



US00D799374S

(12) **United States Design Patent** (10) **Patent No.:** **US D799,374 S**
Zhou et al. (45) **Date of Patent:** **** Oct. 10, 2017**

(54) **COMBINED AMPHIBIOUS VTOL THREE WAY FOLDING CAMERA AND PHONE DRONE**

(71) Applicants: **Dylan T X Zhou**, Tiburon, CA (US);
Tiger T G Zhou, Tiburon, CA (US);
Andrew H B Zhou, San Gabriel, CA (US)

(72) Inventors: **Dylan T X Zhou**, Tiburon, CA (US);
Tiger T G Zhou, Tiburon, CA (US);
Andrew H B Zhou, San Gabriel, CA (US)

(**) Term: **15 Years**

(21) Appl. No.: **29/566,368**

(22) Filed: **May 27, 2016**

Related U.S. Application Data

(63) Continuation-in-part of application No. 14/815,988, filed on Aug. 1, 2015, now Pat. No. 9,342,829, which is a continuation-in-part of application No. 13/760,214, filed on Feb. 6, 2013, now Pat. No. 9,016,565, which is a continuation-in-part of application No. 13/623,944, filed on Sep. 21, 2012, now abandoned, which is a continuation-in-part of (Continued)

(51) **LOC (10) Cl.** **12-07**

(52) **U.S. Cl.**
USPC **D12/16.1**

(58) **Field of Classification Search**
USPC D12/16.1, 319-345; D21/436, 441, 442, D21/443, 446, 447, 448, 449, 450, 451, D21/452, 453, 454; D14/250-252
CPC ... B64C 27/20; B64C 27/08; B64C 2201/104; B64C 2201/021; B64C 2201/128; B64C 2201/024; B64C 2201/141; B64C 2201/108; B64C 39/024

See application file for complete search history.

(56) **References Cited**

U.S. PATENT DOCUMENTS

D189,462 S * 12/1960 Vogt D12/329
D193,369 S * 8/1962 Walker D12/330

(Continued)

Primary Examiner — Robert M Spear

Assistant Examiner — Marissa J Cash

(74) *Attorney, Agent, or Firm* — Steven A. Nielsen;

www.NielsenPatents.com

(57) **CLAIM**

The ornamental design for a combined amphibious VTOL three way folding camera and phone drone, as shown and described.

DESCRIPTION

FIG. 1 is a top perspective view of a combined amphibious VTOL three way folding camera and phone drone, showing the new design;

FIG. 2 is a top view thereof;

FIG. 3 is a bottom view thereof;

FIG. 4 is a front view thereof;

FIG. 5 is a back view thereof;

FIG. 6 is a right side view thereof;

FIG. 7 is a left side view thereof;

FIG. 8 is a half folding view of folding the phone at bottom thereof;

FIG. 9 is a half folding view of folding the phone in the middle thereof;

FIG. 10 is a half folding view of folding the phone on the top thereof;

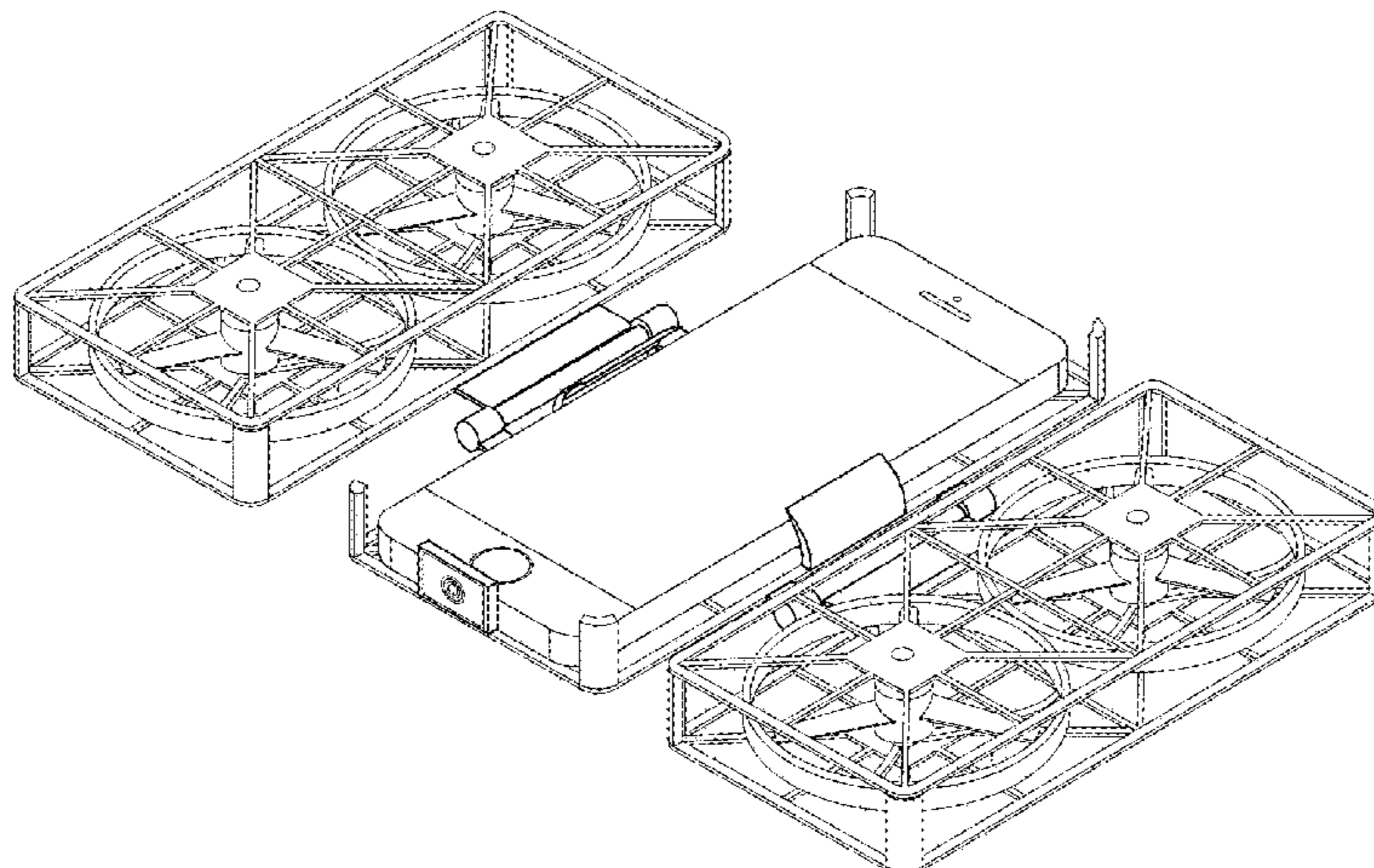
FIG. 11 is a perspective view of folding the phone in the middle thereof;

FIG. 12 is a perspective view of folding the phone on the top thereof;

FIG. 13 is a perspective view of folding the phone at bottom thereof; and,

FIG. 14 is a perspective view of tilted camera for downward photography thereof.

1 Claim, 14 Drawing Sheets



Related U.S. Application Data

application No. 13/620,775, filed on Sep. 15, 2012, which is a continuation-in-part of application No. 13/343,044, filed on Jan. 4, 2012, now abandoned, which is a continuation-in-part of application No. 13/287,279, filed on Nov. 2, 2011, now abandoned, which is a continuation-in-part of application No. 12/749,412, filed on Mar. 29, 2010, now abandoned, application No. 29/566,368, which is a continuation-in-part of application No. 29/564,817, filed on May 16, 2016, which is a continuation-in-part of application No. 29/547,912, filed on Dec. 9, 2015.

(56)

References Cited

U.S. PATENT DOCUMENTS

D196,213 S * 9/1963 Paxhla D12/330
 D373,771 S * 9/1996 Messelhi D13/184
 D397,200 S * 8/1998 Wang D23/353
 D408,907 S * 4/1999 Moreno D23/381
 D424,684 S * 5/2000 Swyst D23/351
 D425,194 S * 5/2000 Swyst D23/351
 D425,979 S * 5/2000 Lozzio D23/370
 D438,299 S * 2/2001 Gonzales D23/380
 D454,191 S * 3/2002 Swyst D23/411
 D455,746 S * 4/2002 Ronzani D14/344
 D516,807 S * 3/2006 Richardson D3/273
 D606,986 S * 12/2009 de Jong D14/250
 D634,313 S * 3/2011 Fitzpatrick D14/250
 D671,932 S * 12/2012 Azoulay D14/250
 D674,801 S * 1/2013 Wharram D13/102
 D685,785 S * 7/2013 Seoc D14/353
 D708,272 S * 7/2014 Schmelter D12/16.1
 D729,219 S * 5/2015 Yung D14/250

D745,505 S * 12/2015 Barfoot D14/250
 D747,775 S * 1/2016 Colin D12/16.1
 D754,115 S * 4/2016 Lin D14/250
 D755,764 S * 5/2016 Dong D14/250
 D756,342 S * 5/2016 Lee D14/250
 D764,451 S * 8/2016 Hung D14/250
 D765,642 S * 9/2016 Bulkley D14/250
 D771,027 S * 11/2016 Prstojevich D14/250
 D771,611 S * 11/2016 Chang D14/250
 D772,756 S * 11/2016 Gambus D12/16.1
 D774,496 S * 12/2016 Kim D14/250
 D776,102 S * 1/2017 Kim D14/250
 D777,159 S * 1/2017 Lee D14/250
 D778,271 S * 2/2017 Stump D14/250
 D784,316 S * 4/2017 Lim D14/250
 D789,347 S * 6/2017 Zamudio D14/250
 2012/0241555 A1 * 9/2012 Savoye A63H 27/12
 244/54
 2013/0292269 A1 * 11/2013 Tages A45C 11/00
 206/37
 2015/0057844 A1 * 2/2015 Callou G05D 1/0204
 701/3
 2015/0144669 A1 * 5/2015 Chang A45C 11/00
 224/230
 2015/0195938 A1 * 7/2015 Witter H05K 5/03
 206/521
 2016/0286128 A1 * 9/2016 Zhou H04N 5/23248
 2016/0340021 A1 * 11/2016 Zhang B64C 27/08
 2016/0376004 A1 * 12/2016 Claridge B64C 19/00
 701/3
 2017/0057630 A1 * 3/2017 Schwaiger B64C 3/385
 2017/0073065 A1 * 3/2017 Von Novak B64C 27/08
 2017/0081014 A1 * 3/2017 Stock B64C 1/22
 2017/0085840 A1 * 3/2017 Mizushina G06F 3/044
 2017/0113816 A1 * 4/2017 High B64F 3/00

* cited by examiner

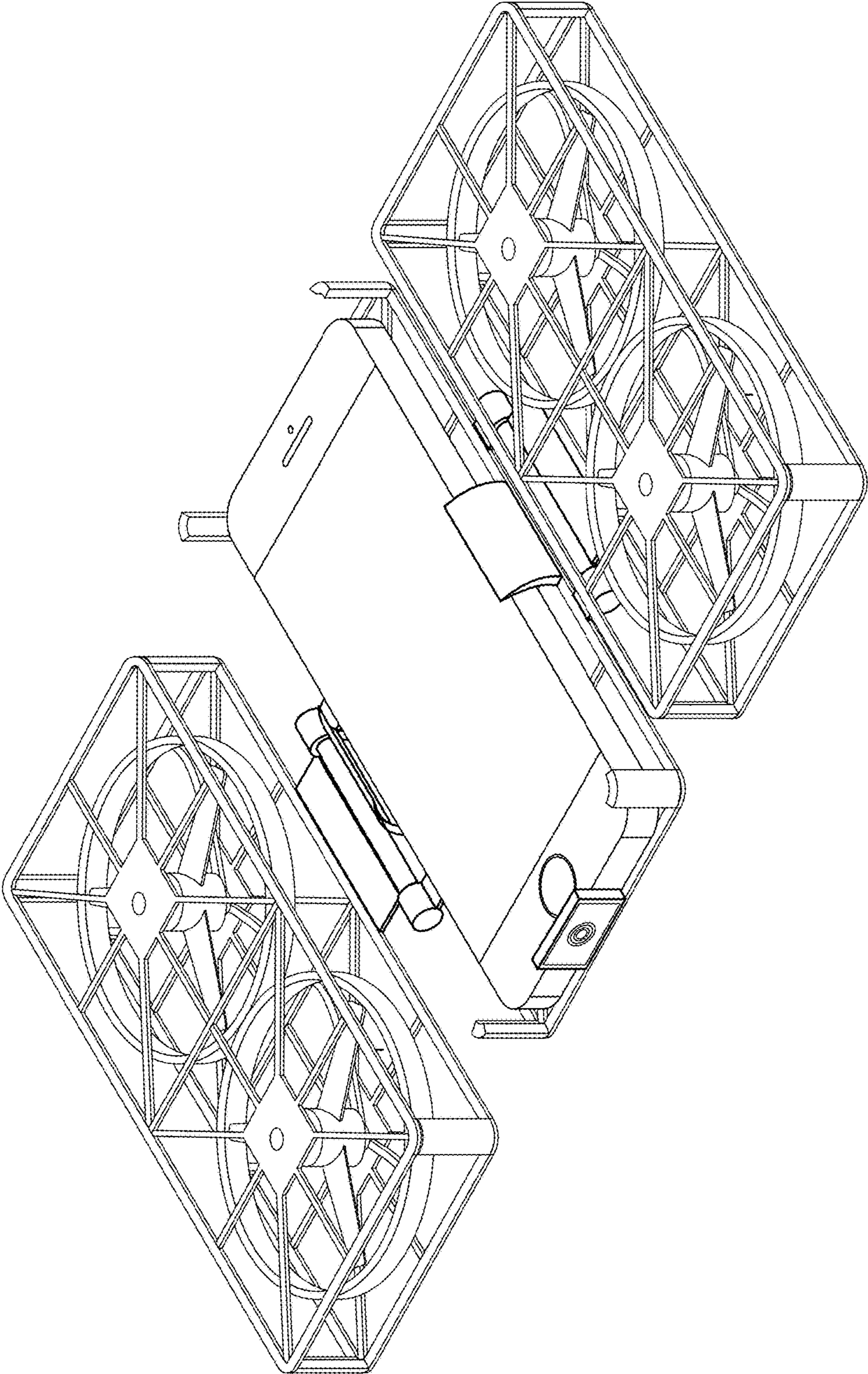


FIG. 1

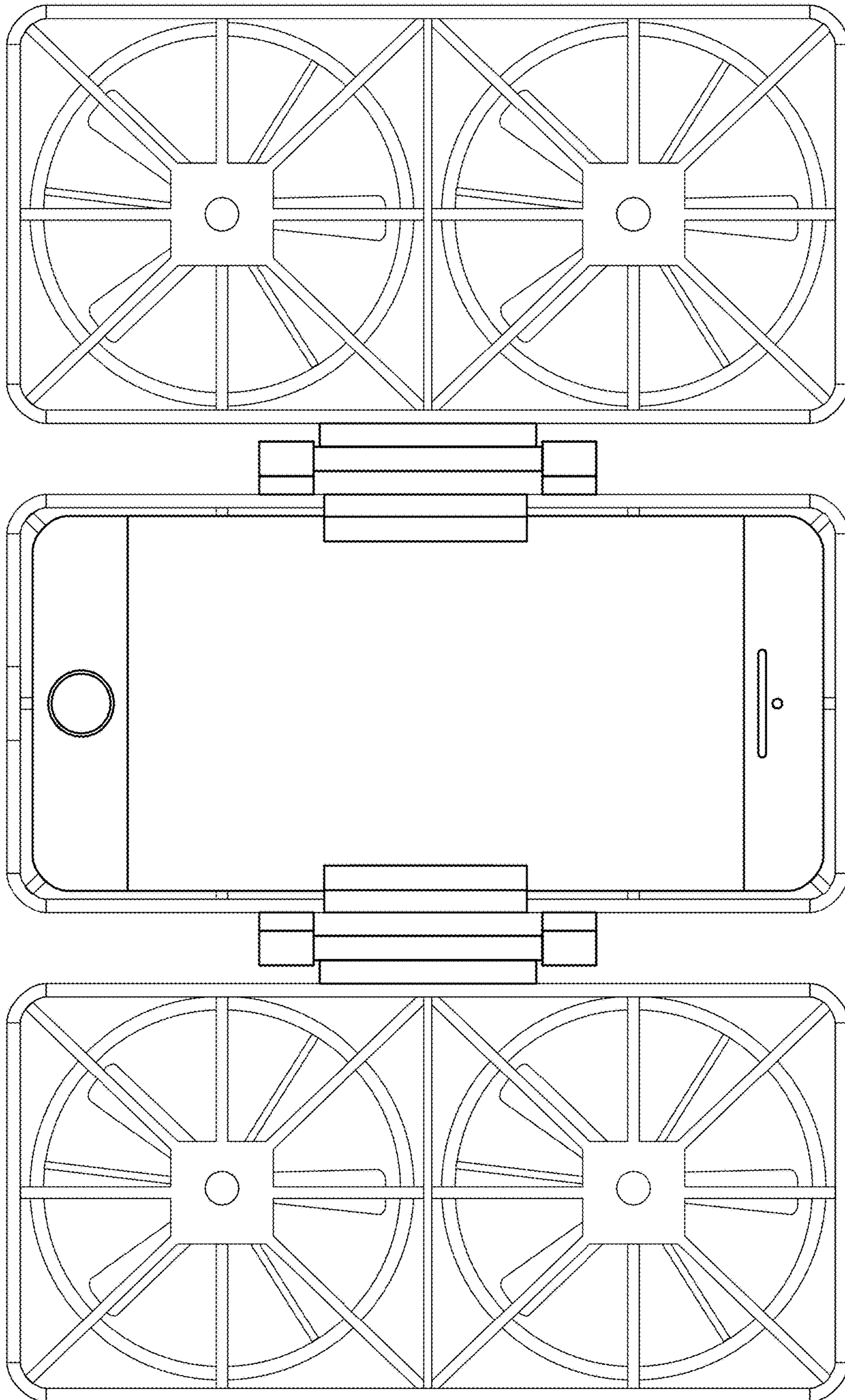


FIG. 2

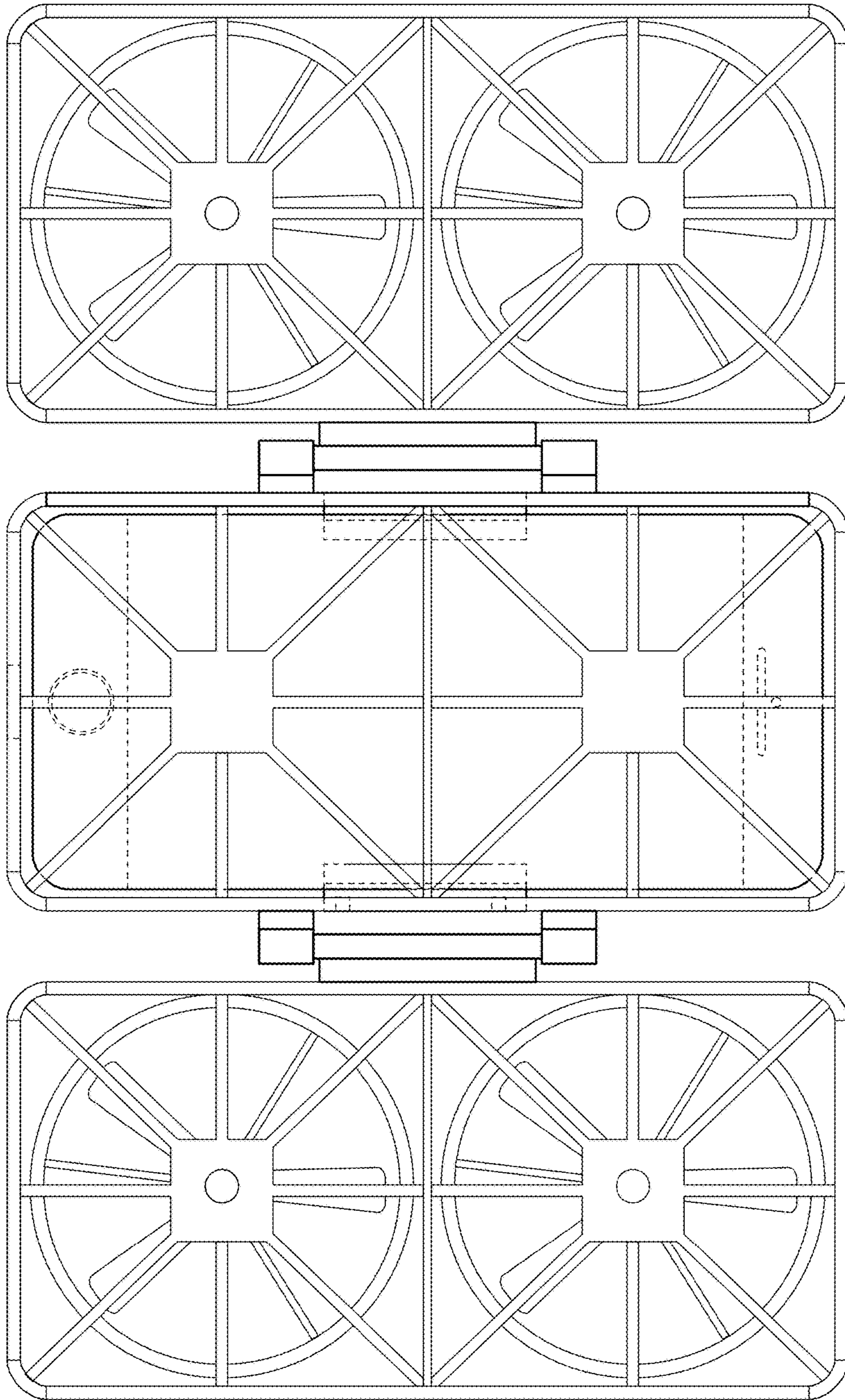


FIG. 3

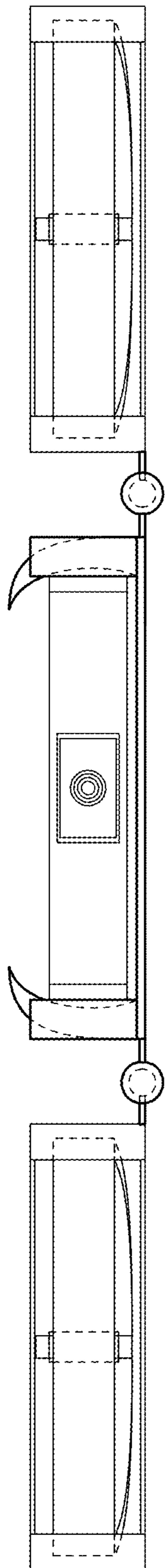


FIG. 4

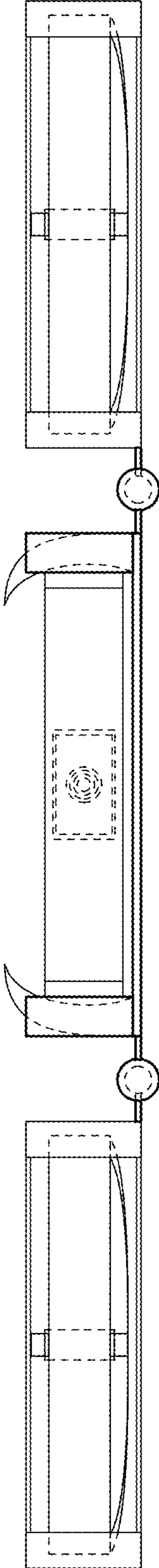


FIG. 5

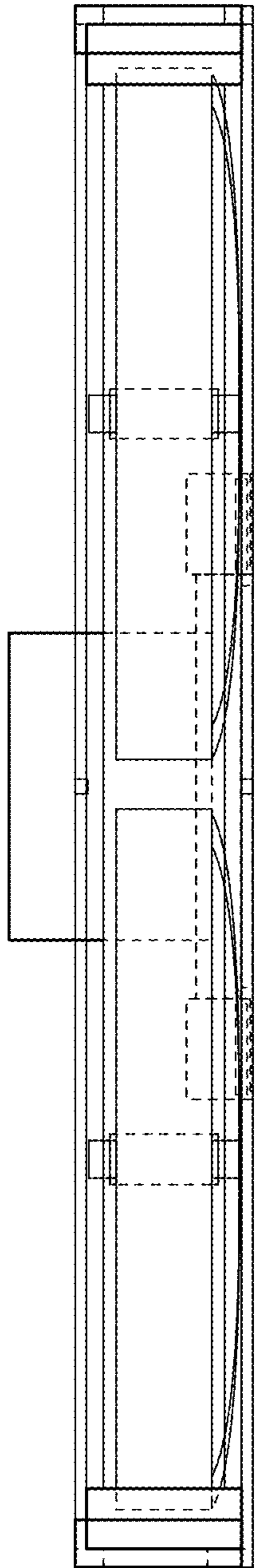


FIG. 6

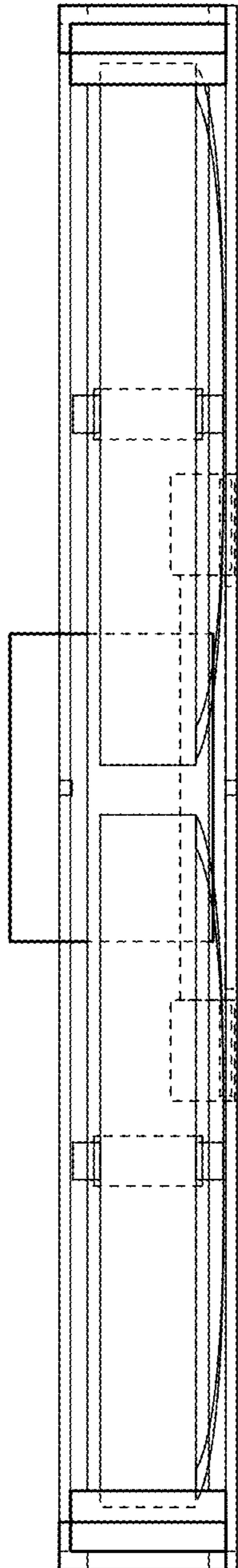


FIG. 7

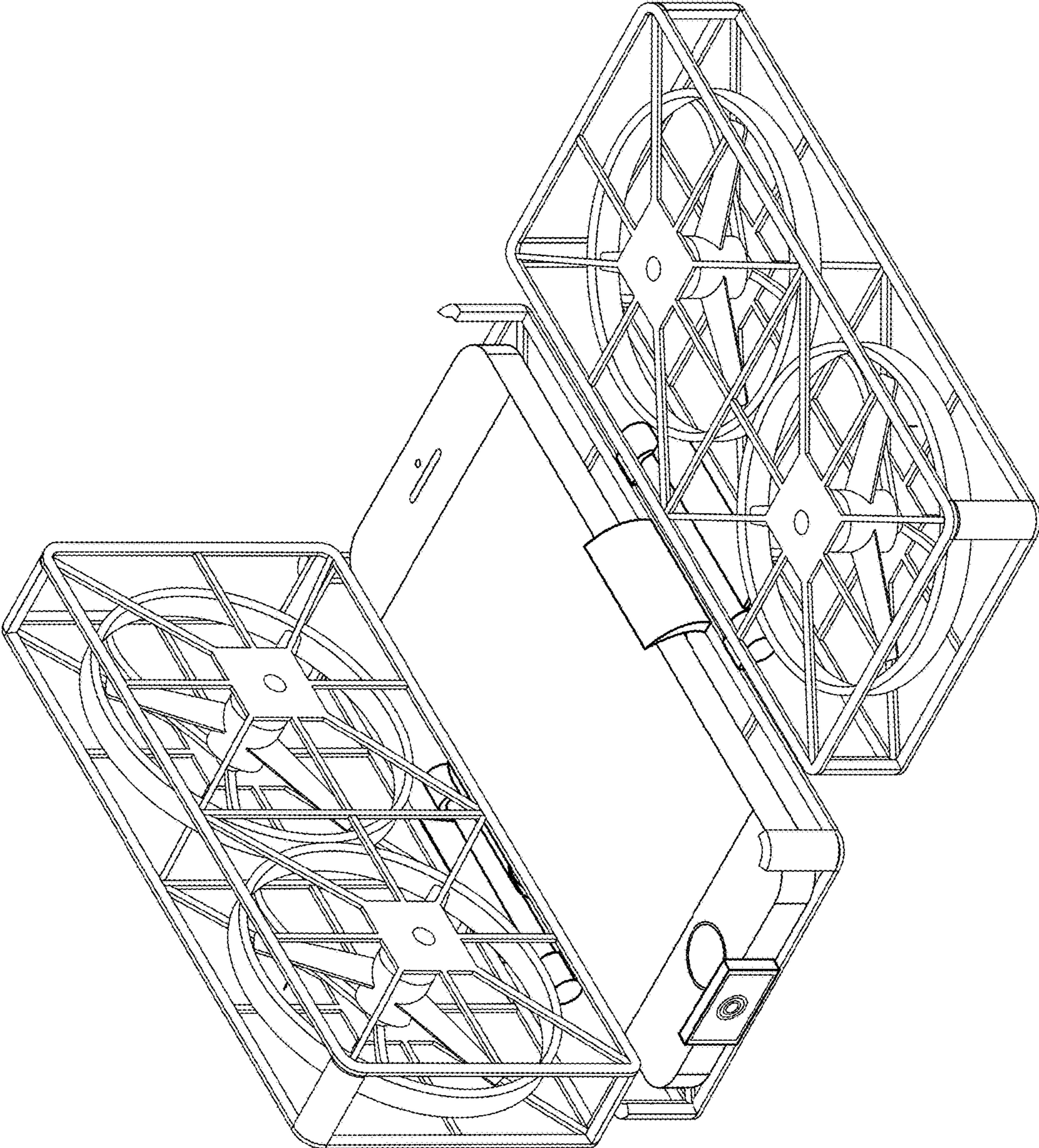


FIG. 8

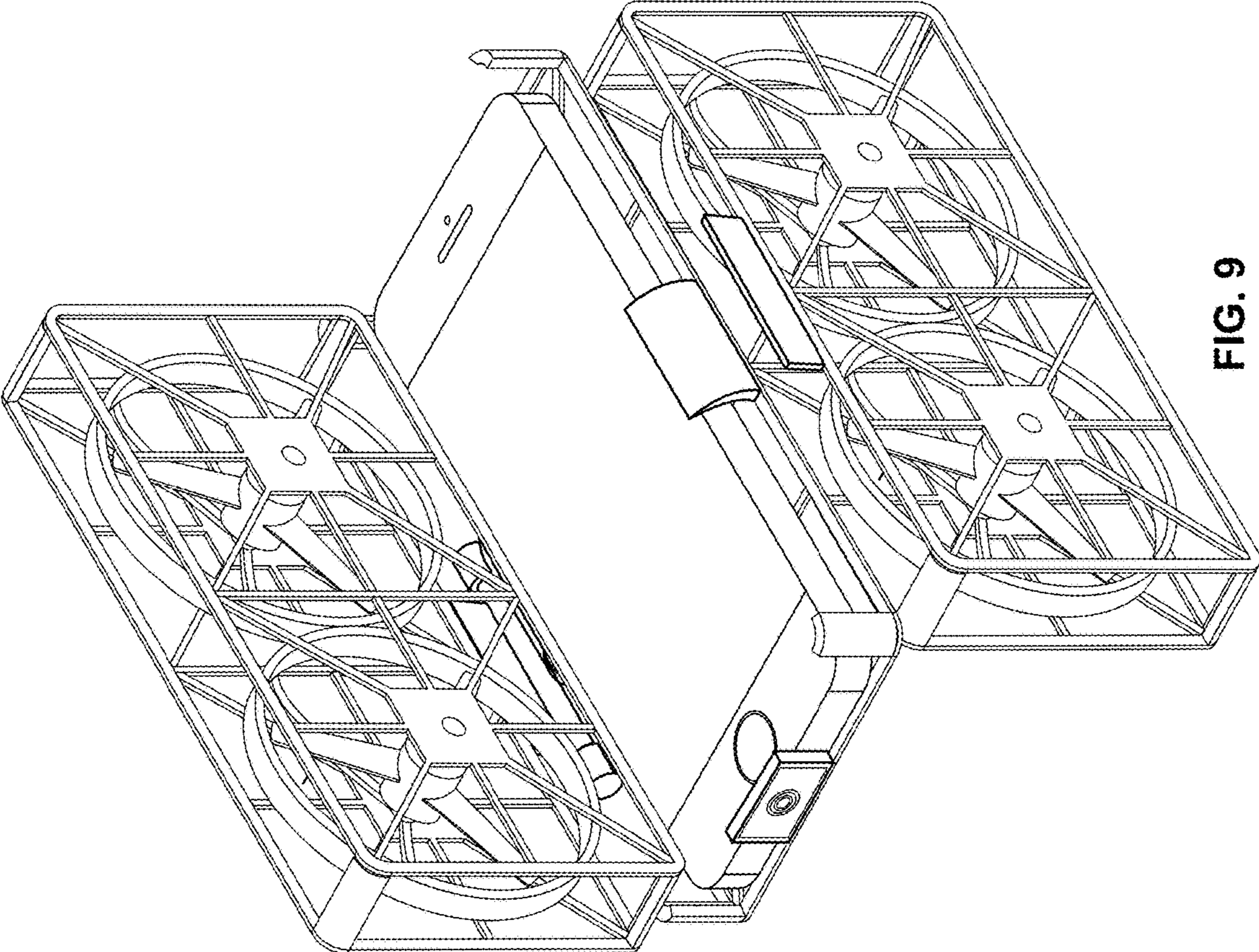


FIG. 9

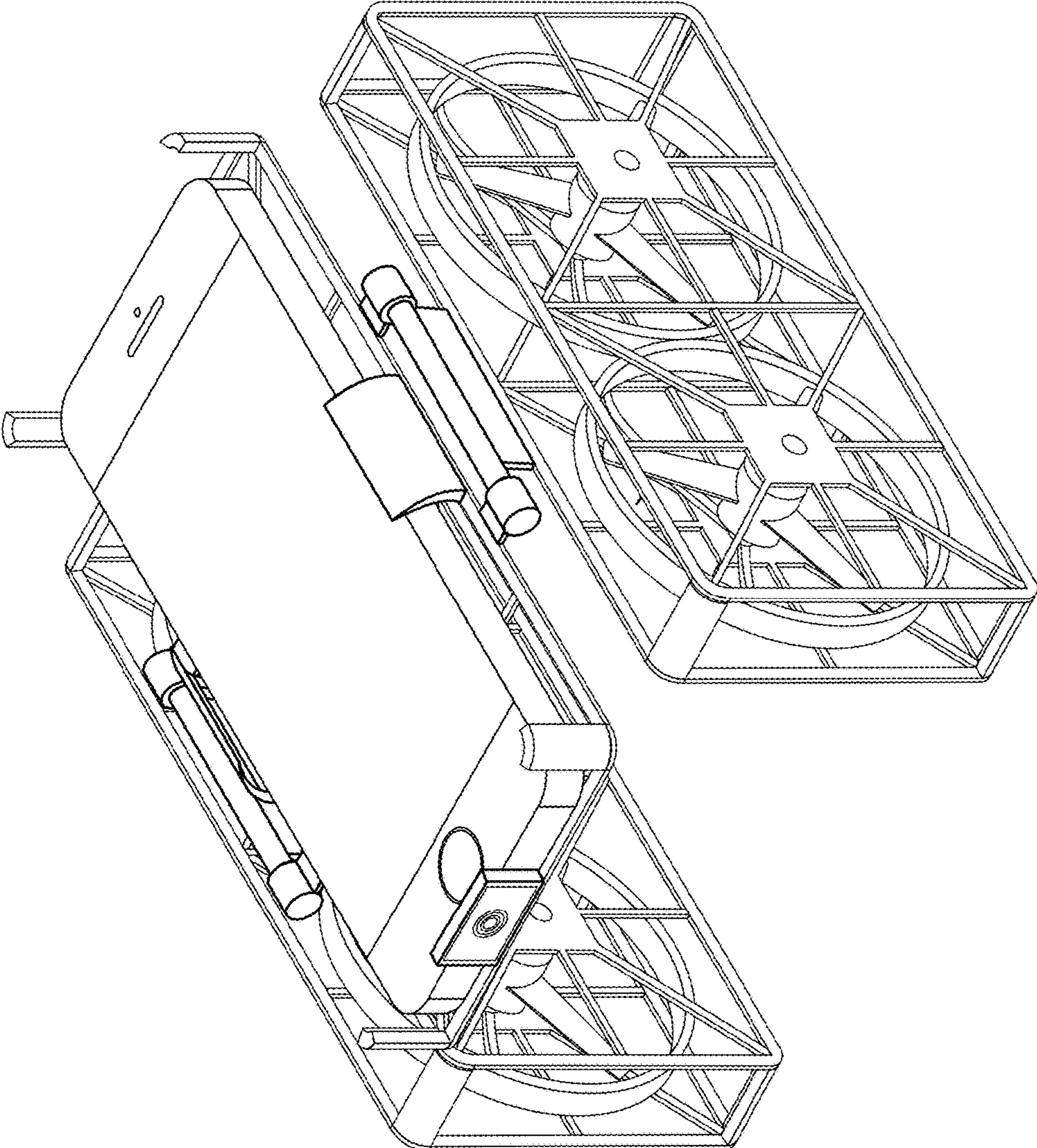


FIG. 10

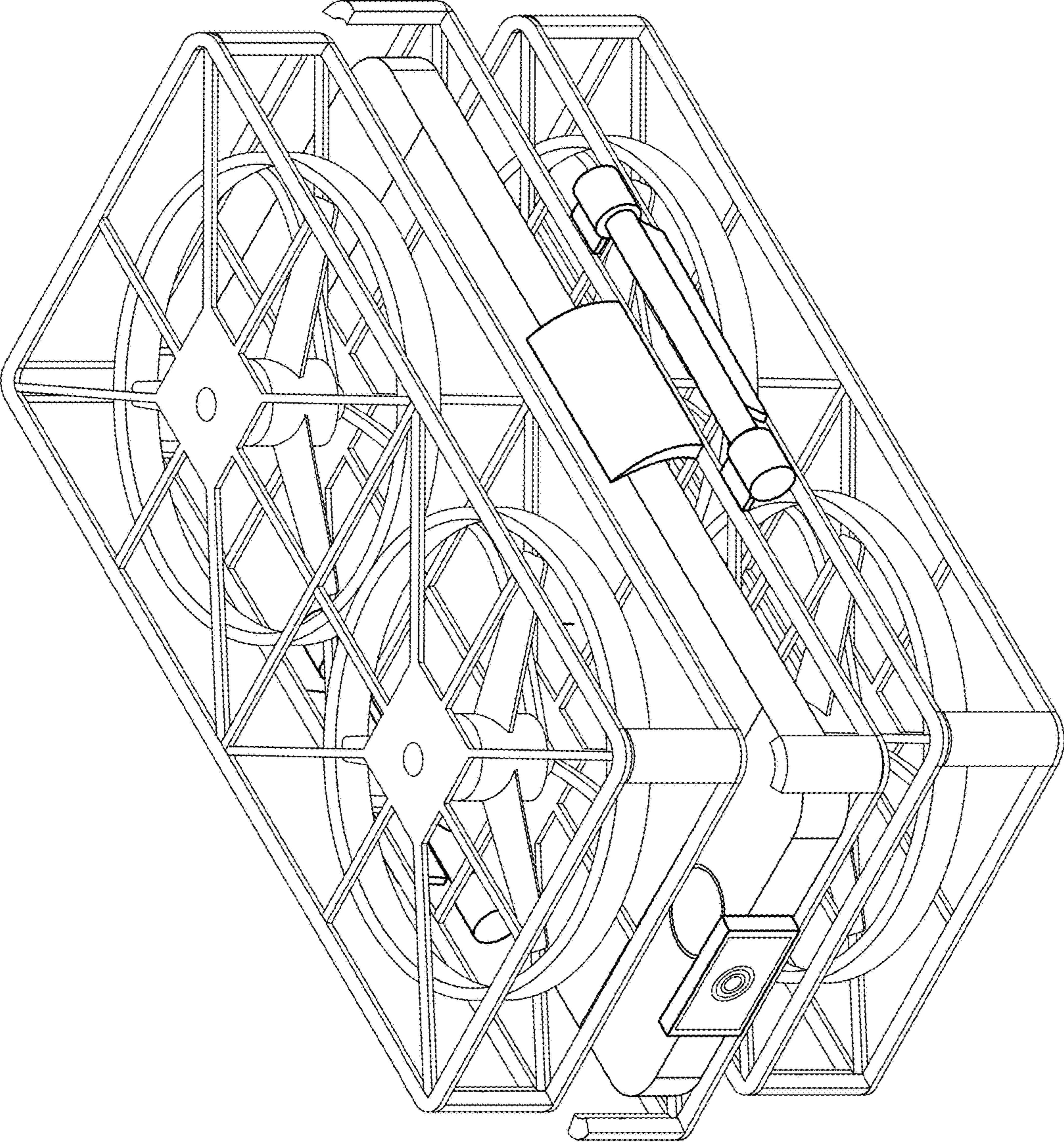


FIG. 11

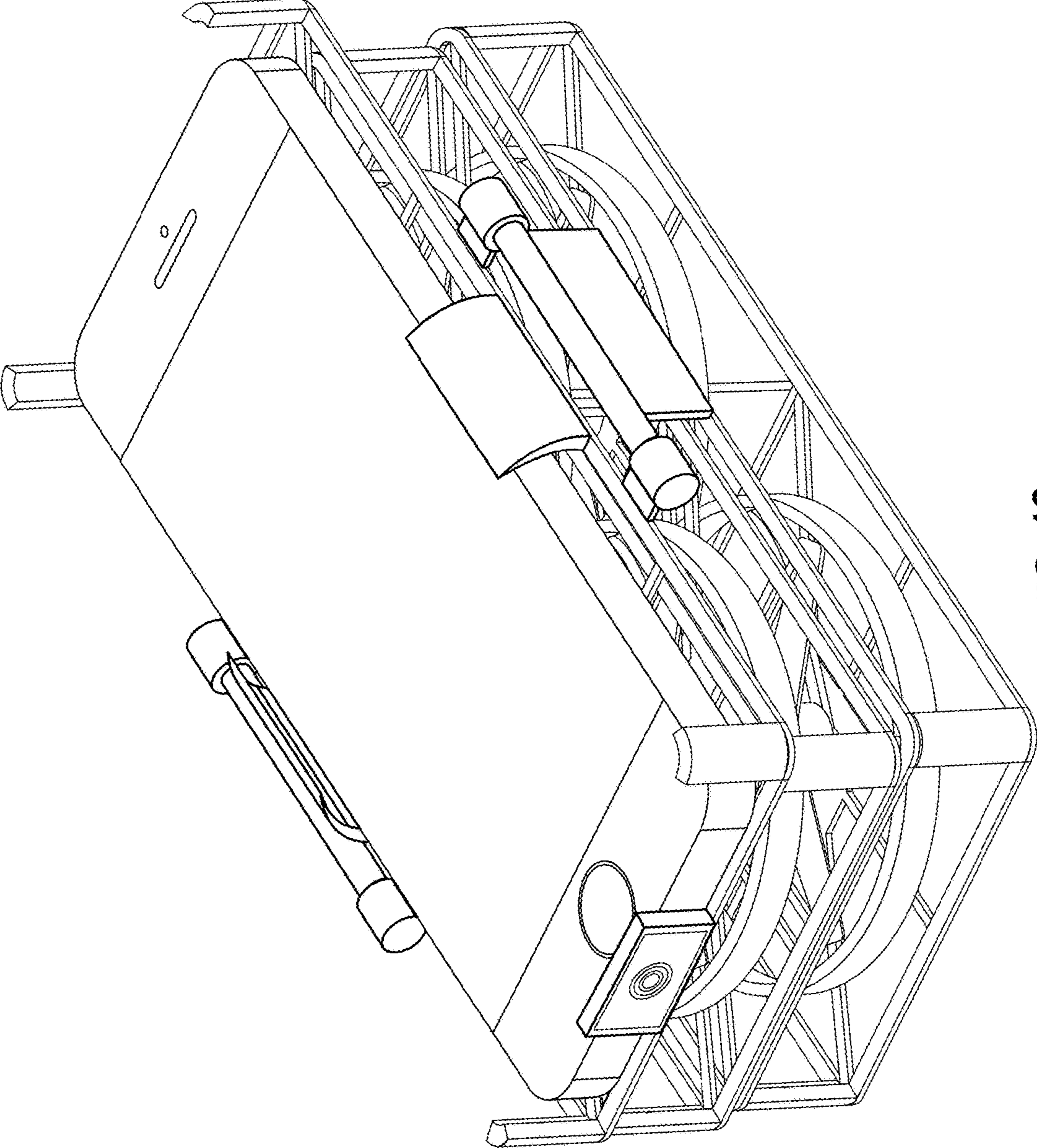


FIG. 12

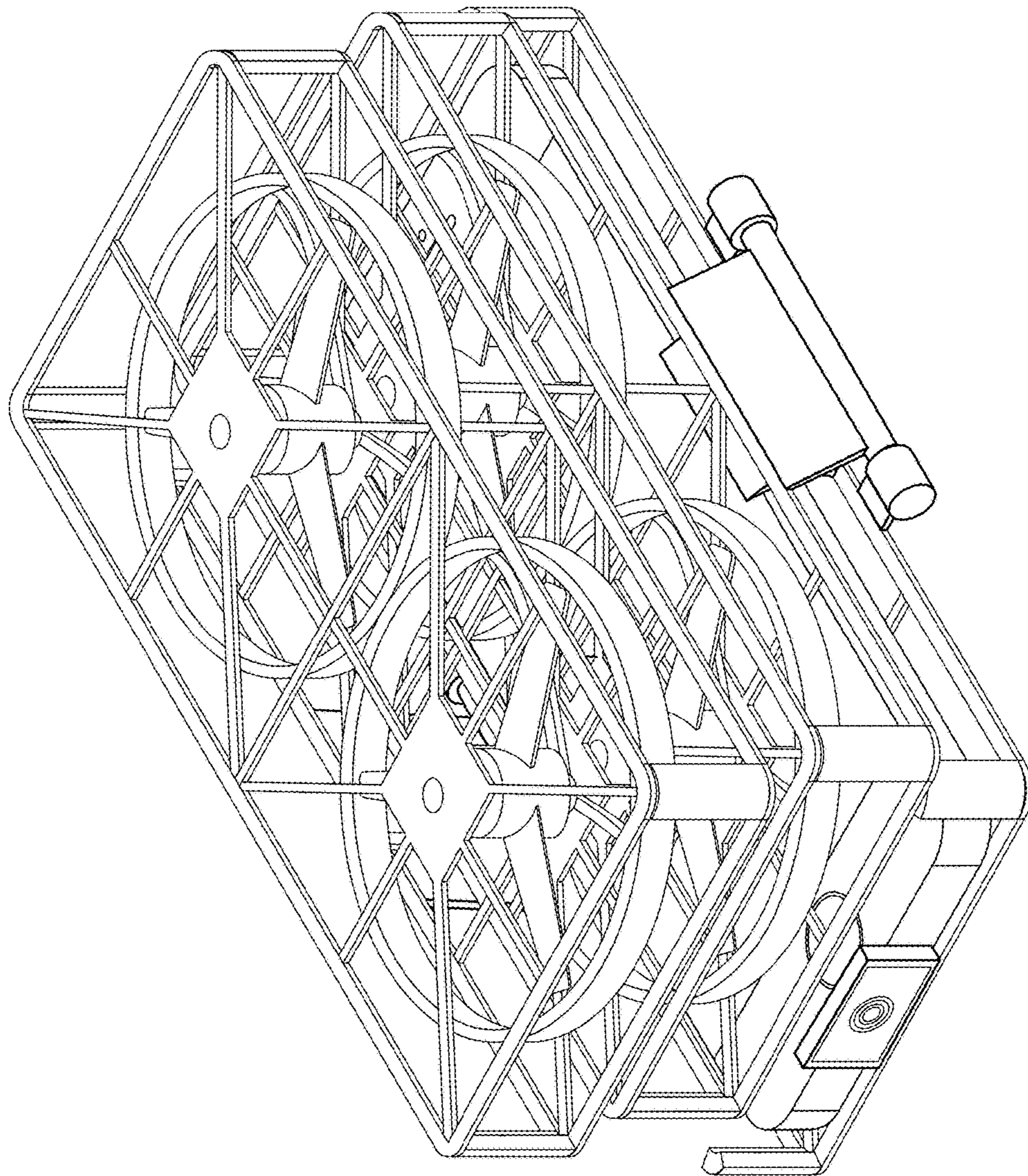


FIG. 13

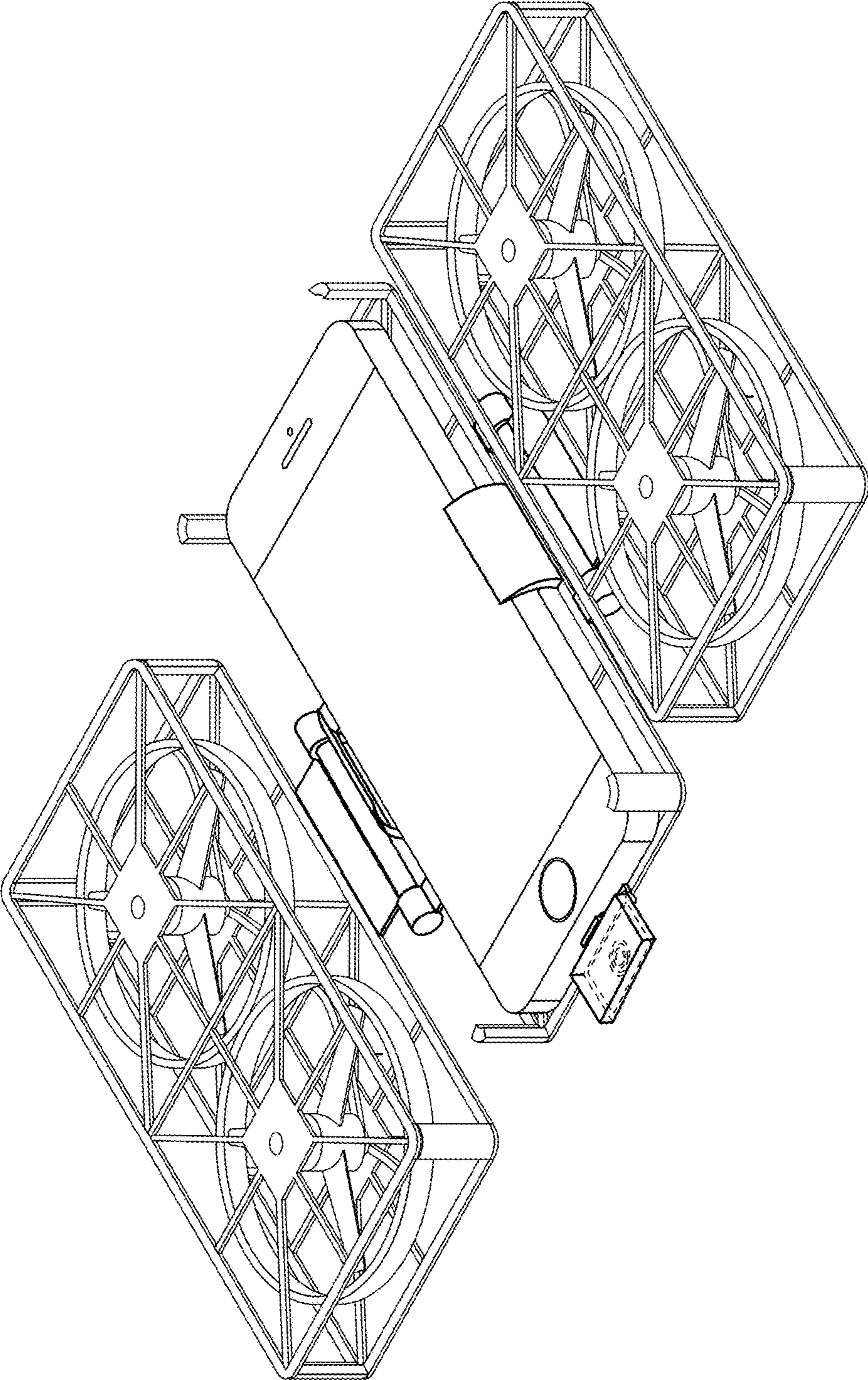


FIG. 14