



US00D799372S

(12) **United States Design Patent**  
**Paik et al.**

(10) **Patent No.:** **US D799,372 S**

(45) **Date of Patent:** **\*\* Oct. 10, 2017**

(54) **ROLLER FOR WEBBING**

(71) Applicant: **WOJIN PLASTIC CO., LTD,**  
Guri-si, Gyeonggi-do (KR)

(72) Inventors: **Jisook Paik**, Seoul (KR); **Nan Hee Paik**, Seoul (KR); **Ji Hye Paik**, Seoul (KR); **Ji Won Son**, Seoul (KR)

(73) Assignee: **WOJIN PLASTIC CO., LTD,**  
Guri-si (KR)

(\*\*) Term: **15 Years**

(21) Appl. No.: **29/570,844**

(22) Filed: **Jul. 12, 2016**

(30) **Foreign Application Priority Data**

Jan. 12, 2016 (KR) ..... 30-2016-0001312

(51) **LOC (10) Cl.** ..... **02-07**

(52) **U.S. Cl.**  
USPC ..... **D11/218**

(58) **Field of Classification Search**  
USPC ..... D11/1-2, 200-201, 206-210, 214-219;  
24/163 R, 169-171, 173, 177-179, 191,  
24/194-195, 197, 198, 200, 614-616,  
24/625, 630, 578.11, 578.1, 163 K, 114;  
D8/349, 395, 356  
CPC ..... A44B 11/06; A44B 11/26; A44B 11/25;  
A41F 11/04  
See application file for complete search history.

(56) **References Cited**

**U.S. PATENT DOCUMENTS**

- 4,825,515 A \* 5/1989 Wolterstorff, Jr. ... A44B 11/263  
24/196
- 4,831,694 A \* 5/1989 Kong ..... A44B 11/266  
24/606
- D373,747 S \* 9/1996 Anscher ..... D11/216
- D405,726 S \* 2/1999 Krauss ..... D11/218

- 5,893,199 A \* 4/1999 Anscher ..... A44B 11/006  
24/170
- 6,351,876 B1 \* 3/2002 Uehara ..... A44B 11/266  
24/614
- 6,421,889 B1 \* 7/2002 Chien ..... A44B 11/266  
24/614
- 6,457,219 B1 \* 10/2002 Liu ..... A44B 11/266  
24/615
- D538,197 S \* 3/2007 Wemmer ..... D11/216
- D562,728 S \* 2/2008 Downing ..... D11/210
- D563,269 S \* 3/2008 Anscher ..... D11/216

(Continued)

**OTHER PUBLICATIONS**

Quick Attach Web Roller, WoojinPlastic.com, [online], [site visited Jul. 24, 2017]. <URL: <http://www.wojinplastic.com/products/detail/438/page:3/brand:new>>.\*

(Continued)

*Primary Examiner* — T. Chase Nelson

*Assistant Examiner* — Jonathan J Han

(74) *Attorney, Agent, or Firm* — Novick, Kim & Lee, PLLC; Jae Youn Kim

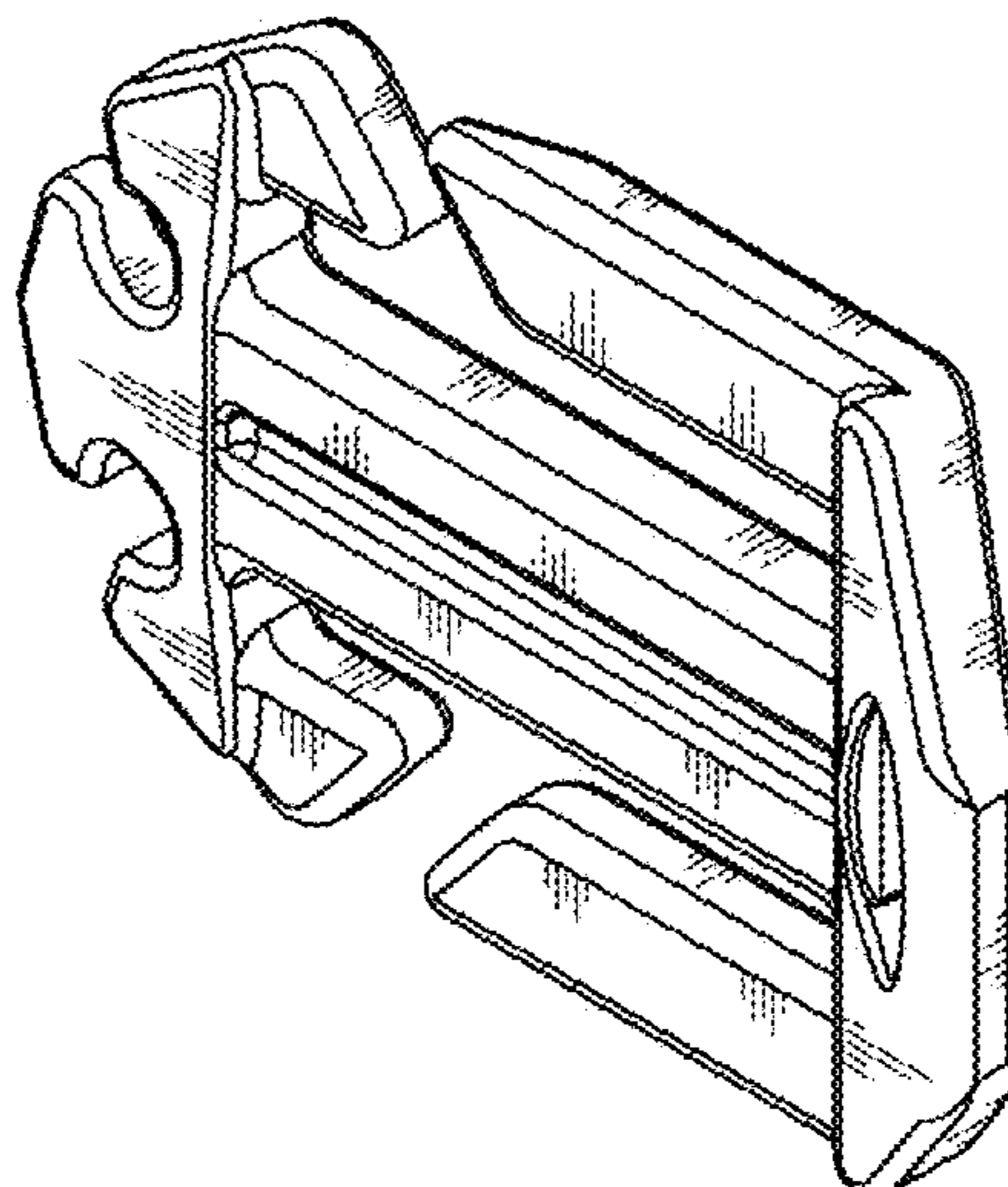
(57) **CLAIM**

We claim, the ornamental design for a roller for webbing, as shown and described.

**DESCRIPTION**

FIG. 1 is a perspective view of a roller for webbing, showing our new design;  
FIG. 2 is a front elevational view thereof;  
FIG. 3 is a rear elevational view thereof;  
FIG. 4 is a left side elevational view thereof;  
FIG. 5 is a right side elevational view thereof;  
FIG. 6 is a top plan view thereof;  
FIG. 7 is a bottom plan view thereof; and,  
FIG. 8 is a sectional view thereof along line 8-8 as shown in FIG. 2.

**1 Claim, 4 Drawing Sheets**



(56)

References Cited

U.S. PATENT DOCUMENTS

D633,415 S \* 3/2011 Grimm ..... D11/218  
 D668,178 S \* 10/2012 Kao ..... D11/216  
 D709,797 S \* 7/2014 Iannello ..... D11/218  
 D710,250 S \* 8/2014 Iannello ..... D11/218  
 D718,186 S \* 11/2014 Iannello ..... D11/218  
 9,072,344 B2 \* 7/2015 Yen ..... A44B 11/005  
 2004/0055122 A1 \* 3/2004 Matoba ..... A44B 11/266  
 2005/0204522 A1 \* 9/2005 Paik ..... A44B 11/266  
 2006/0172038 A1 \* 8/2006 Funo ..... B29C 45/4435  
 2007/0079486 A1 \* 4/2007 Paik ..... A44B 11/263  
 2007/0089277 A1 \* 4/2007 Bacalso ..... A44B 11/2503  
 2007/0089280 A1 \* 4/2007 Pontaoe ..... A44B 11/266  
 2007/0204441 A1 \* 9/2007 Saitsu ..... A44B 11/2534  
 2008/0086853 A1 \* 4/2008 Kolasa ..... A44B 11/266  
 2008/0134479 A1 \* 6/2008 Kolasa ..... A44B 11/266  
 2010/0107370 A1 \* 5/2010 Paik ..... A44B 11/266  
 2010/0115736 A1 \* 5/2010 Paik ..... A44B 11/005  
 2010/0293763 A1 \* 11/2010 Paik ..... A44B 11/266  
 2011/0173783 A1 \* 7/2011 Kaneko ..... A44B 11/266

2013/0081236 A1 \* 4/2013 Parisi ..... A44B 11/266  
 2014/0317893 A1 \* 10/2014 Takahashi ..... A44B 11/2546  
 2015/0074951 A1 \* 3/2015 Grimm ..... A44B 11/006  
 2015/0237970 A1 \* 8/2015 Baile ..... A44B 11/003  
 2015/0351500 A1 \* 12/2015 Kolasa ..... A44B 11/266  
 2016/0278488 A1 \* 9/2016 Kaneko ..... A44B 11/006  
 2017/0127768 A1 \* 5/2017 Paik ..... A44B 11/266

OTHER PUBLICATIONS

25mm Molle Dominator Strap Webbing Elastic Cord Hang Clip, BanngGood.com, [online], [site visited Jul. 24, 2017]. <URL: <https://www.banngood.com/25mm-Molle-Dominator-Strap-Webbing-Buckle-Elastic-Cord-Hang-Clip-p-969478.html>>.\*  
 10pcs/Pack 1" Webbing Sternum Buckle, Top1Price.com, [online], [site visited Jul. 24, 2017]. <URL: <http://www.top1price.com/10pcs-pack-1-webbing-sternum-buckle-web-dominator-elastic-rope-grimloc-d-ring-keychain-hook-molle-tactical-backpack-out-door-travel-kits-militarygreen-676ff701c5e3c9ab.html>>.\*  
 New FBAPluto 8pcs ITW MOLLE Web Dominators with Elastic String (Black) New, Ebay.com, [online], [site visited Jul. 24, 2017]. <URL: <https://www.ebay.com/p/Fbapluto-8pcs-ITW-MOLLE-Web-Dominators-With-Elastic-String-black/1171055787?iid=263104994535>>.\*  
 PZDX6306P Quick Attach Sternum Strap Adjuster, Plastic-Buckle.com, [online], [site visited Jul. 24, 2017]. <URL: <http://www.plastic-buckle.com/pzdx6306p-quick-attach-sternum-strap-adjuster.aspx>>.\*

\* cited by examiner

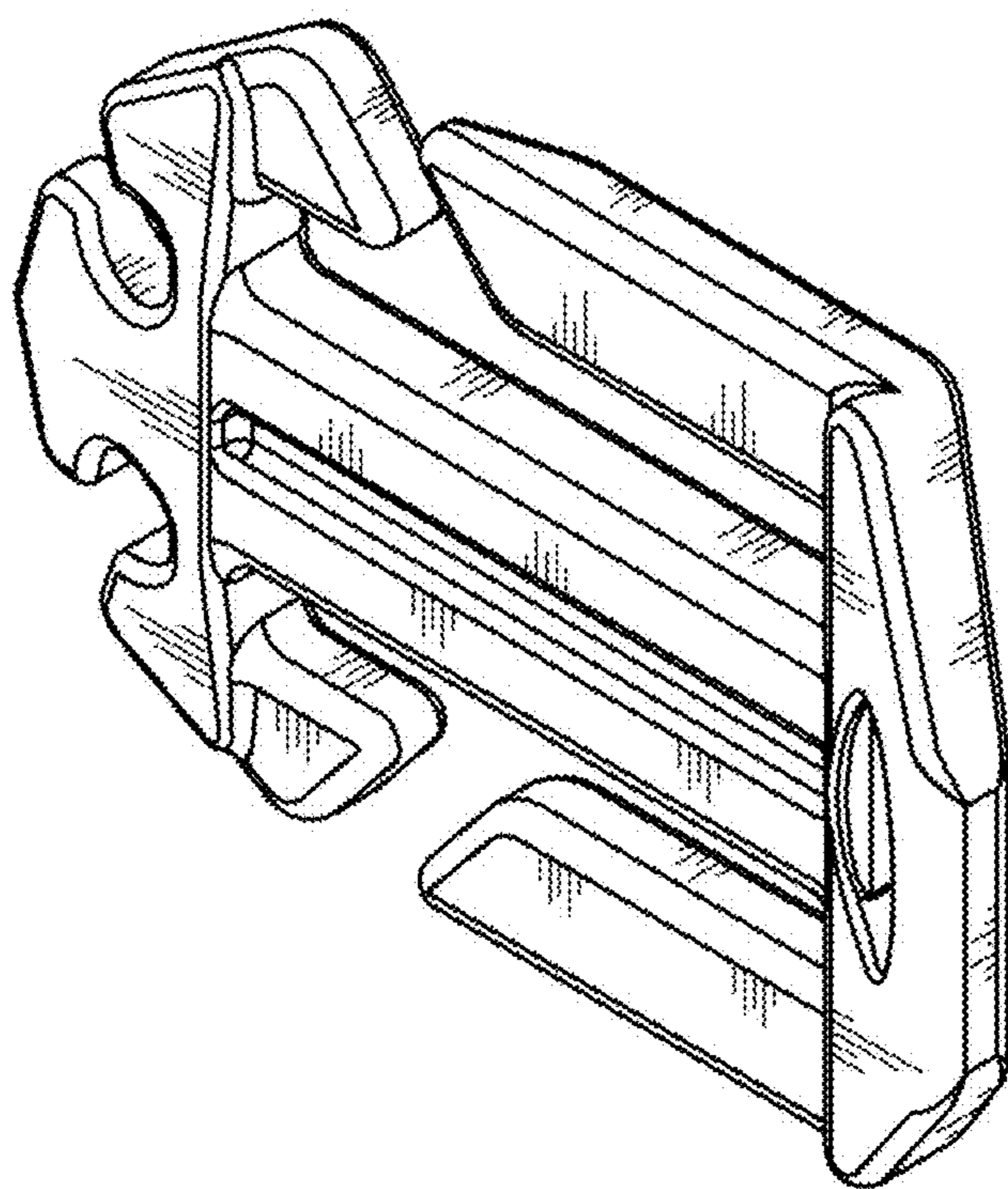


FIG. 1

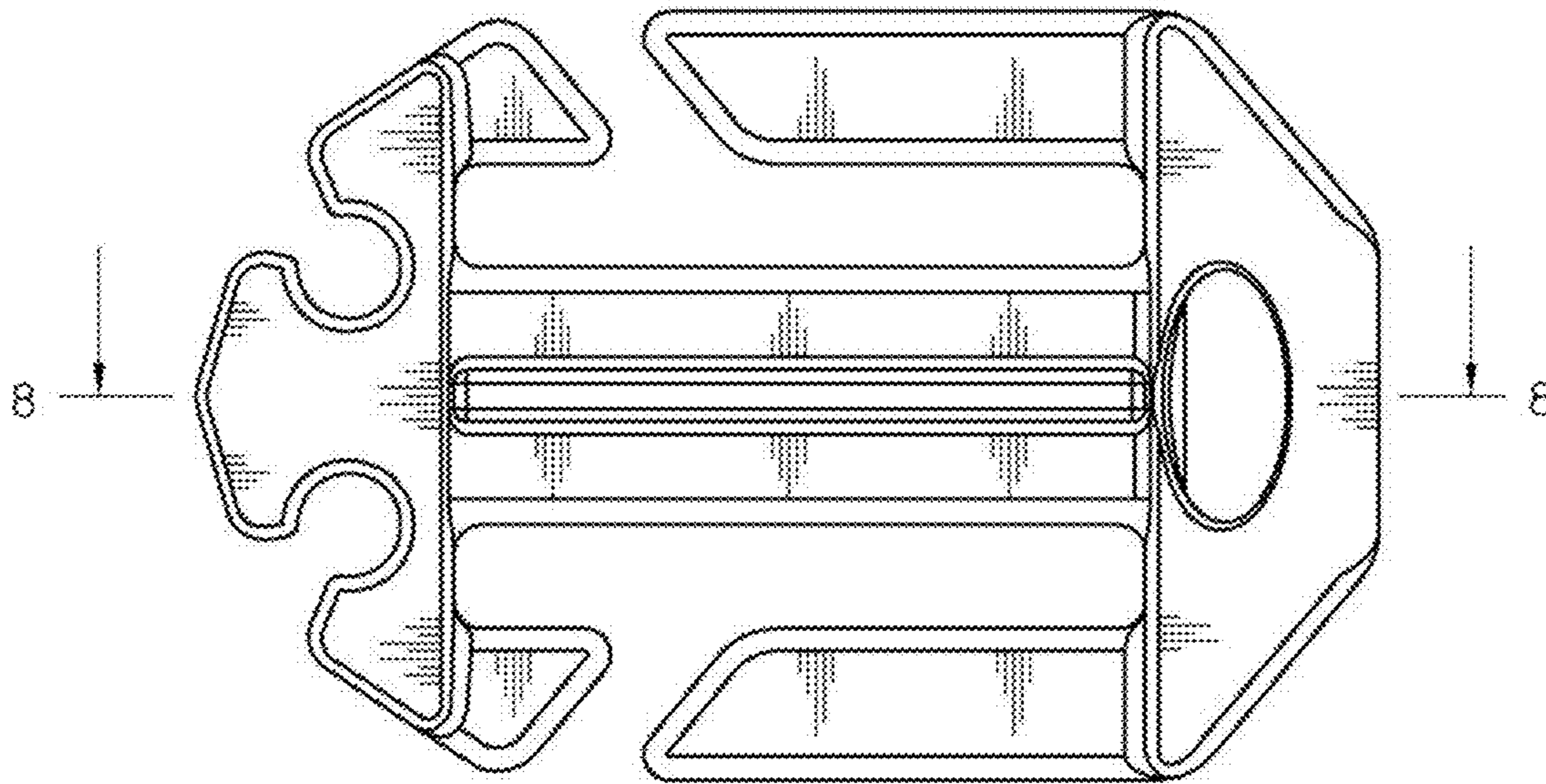


FIG. 2

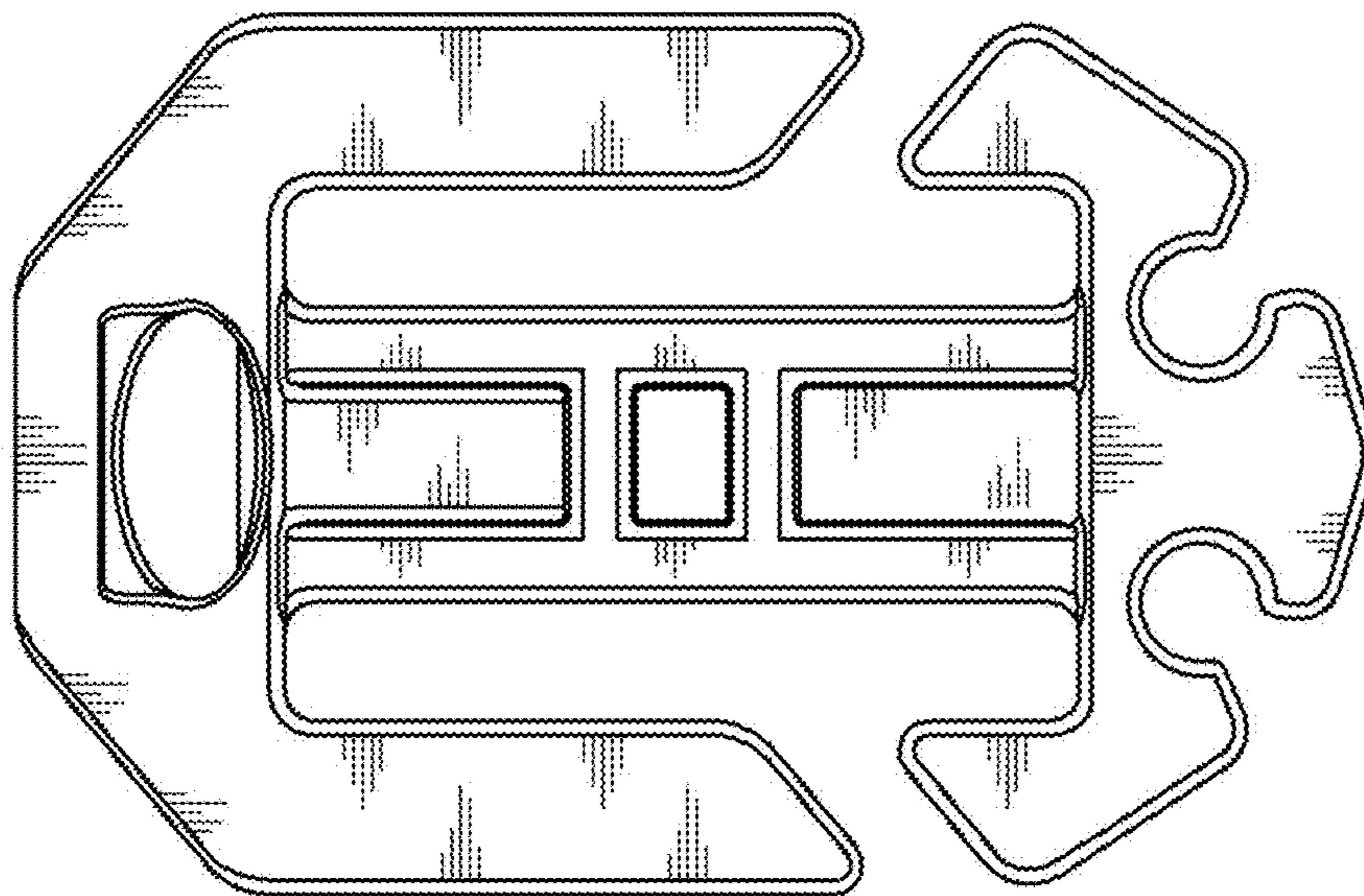
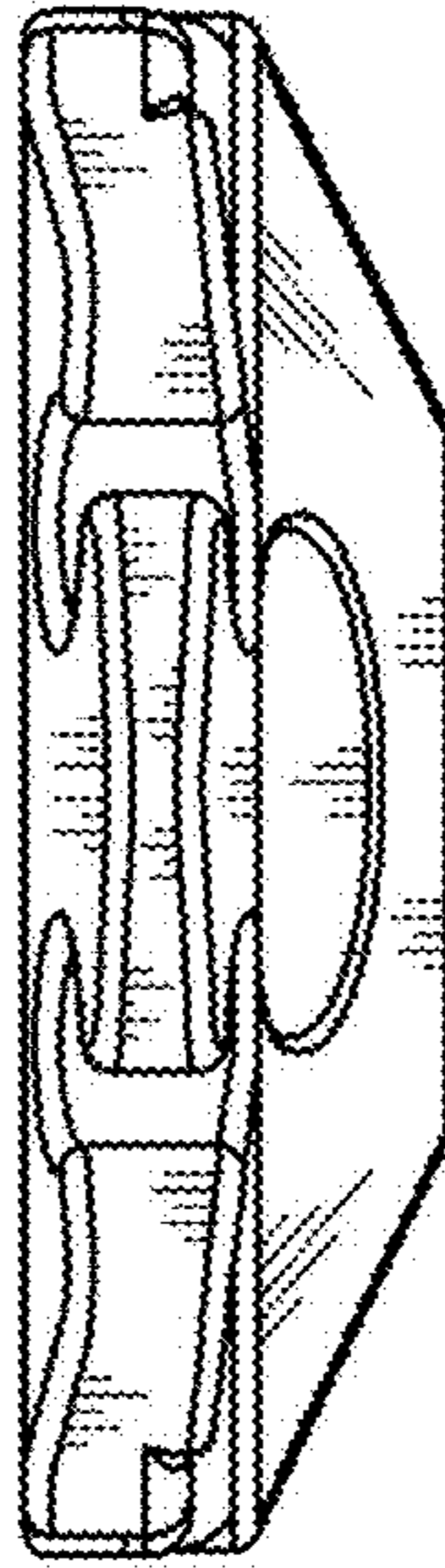
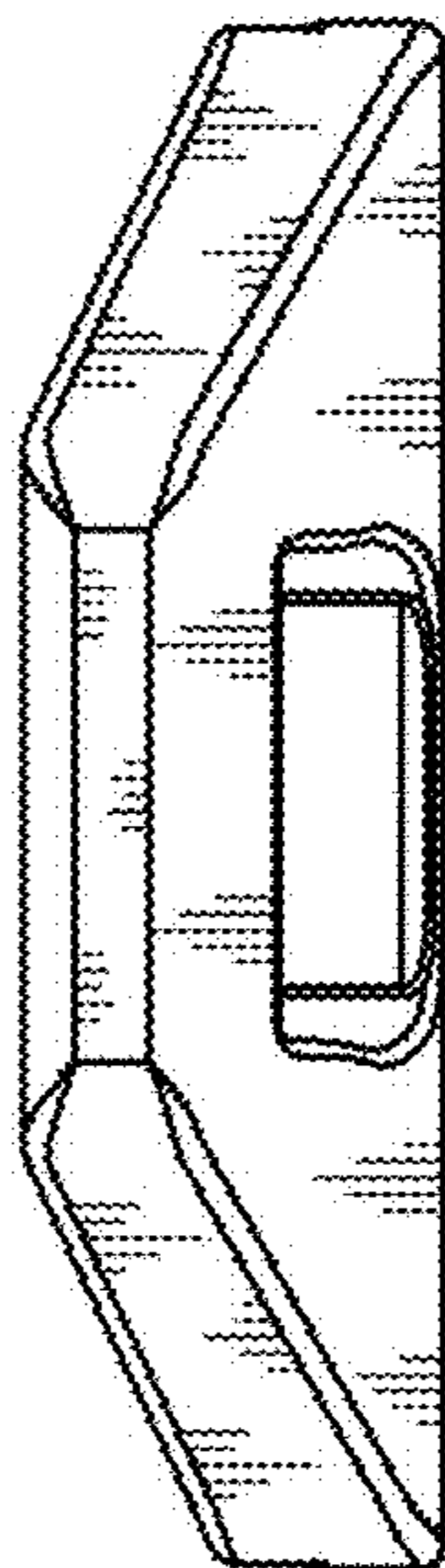


FIG. 3



**FIG. 4**



**FIG. 5**



FIG. 6



FIG. 7



FIG. 8