



US00D799371S

(12) **United States Design Patent**
Chan

(10) **Patent No.:** **US D799,371 S**

(45) **Date of Patent:** **** Oct. 10, 2017**

(54) **BUCKLE**

(71) Applicant: **Duraflex Hong Kong Limited**, Hong Kong (HK)

(72) Inventor: **Yick Fai Chan**, Hong Kong (HK)

(73) Assignee: **Duraflex Hong Kong Limited**, Hong Kong (HK)

(**) Term: **15 Years**

(21) Appl. No.: **29/577,700**

(22) Filed: **Sep. 14, 2016**

(51) **LOC (10) Cl.** **02-07**

(52) **U.S. Cl.**
USPC **D11/216**

(58) **Field of Classification Search**
USPC D11/1-2, 200-201, 206-210, 214-219;
24/163 R, 169-171, 173, 177-179, 191,
24/194-195, 197, 198, 200, 614-616,
24/625, 630, 578.11, 578.1, 163 K, 114;
D8/349, 395, 356
CPC A44B 11/06; A44B 11/26; A44B 11/25;
A41F 11/04
See application file for complete search history.

(56) **References Cited**

U.S. PATENT DOCUMENTS

2,411,381	A	*	11/1946	Manson	B64D 17/30
						244/151 R
D313,205	S	*	12/1990	Mejias	D11/215
D435,807	S	*	1/2001	Anscher	D11/200
D519,410	S	*	4/2006	Luk	D11/200
D527,309	S	*	8/2006	Grimm	D11/218
D562,730	S	*	2/2008	Uehara	D11/218
D626,450	S	*	11/2010	Wong	D11/218
D632,954	S	*	2/2011	Fitzpatrick	D8/395
D636,835	S	*	4/2011	Fitzpatrick	D22/108
D637,942	S	*	5/2011	Lee	D11/218
D638,695	S	*	5/2011	Woodrow	D8/382

D673,880	S	*	1/2013	Boothby	D11/218
D683,262	S	*	5/2013	Fitzpatrick	D11/218
D701,747	S	*	4/2014	Eddisford	D8/349
D702,311	S	*	4/2014	Fitzpatrick	D22/108
D704,095	S	*	5/2014	Kowalewski	D11/200
D721,571	S	*	1/2015	Roberts	D22/108
D725,221	S	*	3/2015	Geissele	D22/108
D728,040	S	*	4/2015	Peterson	D21/680

(Continued)

OTHER PUBLICATIONS

Xlite Wing Clip, DuraflexGroup.com, [online], [site visited Jul. 28, 2017]. <URL: <http://www.duraflexgroup.com/productDetail.aspx?id=541&sort=backpack>>.*

(Continued)

Primary Examiner — T. Chase Nelson
Assistant Examiner — Jonathan J Han

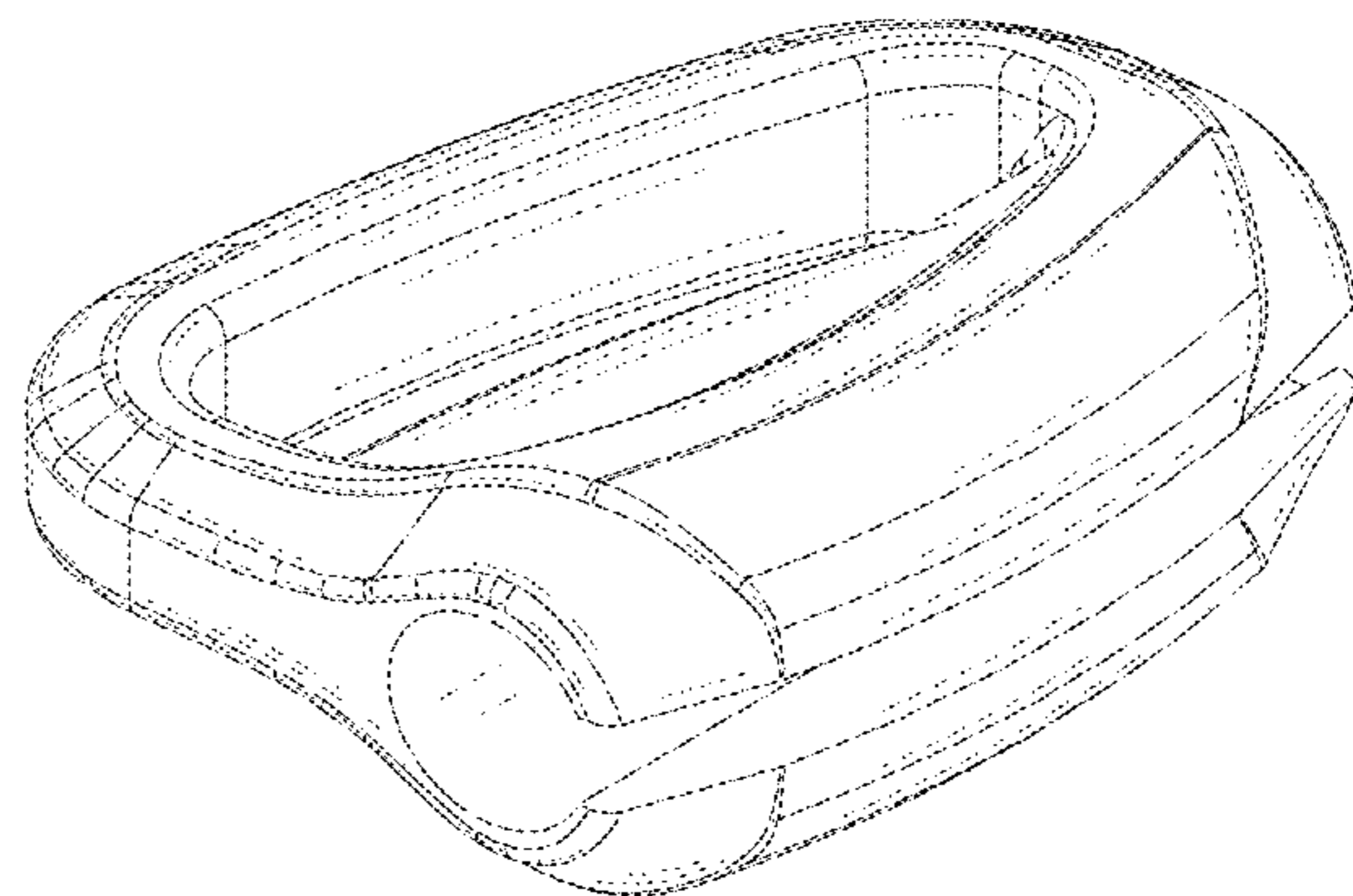
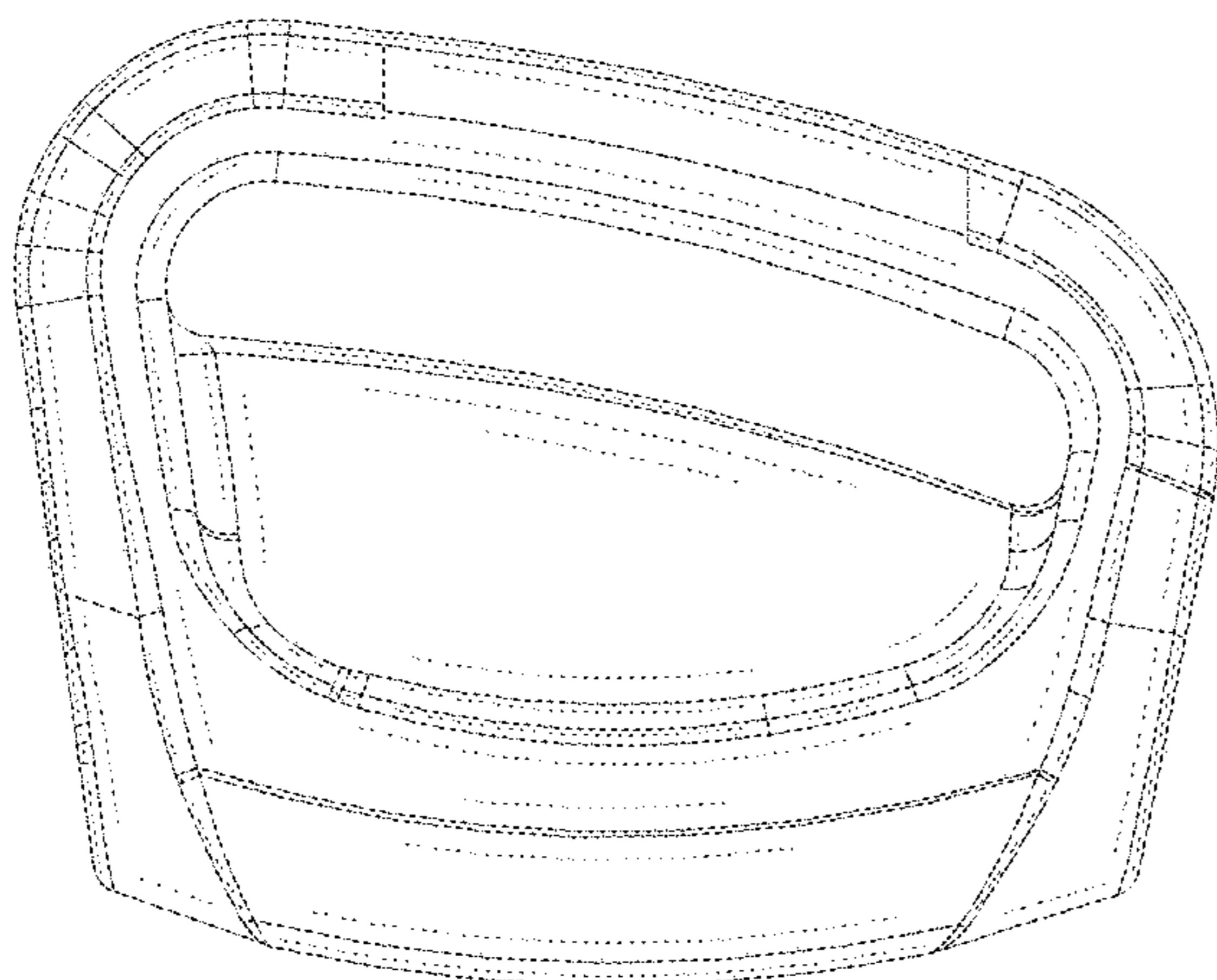
(57) **CLAIM**

The ornamental design for a buckle, as shown and described.

DESCRIPTION

FIG. 1 is a front elevational view of a buckle showing my new design;
FIG. 2 is a rear elevational view thereof;
FIG. 3 is a left side view thereof;
FIG. 4 is a right side view thereof;
FIG. 5 is a top plan view thereof;
FIG. 6 is a bottom plan view thereof;
FIG. 7 is a first perspective view thereof;
FIG. 8 is a second perspective view thereof;
FIG. 9 is a third perspective view thereof;
FIG. 10 is a fourth perspective view thereof;
FIG. 11 is a fifth perspective view thereof;
FIG. 12 is a sixth perspective view thereof;
FIG. 13 is a seventh perspective view thereof; and,
FIG. 14 is an eighth perspective view thereof.

1 Claim, 13 Drawing Sheets



(56)

References Cited

U.S. PATENT DOCUMENTS

D739,303	S *	9/2015	Kinsky	D11/218
D748,013	S *	1/2016	Spater	D11/218
9,266,205	B2 *	2/2016	Hashimoto	B23Q 3/18
D757,602	S *	5/2016	Chan	D11/216
D777,600	S *	1/2017	Lee	D11/87
D790,285	S *	6/2017	Seiders	D7/608
2009/0235497	A1 *	9/2009	Pontaoe	A44B 99/00 24/538
2011/0214261	A1 *	9/2011	Takazawa	A44B 19/303 24/415
2014/0215767	A1 *	8/2014	Ward	F41C 33/002 24/265 AL
2014/0255121	A1 *	9/2014	Pauluk	B60P 7/0807 410/101

OTHER PUBLICATIONS

Xlite Wing Clip with Tube Retainer, DuraflexGroup.com, [online], [site visited Jul. 28, 2017]. <URL: <http://www.duraglexgroup.com/productDetail.aspx?id=582&sort=backpack>>.*

PZDX141-076 Heavy Duty Wing Clip Buckle, Plastic-Buckle.com, [online], [site visited Jul. 28, 2017]. <URL: <http://www.plastic-buckle.com/pzdx141-076-heavy-duty-wing-clip-buckle.aspx>>.*

Alula Xlite Wing Clip, DuraflexGroup.com, [online], [site visited Jul. 28, 2017]. <URL: <http://duraflexgroup.com/productDetail.aspx?id=617&sort=backpack>>.*

Mares Icon HD D-Ring Attachment Clip, LeisurePro.com, [online], [site visited Jul. 28, 2017]. <URL: <http://www.leisurepro.com/p-mrsihdr/mares-icon-hd-d-ring-attachment-clip>>.*

Backpack EDC Shackle Snap D-Ring Clip, Lazada.com.ph, [online], [site visited Jul. 28, 2017]. <URL: <http://www.lazada.com.ph/backpack-edc-shackle-snap-d-ring-clip-key-ring-green-3314644.html>>.*

* cited by examiner

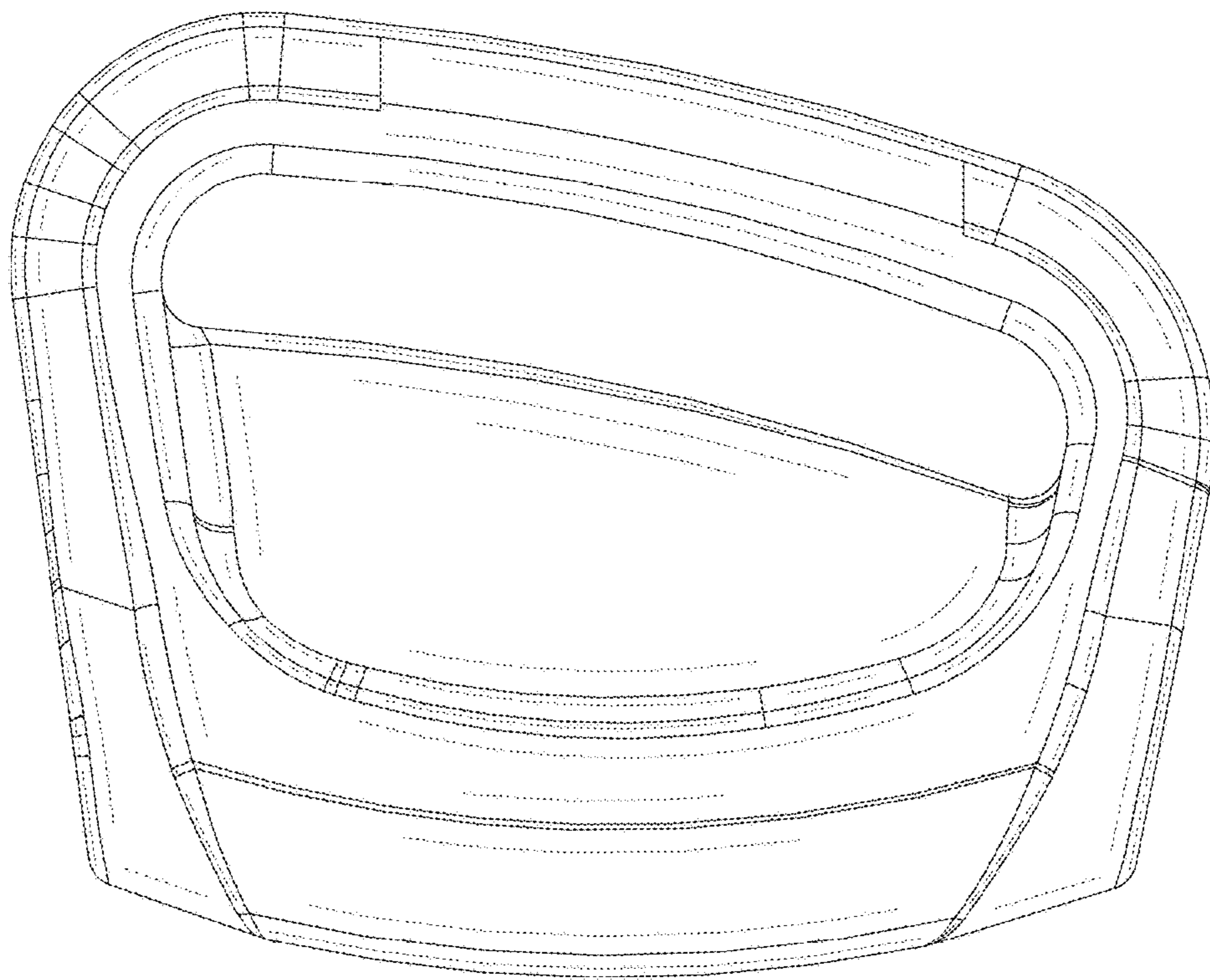


Fig. 1

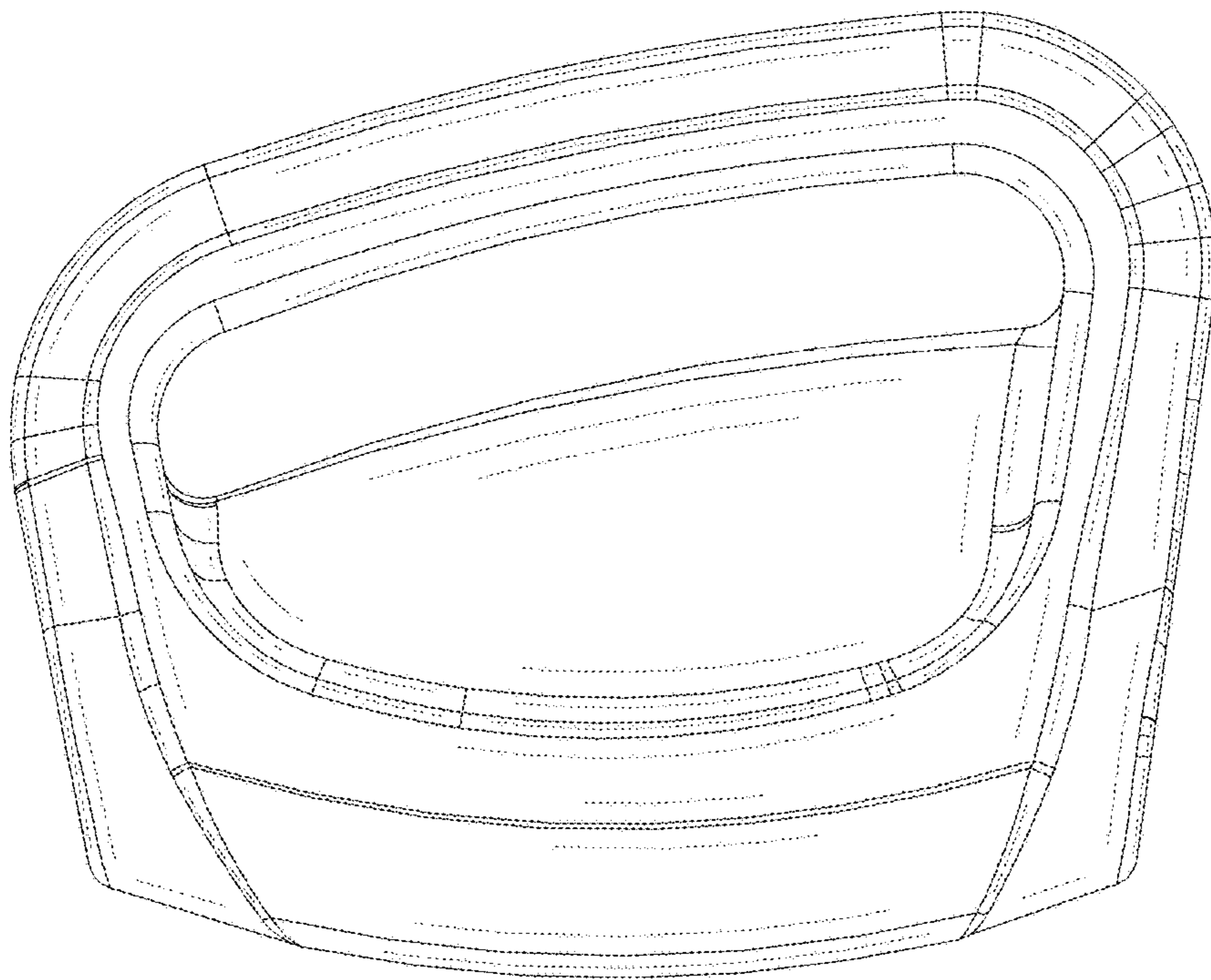


Fig. 2

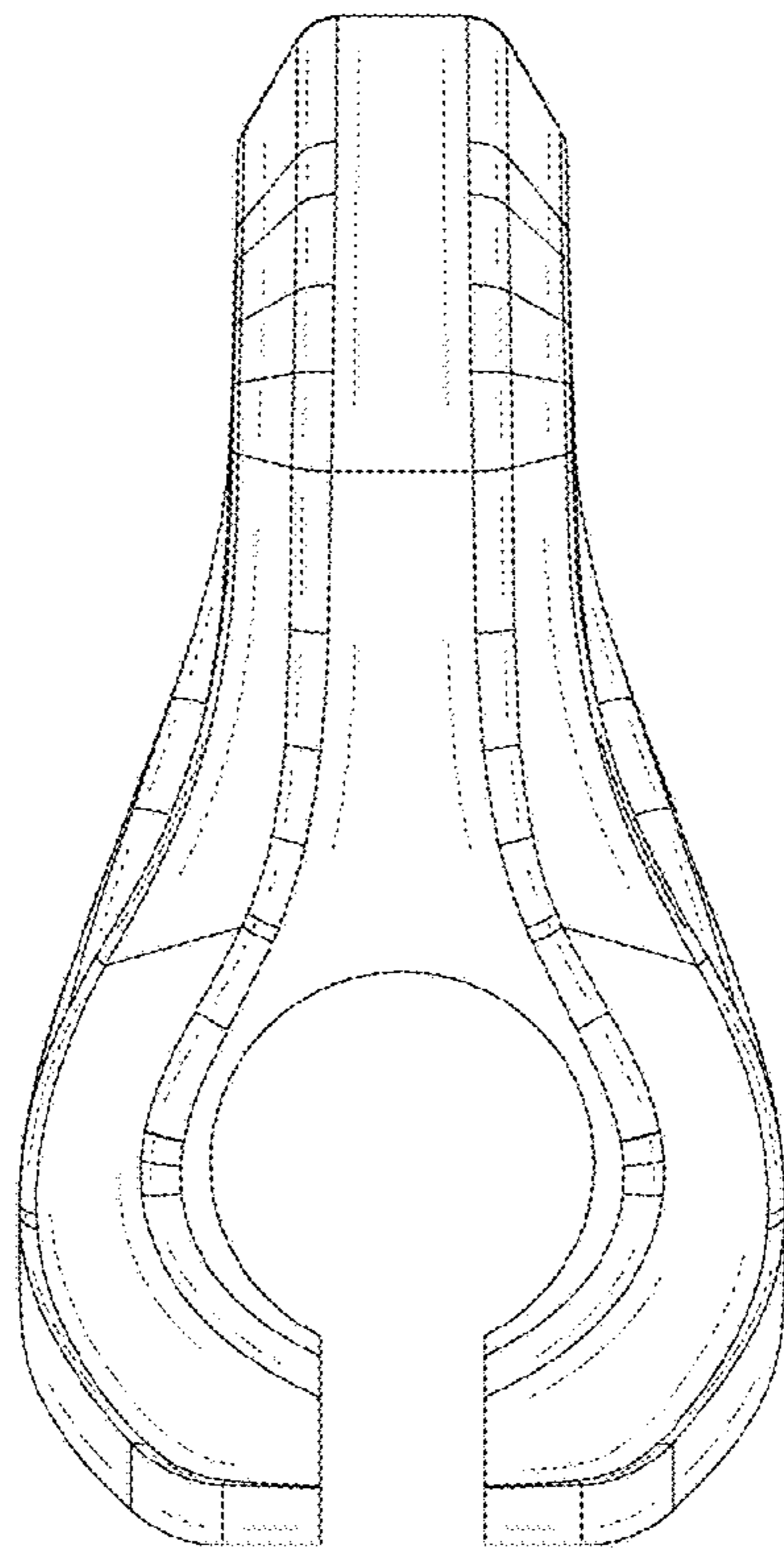


Fig. 3

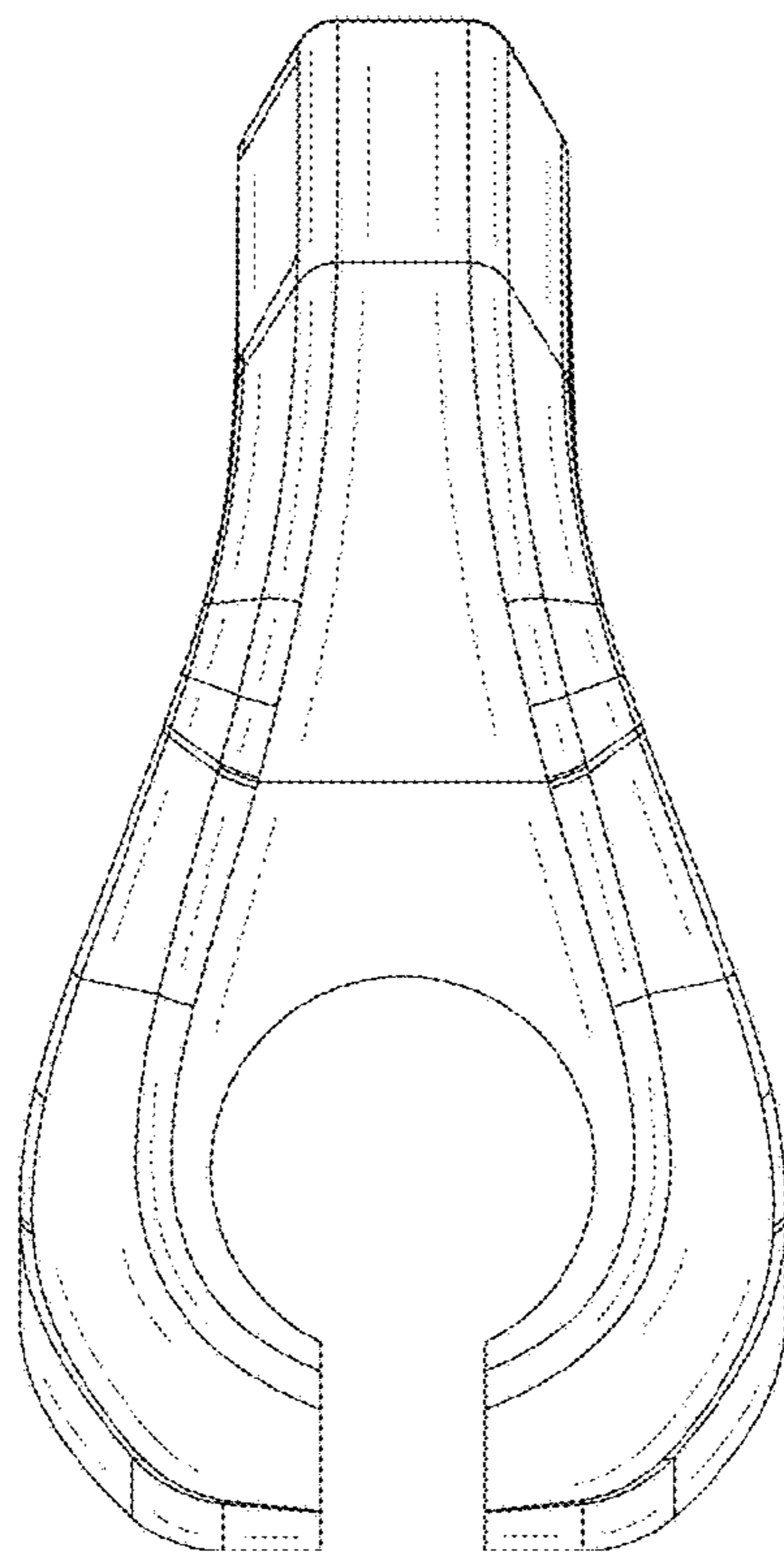


Fig. 4

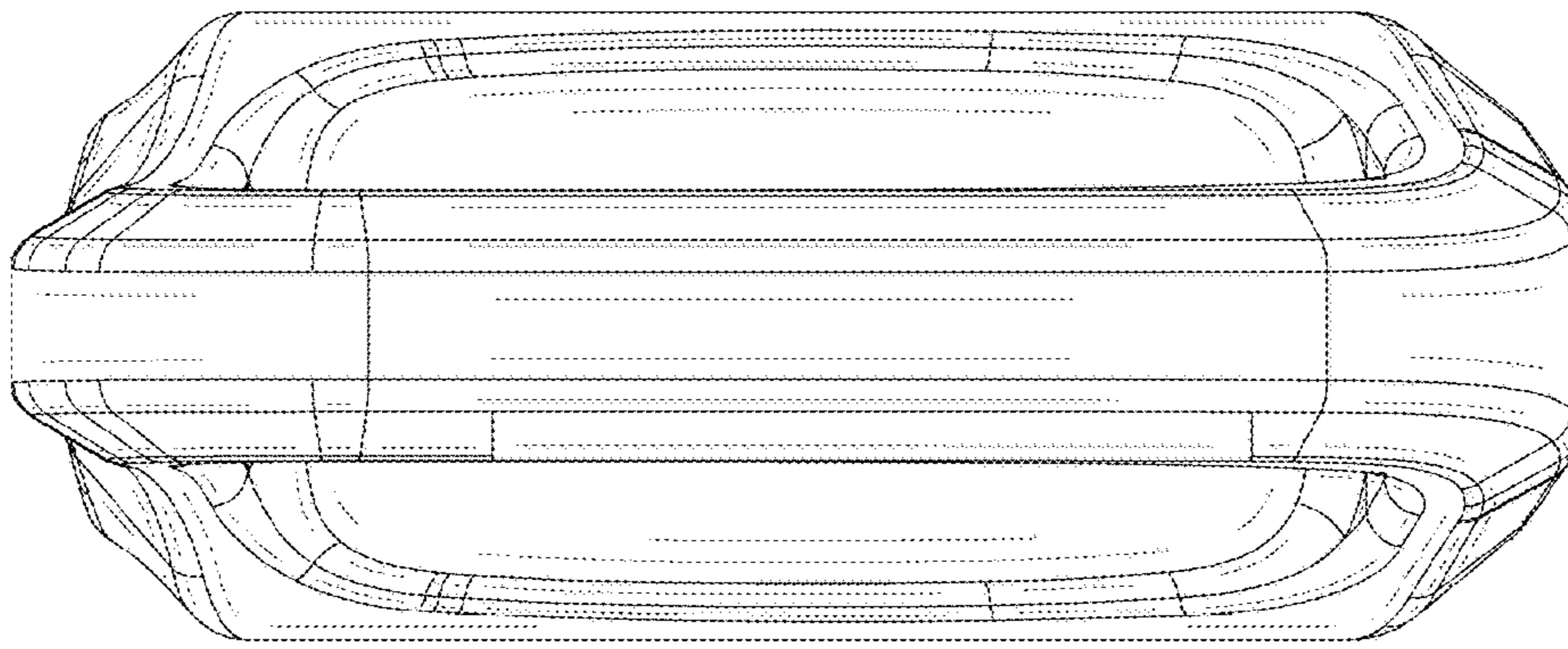


Fig. 5

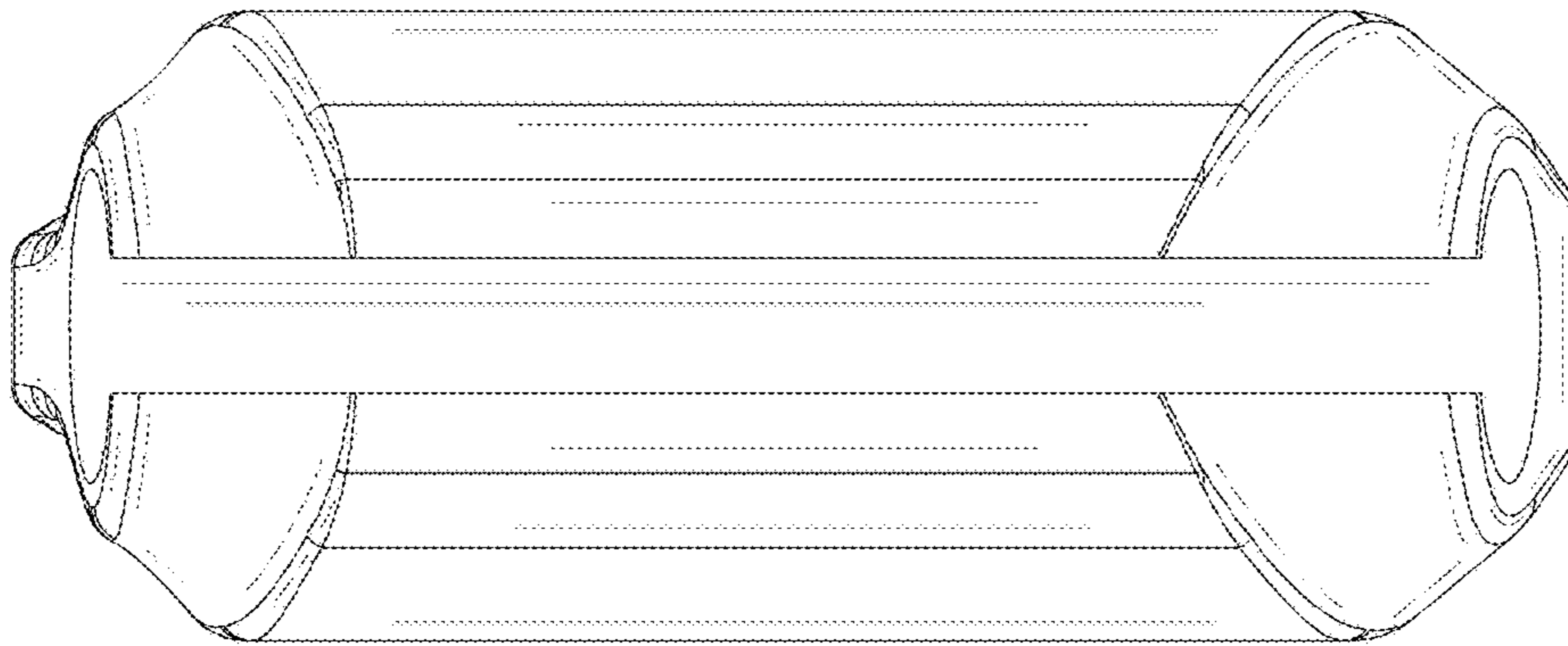


Fig. 6

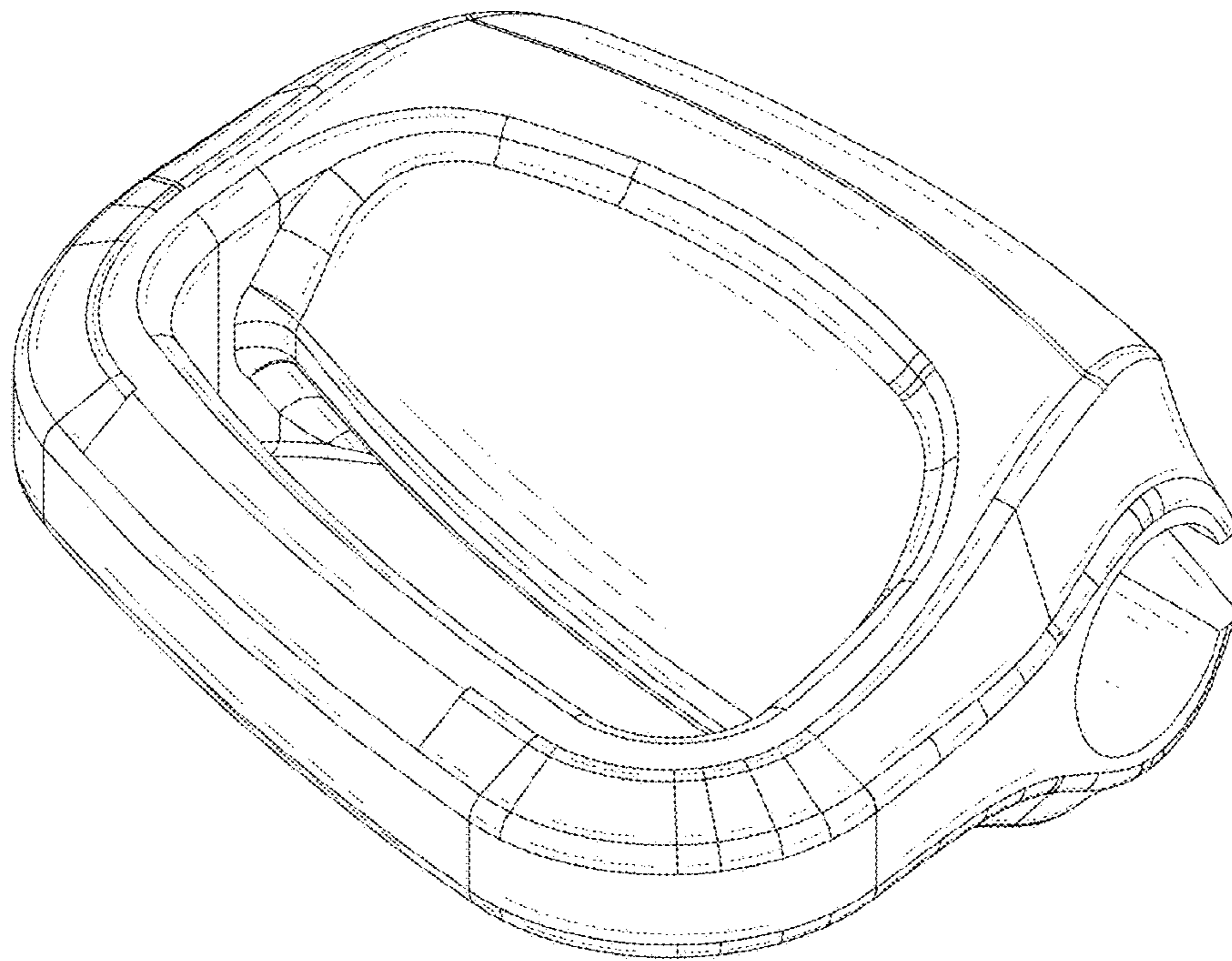


Fig. 7

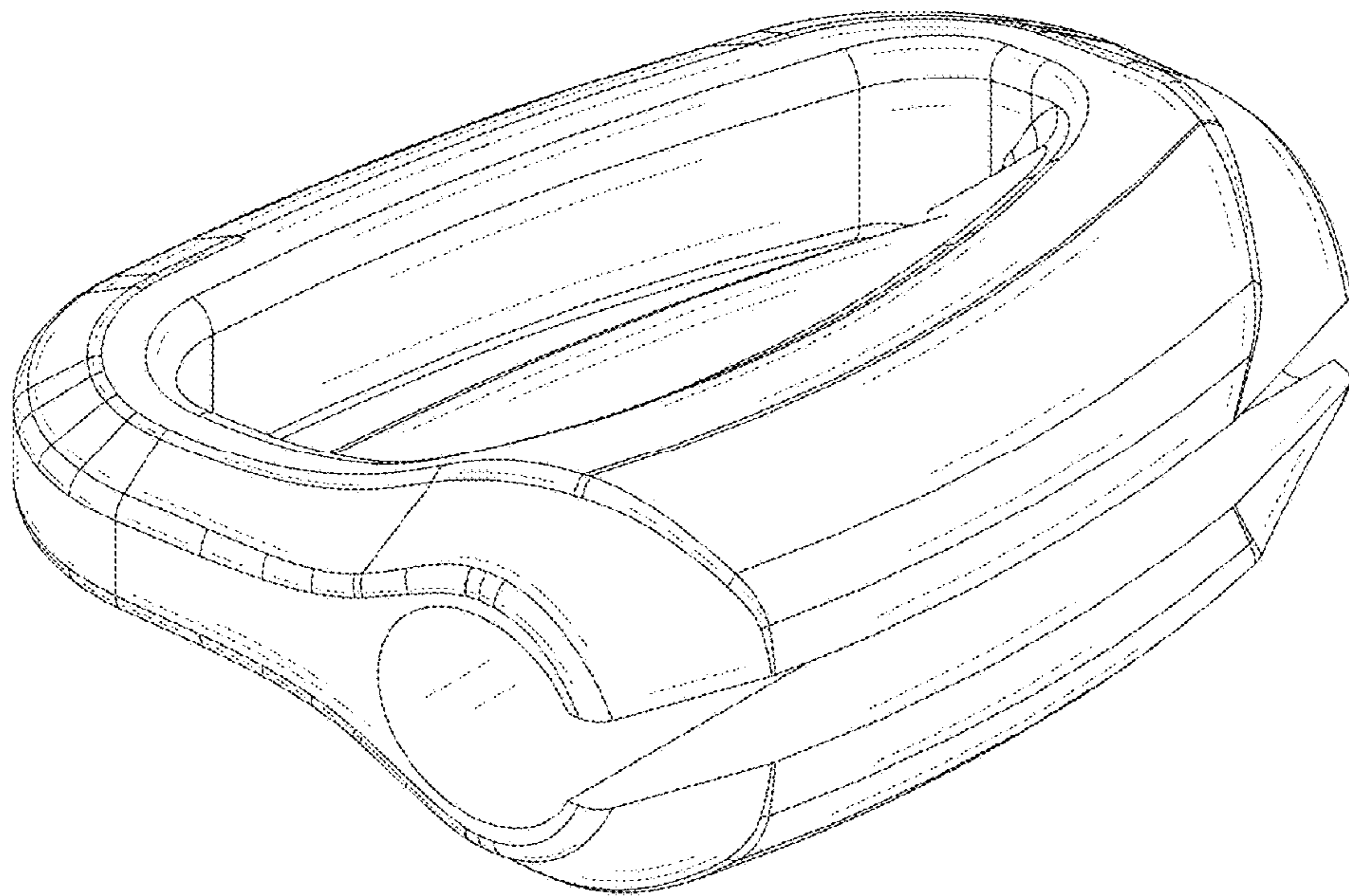


Fig. 8

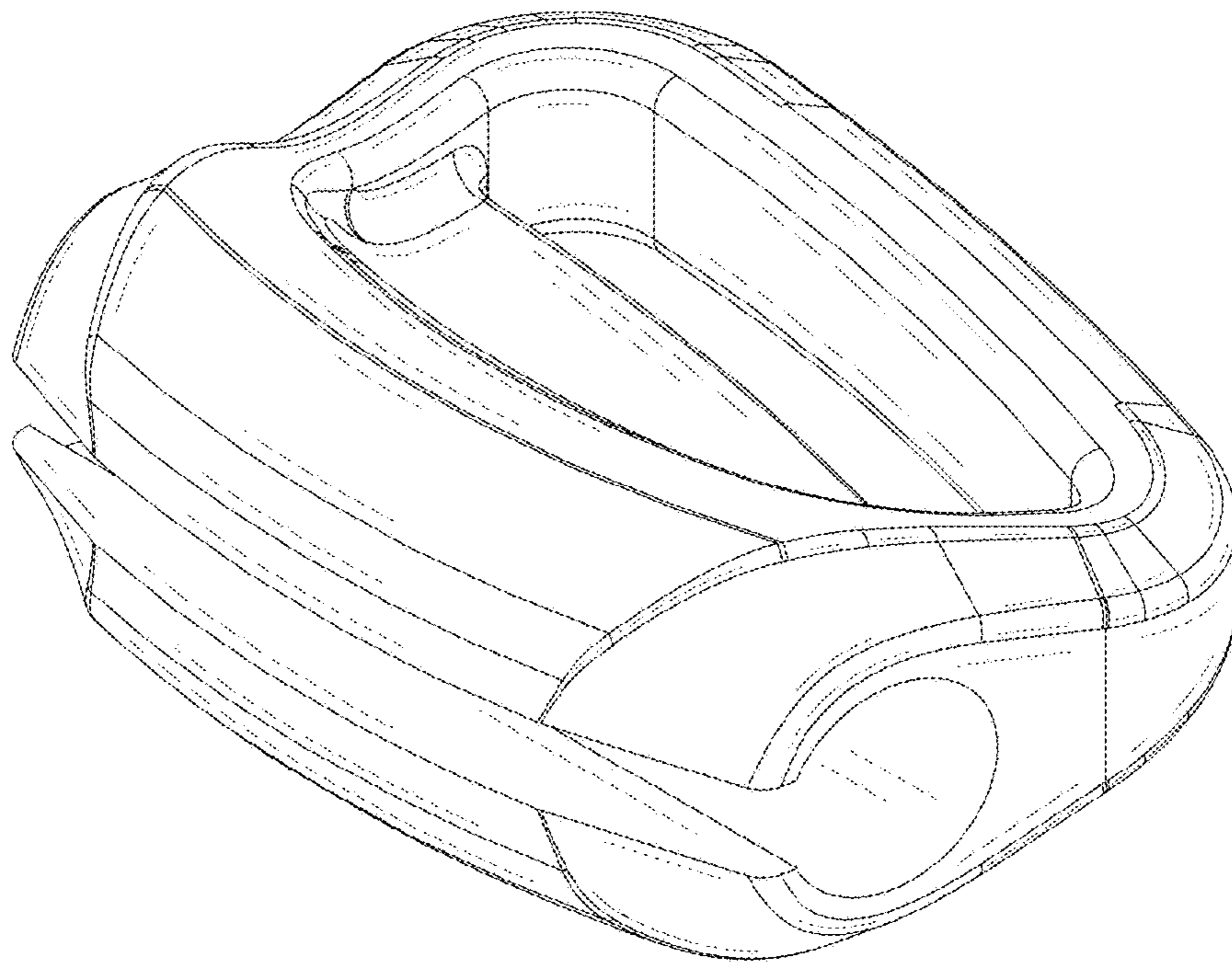


Fig. 9

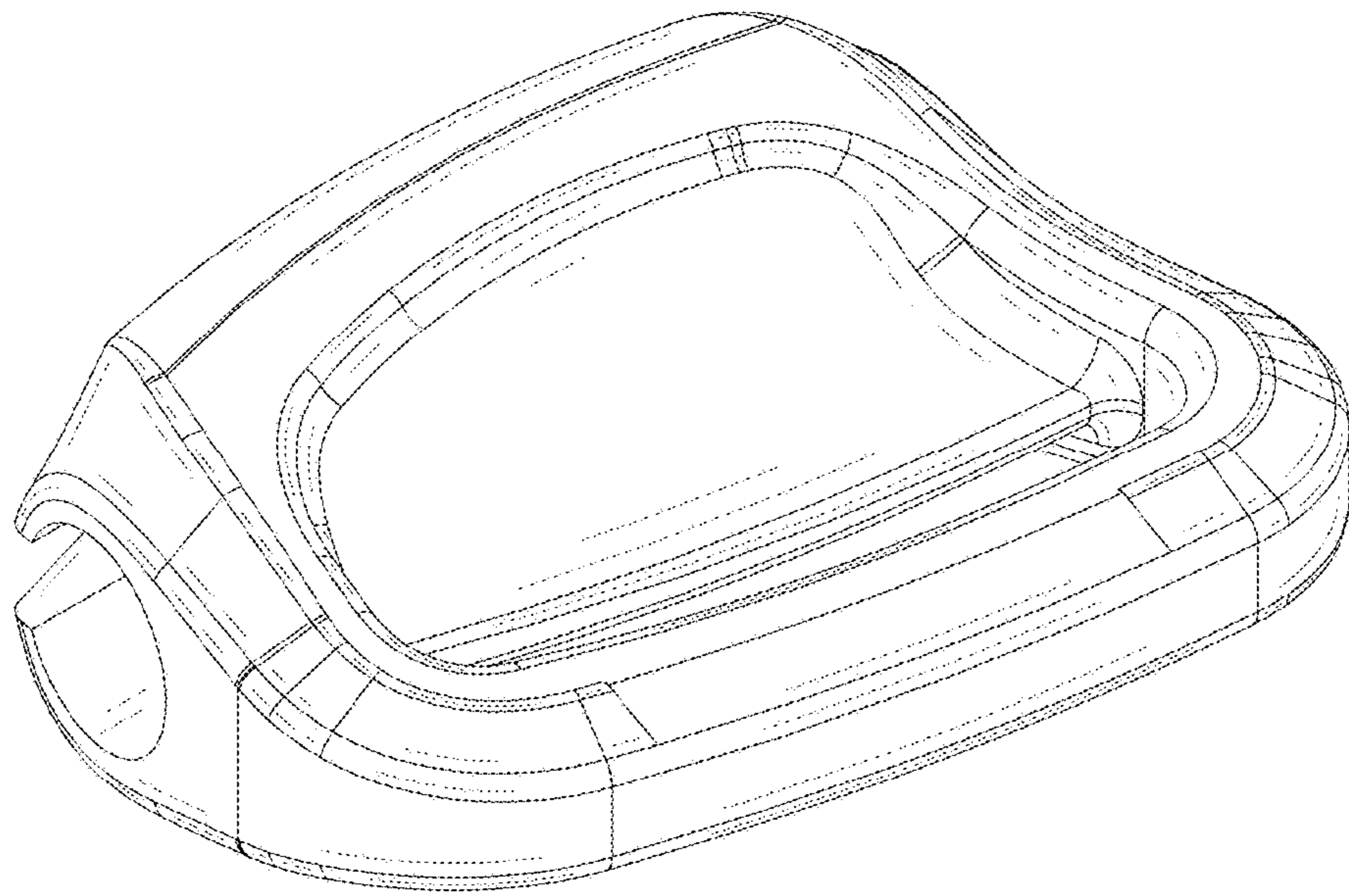


Fig. 10

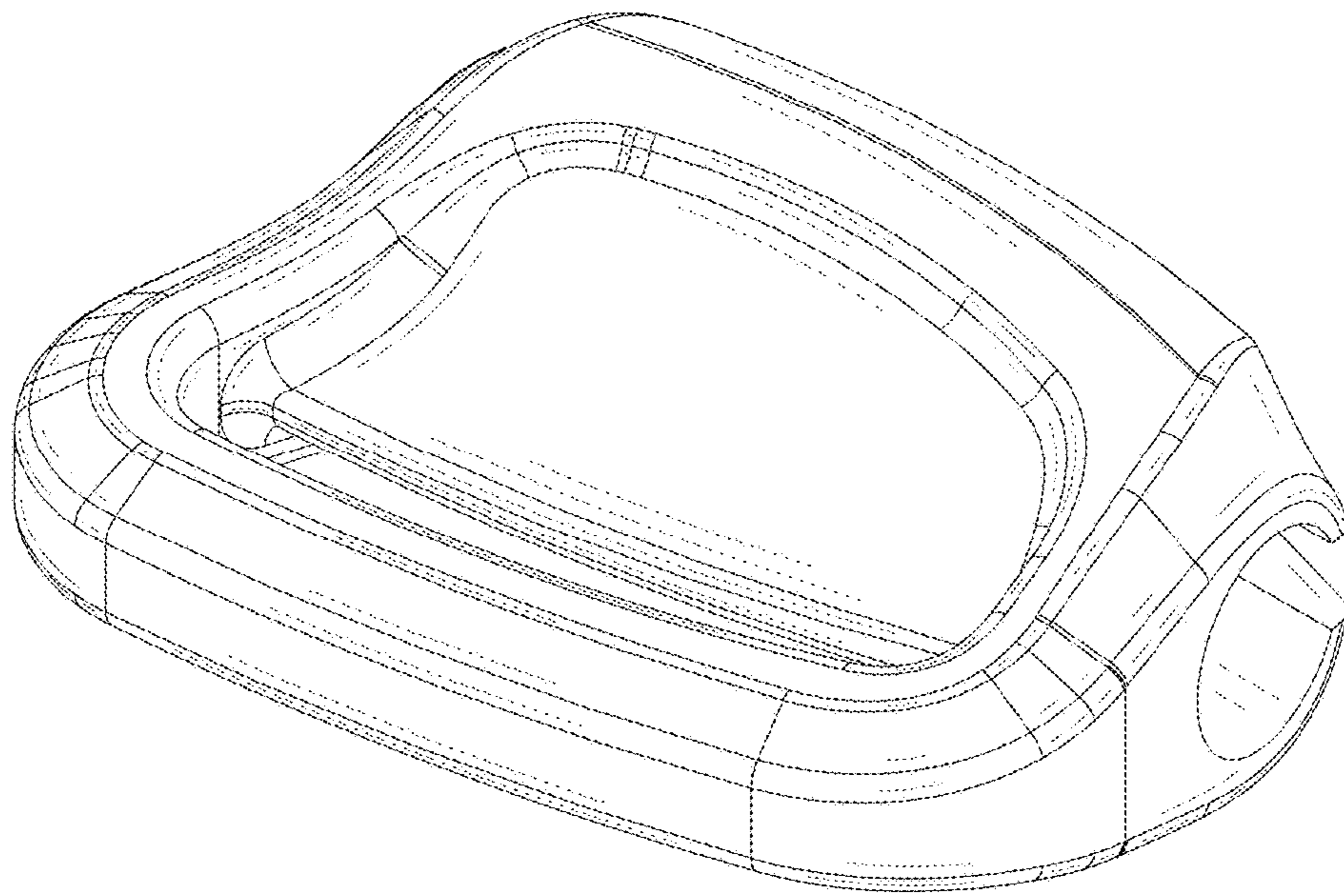


Fig. 11

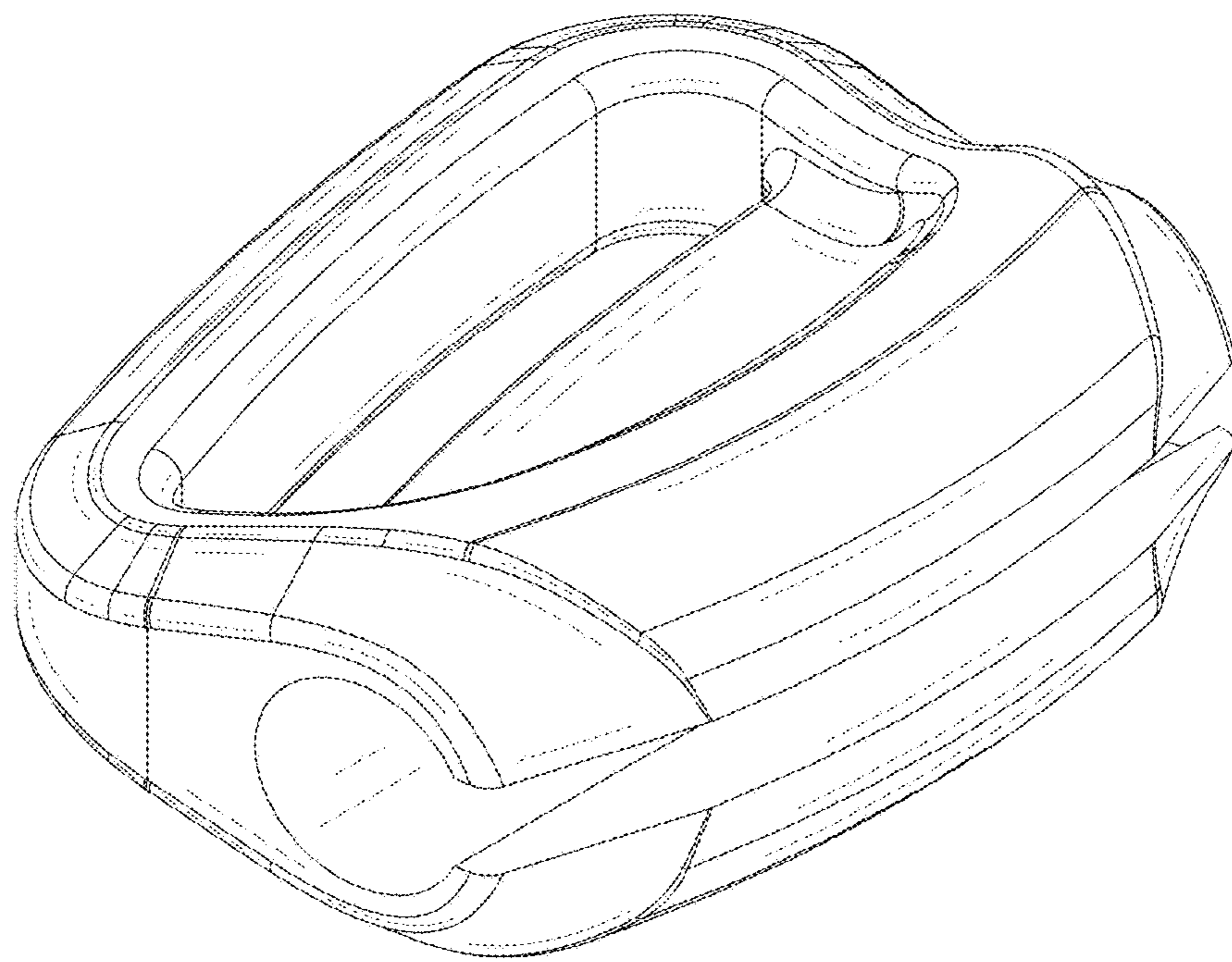


Fig. 12

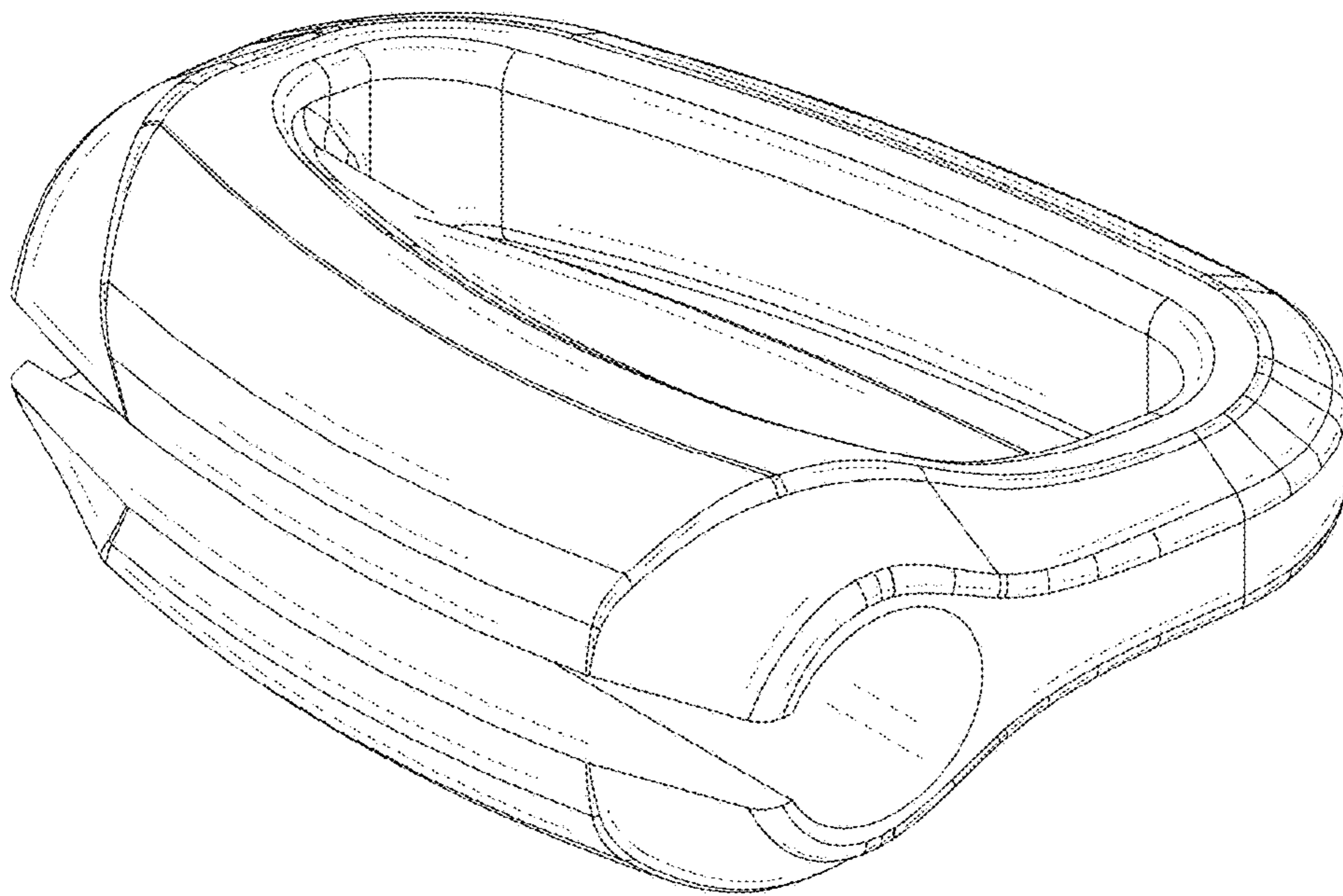


Fig. 13

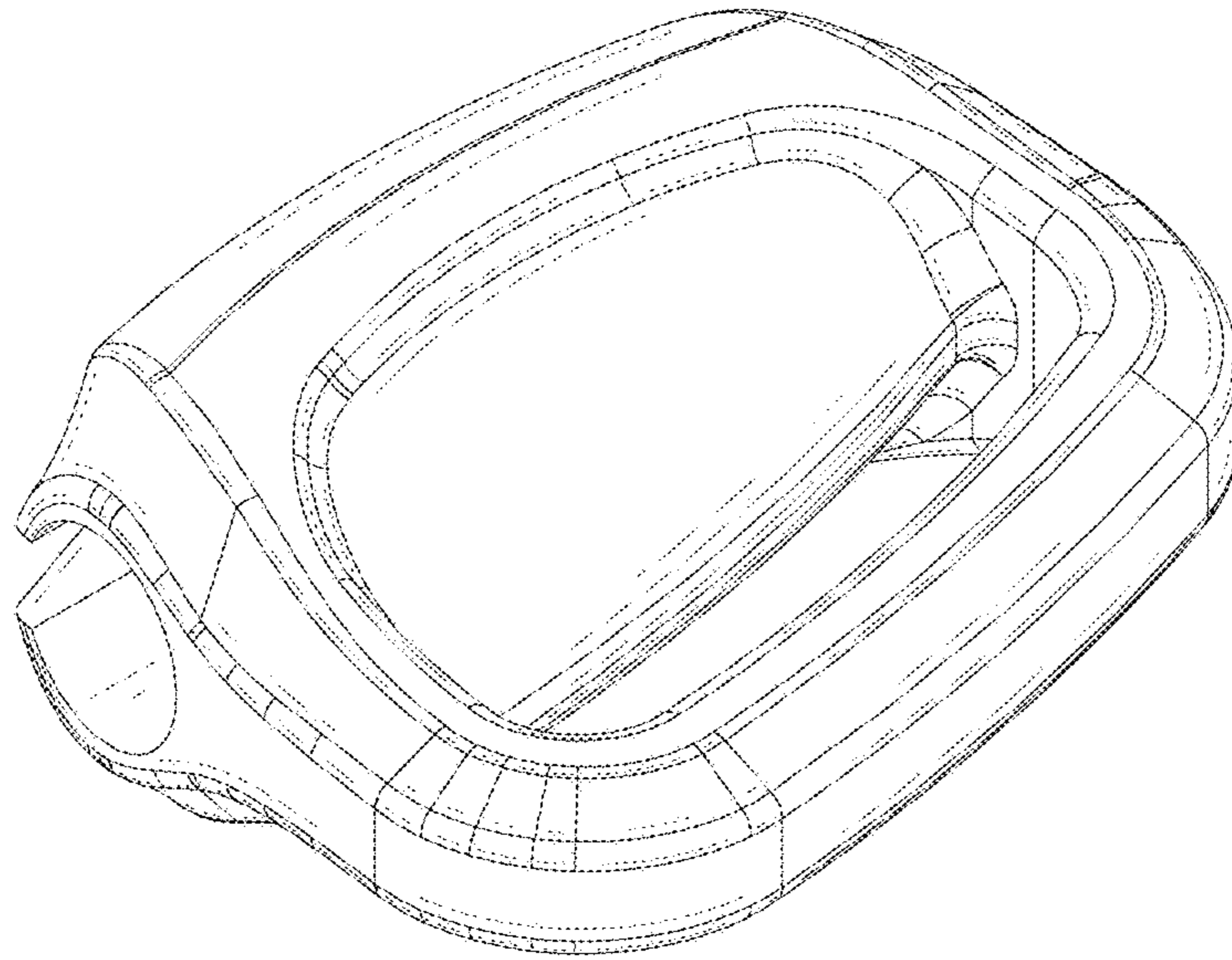


Fig. 14