



US00D799370S

(12) **United States Design Patent**
Paik et al.

(10) **Patent No.:** **US D799,370 S**

(45) **Date of Patent:** **** Oct. 10, 2017**

(54) **FEMALE RECEPTACLE OF BUCKLE**

(71) Applicant: **WOJIN PLASTIC CO., LTD.**,
Guri-si, Gyeonggi-do (KR)

(72) Inventors: **Jisook Paik**, Seoul (KR); **Nan Hee Paik**, Seoul (KR); **Ji Hye Paik**, Seoul (KR); **Ji Won Son**, Seoul (KR)

(73) Assignee: **WOJIN PLASTIC CO., LTD.**,
Guri-si (KR)

(**) Term: **15 Years**

(21) Appl. No.: **29/570,848**

(22) Filed: **Jul. 12, 2016**

(30) **Foreign Application Priority Data**

Jan. 12, 2016 (KR) 30-2016-0001345

(51) **LOC (10) Cl.** **02-07**

(52) **U.S. Cl.**
USPC **D11/216**

(58) **Field of Classification Search**
USPC D11/1-2, 200-201, 206-210, 214-219;
24/163 R, 169-171, 173, 177-179, 191,
24/194-195, 197, 198, 200, 614-616,
24/625, 630, 578.11, 578.1, 163 K, 114;
D8/349, 395, 356
CPC A44B 11/06; A44B 11/26; A44B 11/25;
A41F 11/04

See application file for complete search history.

(56) **References Cited**

U.S. PATENT DOCUMENTS

D381,936 S * 8/1997 Ansher D11/216
6,263,548 B1 * 7/2001 Ikeda A44B 11/266
24/616
D493,385 S * 7/2004 Uehara D11/216
D495,622 S * 9/2004 Uehara D11/216
D495,971 S * 9/2004 Uehara D11/216

D519,409 S * 4/2006 Sporn D11/216
D521,411 S * 5/2006 Moeller D11/216
D535,212 S * 1/2007 Pontaoe D11/216
D535,213 S * 1/2007 Kolasa D11/216
D615,904 S * 5/2010 Pontaoe D11/216
D625,226 S * 10/2010 Pontaoe D11/216
D671,445 S * 11/2012 Paik D11/216
D688,157 S * 8/2013 Kao D11/216

(Continued)

FOREIGN PATENT DOCUMENTS

CN 2579206 * 10/2003 A44B 11/25

OTHER PUBLICATIONS

Non Adjust Alto, WoojinPlastic.com, [online], [site visited Jul. 24, 2017]. <URL: <http://www.wojinplastic.com/products/detail/453/brand:new>>.*

(Continued)

Primary Examiner — T. Chase Nelson

Assistant Examiner — Jonathan J Han

(74) *Attorney, Agent, or Firm* — Novick, Kim & Lee, PLLC; Jae Youn Kim

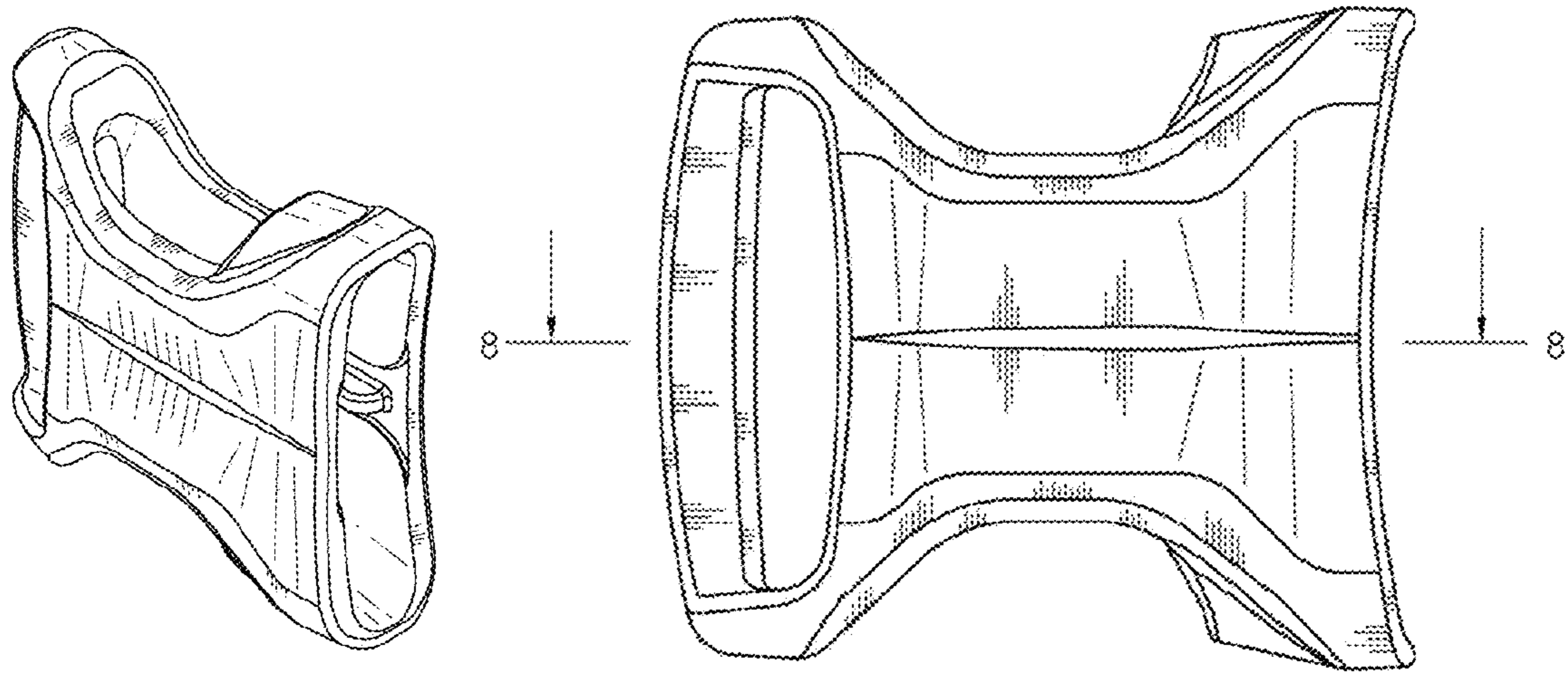
(57) **CLAIM**

We claim, the ornamental design for a female receptacle of buckle, as shown and described.

DESCRIPTION

FIG. 1 is a perspective view of a female receptacle of buckle, showing our new design;
FIG. 2 is a front elevational view thereof;
FIG. 3 is a rear elevational view thereof;
FIG. 4 is a left side elevational view thereof;
FIG. 5 is a right side elevational view thereof;
FIG. 6 is a top plan view thereof;
FIG. 7 is a bottom plan view thereof; and,
FIG. 8 is a sectional view thereof along line 8-8 as shown in FIG. 2.

1 Claim, 4 Drawing Sheets



(56)

References Cited

U.S. PATENT DOCUMENTS

D734,209 S * 7/2015 Kadoishi D11/216
 D770,939 S * 11/2016 Kolasa D11/216
 D778,207 S * 2/2017 Paik D11/216
 2004/0055122 A1 * 3/2004 Matoba A44B 11/266
 24/615
 2005/0204522 A1 * 9/2005 Paik A44B 11/266
 24/614
 2005/0235470 A1 * 10/2005 Uehara A44B 11/266
 24/615
 2006/0218761 A1 * 10/2006 Anscher A44B 11/006
 24/614
 2007/0089280 A1 * 4/2007 Pontaoe A44B 11/266
 24/614
 2008/0086853 A1 * 4/2008 Kolasa A44B 11/266
 24/625
 2008/0178438 A1 * 7/2008 Yoshie A44B 11/266
 24/616
 2008/0222860 A1 * 9/2008 Pontaoe A44B 11/006
 24/614
 2010/0107370 A1 * 5/2010 Paik A44B 11/266
 24/190
 2010/0115736 A1 * 5/2010 Paik A44B 11/005
 24/163 R

2010/0293763 A1 * 11/2010 Paik A44B 11/266
 24/614
 2011/0173783 A1 * 7/2011 Kaneko A44B 11/266
 24/615
 2011/0271499 A1 * 11/2011 Parisi A44B 11/263
 24/615
 2013/0081236 A1 * 4/2013 Parisi A44B 11/266
 24/628

OTHER PUBLICATIONS

50½" Side Release Plastic Buckles, Amazon.com, [online], [site visited Jul. 24, 2017]. <URL: <https://www.amazon.com/50-Side-Release-Plastic-Buckles/dp/B003R0RTEA>>.*
 10½Inch YKK Flat Heavy Duty Dual Adjustable Side Release Plastic Buckles, Amazon.com, [online], [site visited Jul. 24, 2017]. <URL: https://www.amazon.com/10-Adjustable-Release-Plastic-Buckles/dp/B00DCZRLZW/ref=sr_1_7?ie=UTF8&qid=1500922933&sr=8-7&keywords=plastic+buckles>.*
 CRP-Crab Plus, 2mPlasticBuckles.com, [online], [site visited Jul. 24, 2017]. <URL: <http://www.2mplasticbuckles.com/products/plastic-buckles/>>.*

* cited by examiner

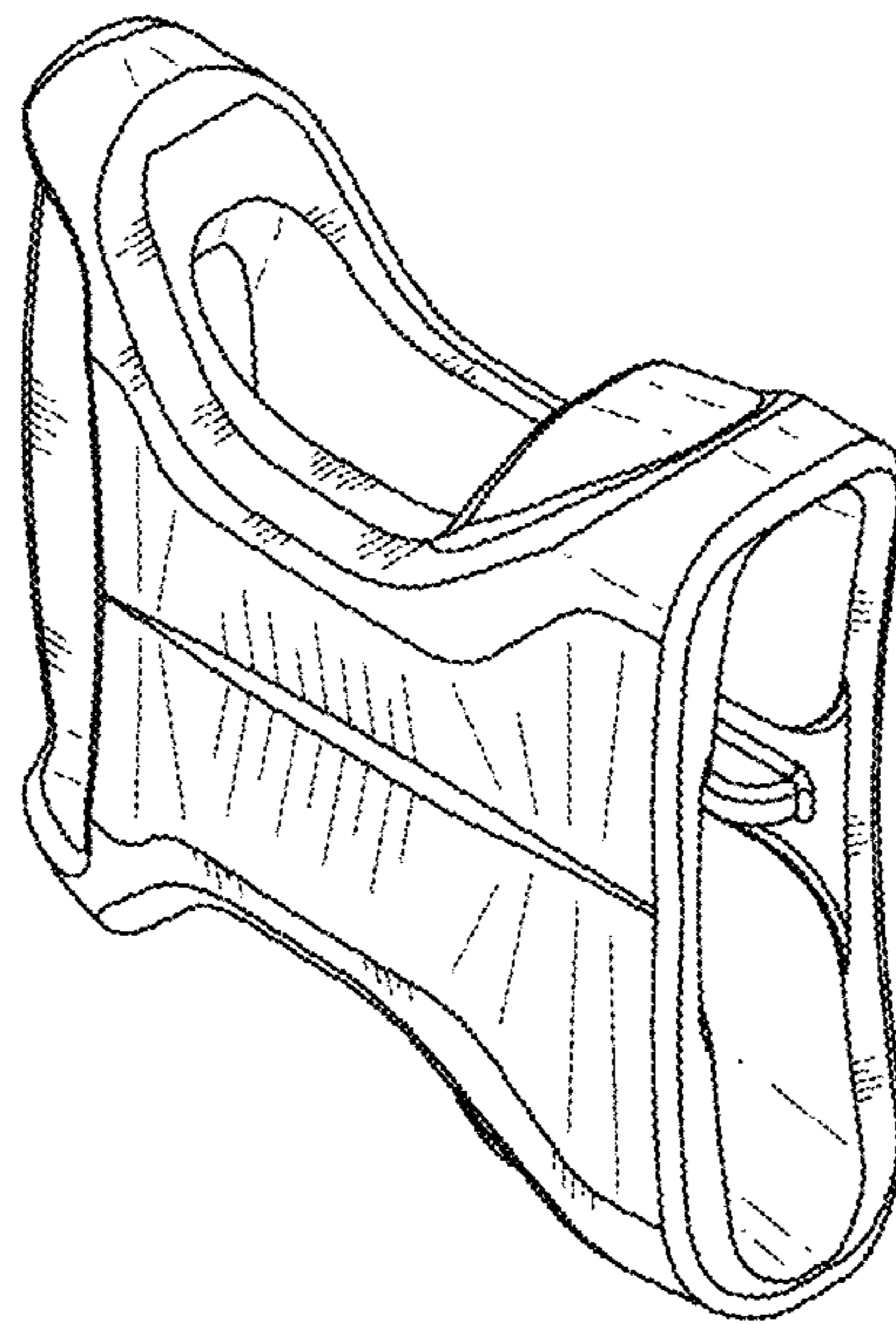


FIG. 1

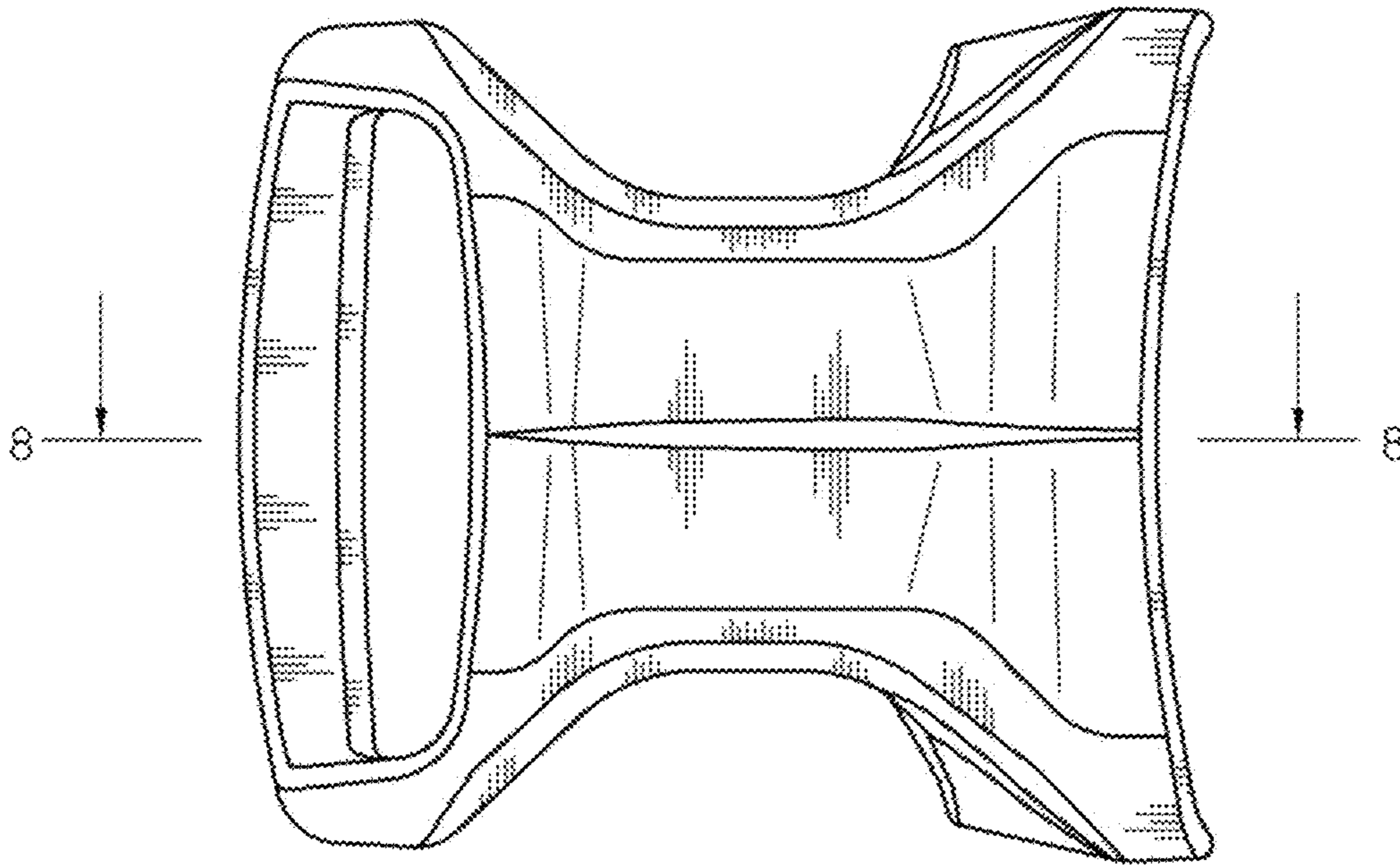


FIG. 2

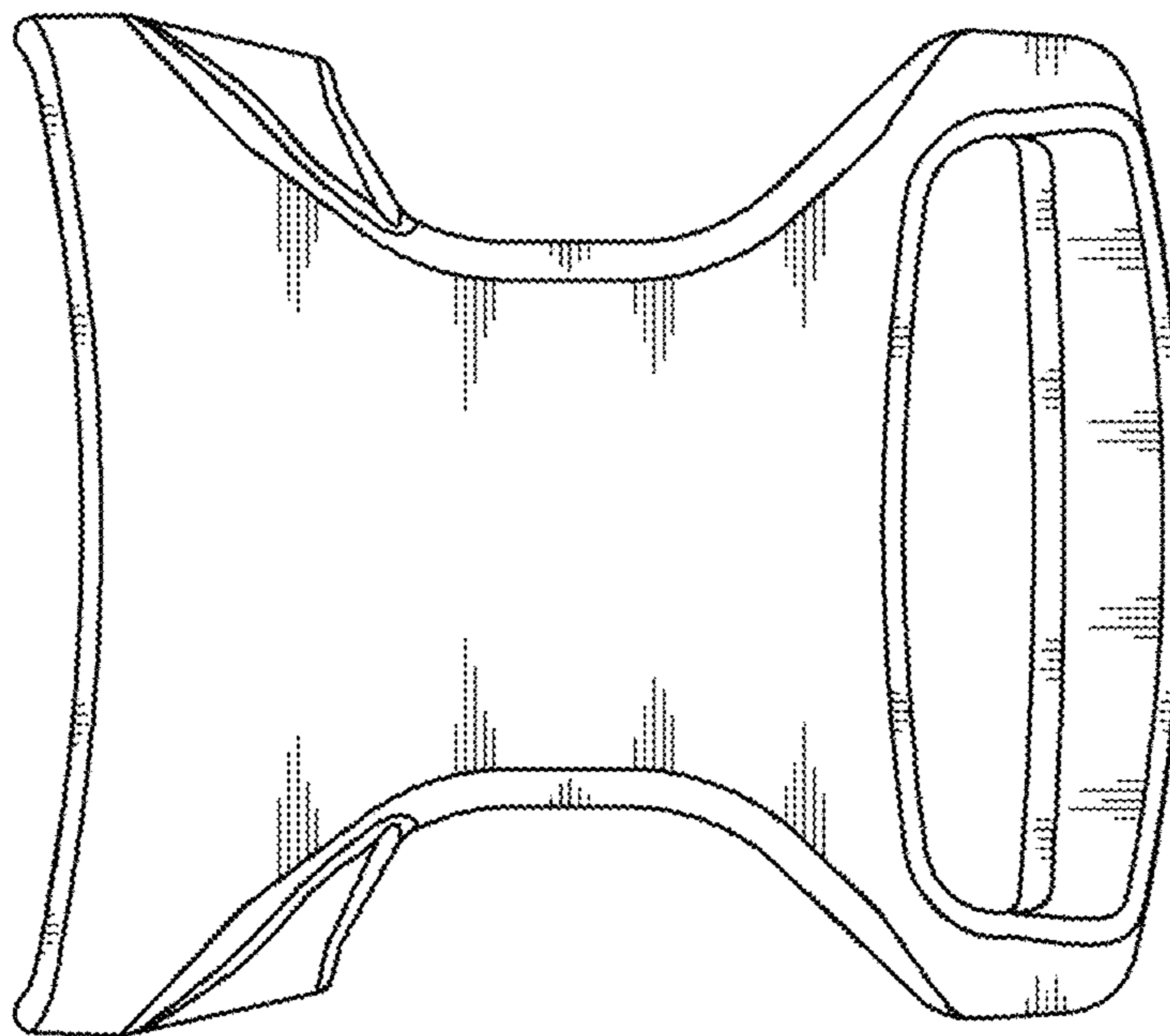


FIG. 3

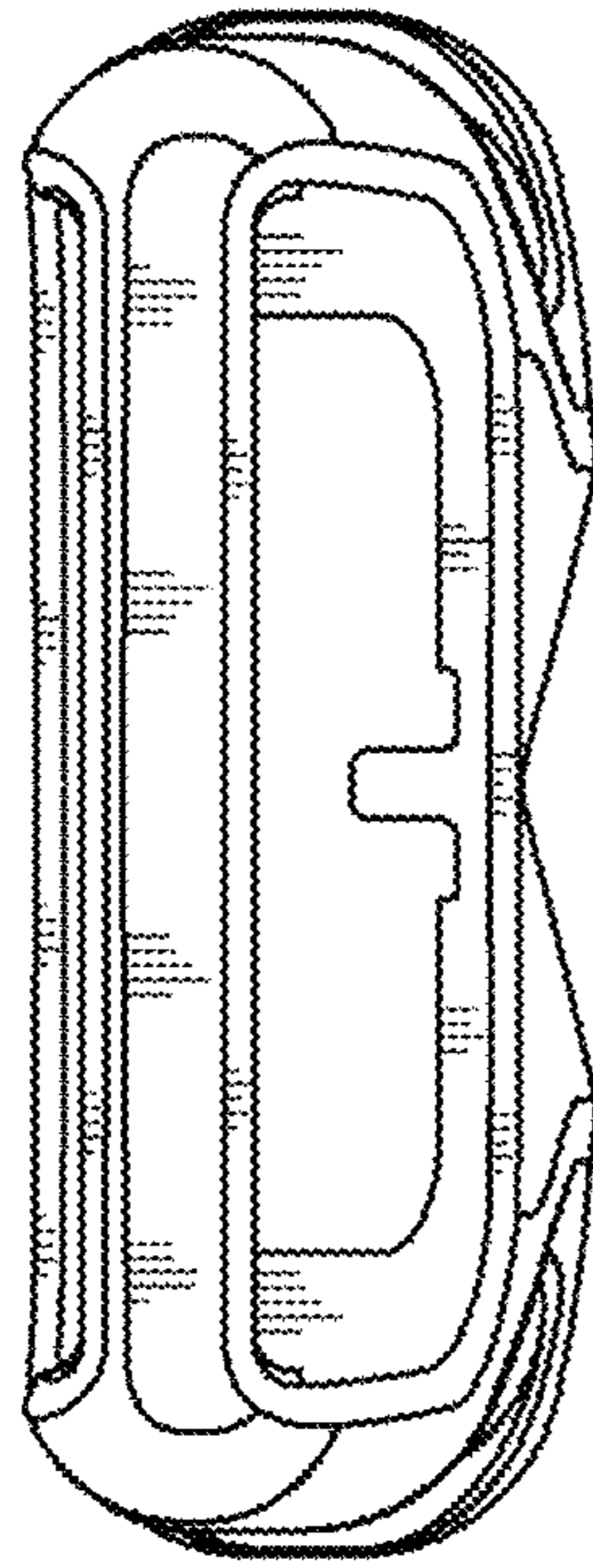


FIG. 4

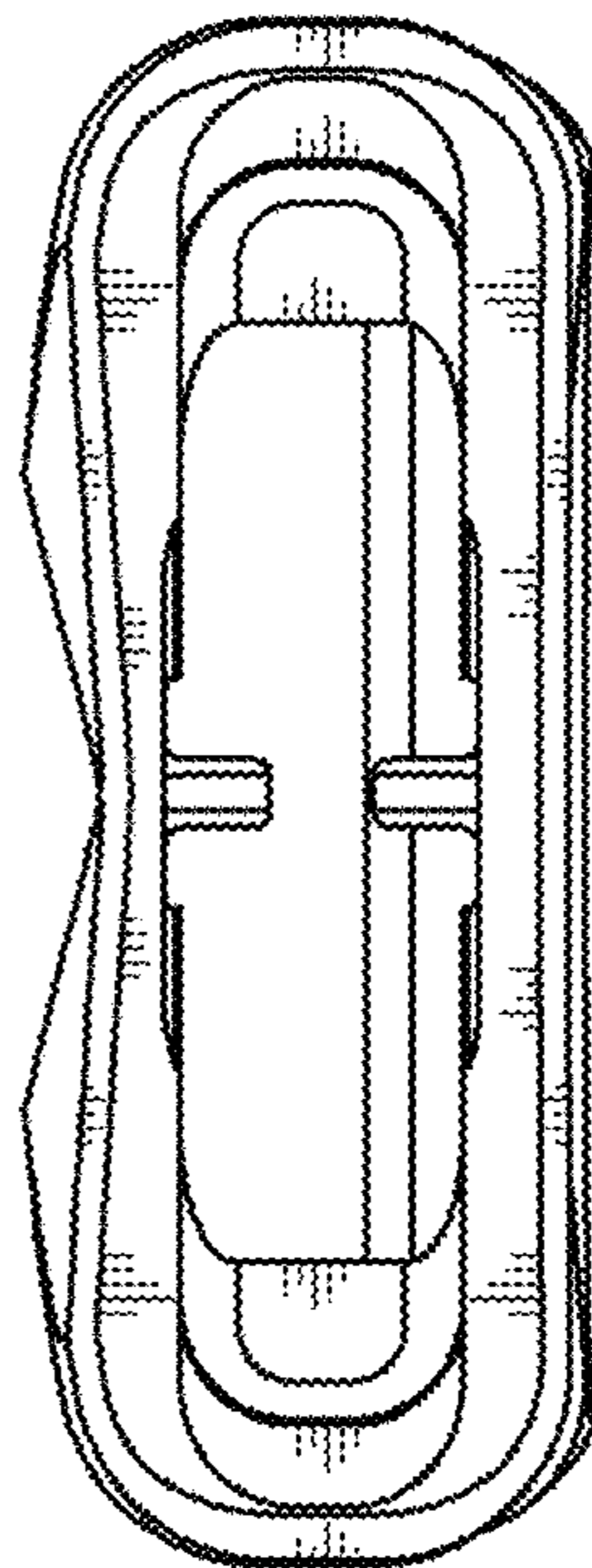


FIG. 5

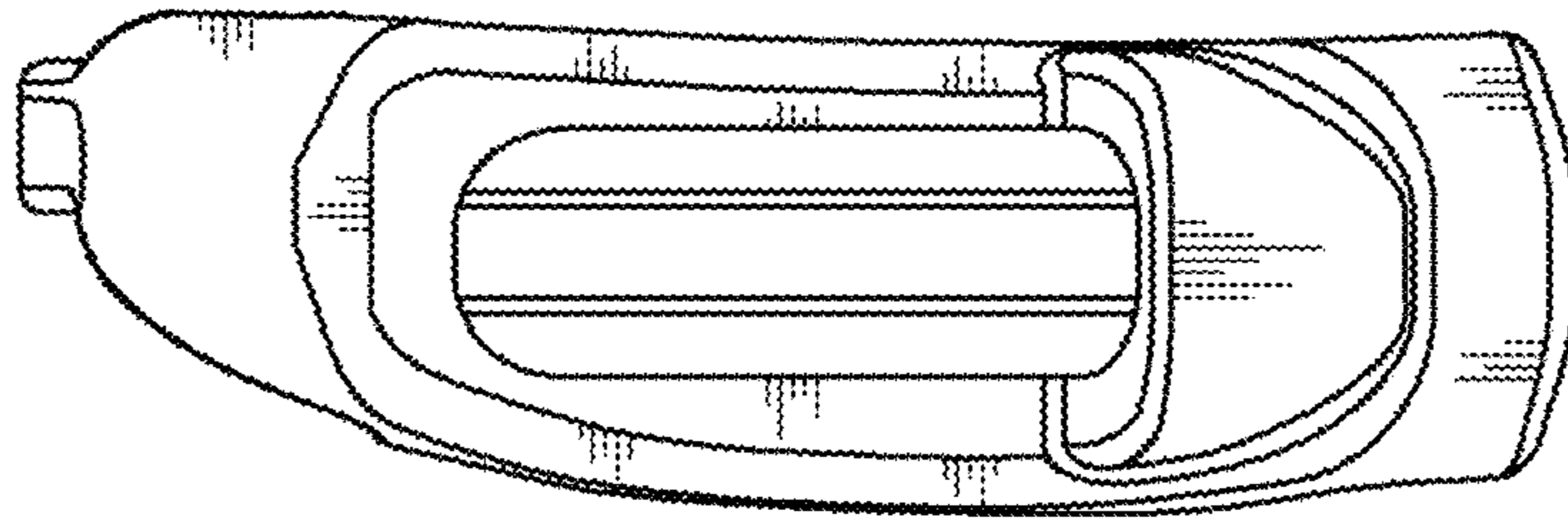


FIG. 6

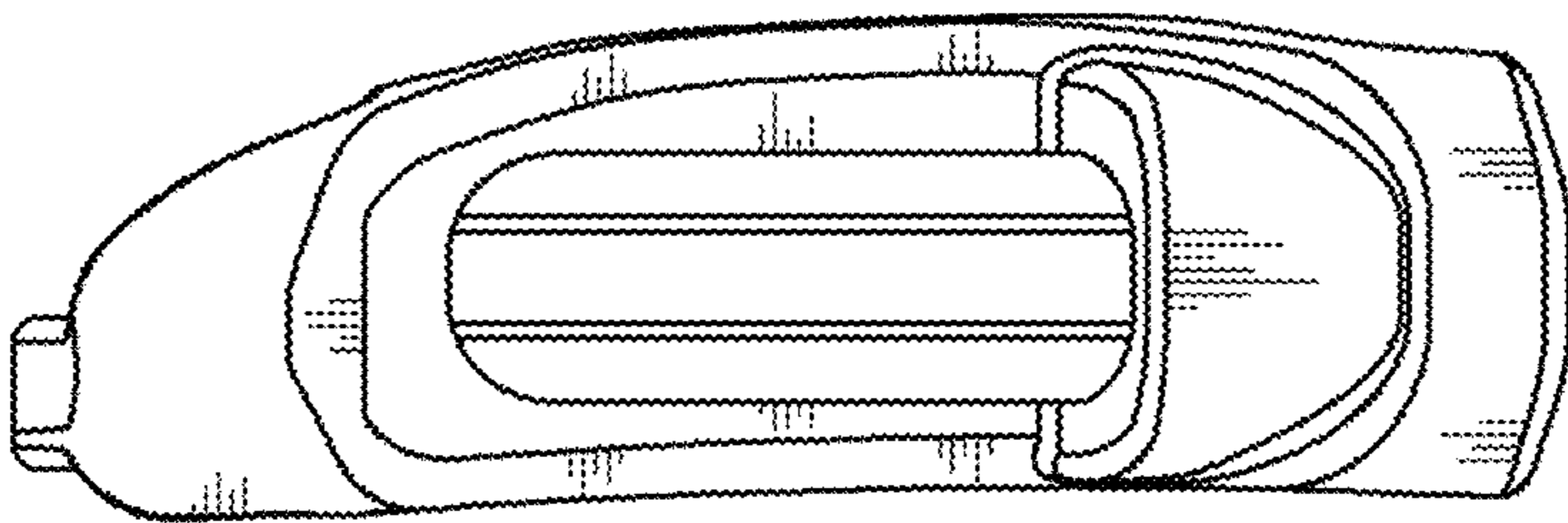


FIG. 7

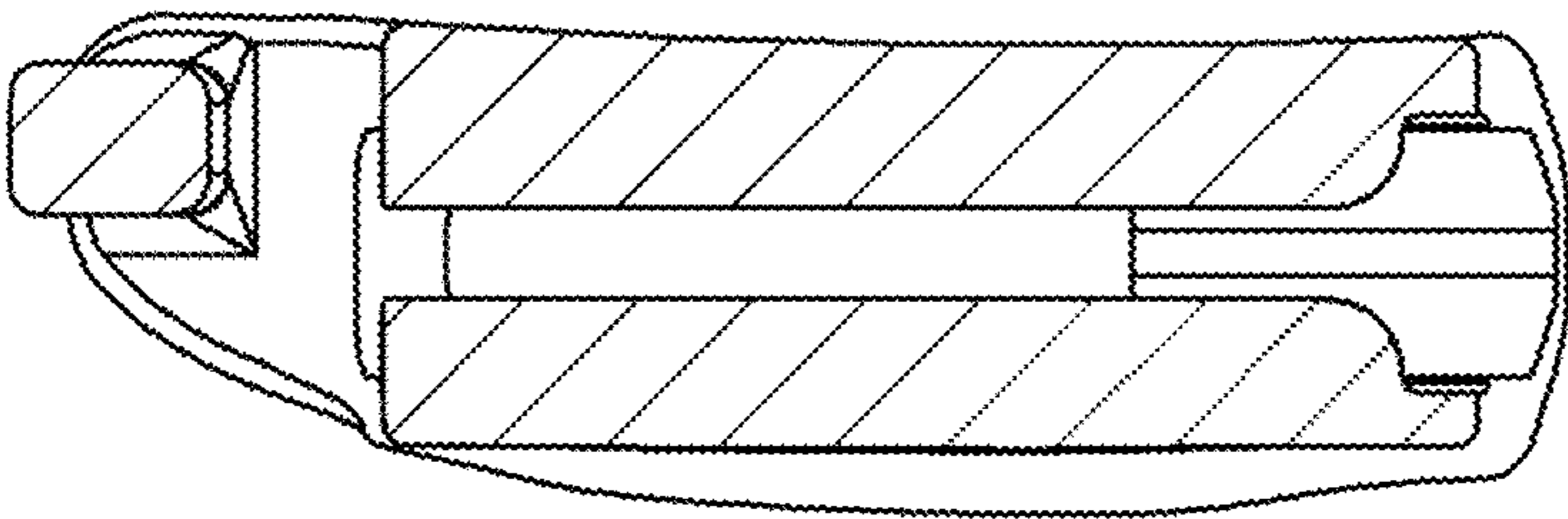


FIG. 8