



US00D799369S

(12) **United States Design Patent**
Eggers et al.

(10) **Patent No.:** **US D799,369 S**
(45) **Date of Patent:** **** Oct. 10, 2017**

- (54) **BUCKLE**
- (71) Applicant: **Appalachia LLC**, King, NC (US)
- (72) Inventors: **Adam Eggers**, King, NC (US);
Anthony Eggers, King, NC (US)
- (**) Term: **15 Years**
- (21) Appl. No.: **29/568,368**
- (22) Filed: **Jun. 17, 2016**
- (51) **LOC (10) Cl.** **02-07**
- (52) **U.S. Cl.**
USPC **D11/216**
- (58) **Field of Classification Search**
USPC D11/200, 208, 210, 216, 231, 234,
D11/236-238; D2/624, 627, 639
CPC A44B 11/00; A44B 11/001; A44B 11/005;
A44B 11/006; A44B 11/02; A44B 11/04;
A44B 11/06; A44B 11/065; A44B 11/08;
A44B 11/10; A44B 11/12; A44B 11/125;
A44B 11/14; A44B 11/16; A44B 11/18;
A44B 11/20; A44B 11/22; A44B 11/223;
A44B 11/226; A44B 11/24; A44B 11/25;
A44B 11/2503; A44B 11/258; A44B
11/2592; A44B 11/26; A44B 11/28
See application file for complete search history.

- (56) **References Cited**
U.S. PATENT DOCUMENTS
2,772,463 A * 12/1956 Scheuer A44B 13/0017
24/690
2,803,864 A * 8/1957 Bishaf A44B 11/2526
24/196
2,893,094 A * 7/1959 Heckethorn A44B 11/28
24/588.11
3,789,467 A * 2/1974 Aratani A42B 3/08
24/313
D264,766 S * 6/1982 Huff D11/216

- 4,392,277 A * 7/1983 Muller A44B 11/02
24/196
- D303,233 S * 9/1989 Jang D11/216
- D320,178 S * 9/1991 Kasai D11/200
- 5,148,582 A * 9/1992 Dennis, Jr. A44B 11/006
24/573.11
- D349,664 S * 8/1994 Ueno D11/216
- D376,995 S * 12/1996 Veach D11/216
- D721,010 S * 1/2015 Spater D11/218
- D735,606 S * 8/2015 Grant D11/218
- 9,560,898 B2 * 2/2017 Hortnagl A44B 11/2592
- 9,596,908 B2 * 3/2017 Hortnagl A44B 11/10
- 2010/0071173 A1 * 3/2010 Hortnagl A44B 11/2592
24/651

(Continued)

Primary Examiner — George D Kirschbaum
Assistant Examiner — Joseph Kukella
(74) *Attorney, Agent, or Firm* — Kathleen Maher Lynch

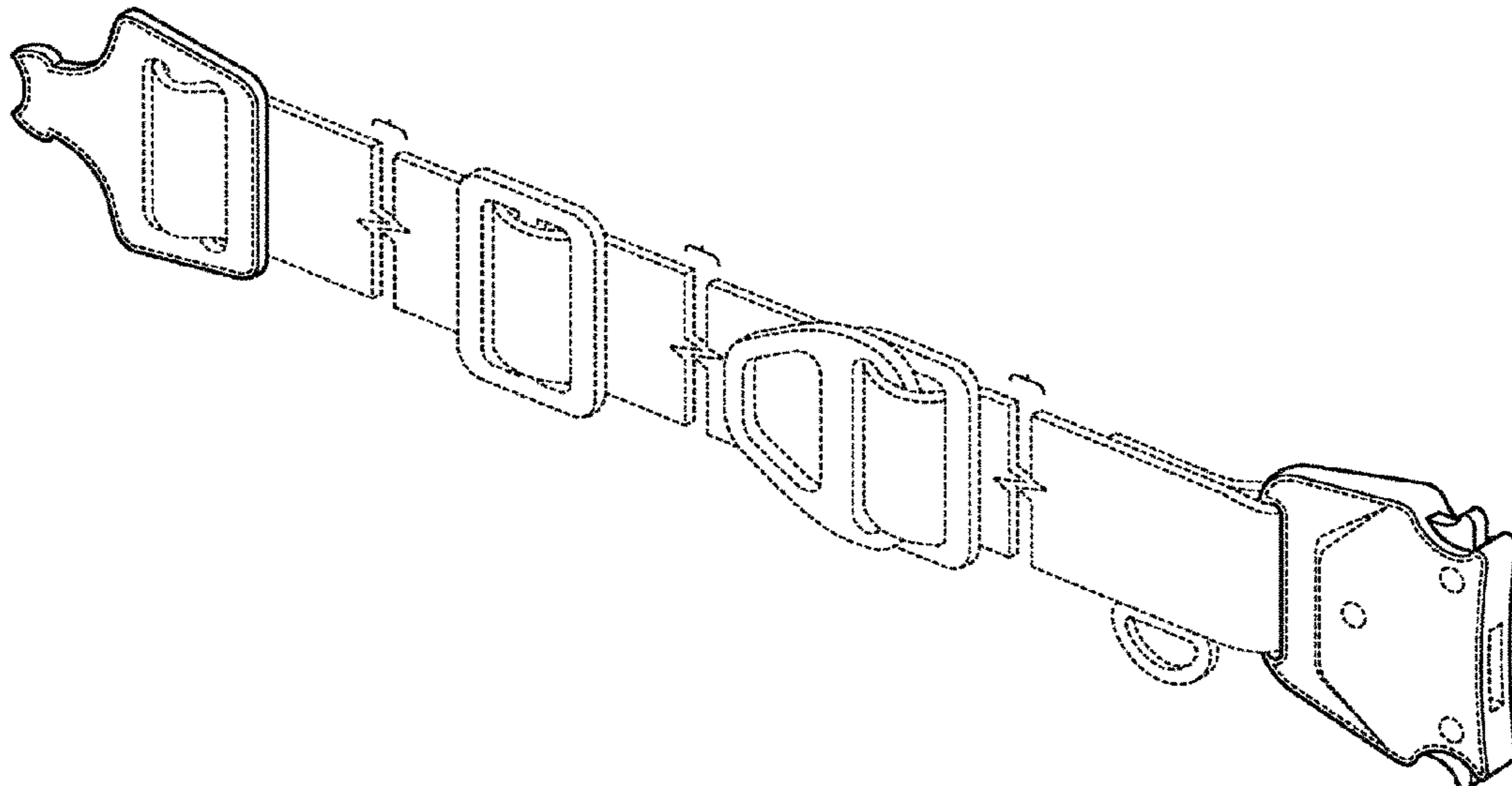
(57) **CLAIM**

The ornamental design for a buckle, as shown and described.

DESCRIPTION

FIG. 1 is a perspective view for a buckle showing our design;
FIG. 2 is a front elevation view of the design as shown in FIG. 1;
FIG. 3 is a rear elevation view of the design as shown in FIG. 1;
FIG. 4 is a right side elevation view of the design shown in FIG. 1;
FIG. 5 is a left side elevation view of the design as shown in FIG. 1;
FIG. 6 is a bottom view of the design as shown in FIG. 1; and,
FIG. 7 is a top plan view of the design as shown in FIG. 1.
In the drawings, the broken lines depict environmental subject matter only and form no part of the claimed design.

1 Claim, 3 Drawing Sheets



(56)

References Cited

U.S. PATENT DOCUMENTS

2014/0215773 A1* 8/2014 Hortnagl A44B 11/2519
24/633

* cited by examiner

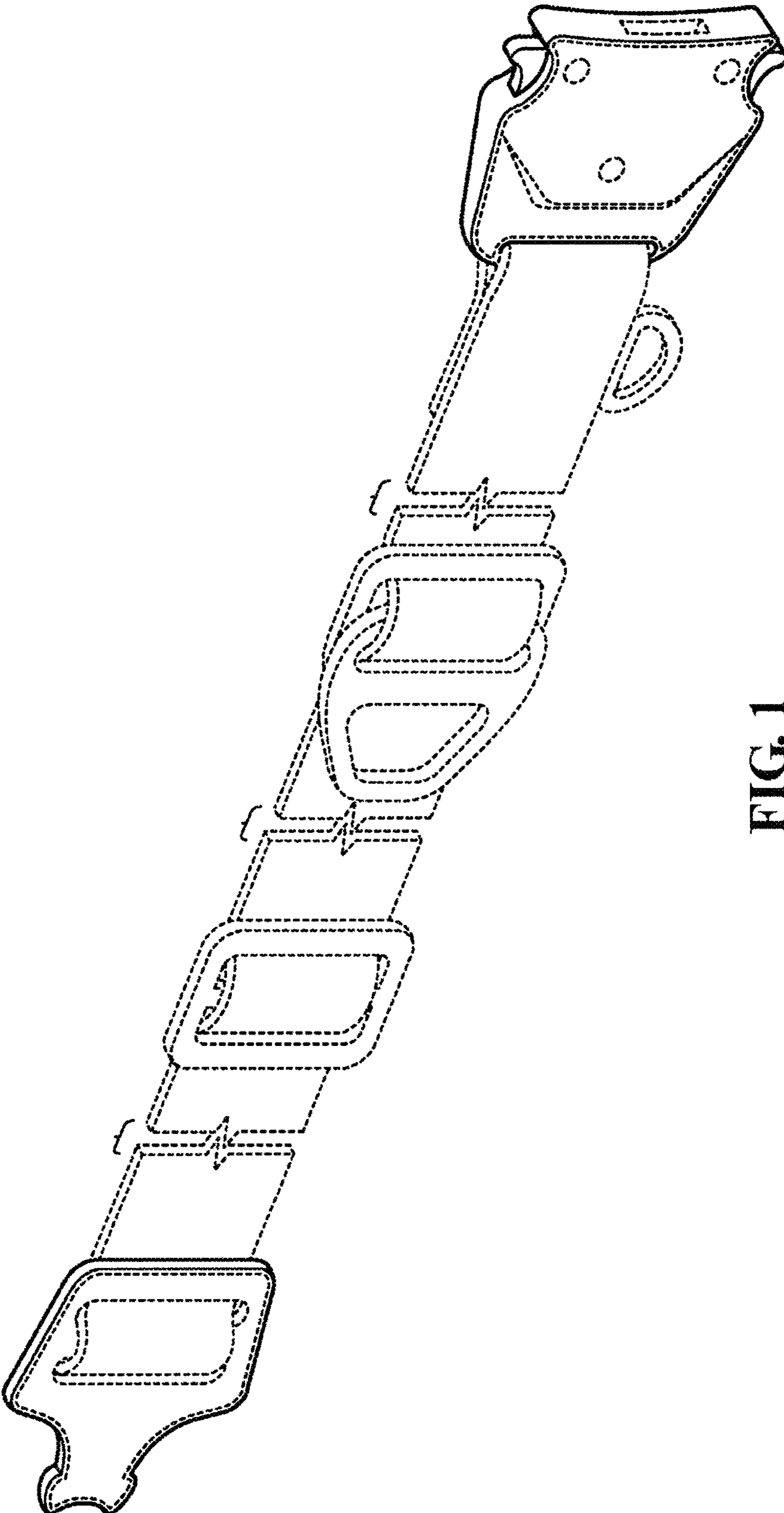


FIG. 1

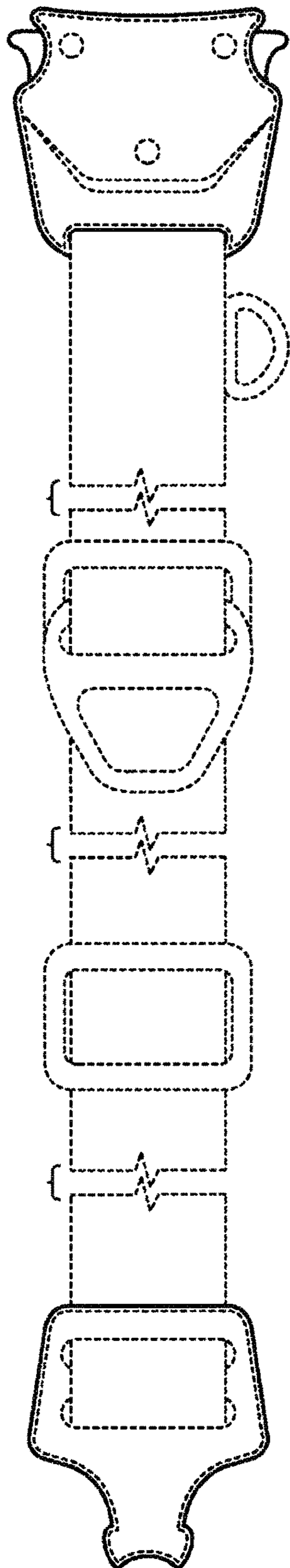


FIG. 2

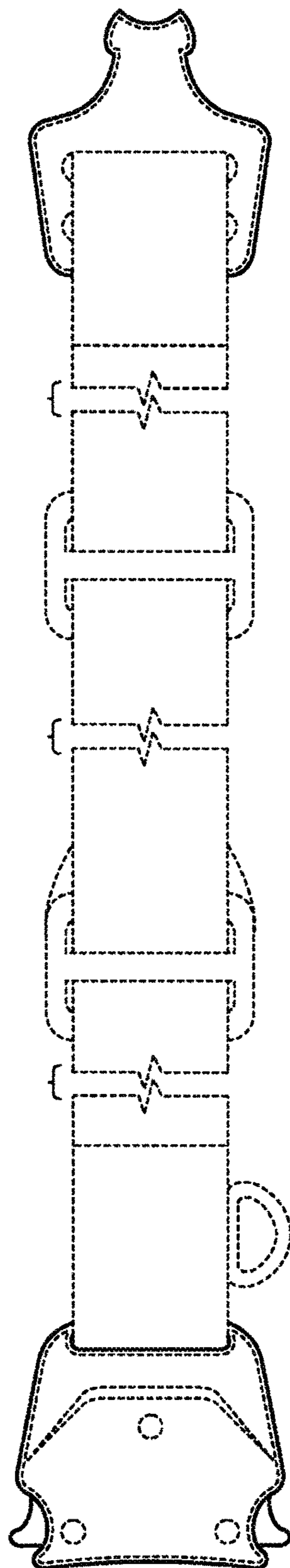


FIG. 3

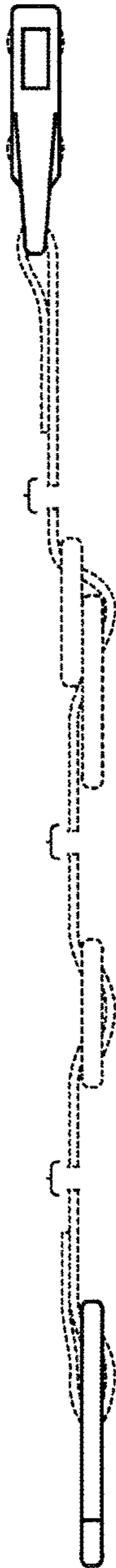


FIG. 4

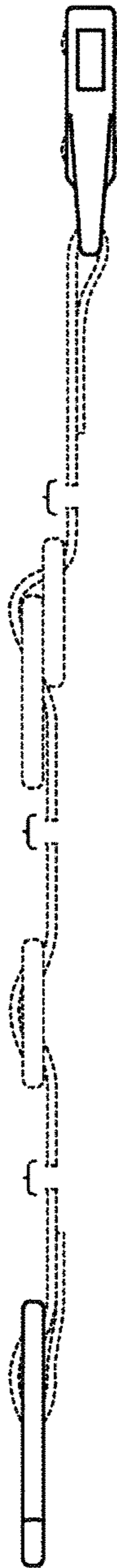


FIG. 5

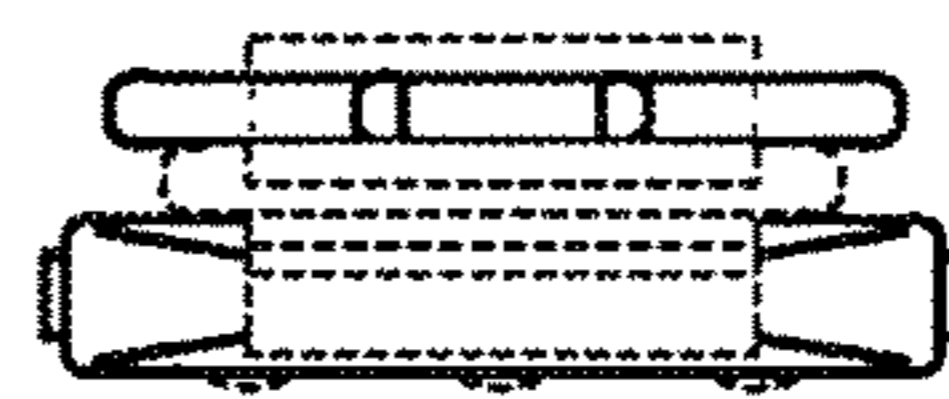


FIG. 6

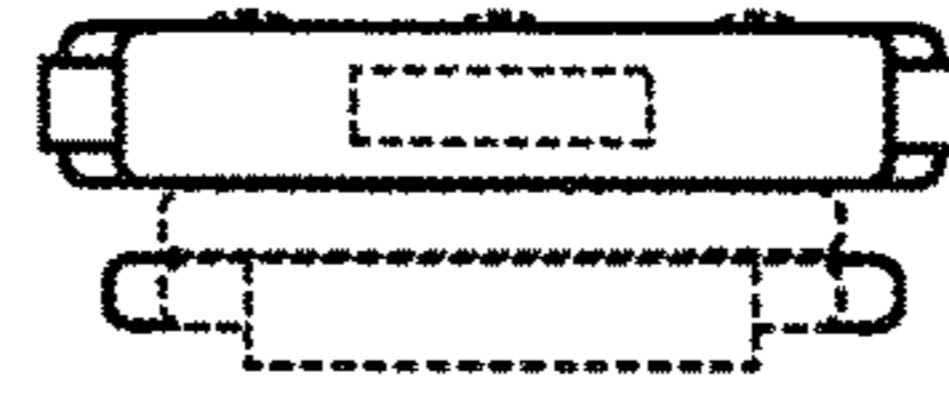


FIG. 7