

US00D799368S

(12) **United States Design Patent** (10) **Patent No.:** **US D799,368 S**
Turvold et al. (45) **Date of Patent:** **** Oct. 10, 2017**

(54) **SEAT BELT BUCKLE GUARD**
(71) Applicant: **eSpecial Needs, LLC**, St. Louis, MO (US)
(72) Inventors: **Aurianna M. Turvold**, Lake St. Louis, MO (US); **Grant M. Hoskins**, Indianapolis, IN (US); **Scott A. Kouri**, St. Louis, MO (US)

5,129,129 A 7/1992 Collins et al.
5,189,767 A 3/1993 Reitsma
5,205,023 A 4/1993 Hunter et al.
5,307,544 A 5/1994 Quarberg et al.
5,329,676 A 7/1994 Kobayashi
5,442,840 A 8/1995 Ewald
5,617,617 A 4/1997 Gustin
5,749,130 A 5/1998 Bilyeu et al.
5,907,892 A 6/1999 Todd
6,041,480 A 3/2000 White

(Continued)

(73) Assignee: **ESPECIAL NEEDS**, St. Louis, MO (US)

Primary Examiner — Ralf T Seifert

(74) *Attorney, Agent, or Firm* — Harness, Dickey & Pierce, P.L.C.

(**) Term: **15 Years**

(21) Appl. No.: **29/560,355**

(57) **CLAIM**

The ornamental design for a seat belt buckle guard, as shown and described.

(22) Filed: **Apr. 6, 2016**

(51) **LOC (10) Cl.** **11-03**

(52) **U.S. Cl.**

USPC **D11/200**

(58) **Field of Classification Search**

USPC D11/1-2, 200-201, 206-210, 214-218;
24/163 R, 169-171, 173, 177-179, 191,
24/194-195, 197, 200, 614-616, 625,
24/633, 198, 578.11, 578.1, 163 K, 114
CPC A44B 11/26; A44B 11/25; A44B 11/06
See application file for complete search history.

DESCRIPTION

FIG. 1 is a perspective view of an embodiment of a seat belt buckle guard;
FIG. 2 is a front view of the seat belt buckle guard of FIG. 1;
FIG. 3 is a rear view of the seat belt buckle guard of FIG. 1;
FIG. 4 is a top plan view of the seat belt buckle guard of FIG. 1;
FIG. 5 is a bottom plan view of the seat belt buckle guard of FIG. 1;
FIG. 6 is a left side view of the seat belt buckle guard of FIG. 1; and,
FIG. 7 is a right side view of the seat belt buckle guard of FIG. 1.

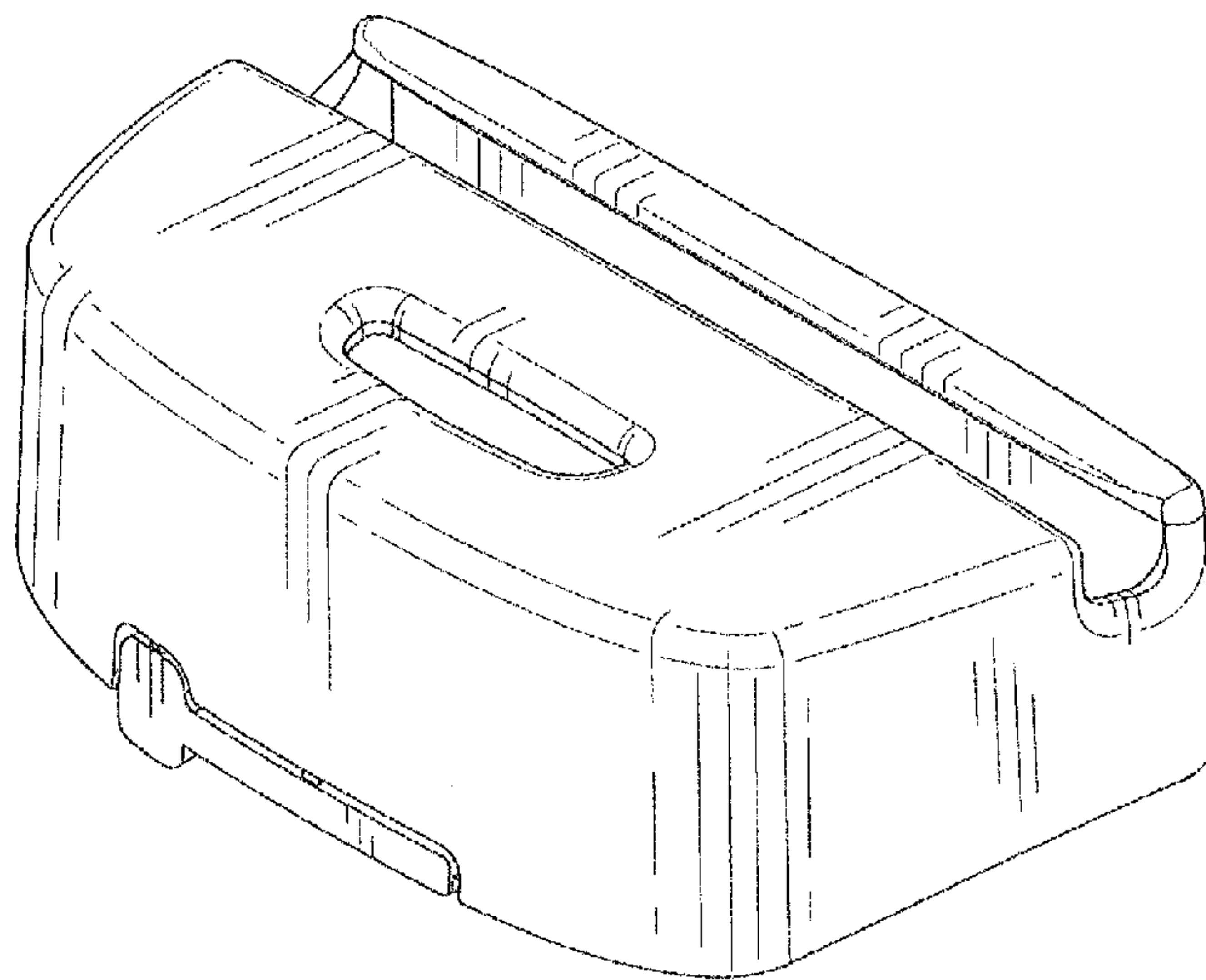
It is to be understood that those portions of the seat belt buckle guard shown in broken line in the accompanying figures do not constitute an integral part of the claimed design and, therefore, are disclaimed as part of the claimed design.

(56) **References Cited**

U.S. PATENT DOCUMENTS

D204,523 S * 4/1966 Cole D12/315
4,497,094 A 2/1985 Morris
4,502,194 A 3/1985 Morris et al.
4,575,908 A 3/1986 Gloomis et al.
4,624,033 A 11/1986 Orton
4,675,954 A 6/1987 Gullickson
4,731,912 A 3/1988 Boriskie et al.
4,901,407 A 2/1990 Pandola et al.
4,961,251 A 10/1990 Smith
4,987,662 A 1/1991 Haffey et al.
5,052,087 A 10/1991 Portuese

1 Claim, 4 Drawing Sheets



(56)

References Cited

U.S. PATENT DOCUMENTS

6,138,331	A	10/2000	Powers	
6,332,252	B1	12/2001	Powers	
6,769,157	B1	8/2004	Meal	
6,988,297	B2	1/2006	Willard et al.	
7,506,418	B2	3/2009	Dingel	
D630,970	S *	1/2011	McNaughton	D11/200
D633,413	S *	3/2011	McNaughton	D11/200
8,393,061	B2	3/2013	McGlynn	
8,677,577	B2	3/2014	McGlynn	
D708,420	S *	7/2014	Rosales	D11/200
8,776,332	B2	7/2014	Kosh et al.	
2002/0112327	A1	8/2002	Baloga	
2003/0079321	A1	5/2003	Dean et al.	
2007/0289111	A1	12/2007	Mandarino et al.	
2008/0016660	A1	1/2008	Riddle	
2014/0208549	A1	7/2014	McGlynn	

* cited by examiner

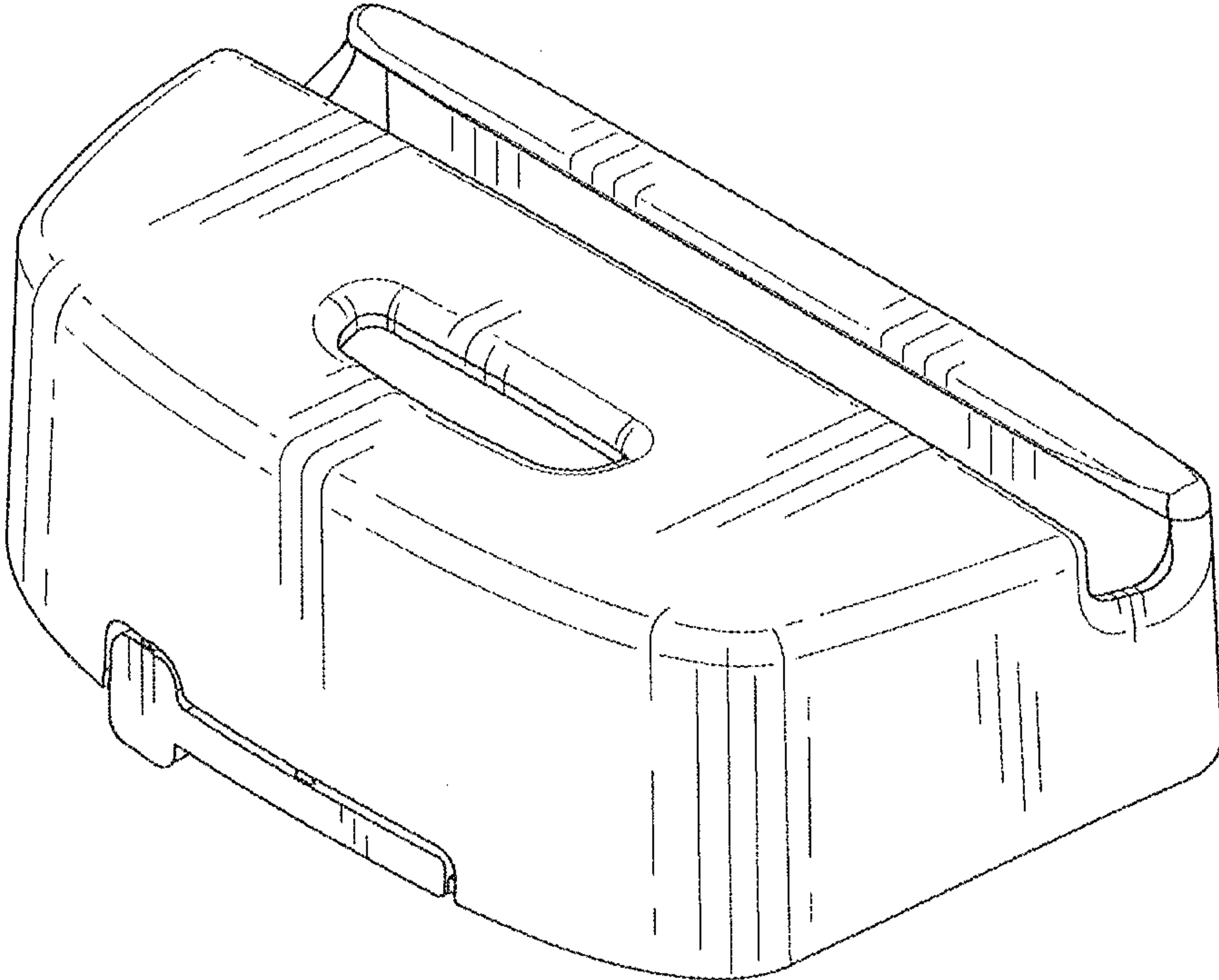


FIG. 1

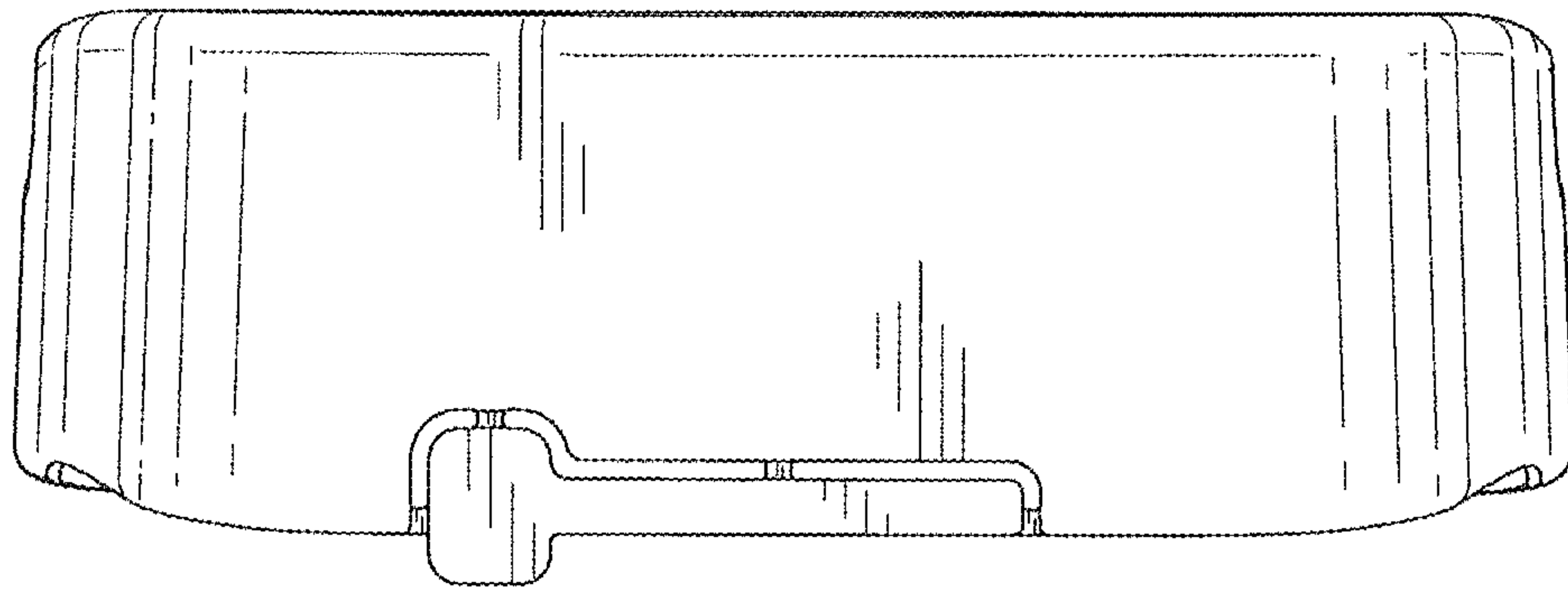


FIG. 2

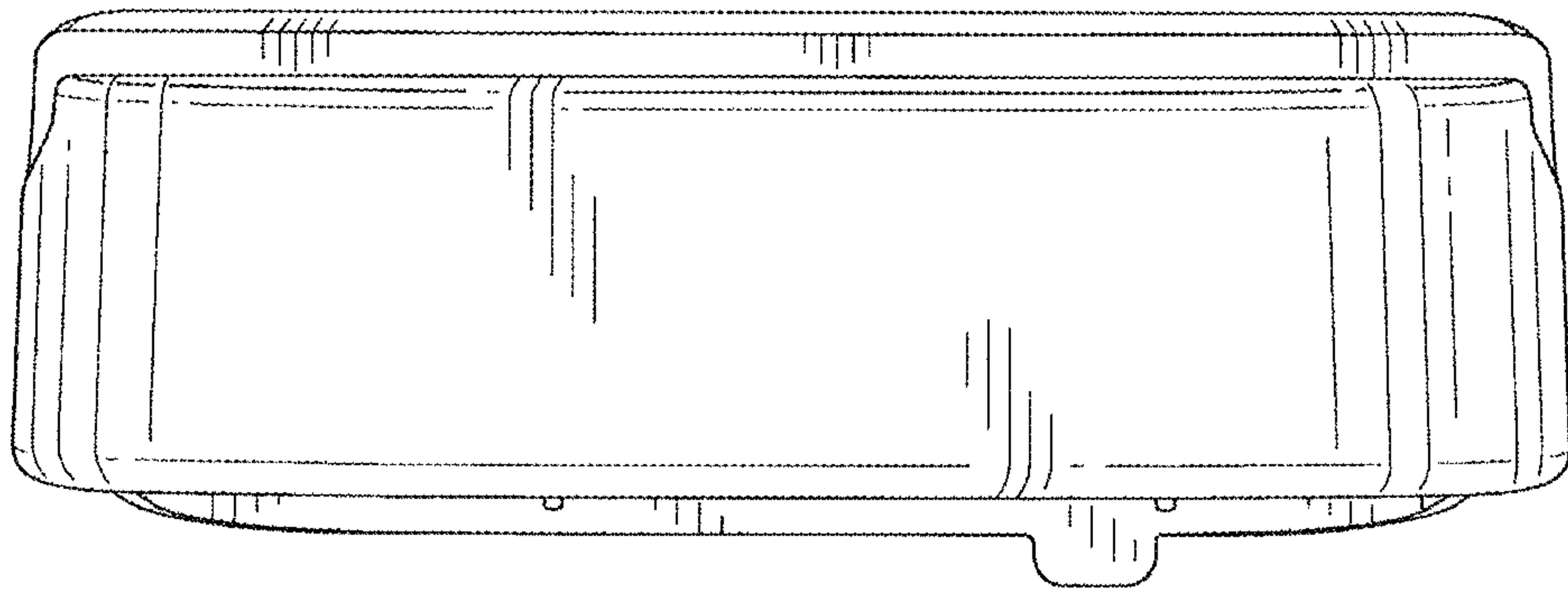


FIG. 3

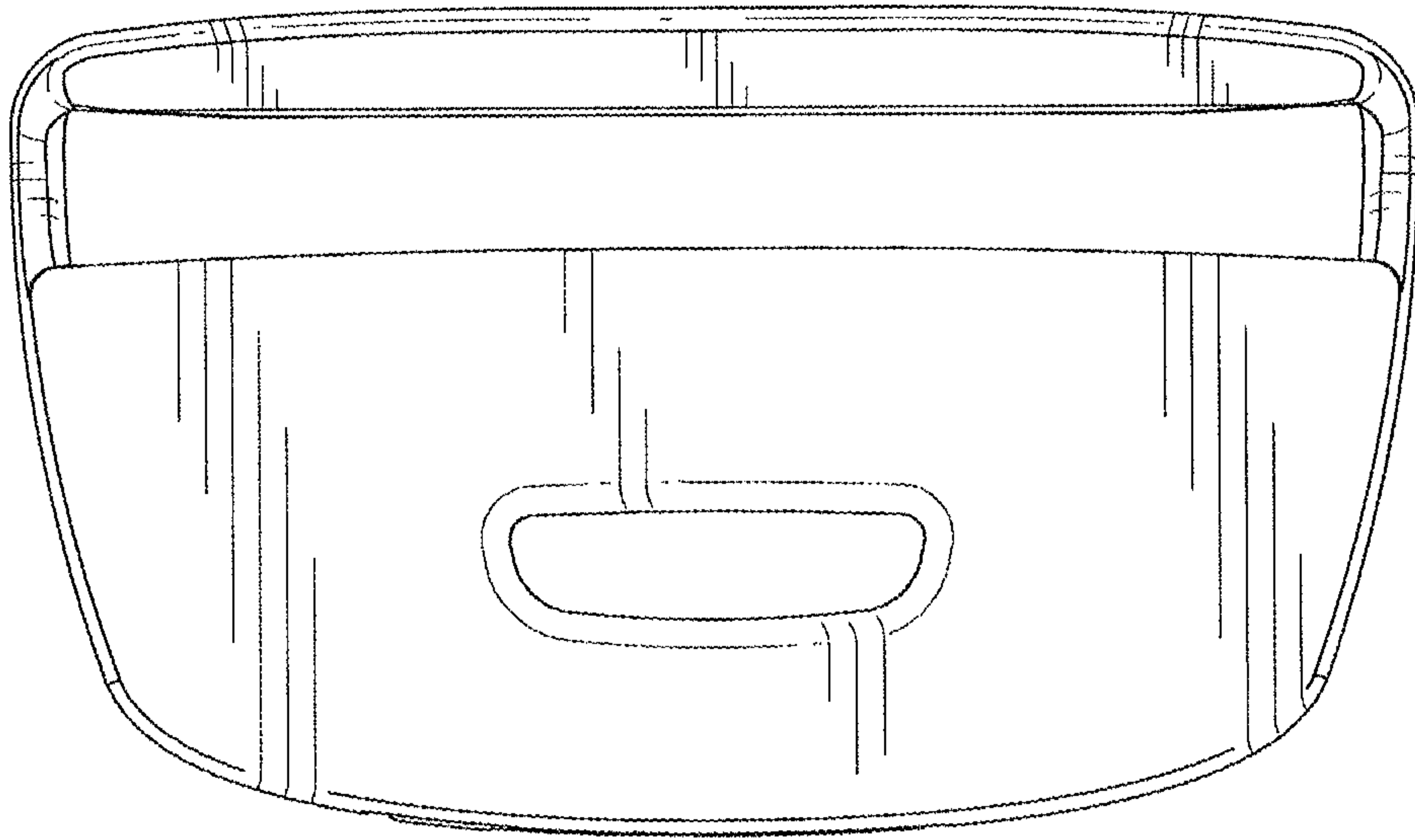


FIG. 4

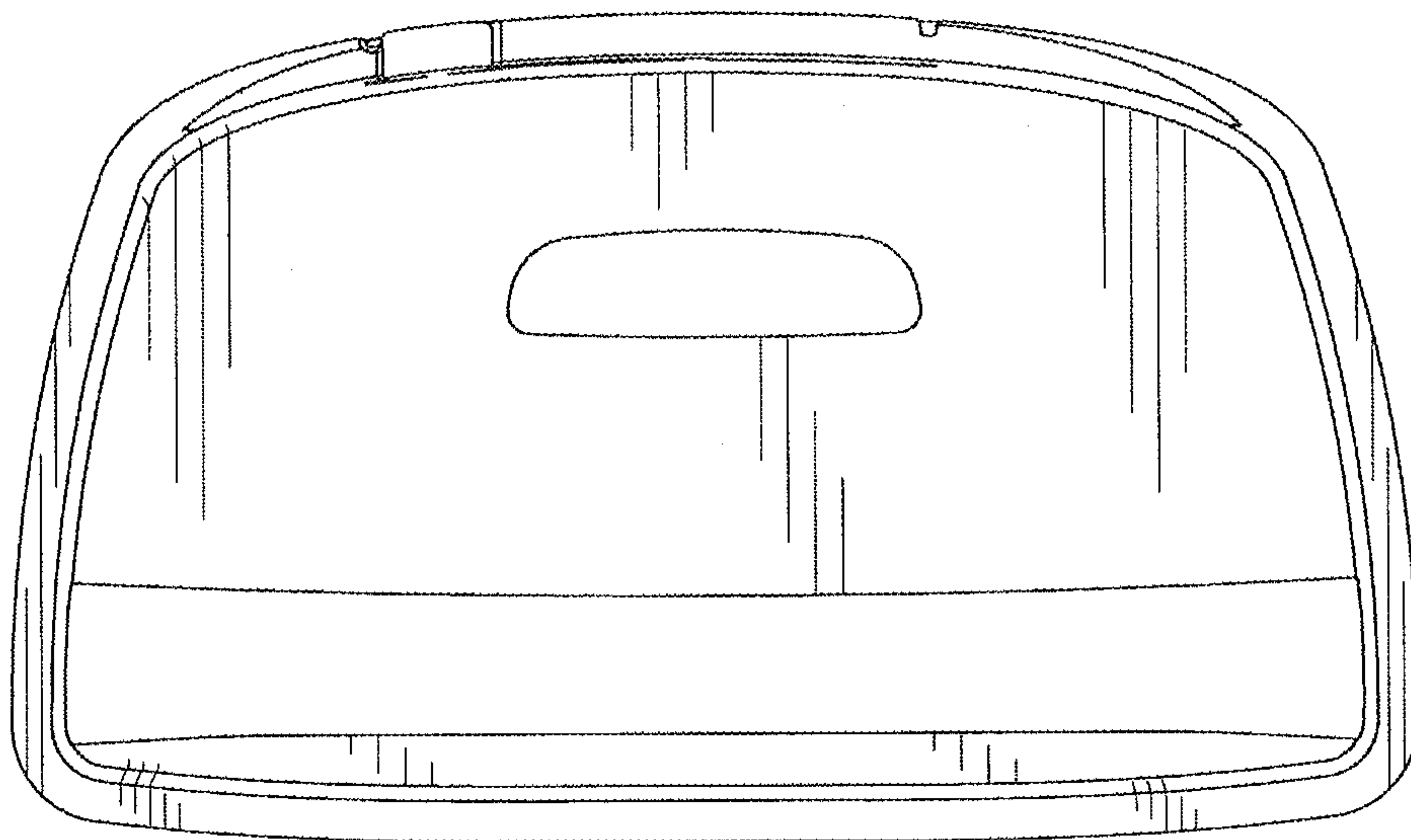


FIG. 5

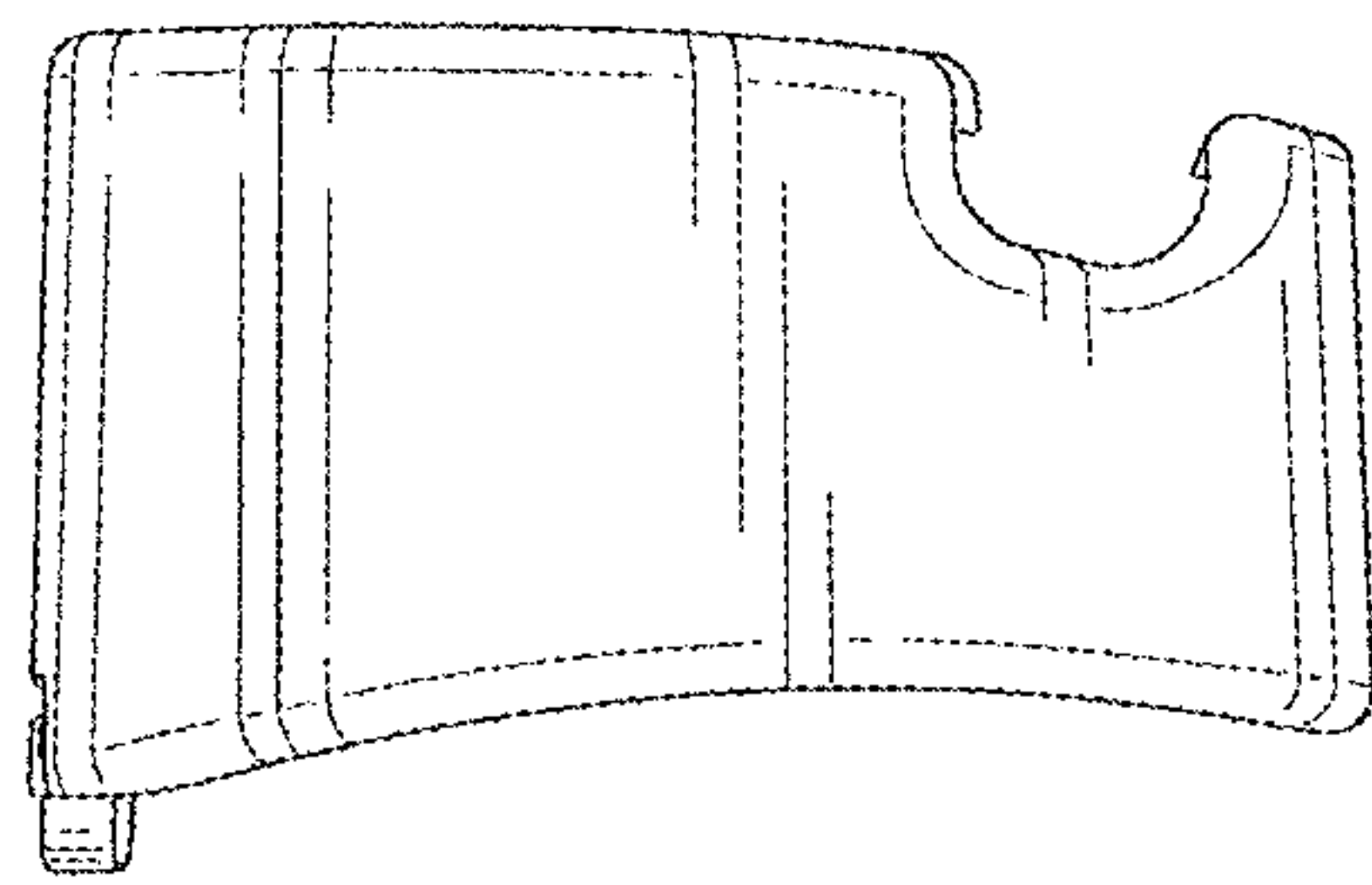


FIG. 6

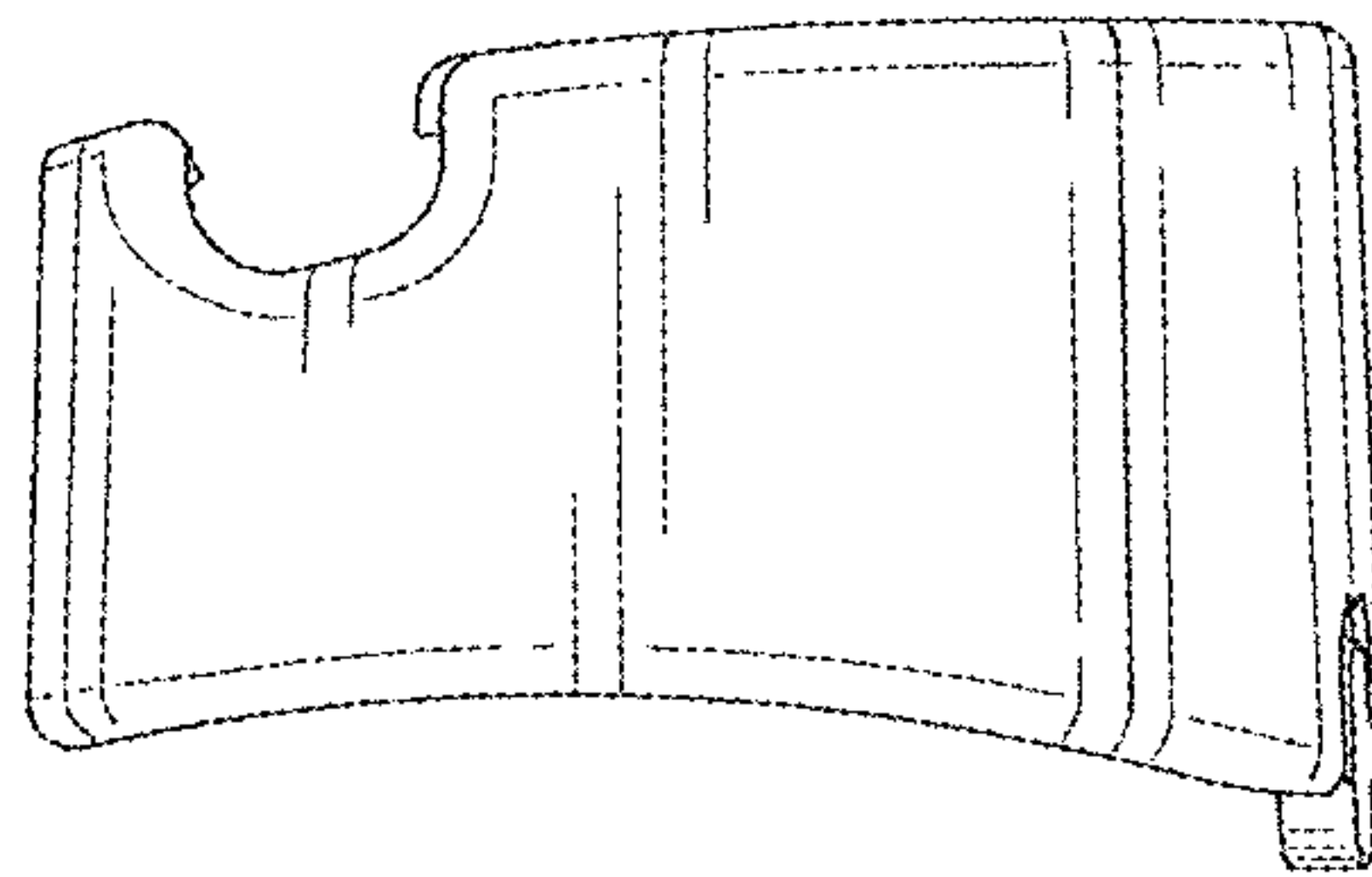


FIG. 7