



US00D799366S

(12) **United States Design Patent** (10) **Patent No.:** **US D799,366 S**
Paz (45) **Date of Patent:** **** Oct. 10, 2017**

- (54) **GEM**
- (71) Applicant: **Avi Paz**, Tel Aviv (IL)
- (72) Inventor: **Avi Paz**, Tel Aviv (IL)
- (**) Term: **15 Years**
- (21) Appl. No.: **29/554,385**
- (22) Filed: **Feb. 11, 2016**
- (51) **LOC (10) Cl.** **11-01**
- (52) **U.S. Cl.**
USPC **D11/89**
- (58) **Field of Classification Search**
USPC D11/1-2, 26-29, 89-92; 63/26-28, 32
CPC A44C 17/00; A44C 17/01
See application file for complete search history.

- D691,915 S * 10/2013 Hodzic D11/89
- D753,537 S * 4/2016 Modi D11/90
- D767,441 S * 9/2016 Schweiger D11/89

* cited by examiner

Primary Examiner — Ralf Seifert
 (74) *Attorney, Agent, or Firm* — Stuart M. Goldstein

(57) **CLAIM**

The ornamental design for a gem, as shown and described.

DESCRIPTION

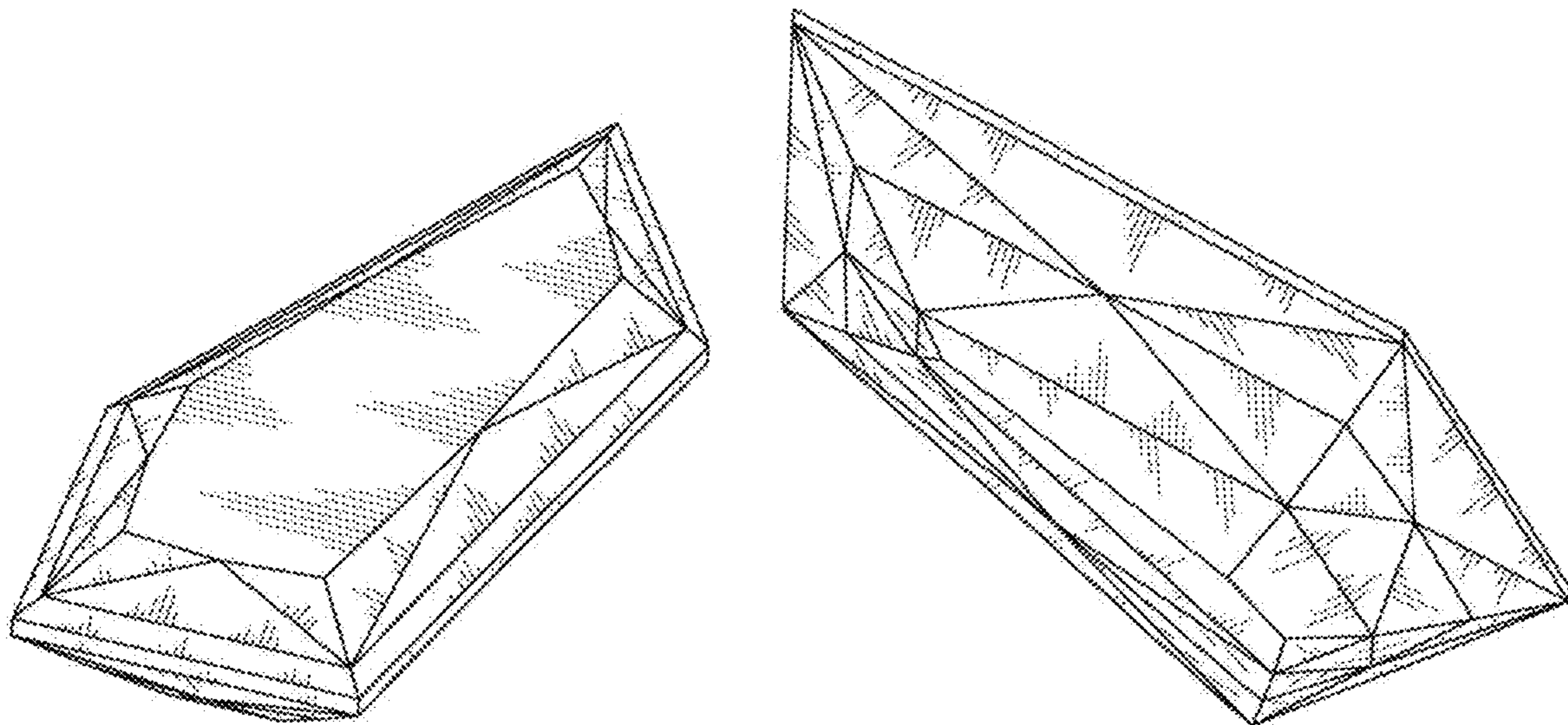
FIG. 1 is a top perspective view of the gem of the present invention.
 FIG. 2 is a bottom perspective view of the gem of the present invention.
 FIG. 3 is a top plan view of the gem of the present invention.
 FIG. 4 is a bottom plan view of the gem of the present invention.
 FIG. 5 is an elevation view of the gem of the present invention.
 FIG. 6 is the opposite elevation view of the gem of the present invention.
 FIG. 7 is an end view of the gem of the present invention; and,
 FIG. 8 is the opposite end view of the gem of the present invention.

(56) **References Cited**

U.S. PATENT DOCUMENTS

- D68,597 S * 10/1925 Robbins D11/90
- D81,382 S * 6/1930 Dinhofer D11/90
- D254,837 S * 4/1980 Breaux 141/392
- D533,805 S * 12/2006 Hacmon D11/90
- D543,893 S * 6/2007 Tabertshofer D11/90
- D560,547 S * 1/2008 Kumar D11/90
- D585,325 S * 1/2009 Rossmann D11/90
- D610,937 S * 3/2010 Meyer D11/89
- D653,152 S * 1/2012 Bartl D11/89
- D654,824 S * 2/2012 Bartl D11/89

1 Claim, 4 Drawing Sheets



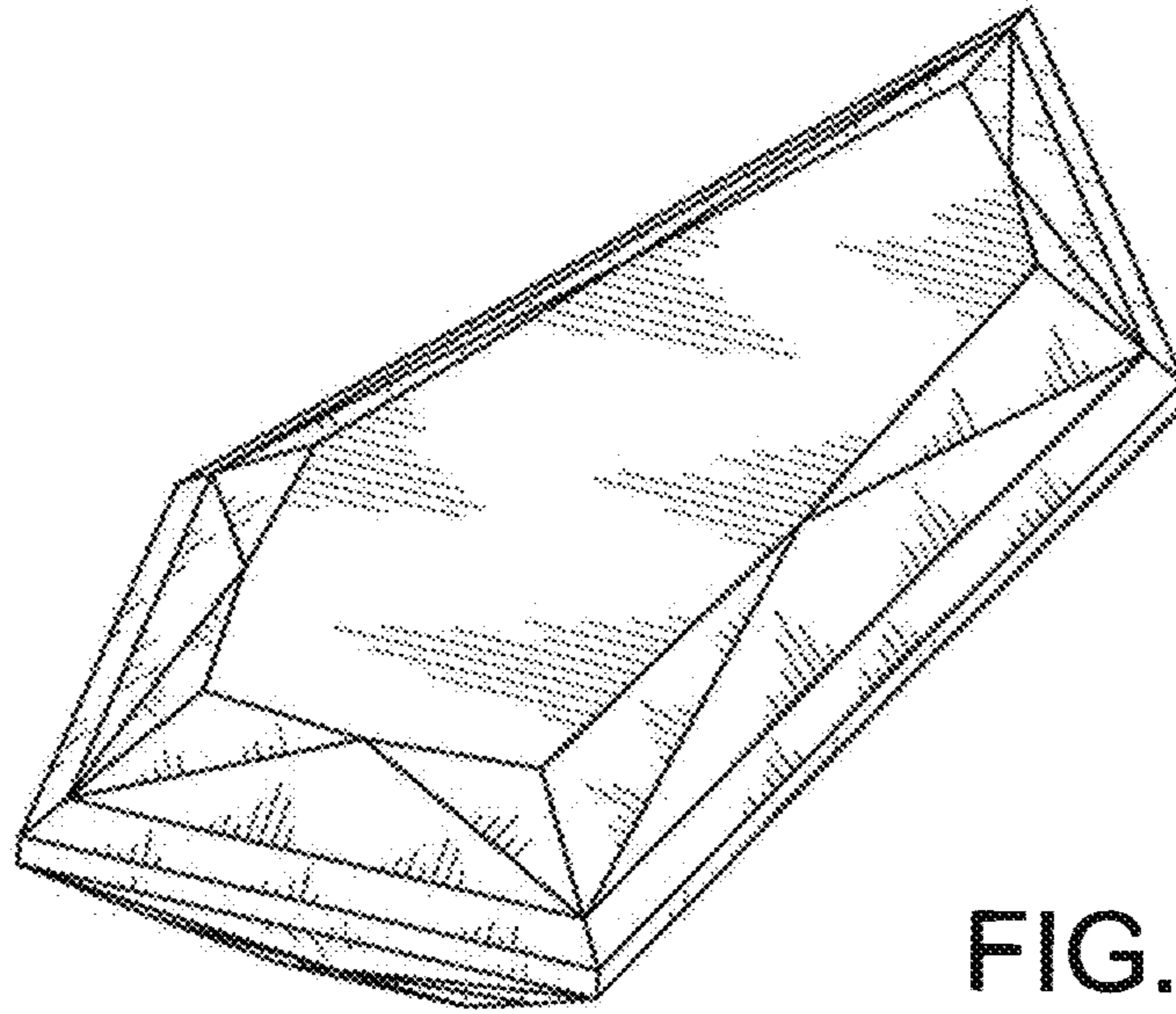


FIG. 1

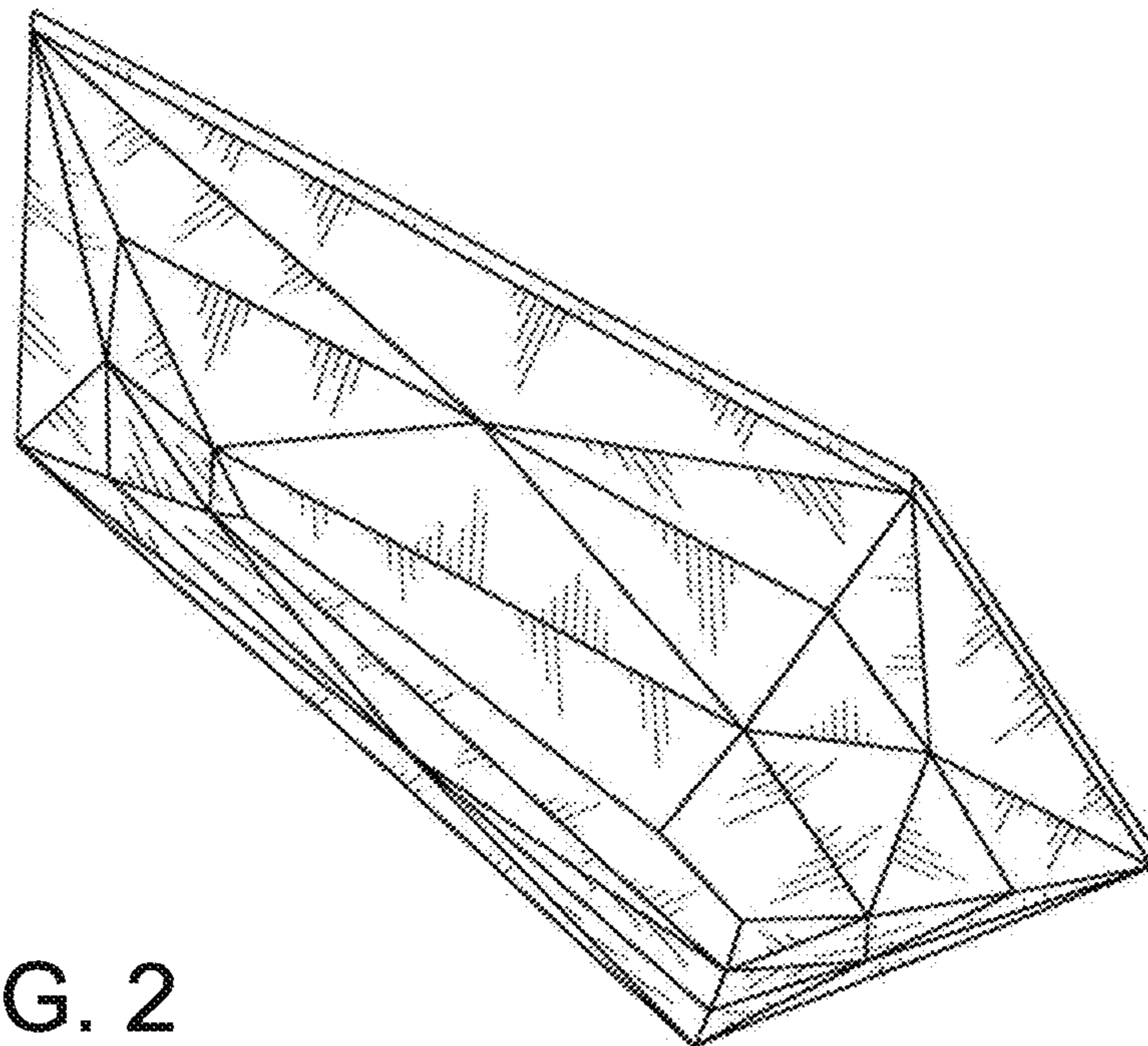


FIG. 2

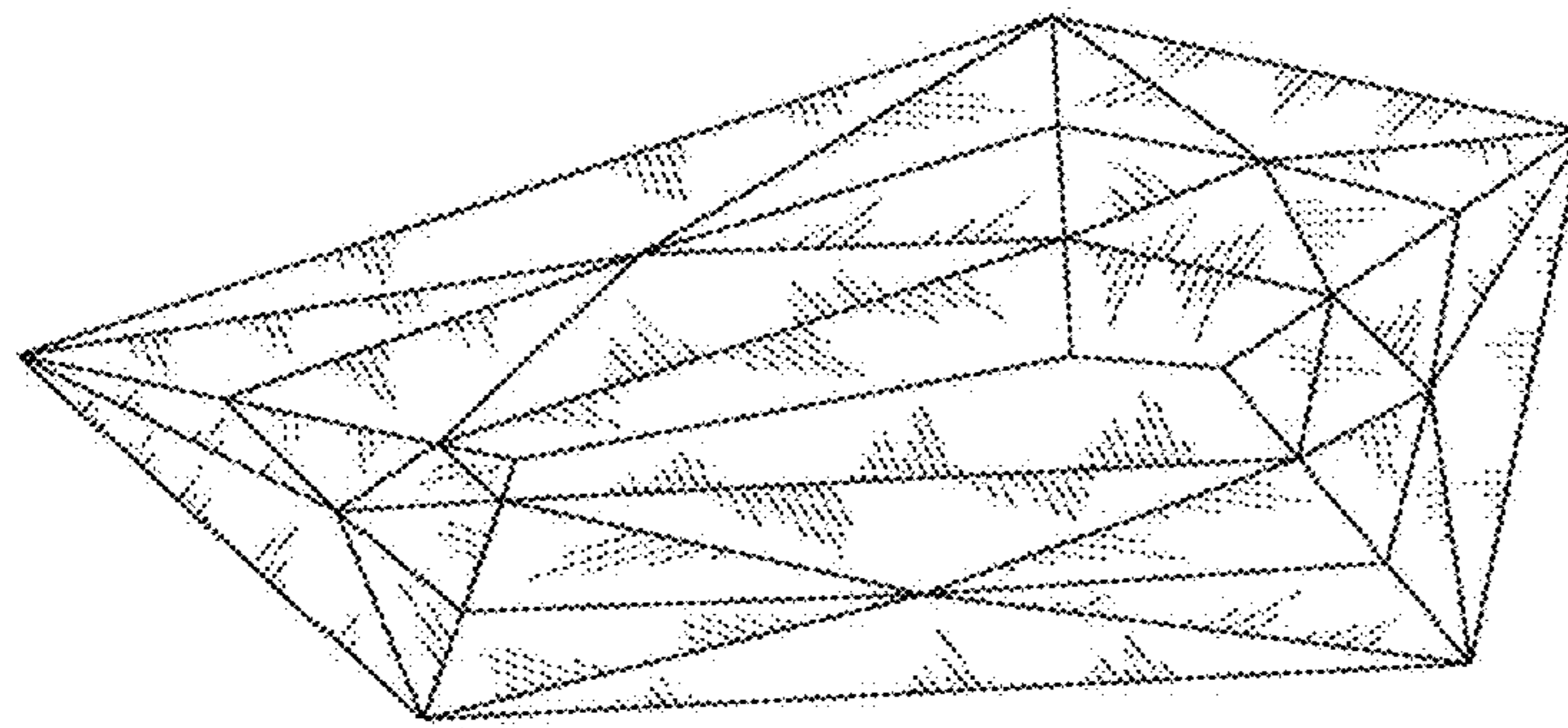


FIG. 4

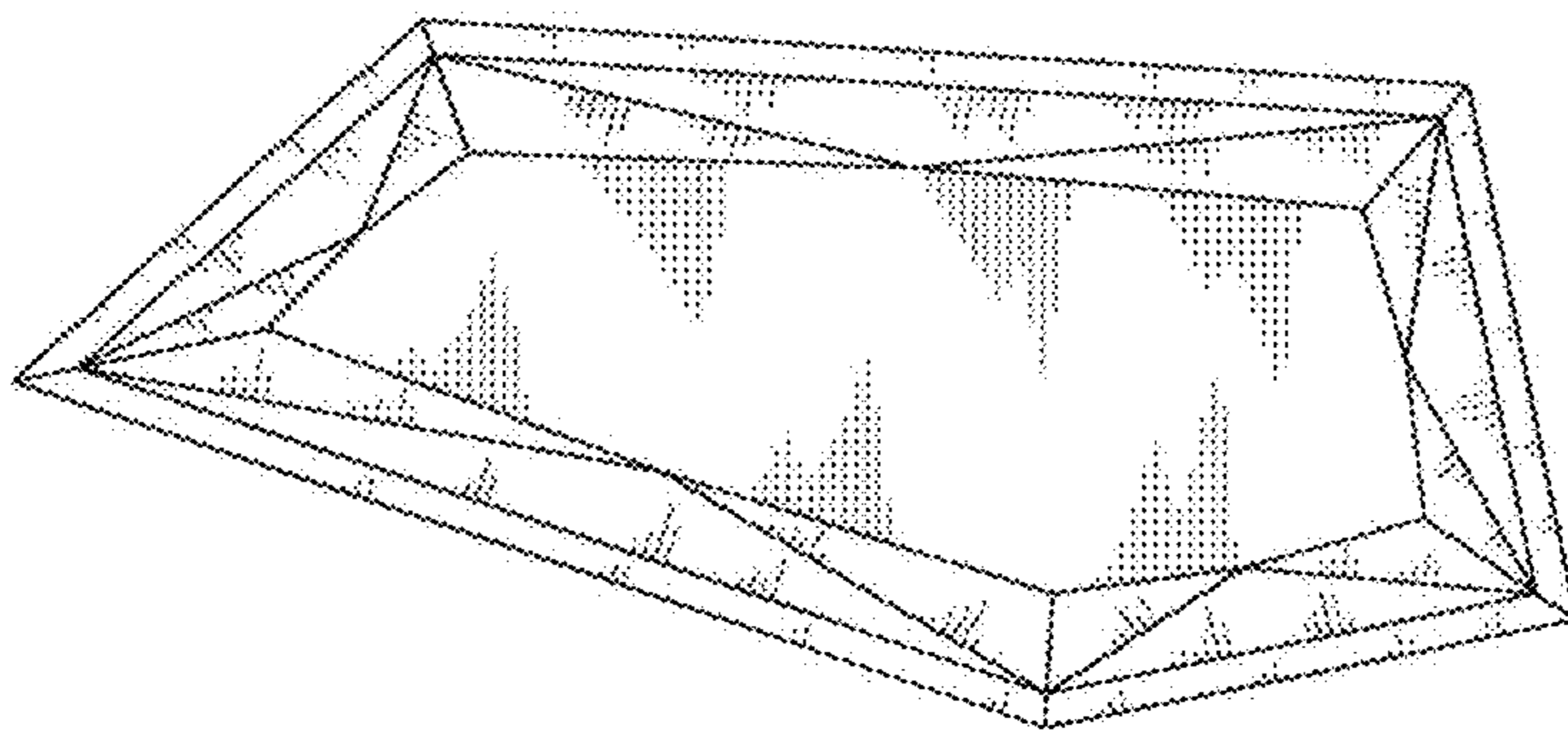


FIG. 3

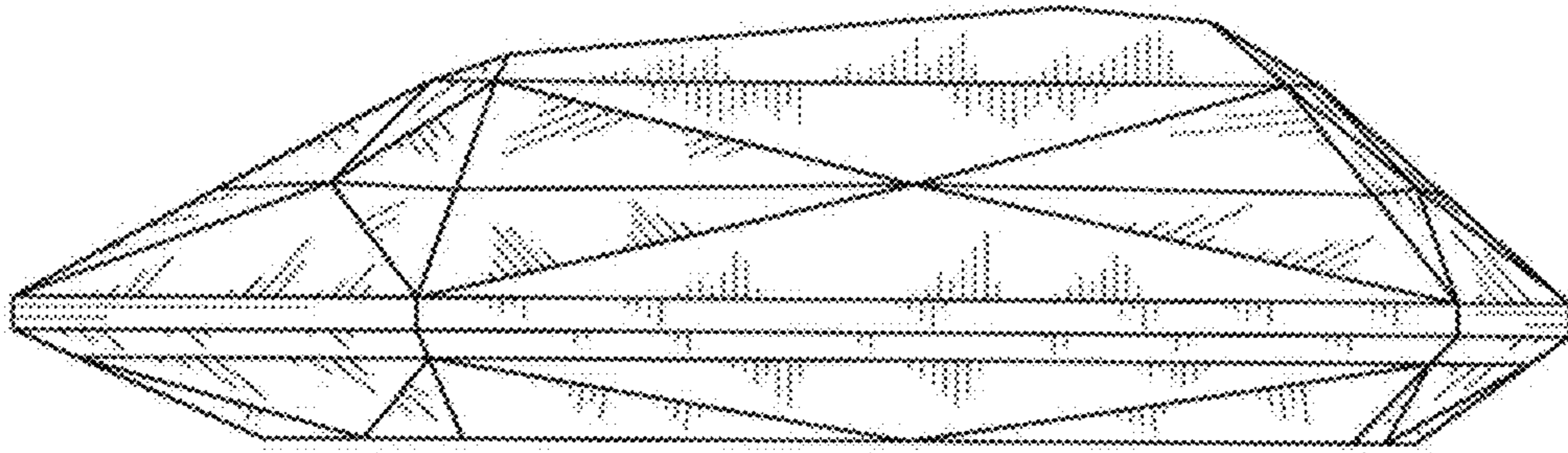


FIG. 6

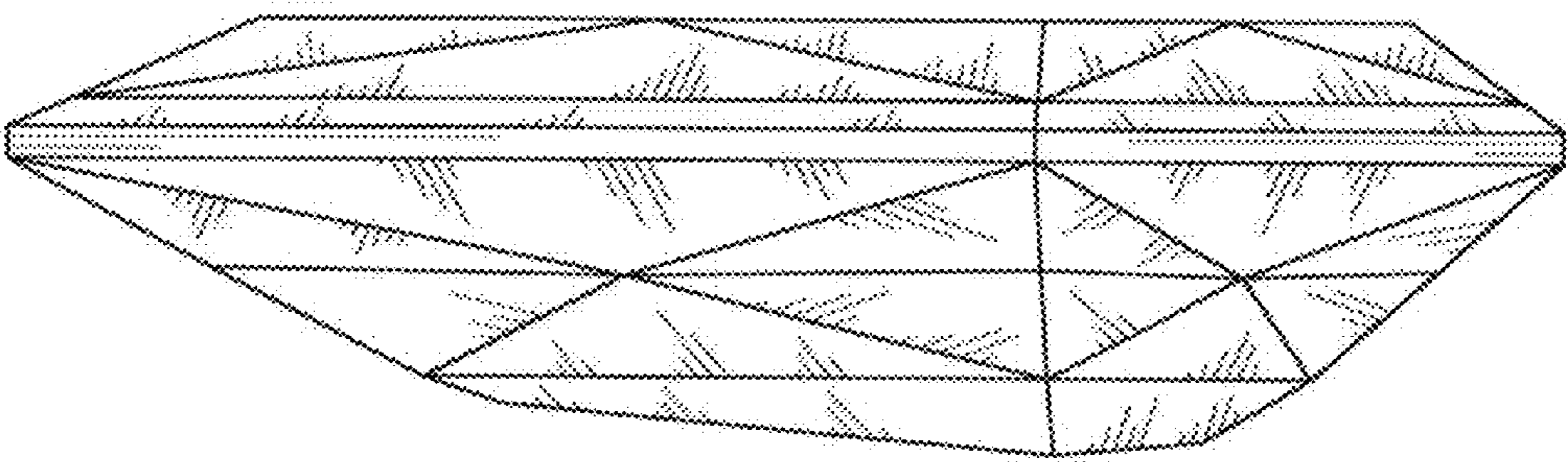


FIG. 5

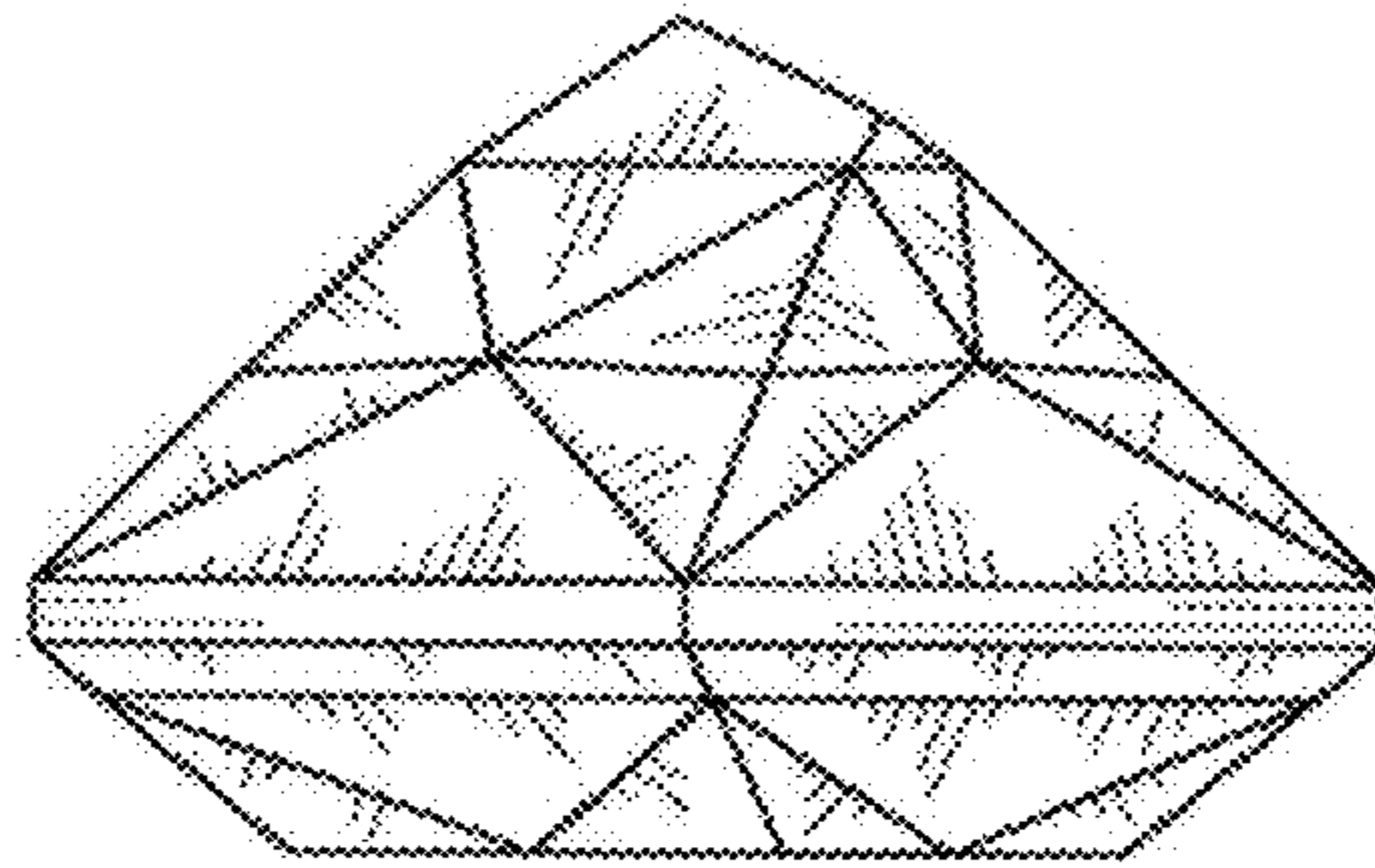


FIG. 7

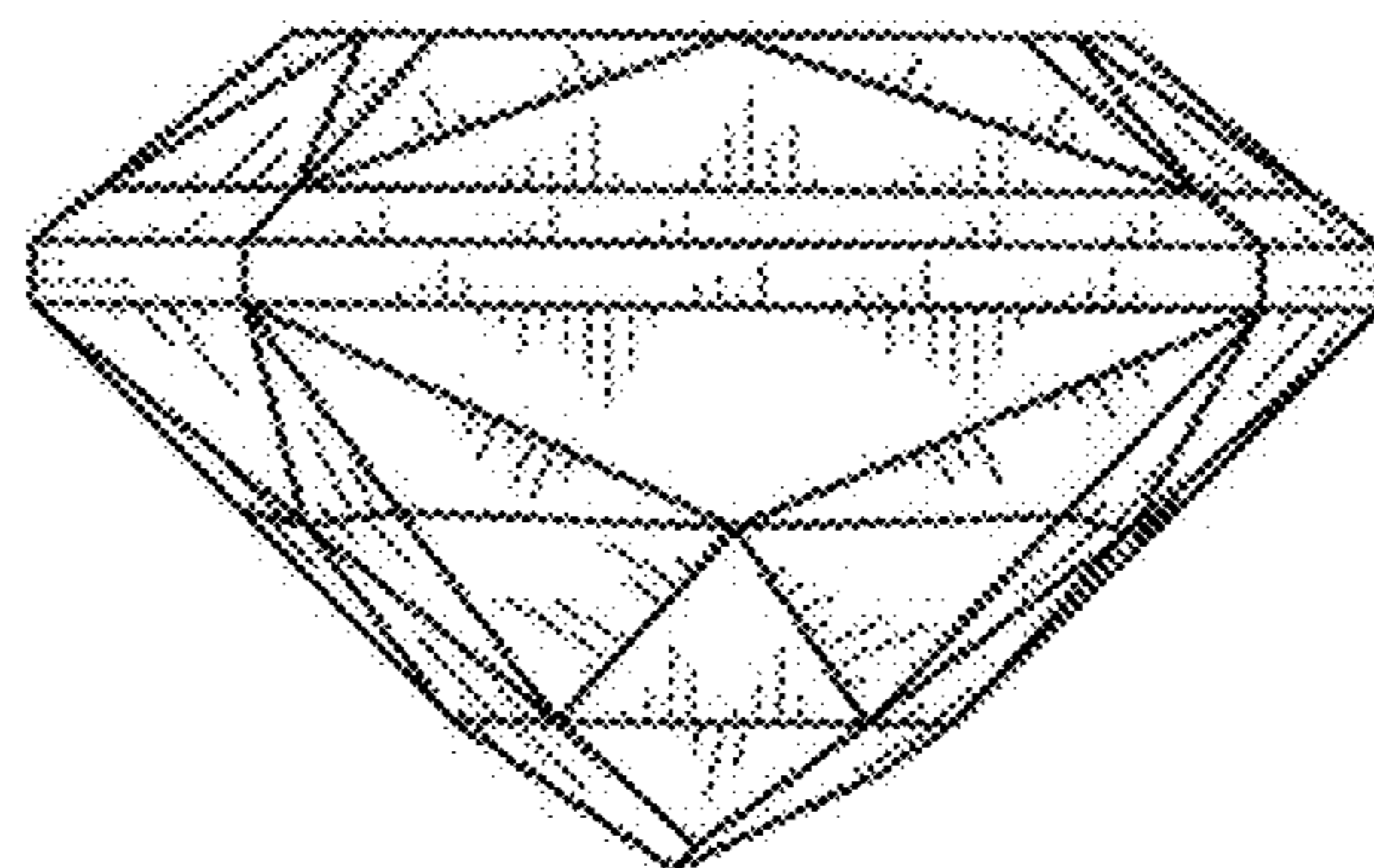


FIG. 8