



US00D799362S

(12) **United States Design Patent**
Haynes

(10) **Patent No.:** **US D799,362 S**

(45) **Date of Patent:** **** Oct. 10, 2017**

(54) **ADAPTABLE BRACELET DEVICE**

(71) Applicant: **Joshua Haynes**, Dallas, TX (US)

(72) Inventor: **Joshua Haynes**, Dallas, TX (US)

(**) Term: **15 Years**

(21) Appl. No.: **29/565,183**

(22) Filed: **May 18, 2016**

(51) **LOC (10) Cl.** **11-01**

(52) **U.S. Cl.**
USPC **D11/5**

(58) **Field of Classification Search**

USPC D11/1-18, 86; 40/633

CPC A44C 5/00; A44C 5/0007; A44C 5/0015;

A44C 5/0023; A44C 5/003; A44C

5/0038; A44C 5/0046; A44C 5/0053;

A44C 5/0061; A44C 5/0069; A44C

5/0076; A44C 5/0084; A44C 5/0092;

A44C 5/12; A44C 9/00; A44C 9/0038;

A44C 9/0046; A44C 9/0053; A44C

9/0061; A44C 9/0069; A44C 9/0084;

A44C 9/02; A44C 15/00; A44C 15/001;

A44C 15/0015; A44C 15/002; A44C

15/0025; A44C 15/003; A44C 15/004;

G09F 3/005

See application file for complete search history.

(56) **References Cited**

U.S. PATENT DOCUMENTS

2,954,620 A * 10/1960 Schneider G09F 3/005

40/633

5,113,533 A * 5/1992 Takada A44C 5/12

2/1

5,364,133 A * 11/1994 Hofer G09F 3/005

283/75

D368,231 S * 3/1996 McFadden D11/4

5,740,623 A * 4/1998 Juhan G09F 3/005

40/633

5,857,217 A * 1/1999 Hsueh A44C 5/0007

63/21

D542,687 S * 5/2007 Brown D11/4

D547,228 S * 7/2007 Rozsavolgyi D11/5

D548,129 S * 8/2007 Fineide D11/5

(Continued)

Primary Examiner — Cynthia Ramirez

Assistant Examiner — Llorellys Martinez-Rivera

(74) *Attorney, Agent, or Firm* — Law Office of Jeff

Williams; J. Oliver Williams

(57) **CLAIM**

The ornamental design for an adaptable bracelet device, as shown and described.

DESCRIPTION

FIG. 1 is a perspective view of an adaptable bracelet device according to the present application.

FIG. 2 is a front view of the adaptable bracelet device of FIG. 1.

FIG. 3 is a back view of the adaptable bracelet device of FIG. 1.

FIG. 4 is a right view of the adaptable bracelet device of FIG. 1.

FIG. 5 is a left view of the adaptable bracelet device of FIG. 1.

FIG. 6 is a top view of the adaptable bracelet device of FIG. 1.

FIG. 7 is a bottom view of the adaptable bracelet device of FIG. 1.

FIG. 8 is an exploded view of the adaptable bracelet device of FIG. 2.

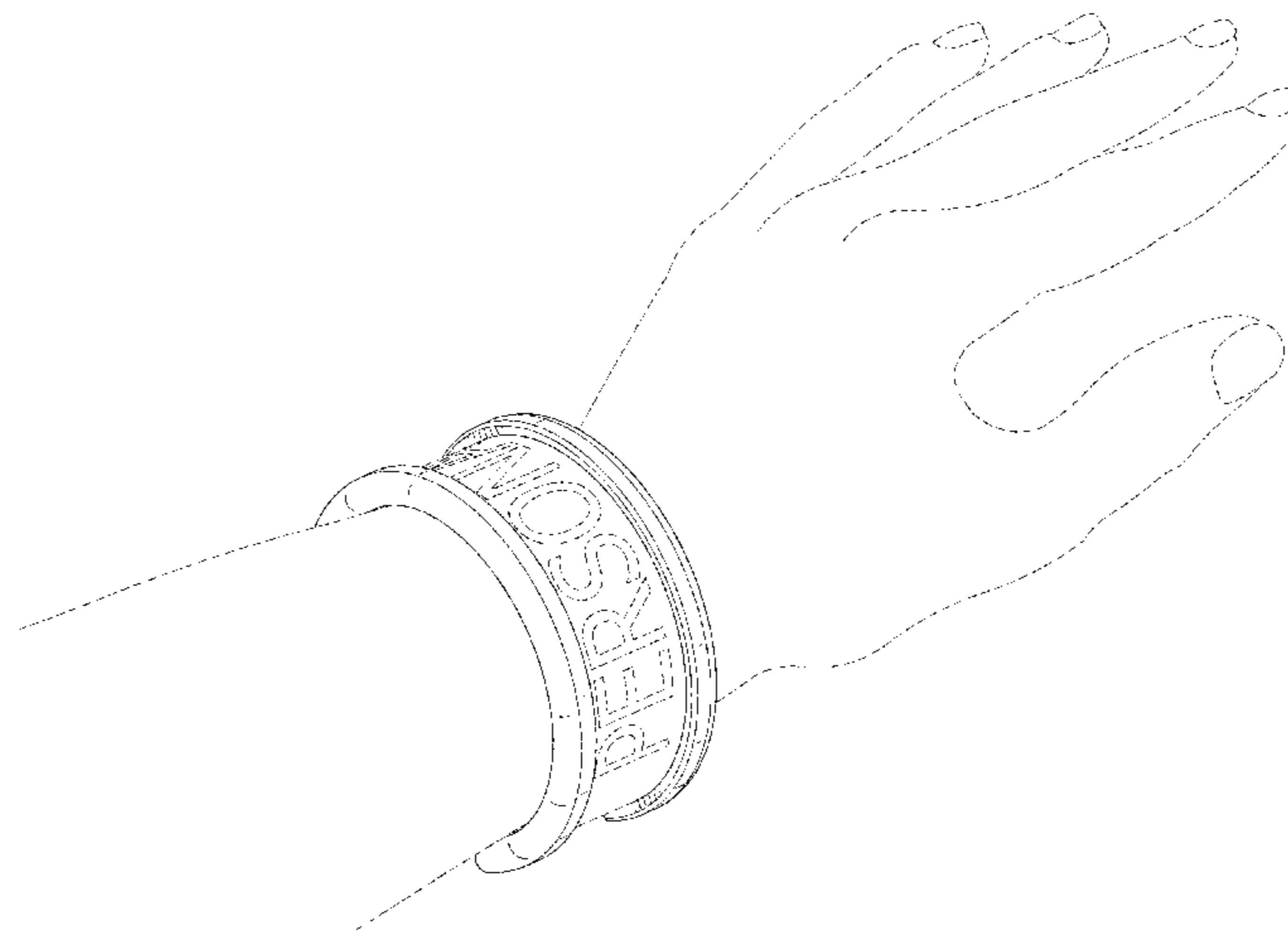
FIG. 9 is an alternate perspective view of the adaptable bracelet device of FIG. 2.

FIG. 10 is a perspective view of an embodiment of the adaptable bracelet device of FIG. 1; and,

FIG. 11 is an alternate perspective view of the adaptable bracelet device of FIG. 10.

The broken lines are included for the purpose of illustrating environmental structure and form no part of the claimed design.

1 Claim, 7 Drawing Sheets



(56)

References Cited

U.S. PATENT DOCUMENTS

D565,448	S *	4/2008	Prak	D11/4
D675,123	S *	1/2013	Nunez	D11/3
8,424,341	B2 *	4/2013	Summerford	A44C 15/005 63/21
D686,217	S *	7/2013	Andre	D11/2
D693,720	S *	11/2013	O'Malley	D11/3
D708,540	S *	7/2014	Norendzayan	D11/1
D722,903	S *	2/2015	Rimsky	D11/3
D725,068	S *	3/2015	Cho	D14/344
D738,877	S *	9/2015	Kim	D14/344
D741,855	S *	10/2015	Park	D14/344
D751,065	S *	3/2016	Magi	D14/344
D759,009	S *	6/2016	Kim	D14/344
D783,607	S *	4/2017	Lee	D14/344
D786,116	S *	5/2017	Thor	D11/4
2002/0002842	A1 *	1/2002	Molfese	A44C 9/00 63/15
2014/0123702	A1 *	5/2014	Pierce	A44C 15/00 63/40

* cited by examiner

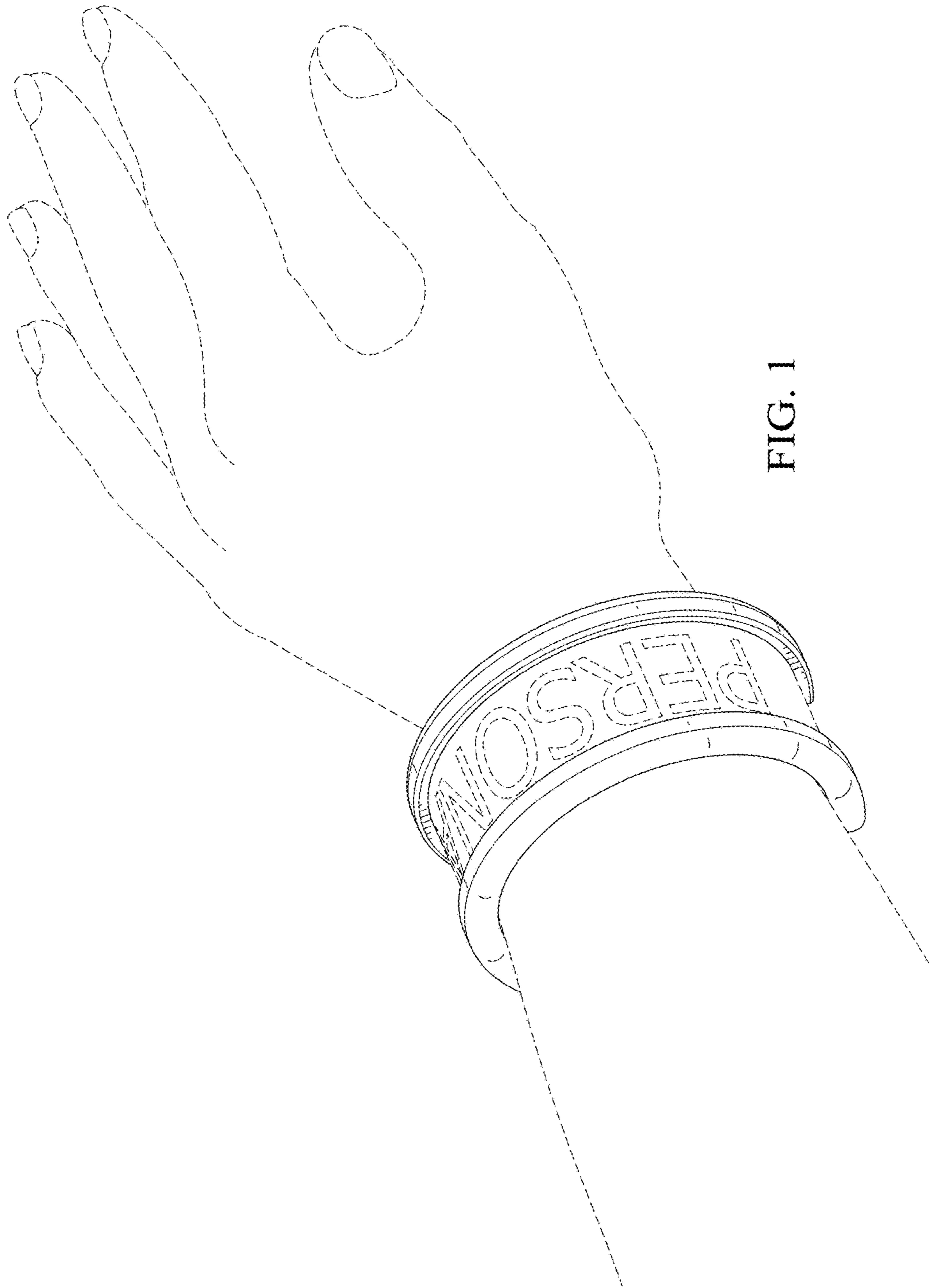


FIG. 1

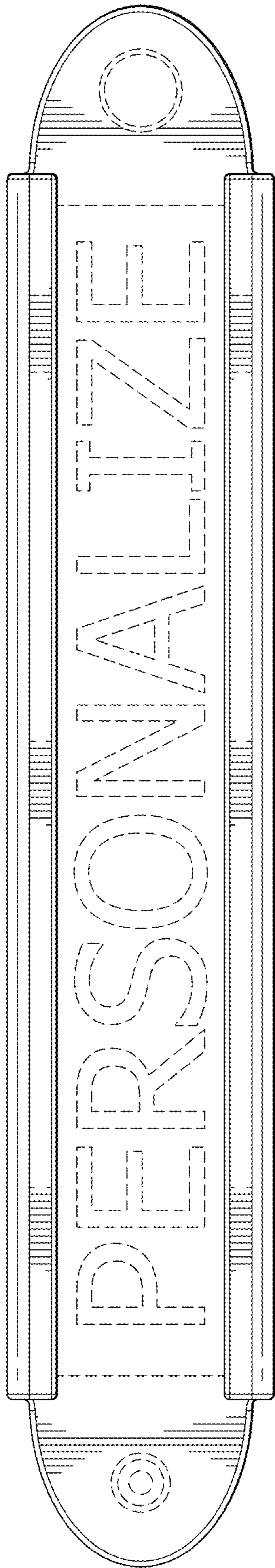


FIG. 2

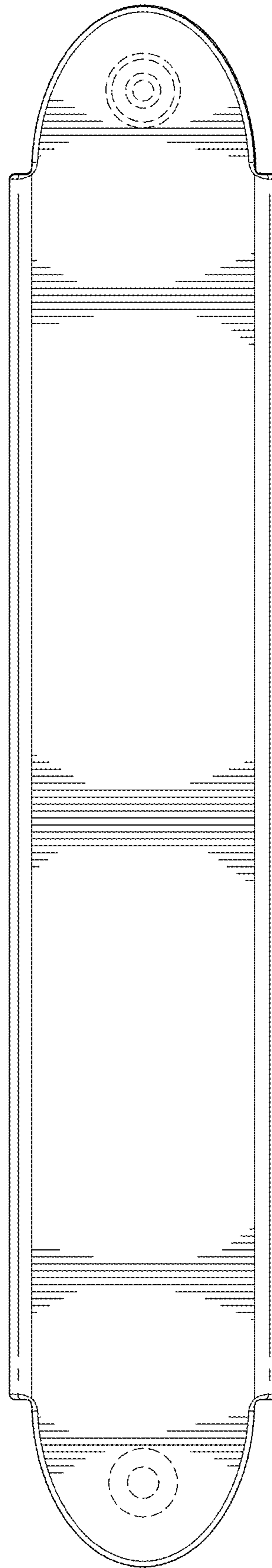


FIG. 3

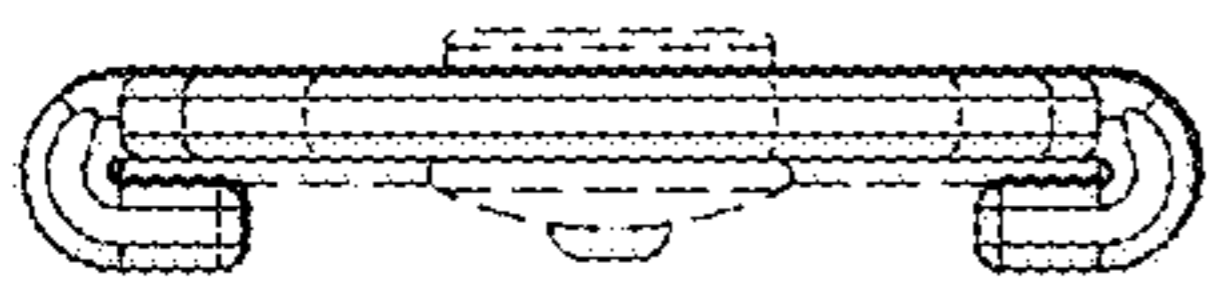


FIG. 4



FIG. 5



FIG. 6

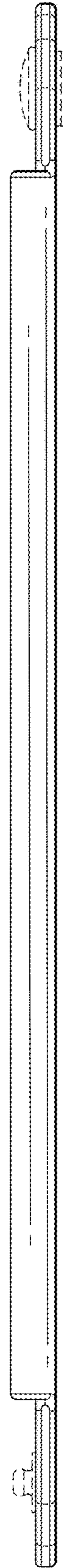


FIG. 7

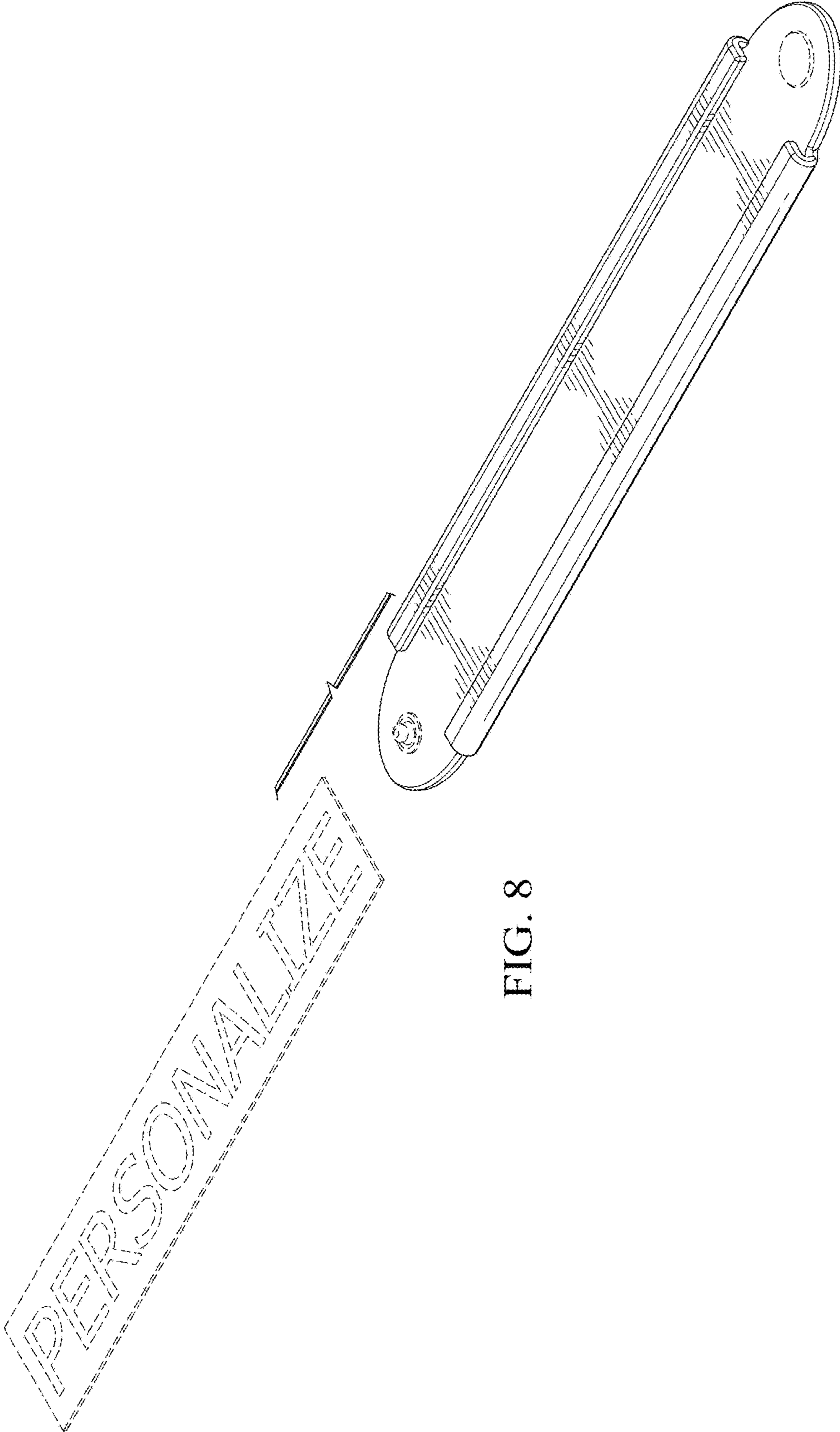


FIG. 8

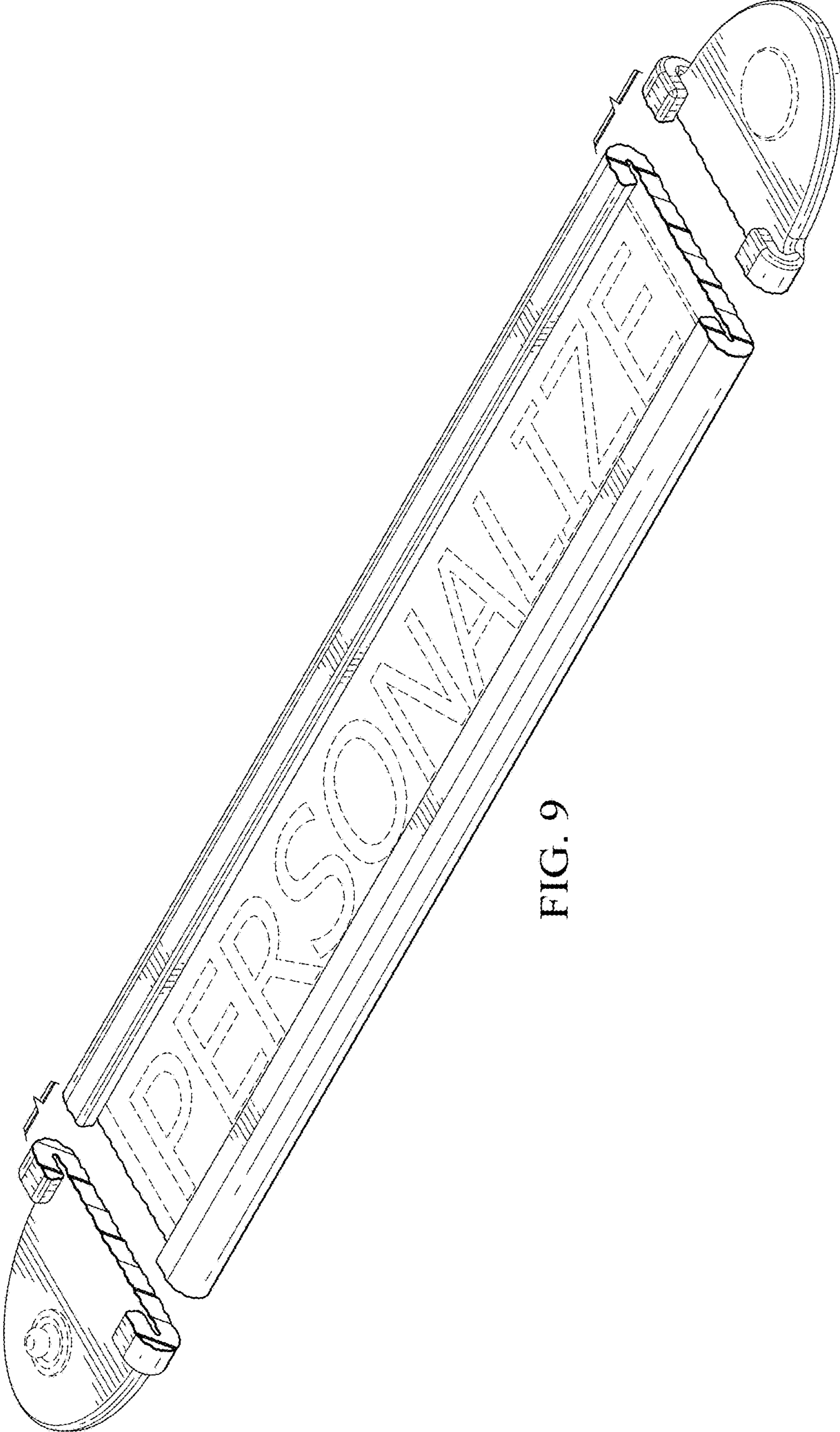


FIG. 9

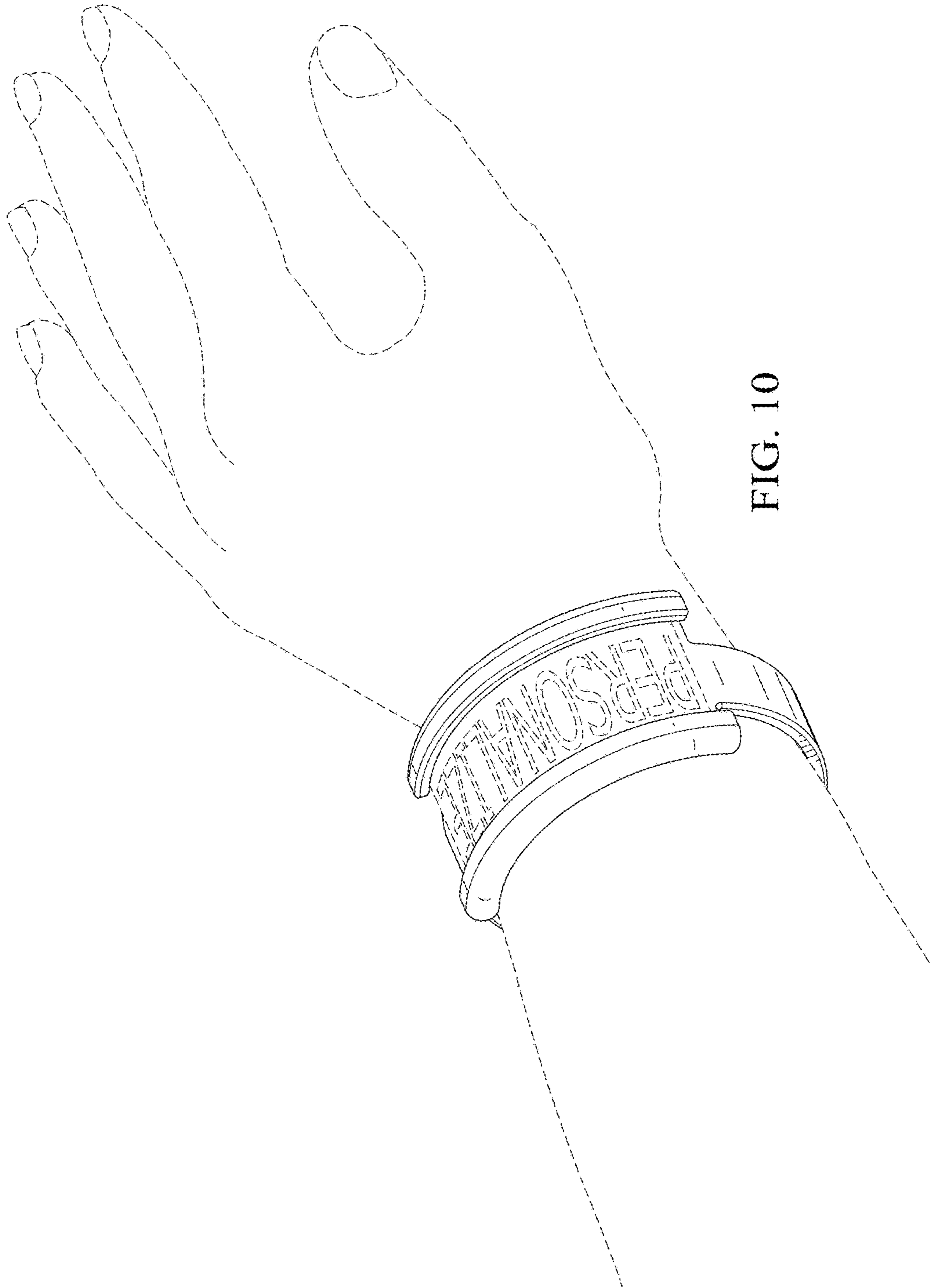


FIG. 10

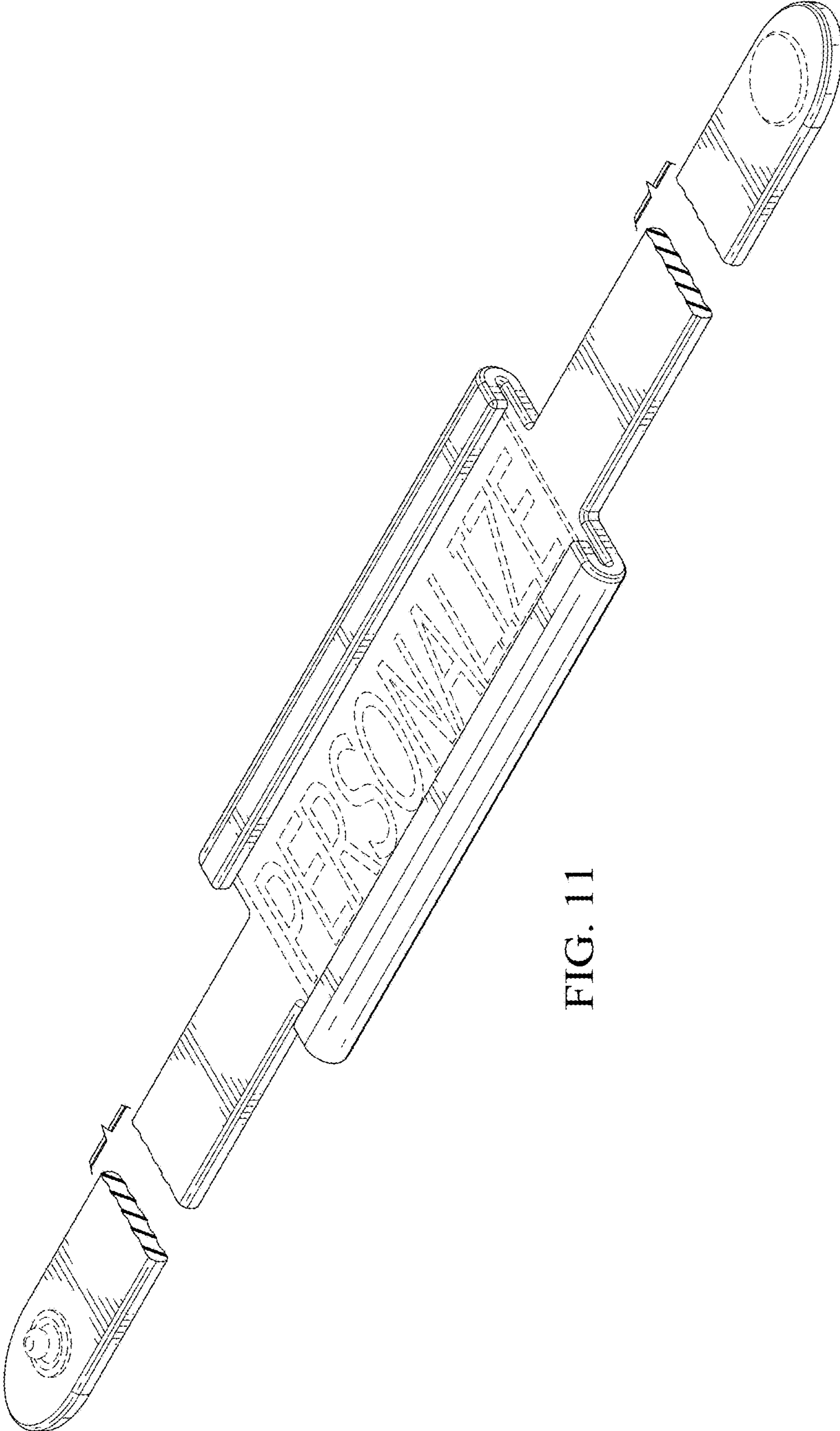


FIG. 11