



US00D799361S

(12) **United States Design Patent** (10) **Patent No.:** **US D799,361 S**
Monachon (45) **Date of Patent:** **** Oct. 10, 2017**

(54) **BRACELET**

(71) Applicant: **OMEGA LTD.**, Biel/Bienne (CH)
 (72) Inventor: **Jean-Claude Monachon**, Bevaix (CH)
 (73) Assignee: **OMEGA LTD.**, Biel/Bienne (CH)
 (**) Term: **15 Years**
 (21) Appl. No.: **29/572,441**

(22) Filed: **Jul. 28, 2016**

(30) **Foreign Application Priority Data**

Jan. 28, 2016 (WO) DM/089 497

(51) **LOC (10) Cl.** **11-01**

(52) **U.S. Cl.**
USPC **D11/3**

(58) **Field of Classification Search**

USPC D11/1, 2, 3, 12-25, 86, 93, 94;
 D10/30-32, 38, 39, 46, 70; D14/344
 CPC ... A44C 11/00; A44C 15/0025; A44C 5/0053;
 A44C 5/0061; A44C 5/0069; A44C
 5/0076; A44C 5/02; A44C 5/022; A44C
 5/025; A44C 5/027; A44C 5/04; A44C
 5/08; A44C 5/10; A44C 5/102; A44C
 5/105; A44C 5/107; A44C 5/14; A44C
 5/142; A44C 5/145; A44C 5/147; A44C
 5/16

See application file for complete search history.

(56) **References Cited**

U.S. PATENT DOCUMENTS

D387,692 S *	12/1997	Hanagata	D11/3
D393,602 S *	4/1998	Sang	D11/3
D481,325 S *	10/2003	Hill	D11/3
D489,282 S *	5/2004	Hill	D11/3
D711,760 S *	8/2014	Savoy	D10/32
D711,761 S *	8/2014	Savoy	D10/32
D785,482 S *	5/2017	Schwamkrug	D11/3

* cited by examiner

Primary Examiner — Garth Rademaker

Assistant Examiner — Llorellys Martinez-Rivera

(74) *Attorney, Agent, or Firm* — Donald J. Ranft; Collen

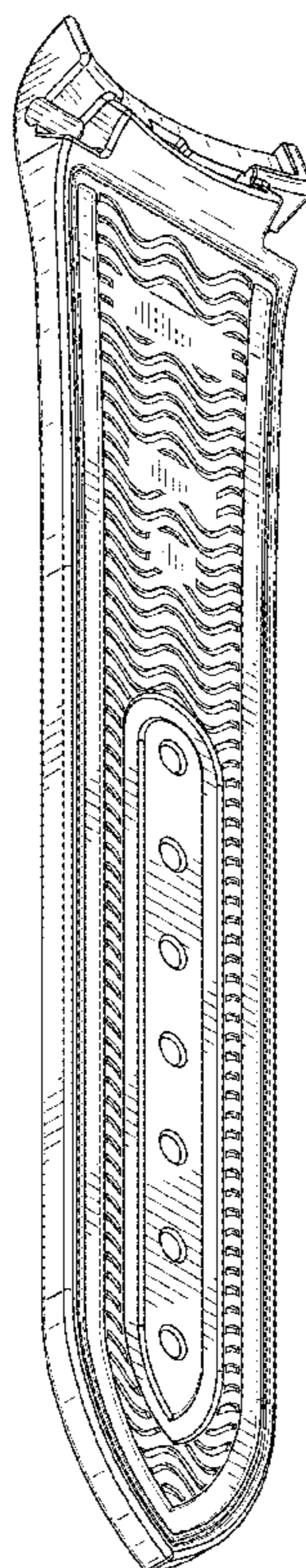
(57) **CLAIM**

The ornamental design for a bracelet, as shown.

DESCRIPTION

FIG. 1 is a front left perspective view of a bracelet showing my new design;
 FIG. 2 is a front right perspective view thereof;
 FIG. 3 is a rear left perspective view thereof;
 FIG. 4 is a front view thereof;
 FIG. 5 is a rear view thereof;
 FIG. 6 is a side view thereof;
 FIG. 7 is a top plan view thereof; and,
 FIG. 8 is a bottom plan view thereof.

1 Claim, 3 Drawing Sheets



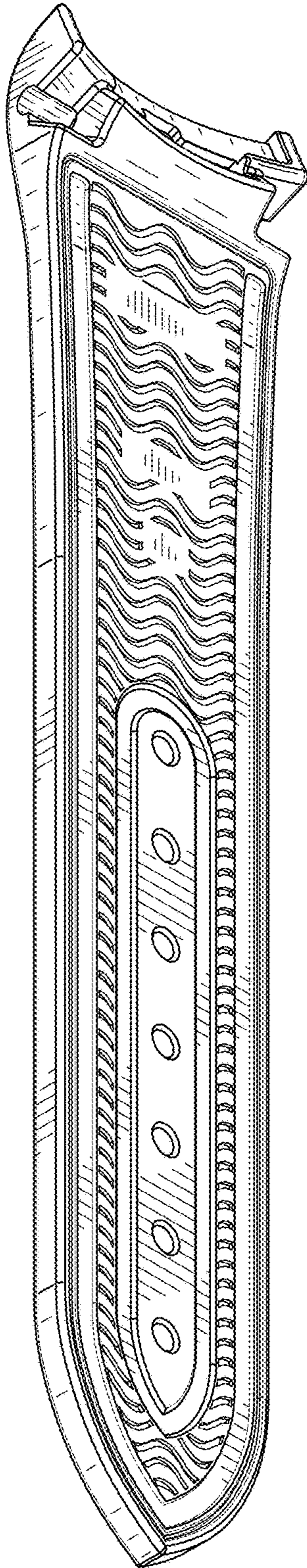


FIG. 1

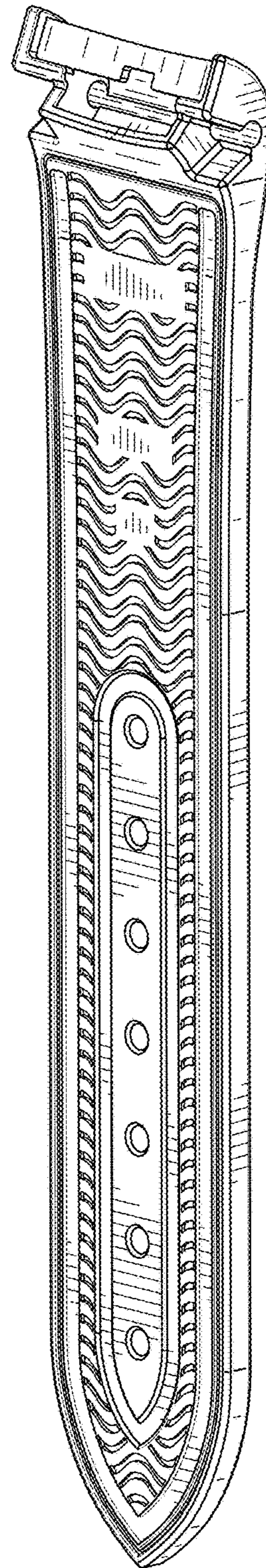


FIG. 2

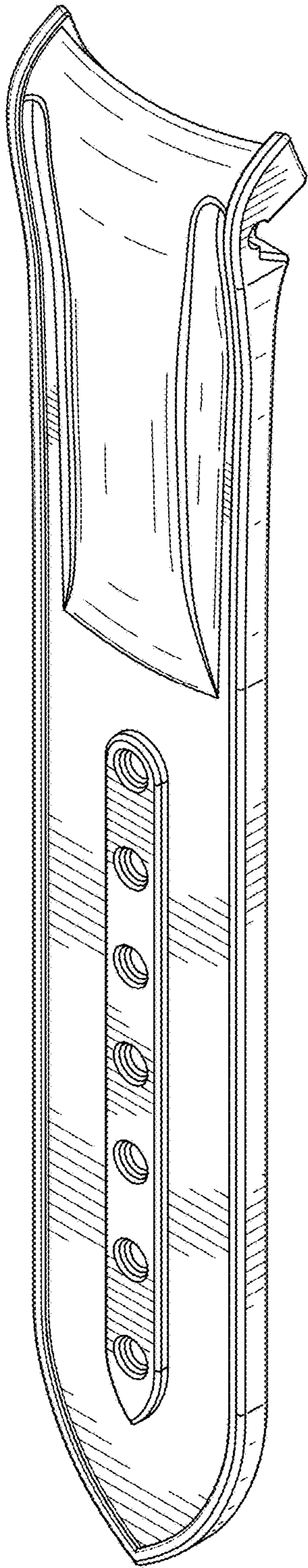


FIG. 3

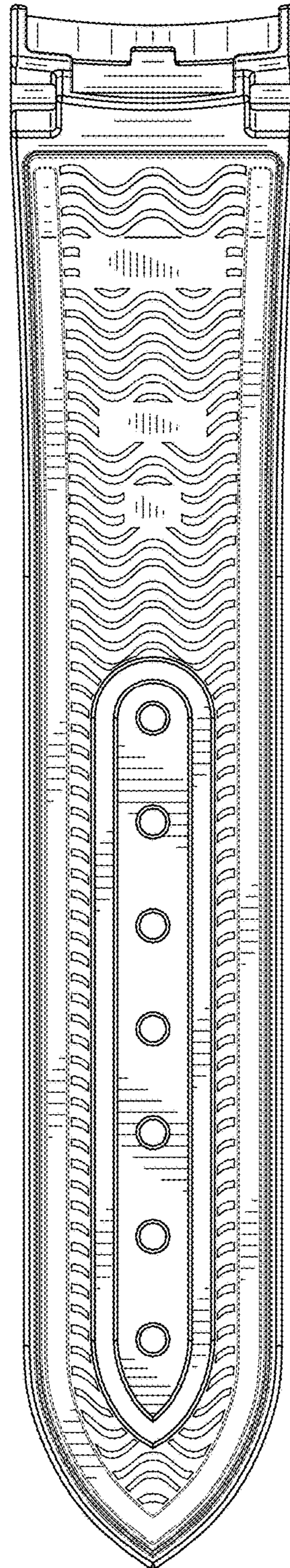


FIG. 4

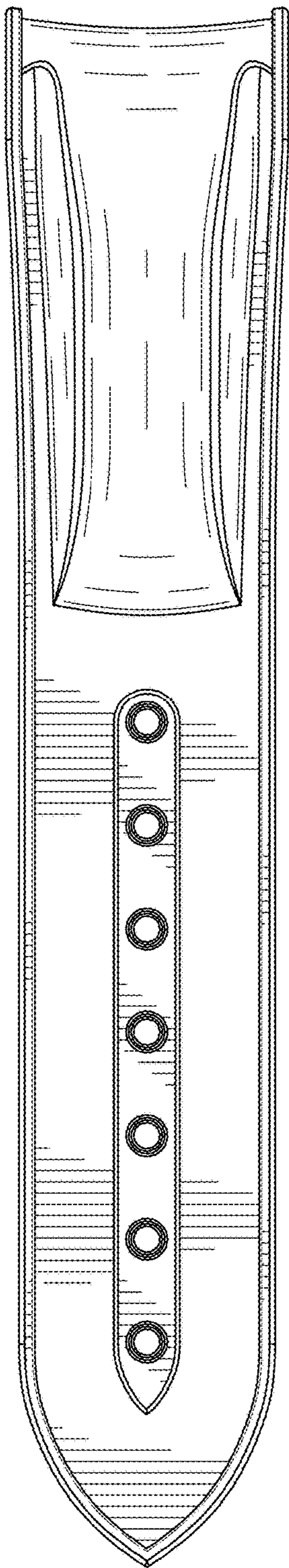


FIG. 5

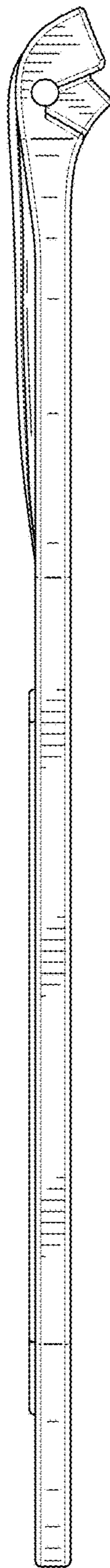


FIG. 6



FIG. 7

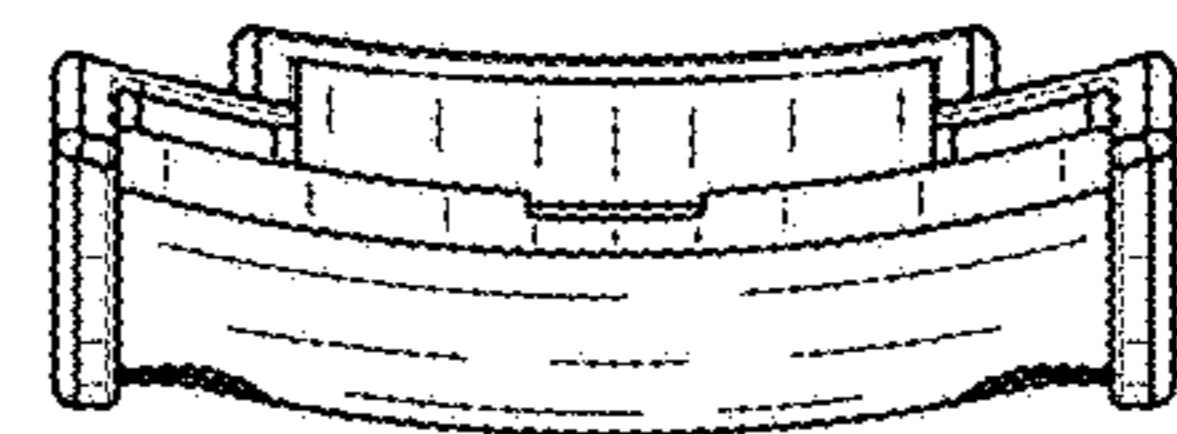


FIG. 8