



US00D799358S

(12) **United States Design Patent** (10) **Patent No.:** **US D799,358 S**
Koana et al. (45) **Date of Patent:** **** Oct. 10, 2017**

- (54) **NOISEMAKER BELL**
- (71) Applicant: **Yukari Koana**, Yamanashi (JP)
- (72) Inventors: **Yukari Koana**, Yamanashi (JP); **Kouji Murata**, Yamanashi (JP)
- (73) Assignee: **Yukari Koana**, Yamanashi (JP)
- (**) Term: **15 Years**
- (21) Appl. No.: **29/571,843**
- (22) Filed: **Jul. 22, 2016**
- (30) **Foreign Application Priority Data**

- Jan. 25, 2016 (JP) 2016-002906
- (51) **LOC (10) Cl.** **10-05**
- (52) **U.S. Cl.**
USPC **D10/118.1**
- (58) **Field of Classification Search**
USPC D10/116.1, 118, 118.2, 121, 122, 123,
D10/124, 126; D16/202, 203, 208, 209,
D16/215
CPC ... G08B 3/00; G08B 3/10; G08B 7/00; G08B
7/06
See application file for complete search history.

(56) **References Cited**
U.S. PATENT DOCUMENTS

- 3,188,088 A * 6/1965 Gatke A63B 67/14
473/587
- D315,368 S * 3/1991 Wakui D21/710
- D481,771 S * 11/2003 Anderson A63B 21/072
D21/681
- D522,594 S * 6/2006 Donahue D21/682
- D522,595 S * 6/2006 Donahue D21/682
- 7,563,208 B1 * 7/2009 Chen A63B 21/075
482/108
- 7,731,640 B1 * 6/2010 Chen A63B 21/0728
482/108

- D652,877 S * 1/2012 Dalebout D21/682
- D653,716 S * 2/2012 Lin D21/682
- D664,613 S * 7/2012 Dalebout D21/682
- D692,509 S * 10/2013 Kessler D21/682
- 2007/0135274 A1 * 6/2007 Blateri A63B 21/075
482/109

OTHER PUBLICATIONS

Koa-Cute, [online], [site visited 05/11/217]. Available from internet, <URL:http://koa-cute.com/en/index.html>.*
 Notification of Commencement of Soloprietorship Business for Yukari Koana, date of commencement Jan. 15, 2016.
 Office Action from the Japanese Patent Office for JPD2016-002906, mailing date Jul. 1, 2016.
 Koacute Facebook Page, downloaded from (https://www.facebook.com/koacute/) first date of publication is Dec. 17, 2015.

* cited by examiner

Primary Examiner — George D Kirschbaum
Assistant Examiner — Joseph Kukella
 (74) *Attorney, Agent, or Firm* — Browdy and Neimark, PLLC

(57) **CLAIM**

The ornamental design for a noisemaker bell, as shown and described.

DESCRIPTION

FIG. 1 is a front view of a noisemaker bell showing our new design, a rear view being a mirror image of FIG. 1;
 FIG. 2 is a right side view thereof;
 FIG. 3 is a left side view thereof;
 FIG. 4 is a top plan view thereof;
 FIG. 5 is a bottom plan view thereof; and,
 FIG. 6 is a cross-sectional view taken along line 6-6 of FIG. 4.
 In FIG. 6 of the drawings, the broken lines depict environmental subject matter only and form no part of the claimed design.

1 Claim, 6 Drawing Sheets

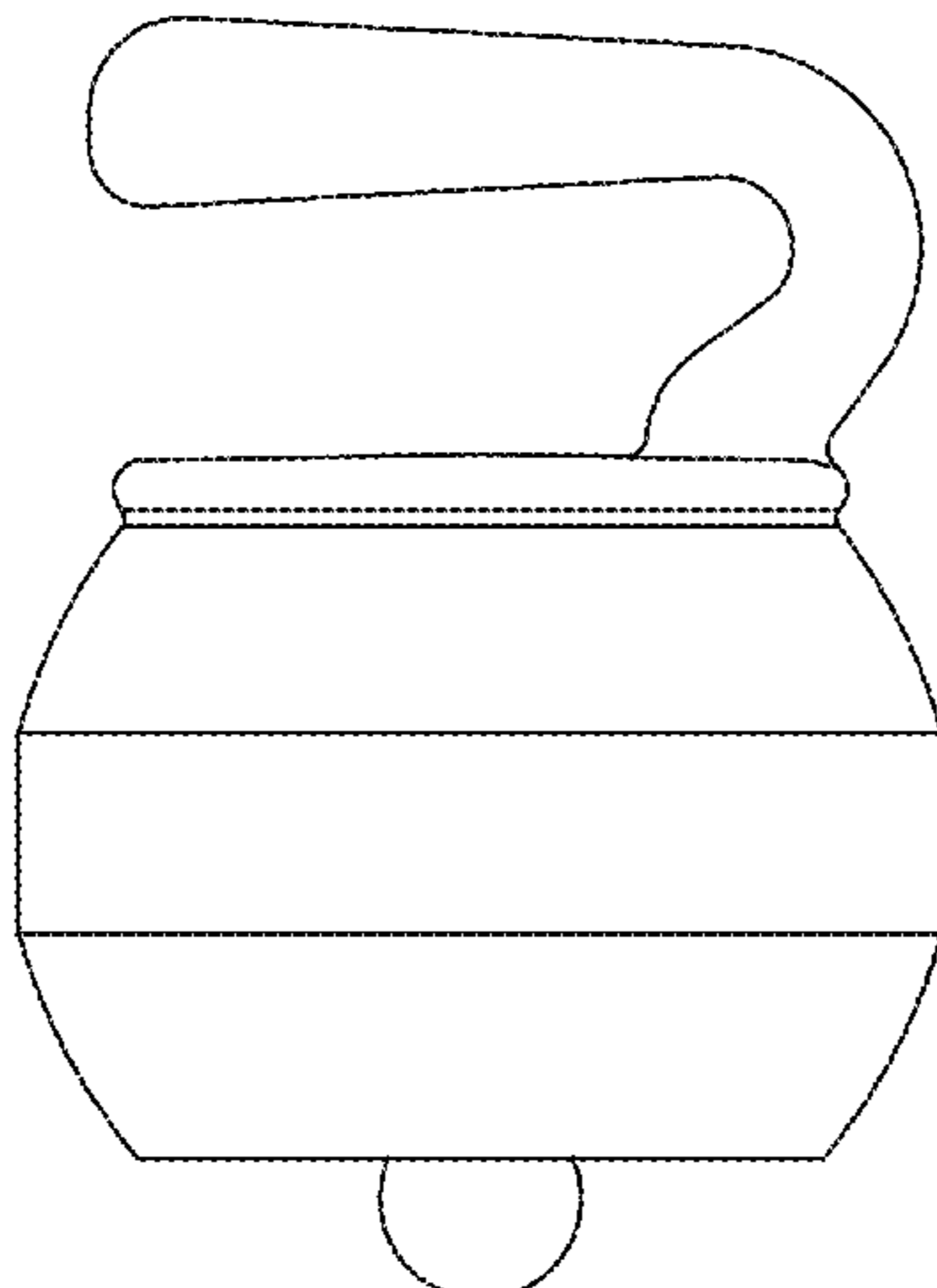


Fig. 1

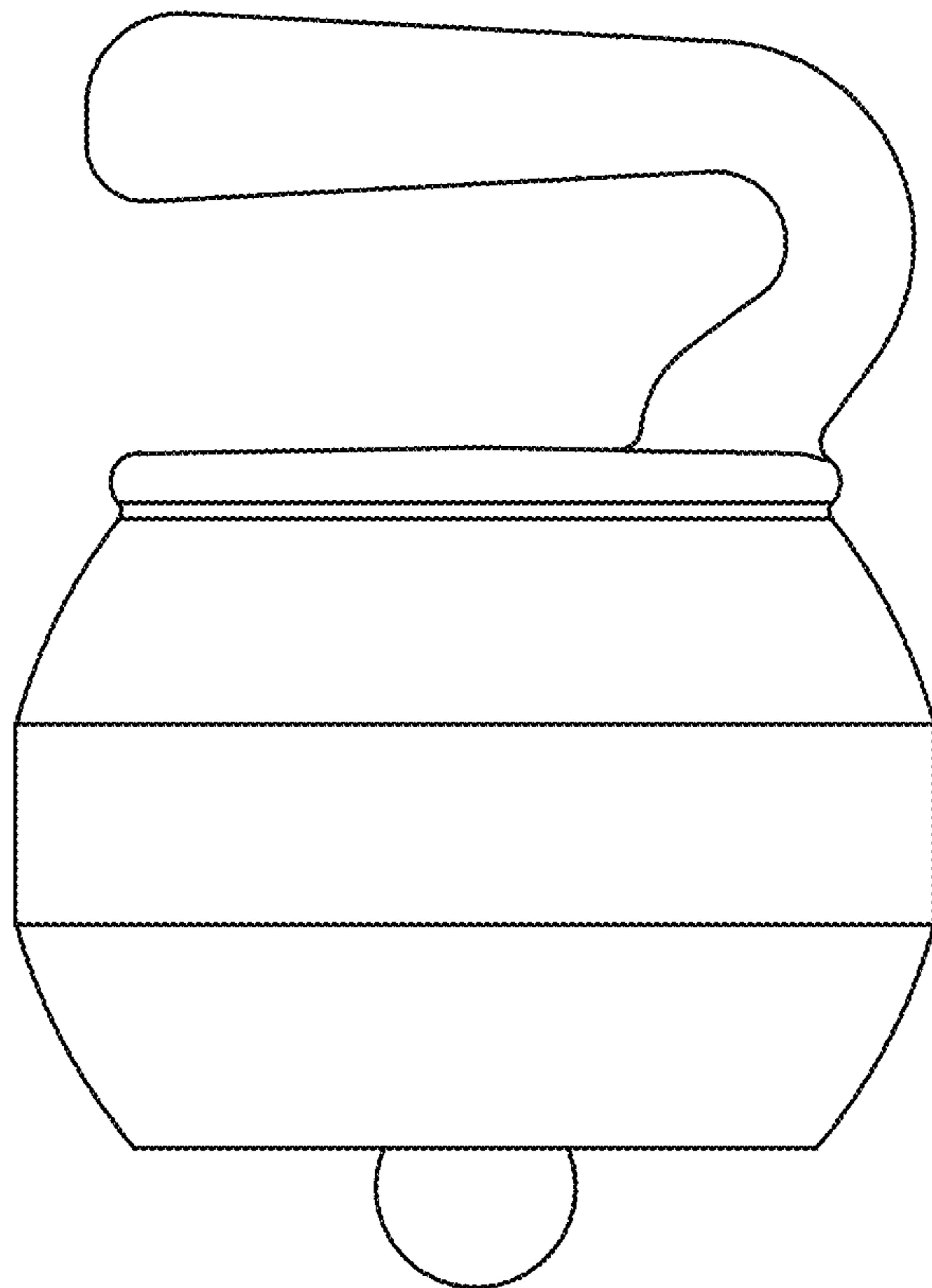


Fig. 2

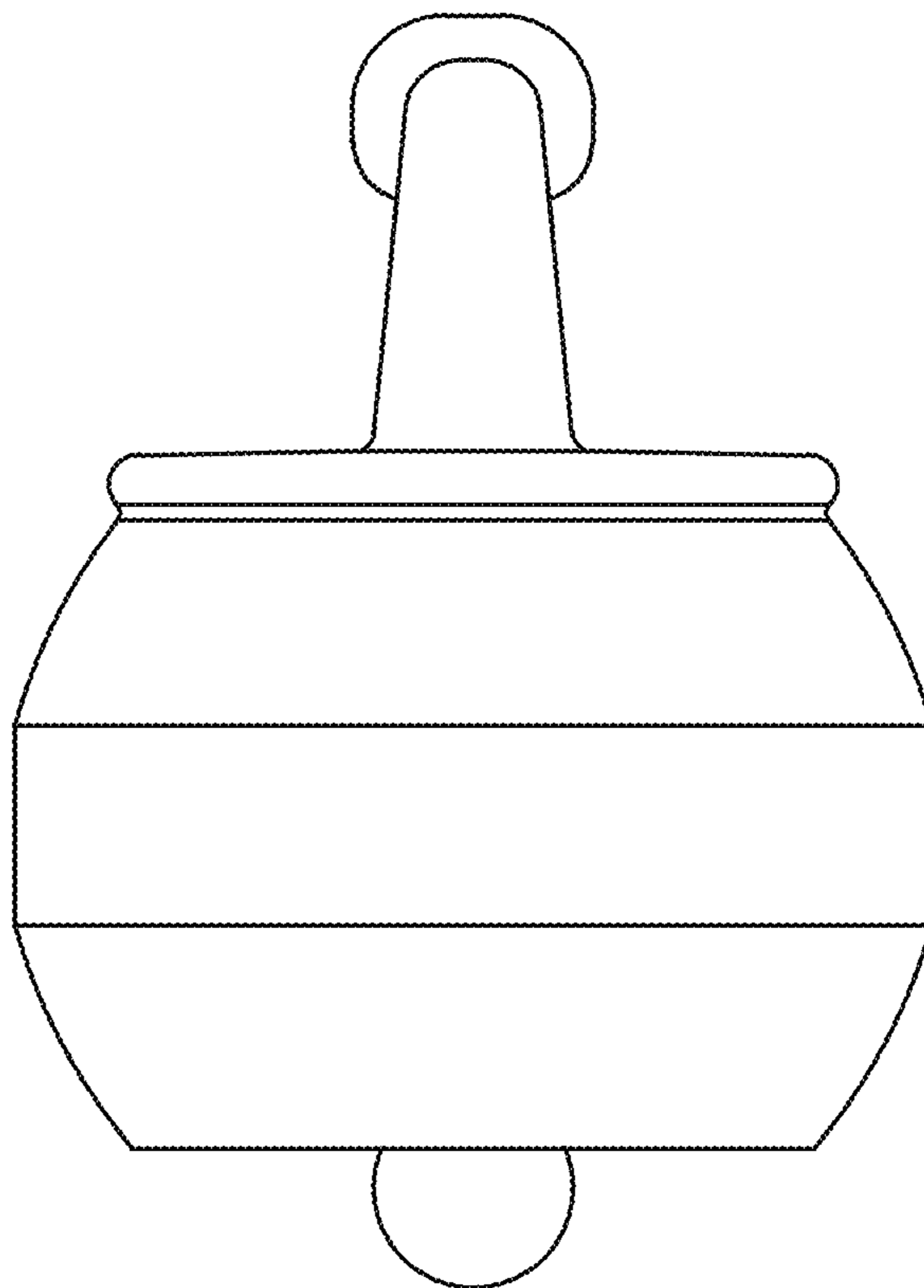


Fig. 3

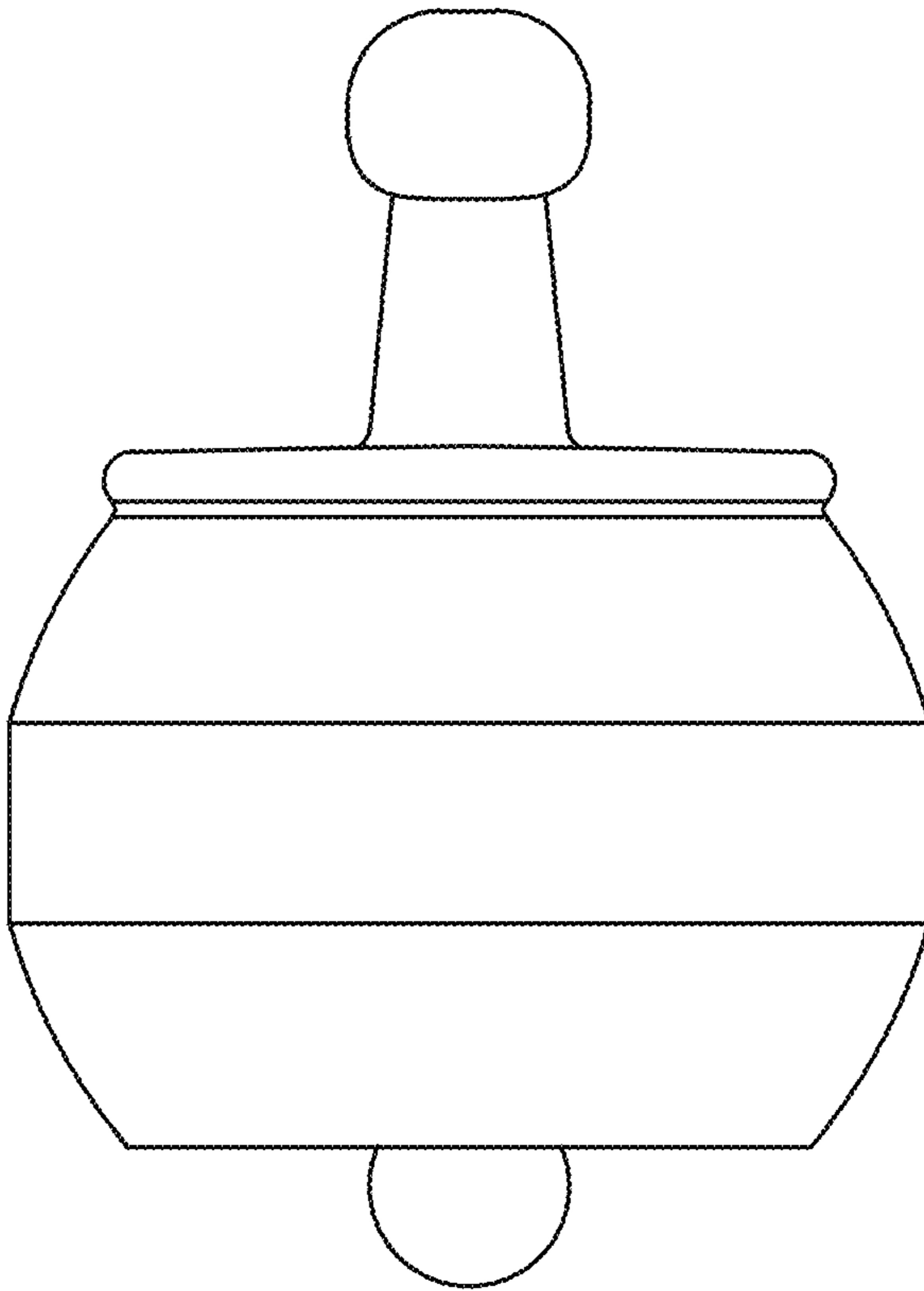


Fig. 4

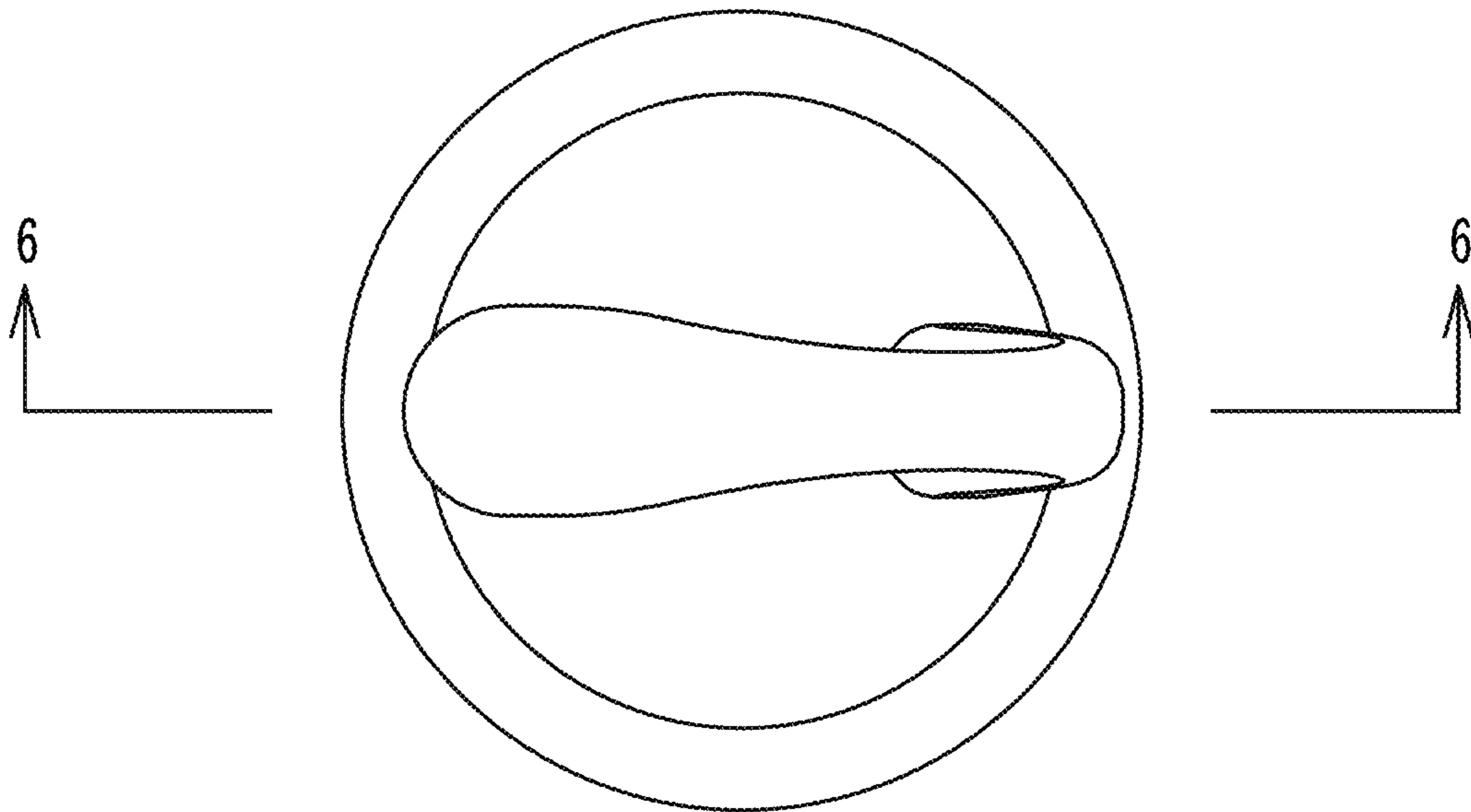


Fig. 5

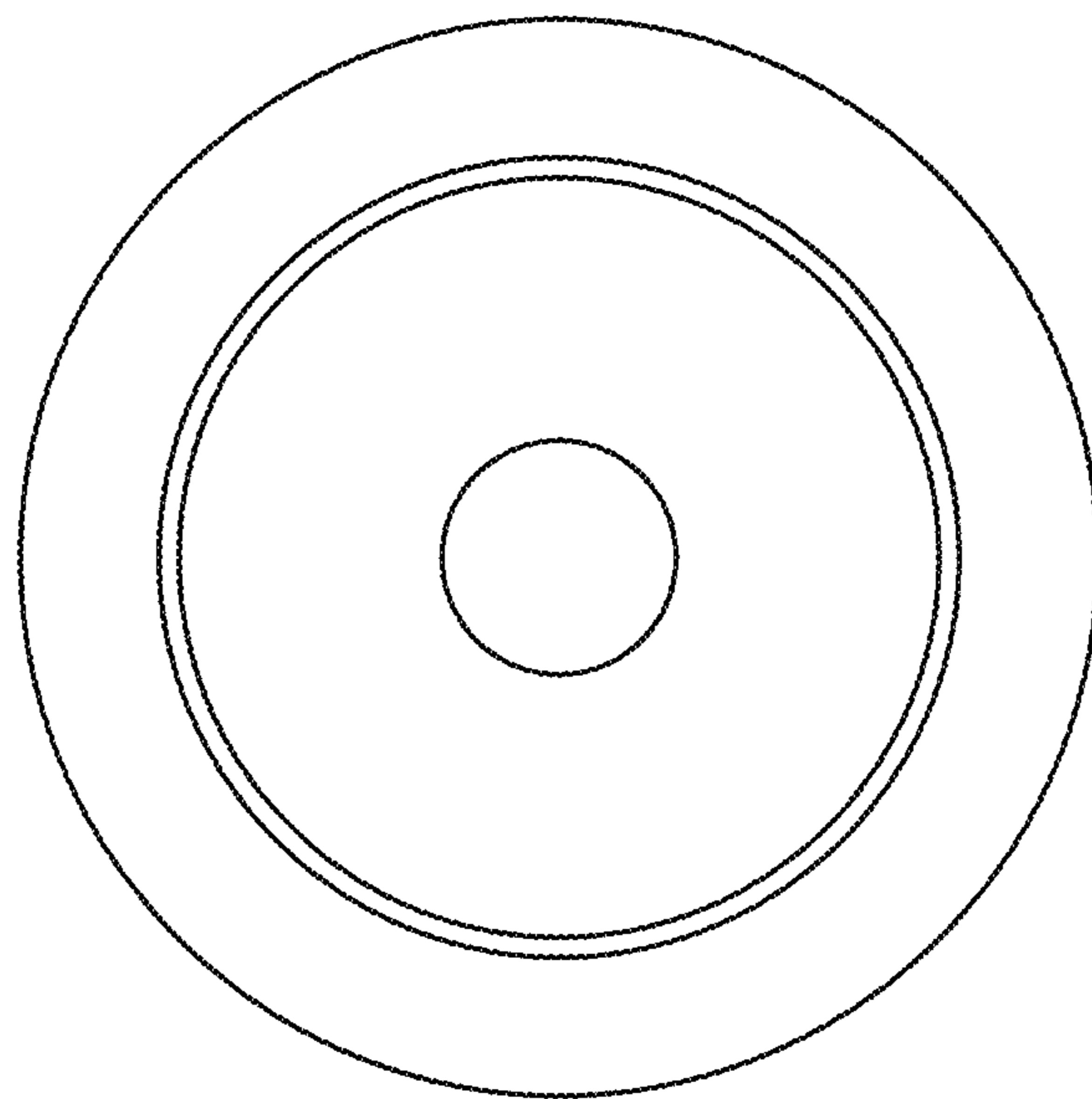


Fig. 6

