



US00D799357S

(12) **United States Design Patent** (10) **Patent No.:** **US D799,357 S**  
**Friess** (45) **Date of Patent:** **\*\* Oct. 10, 2017**

(54) **WIND CHIME**  
(71) Applicant: **Harvey A. Friess**, Menomonee Falls, WI (US)  
(72) Inventor: **Harvey A. Friess**, Menomonee Falls, WI (US)  
(\*\*) Term: **15 Years**  
(21) Appl. No.: **29/556,656**  
(22) Filed: **Mar. 2, 2016**  
(51) **LOC (10) Cl.** ..... **10-05**  
(52) **U.S. Cl.**  
USPC ..... **D10/118.1**  
(58) **Field of Classification Search**  
USPC ..... D10/104.1, 108, 116.1, 118, 118.2, D10/121-126; D13/171; D16/202, 203, D16/208, 209, 215  
CPC ... G08B 3/00; G08B 3/10; G08B 7/00; G08B 7/06  
See application file for complete search history.

4,967,633 A \* 11/1990 Jewell, Jr. .... G10K 1/10 84/404  
D346,986 S 5/1994 Friess, Jr.  
D369,985 S 5/1996 Kehler  
D373,547 S 9/1996 Stratford  
D389,422 S 1/1998 Zin  
D404,671 S 1/1999 Stannard  
D408,313 S 4/1999 Friess  
D419,098 S 1/2000 Evans  
D420,613 S 2/2000 Williams  
D432,936 S 10/2000 Wing et al.  
D470,788 S 2/2003 Friess  
D504,346 S 4/2005 Cavazos  
D565,986 S 4/2008 Friess  
D578,426 S 10/2008 Friess  
D617,669 S \* 6/2010 Webb ..... D10/118  
D705,690 S 5/2014 Friess  
2004/0083876 A1 5/2004 Maegli et al.

\* cited by examiner

*Primary Examiner* — George D Kirschbaum  
*Assistant Examiner* — Joseph Kukella  
(74) *Attorney, Agent, or Firm* — Ryan Kromholz & Manion, S.C.

(56) **References Cited**

U.S. PATENT DOCUMENTS

D6,780 S \* 7/1873 Cone ..... D10/116.1  
D31,584 S \* 10/1899 Bevin ..... D10/116.1  
864,461 A 8/1907 Gibbs  
1,580,726 A \* 4/1926 Heisler ..... G10K 1/10 116/148  
D82,389 S \* 10/1930 Mutz ..... D10/116.1  
2,322,021 A \* 6/1943 Hengstler ..... G10K 1/10 116/150  
2,584,223 A \* 2/1952 Petelinsek ..... G10K 1/10 116/150  
D224,853 S 9/1972 Merjer  
D272,810 S 2/1984 Stilson  
D279,873 S 7/1985 Neely  
4,619,846 A 10/1986 Oborzil et al.

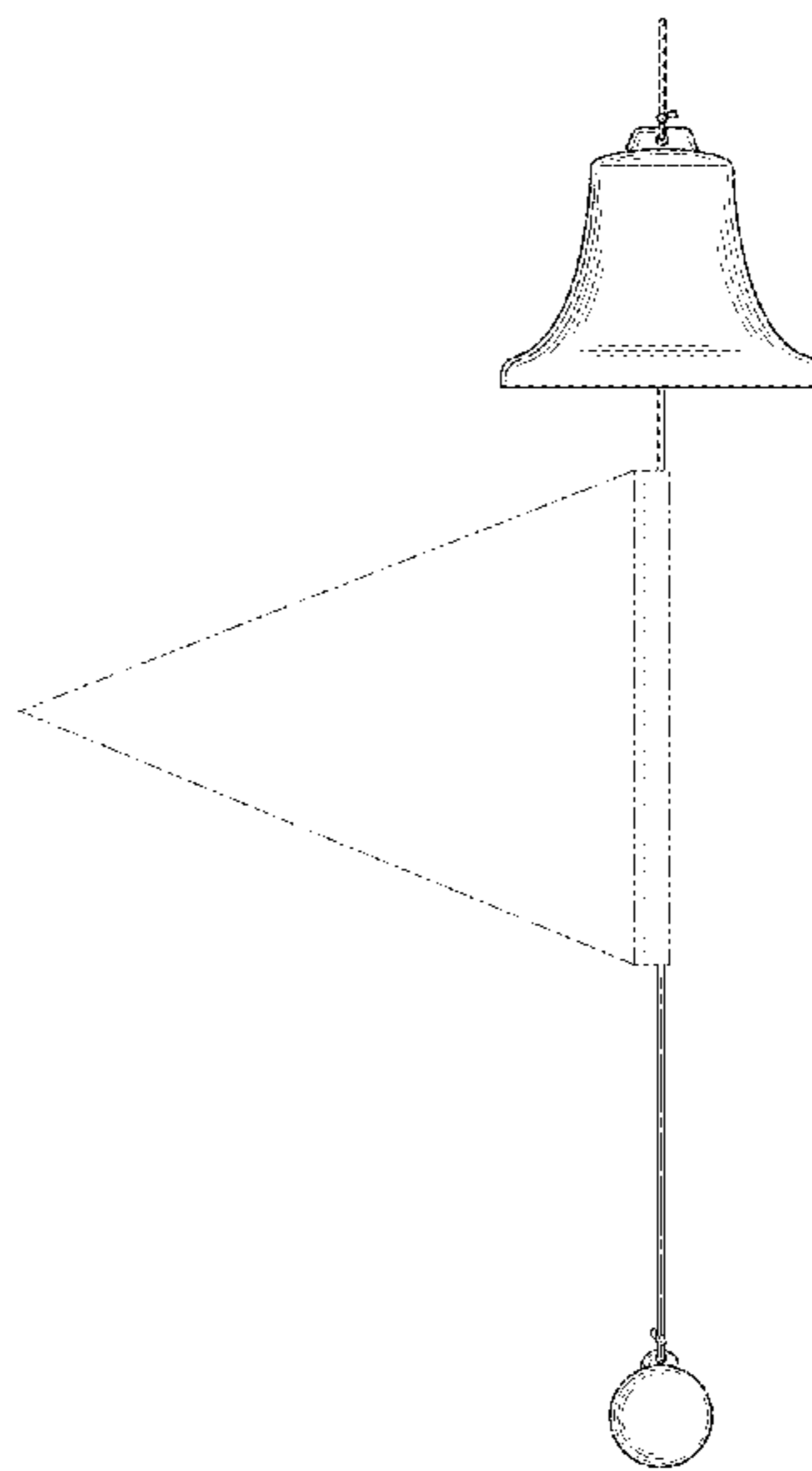
(57) **CLAIM**

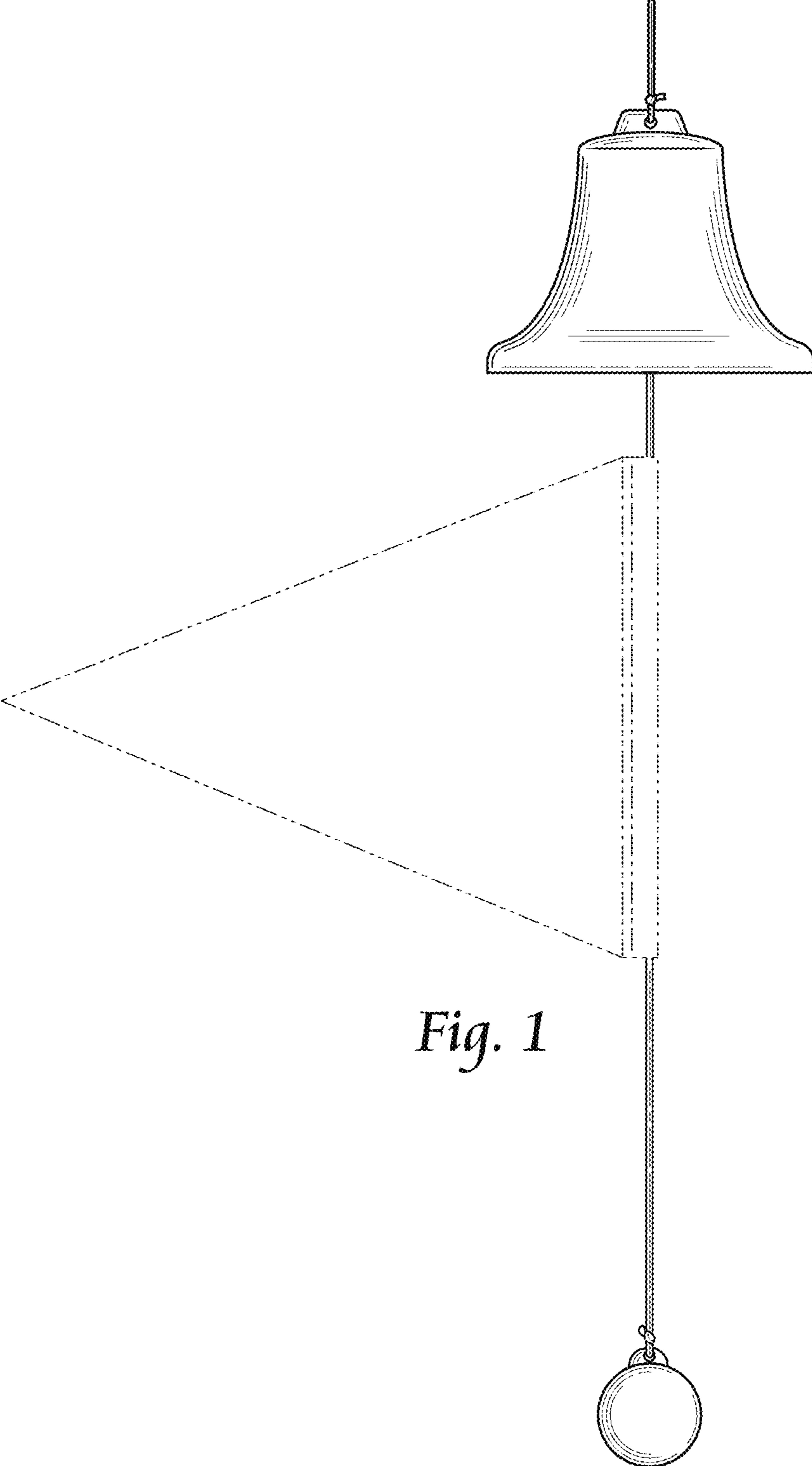
The ornamental design for a wind chime, as shown and described.

**DESCRIPTION**

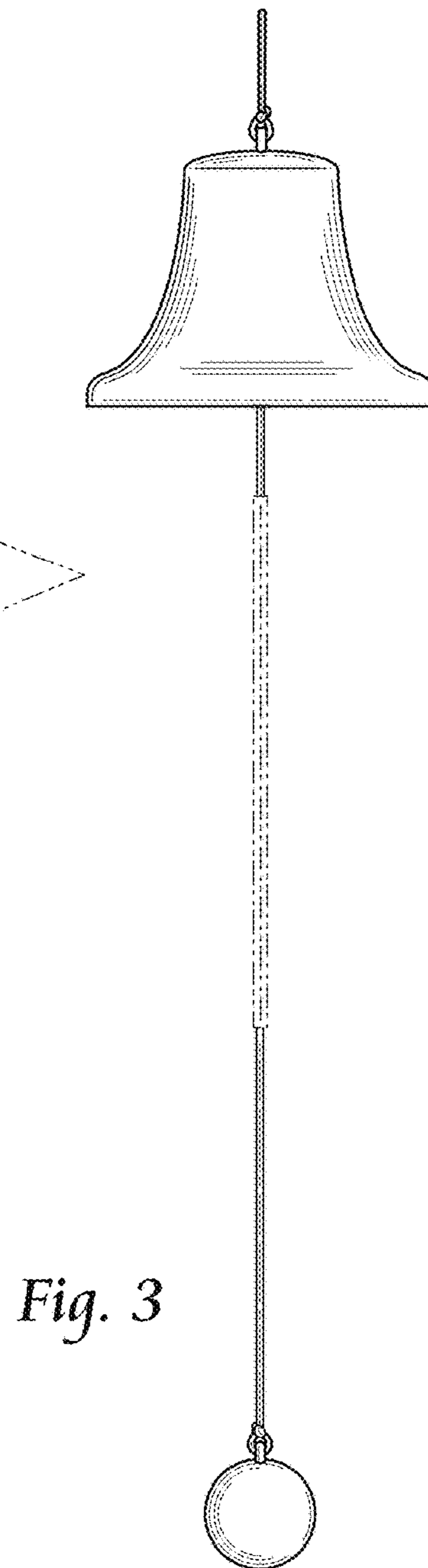
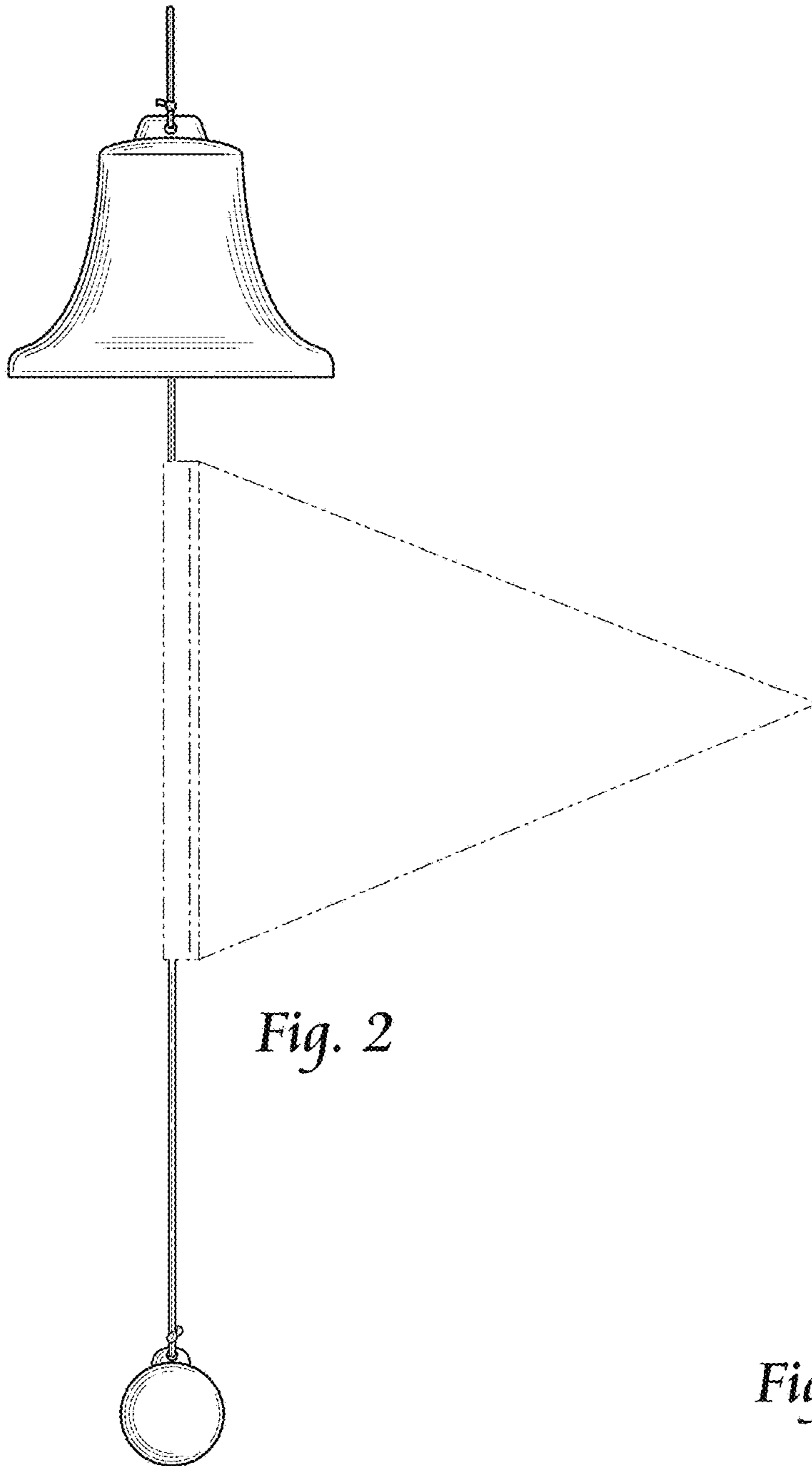
FIG. 1 is a front elevation view;  
FIG. 2 is a back elevation view;  
FIG. 3 is a right side view; the left side view being a mirror image thereof;  
FIG. 4 is a top plan view; and,  
FIG. 5 is a bottom plan view.  
In the drawings, the broken lines depict environmental subject matter only and forms no part of the claimed design.

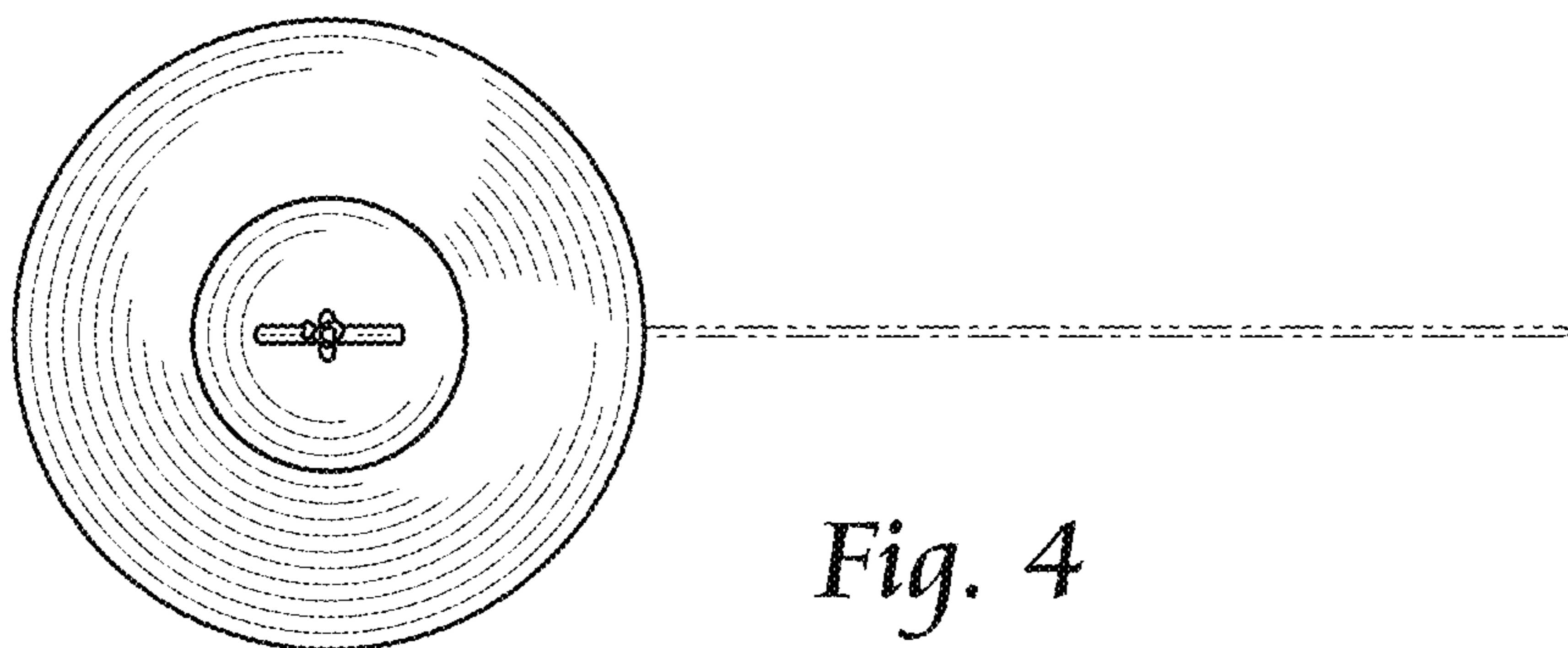
**1 Claim, 3 Drawing Sheets**



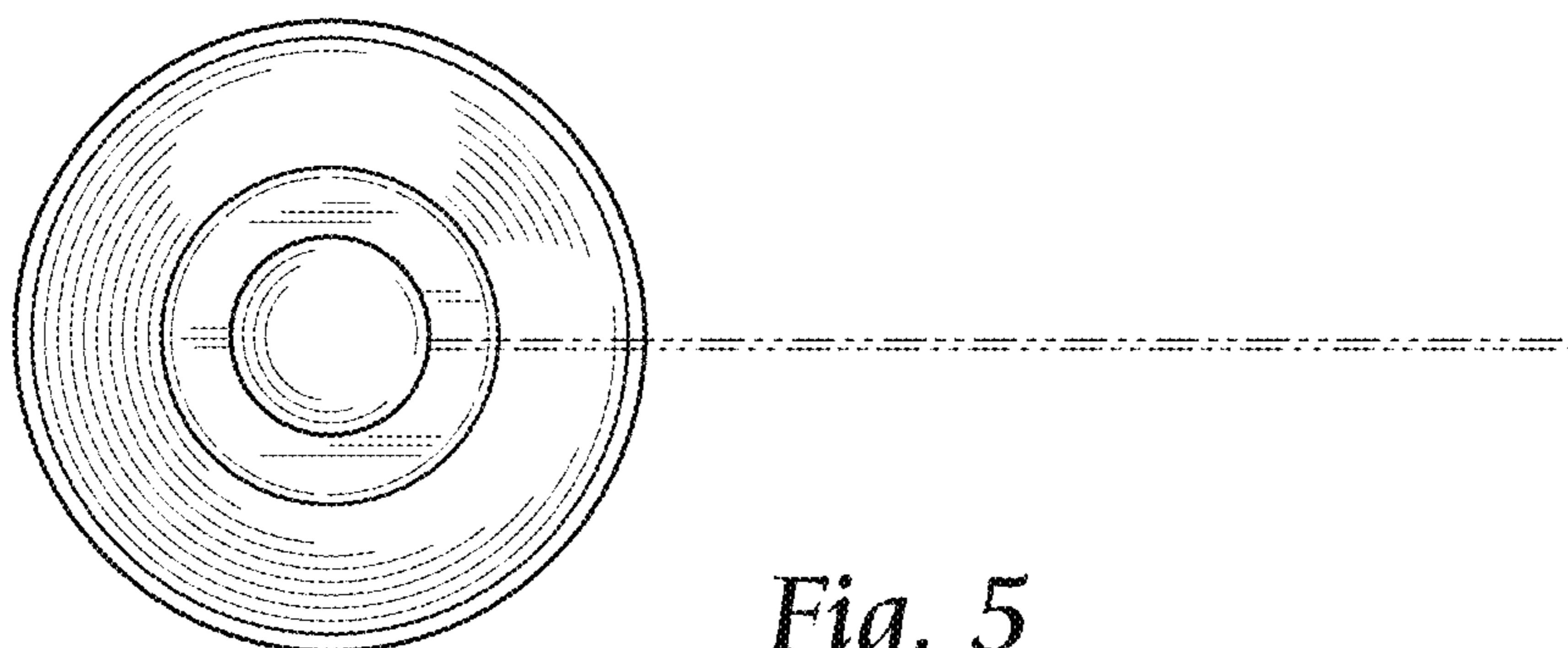


*Fig. 1*





*Fig. 4*



*Fig. 5*