

US00D799354S

(12) **United States Design Patent**
Di Giovine et al.

(10) **Patent No.:** **US D799,354 S**

(45) **Date of Patent:** **** Oct. 10, 2017**

(54) **SIGNAL LAMP**

(71) Applicant: **COMBUSTION AND ENERGY S.r.l.**,
Oggiono (Lecco) (IT)

(72) Inventors: **Alfonso Di Giovine**, Oggiono (IT);
Maria Cristina Di Giovine, Lecco (IT)

(73) Assignee: **COMBUSTION AND ENERGY**
S.R.L., Oggiono (Lecco) (IT)

(**) Term: **15 Years**

(21) Appl. No.: **29/560,346**

(22) Filed: **Apr. 6, 2016**

(30) **Foreign Application Priority Data**

Oct. 6, 2015 (EM) 002811174-0005

(51) **LOC (10) Cl.** **10-05**

(52) **U.S. Cl.**
USPC **D10/111**

(58) **Field of Classification Search**
USPC D10/104.1, 109.1, 109.2, 110, 111,
D10/114.1–114.8; D26/28, 35, 36, 102,
D26/104, 118, 120, 122
CPC F21W 2101/02; F21W 2101/10; F21W
2101/14
See application file for complete search history.

(56) **References Cited**

U.S. PATENT DOCUMENTS

D561,931 S * 2/2008 Hukle D26/120
D574,995 S * 8/2008 Boyer D26/120

D609,854 S * 2/2010 Lown D26/120
D611,644 S * 3/2010 Tsai D26/77
7,712,929 B2 * 5/2010 Schaefer F21V 7/005
362/297
D630,785 S * 1/2011 Kim D26/63
D693,507 S * 11/2013 Fletcher D26/63
D698,975 S * 2/2014 Blessitt D26/74
D701,988 S * 4/2014 Clements D26/74
D710,532 S * 8/2014 Fletcher D26/118
D710,533 S * 8/2014 Fletcher D26/118
D721,844 S * 1/2015 Lay D26/71
D729,095 S * 5/2015 Chiang D10/114.4
9,110,209 B2 * 8/2015 Blessitt G02B 6/0055
D748,850 S * 2/2016 Johnson D26/118
D775,404 S * 12/2016 Adams D26/118

* cited by examiner

Primary Examiner — George D Kirschbaum

Assistant Examiner — Joseph Kukella

(74) *Attorney, Agent, or Firm* — Mark M. Friedman

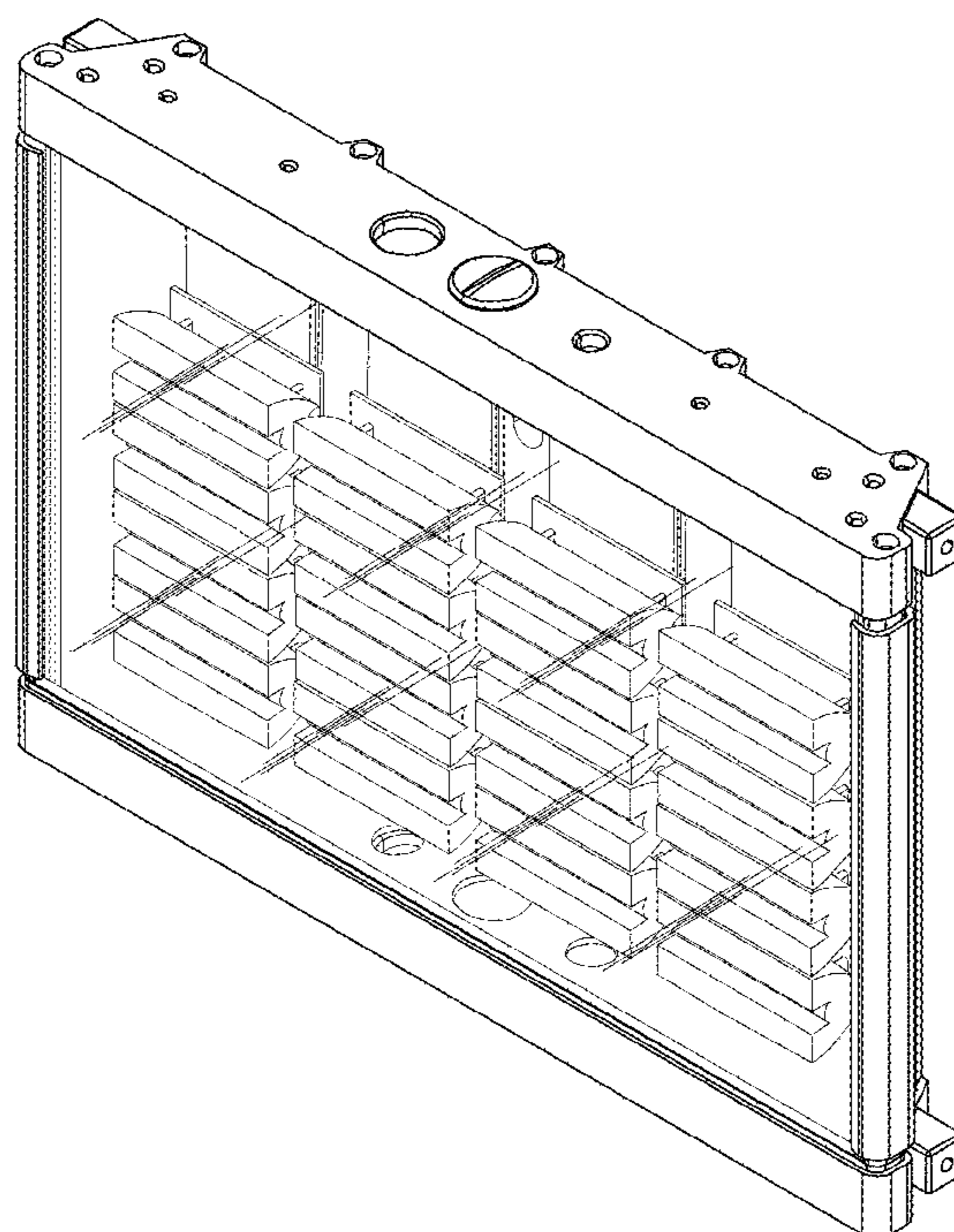
(57) **CLAIM**

The ornamental design for a signal lamp, as shown and described.

DESCRIPTION

FIG. 1 is top perspective view of the signal lamp showing my new design;
FIG. 2 is a bottom perspective view thereof;
FIG. 3 is a side perspective view thereof;
FIG. 4 is a front view thereof;
FIG. 5 is a side view thereof;
FIG. 6 is a top view thereof; and,
FIG. 7 is a rear view thereof.

1 Claim, 7 Drawing Sheets



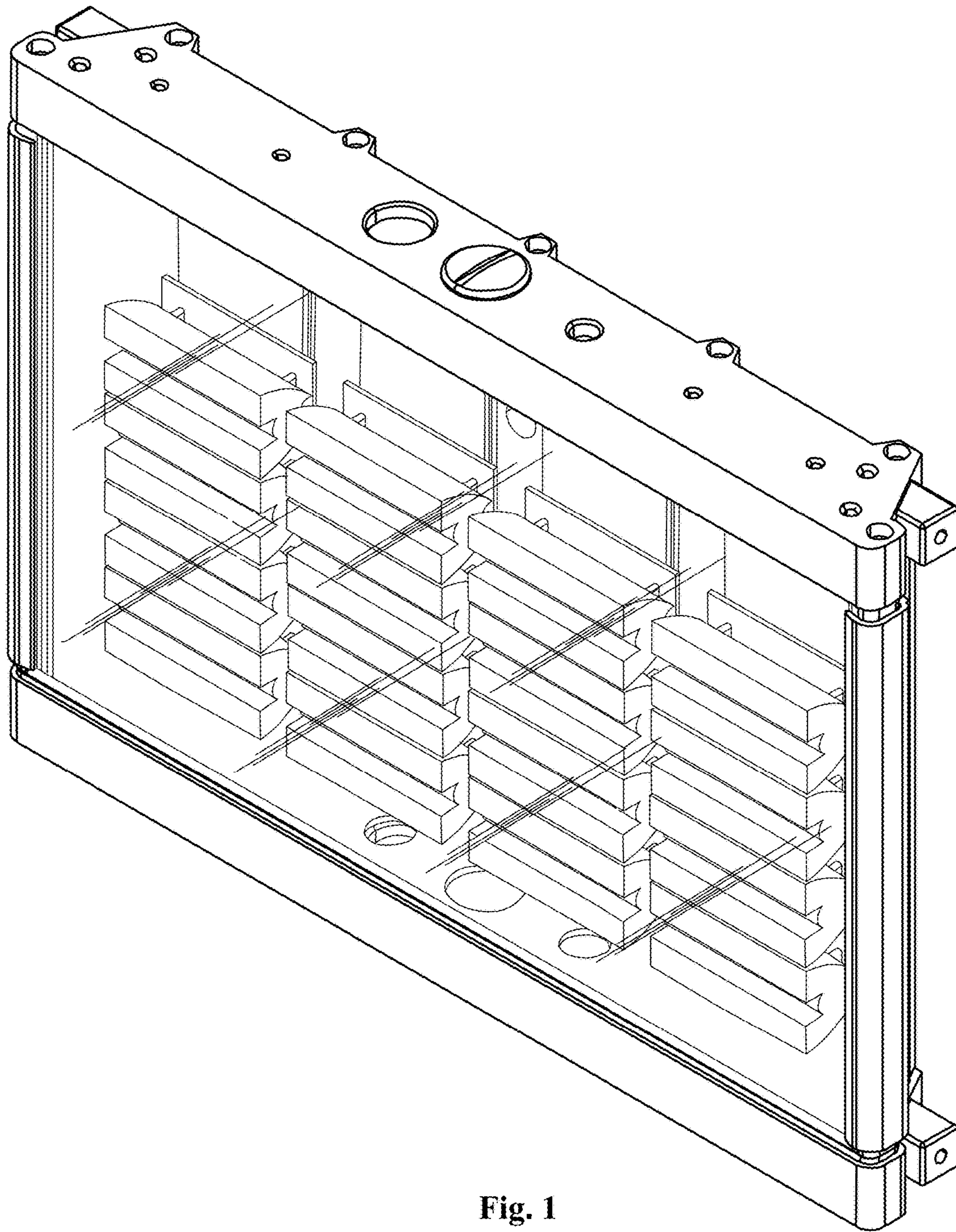


Fig. 1

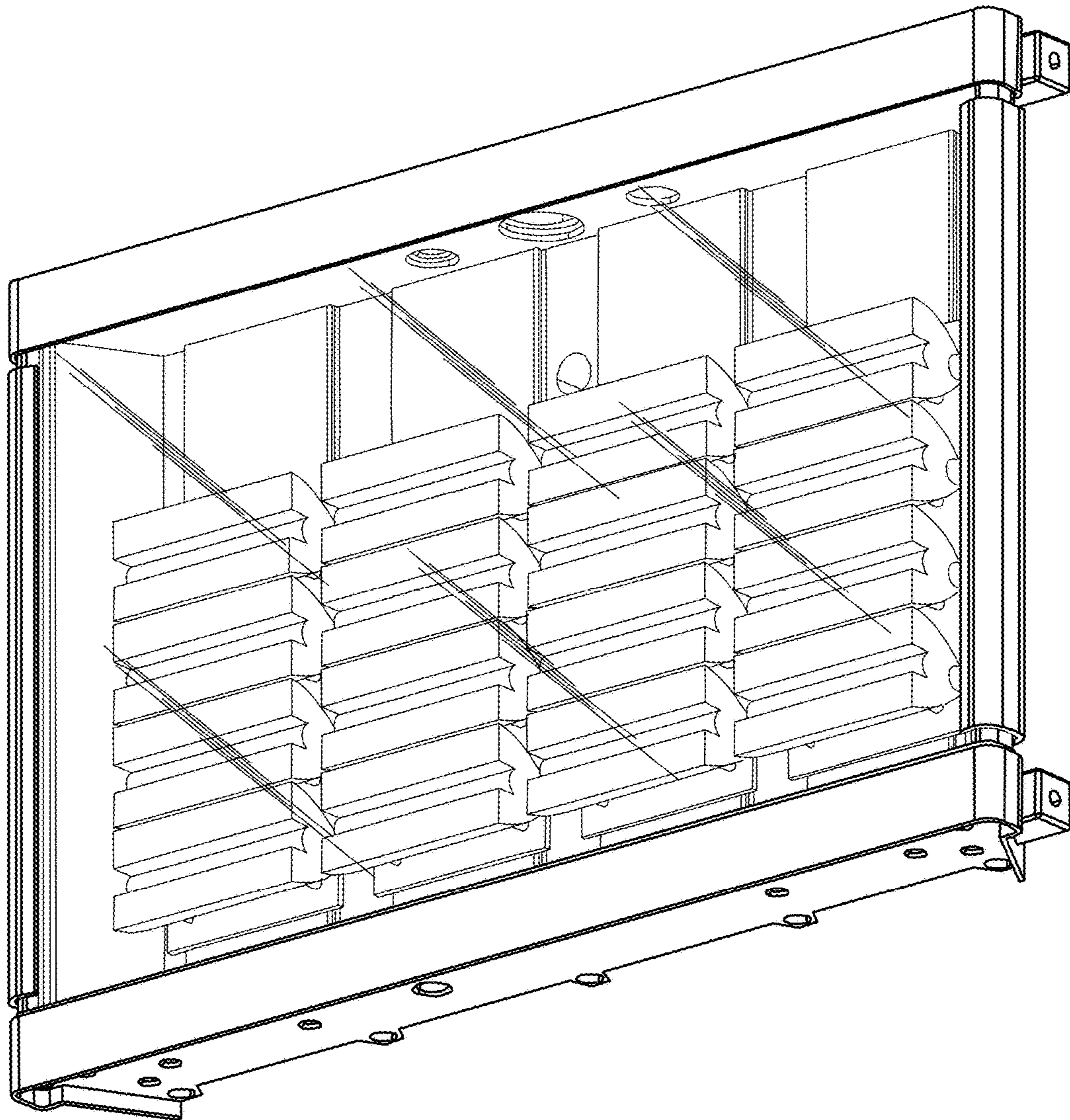


Fig. 2

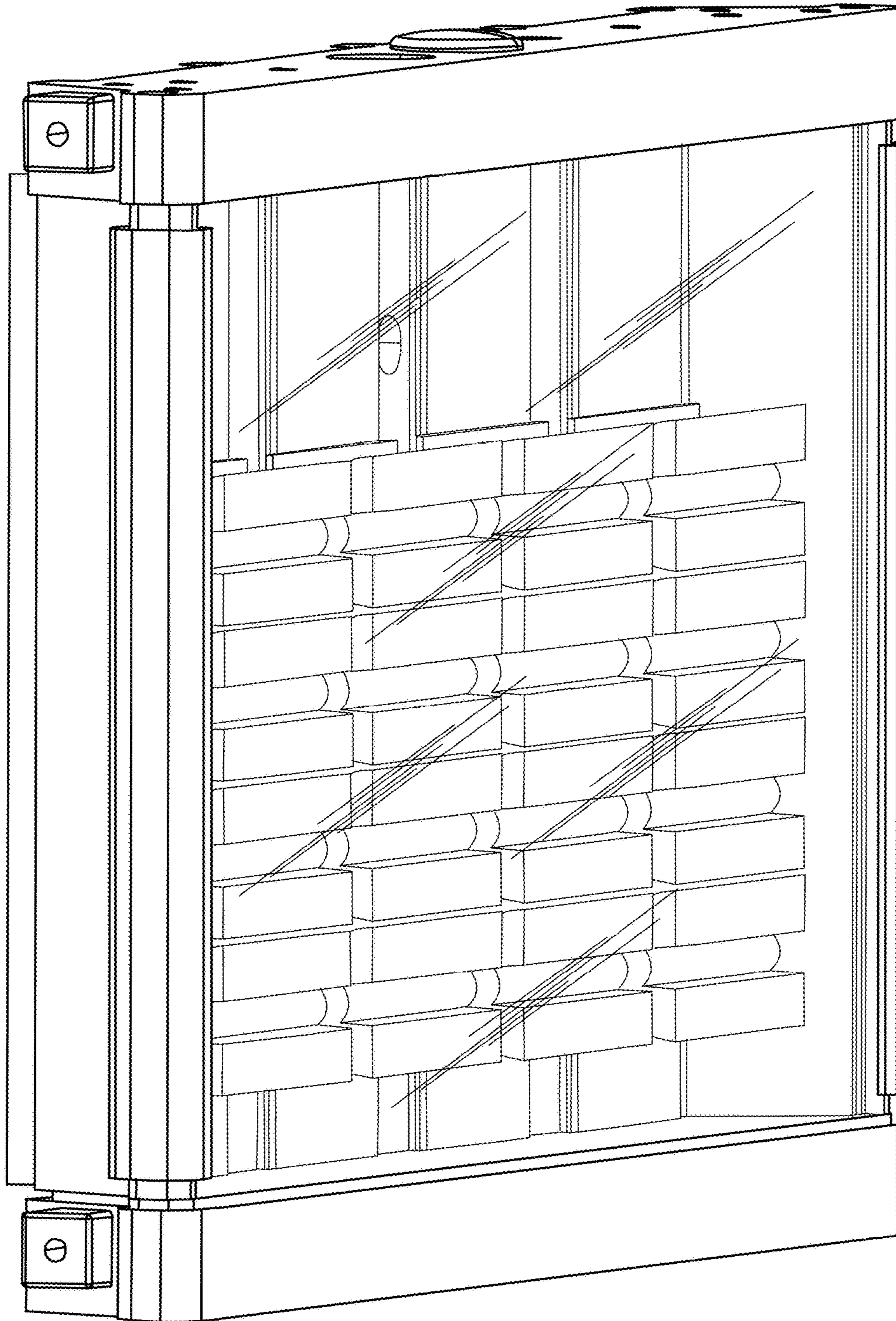


Fig. 3

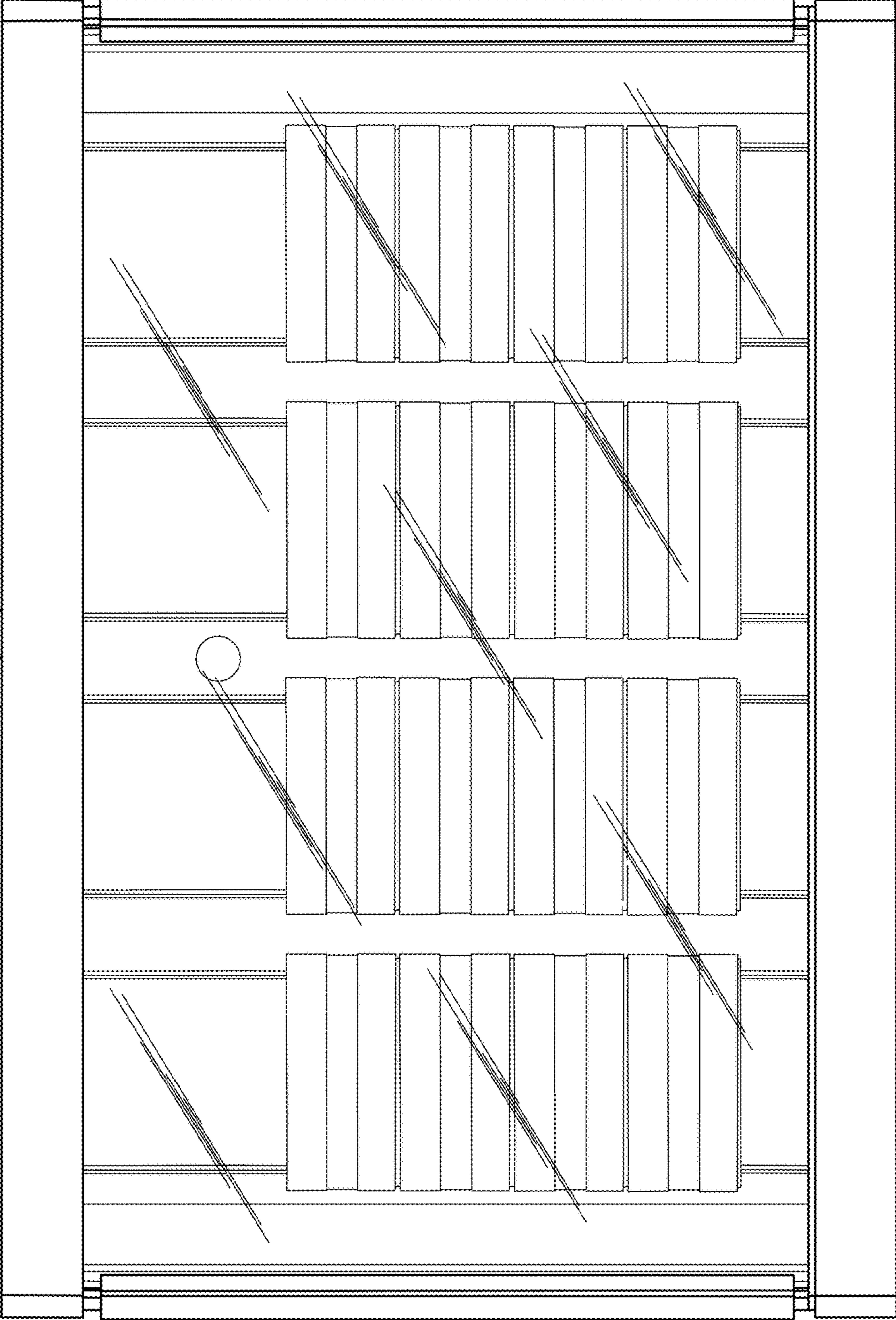


Fig. 4

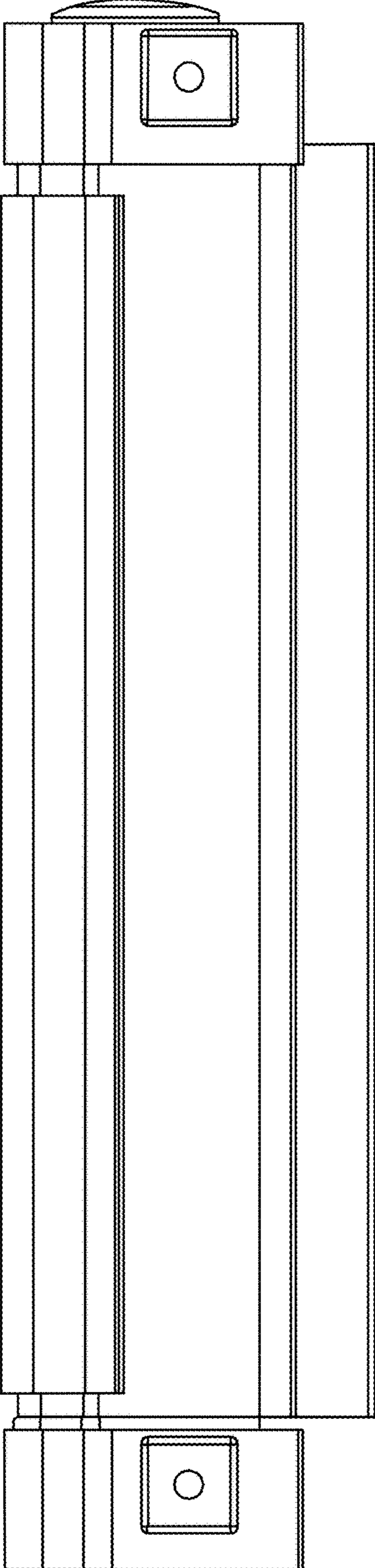


Fig. 5

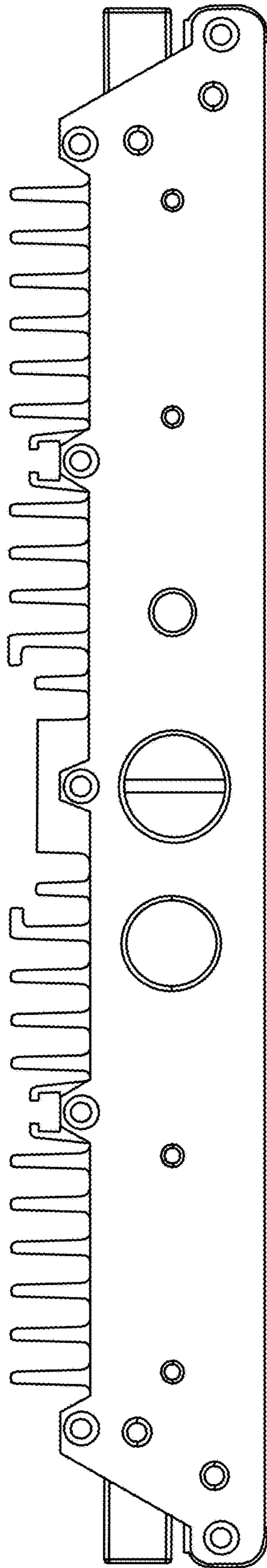


Fig. 6

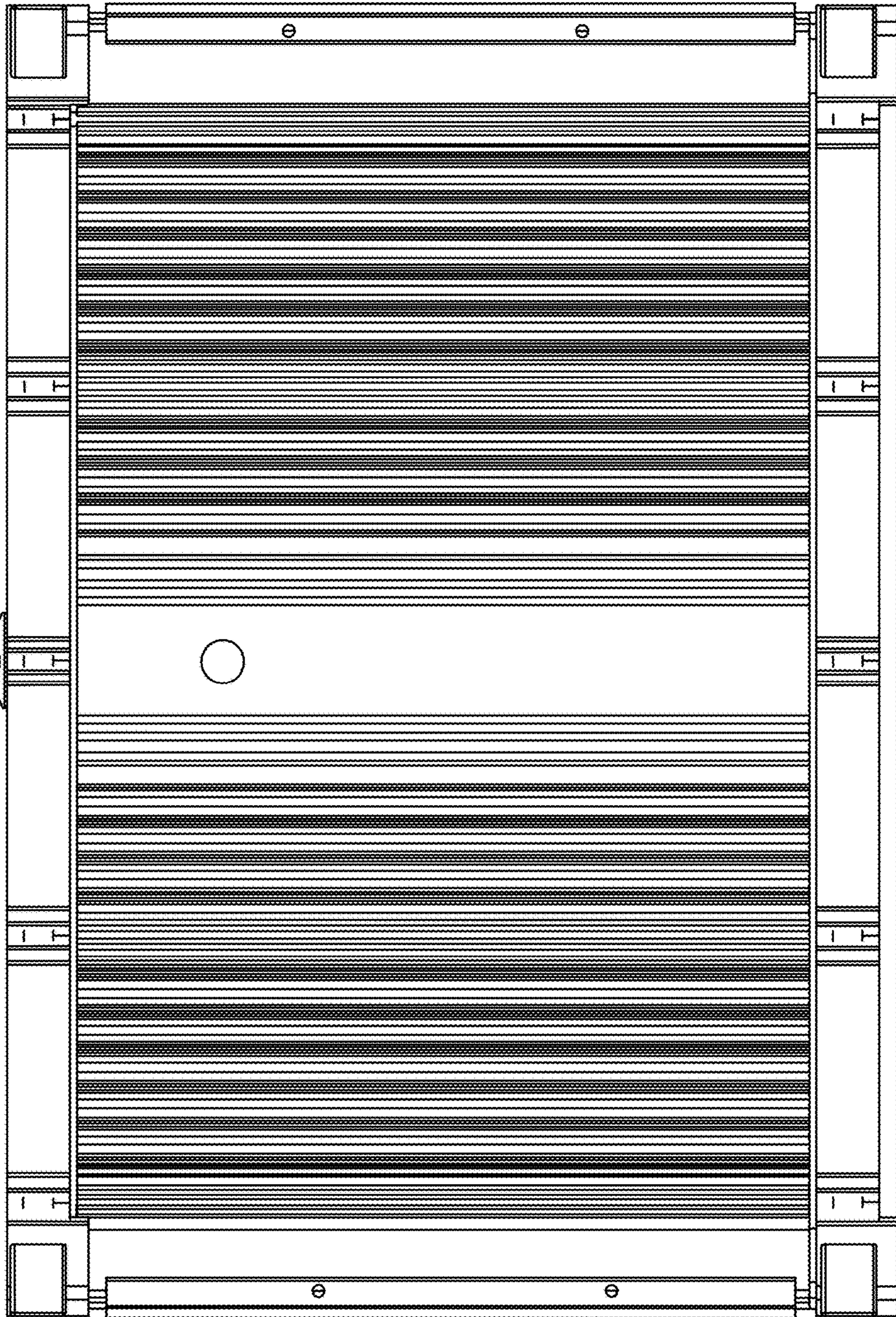


Fig. 7