



US00D799353S

(12) **United States Design Patent** (10) **Patent No.:** **US D799,353 S**
Qu et al. (45) **Date of Patent:** **** Oct. 10, 2017**

(54) **ELECTRONIC LOCATOR BEACON**

(71) Applicant: **Honeywell International Inc.**,
Morristown, NJ (US)

(72) Inventors: **Rocky Qu**, Shanghai (CN); **Jex Zhang**,
Shanghai (CN); **Zhao Xia Jin**,
Shanghai (CN)

(73) Assignee: **Honeywell International Inc.**, Morris
Plains, NJ (US)

(**) Term: **14 Years**

(21) Appl. No.: **29/519,385**

(22) Filed: **Mar. 4, 2015**

(30) **Foreign Application Priority Data**

Sep. 12, 2014 (CN) 2014 3 0336780

(51) **LOC (10) Cl.** **10-05**

(52) **U.S. Cl.**
USPC **D10/104.2**

(58) **Field of Classification Search**
USPC D10/65, 104.1, 104.2
See application file for complete search history.

(56) **References Cited**

U.S. PATENT DOCUMENTS

D673,473 S * 1/2013 Hogg D10/104.1
D675,946 S * 2/2013 Chan D10/65
D694,658 S * 12/2013 Avidor D10/65

D710,228 S * 8/2014 Burke D10/104.1
D710,229 S * 8/2014 Burke D10/104.1
D764,957 S * 8/2016 Bhattacharya D10/104.1
D777,050 S * 1/2017 Will D10/104.1
D777,592 S * 1/2017 Benoit D10/104.1

* cited by examiner

Primary Examiner — George D Kirschbaum

(74) *Attorney, Agent, or Firm* — Conley Rose, P.C.;
Kristin Jordan Harkins

(57) **CLAIM**

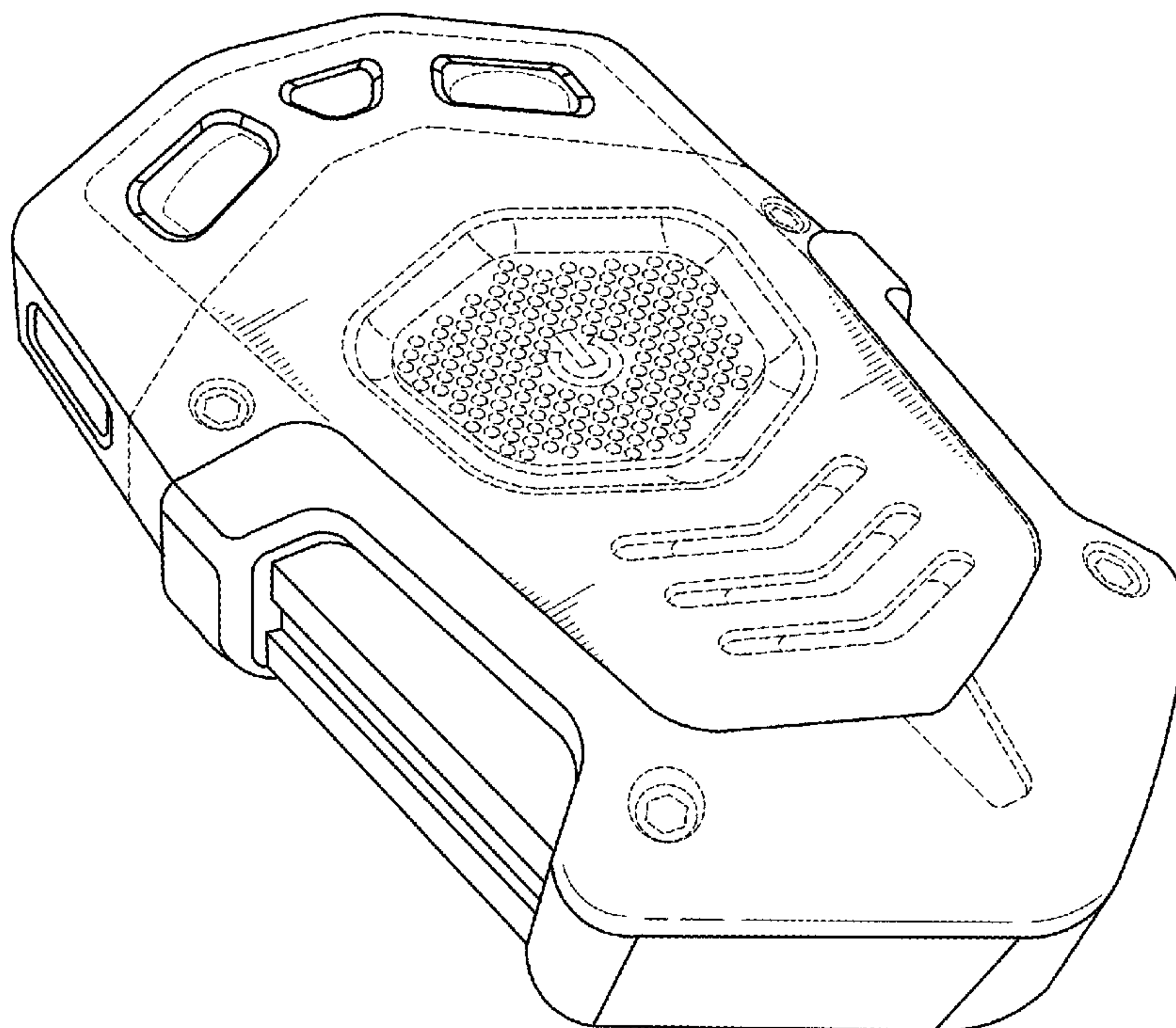
The ornamental design for an electronic locator beacon, as shown and described.

DESCRIPTION

FIG. 1 is a front perspective view of an electronic locator beacon in accordance with the new design;
FIG. 2 is a rear perspective view thereof;
FIG. 3 shows the rear perspective view of FIG. 2 with an exemplary attachment strap;
FIG. 4 is a front elevation view of an electronic locator beacon in accordance with the new design;
FIG. 5 is a rear elevation view thereof;
FIG. 6 is a side elevation view thereof;
FIG. 7 is an alternate side elevation view thereof, showing the side opposing that shown in FIG. 6;
FIG. 8 is a top elevation view thereof; and,
FIG. 9 is a bottom elevation view thereof.

The broken lines shown in the drawings are only provided to illustrate the environment of the design, and form no part of the claimed design.

1 Claim, 7 Drawing Sheets



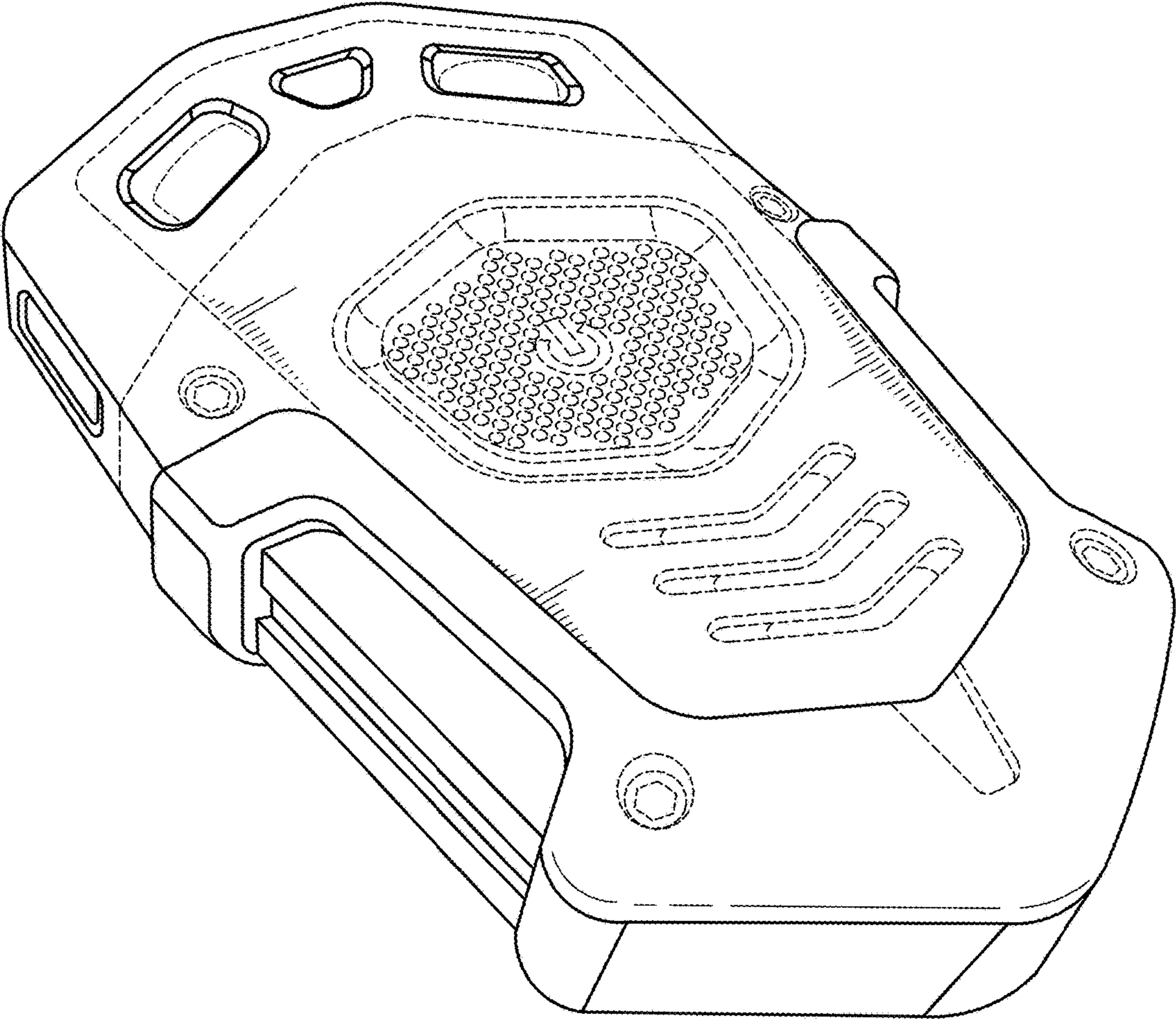


FIG. 1

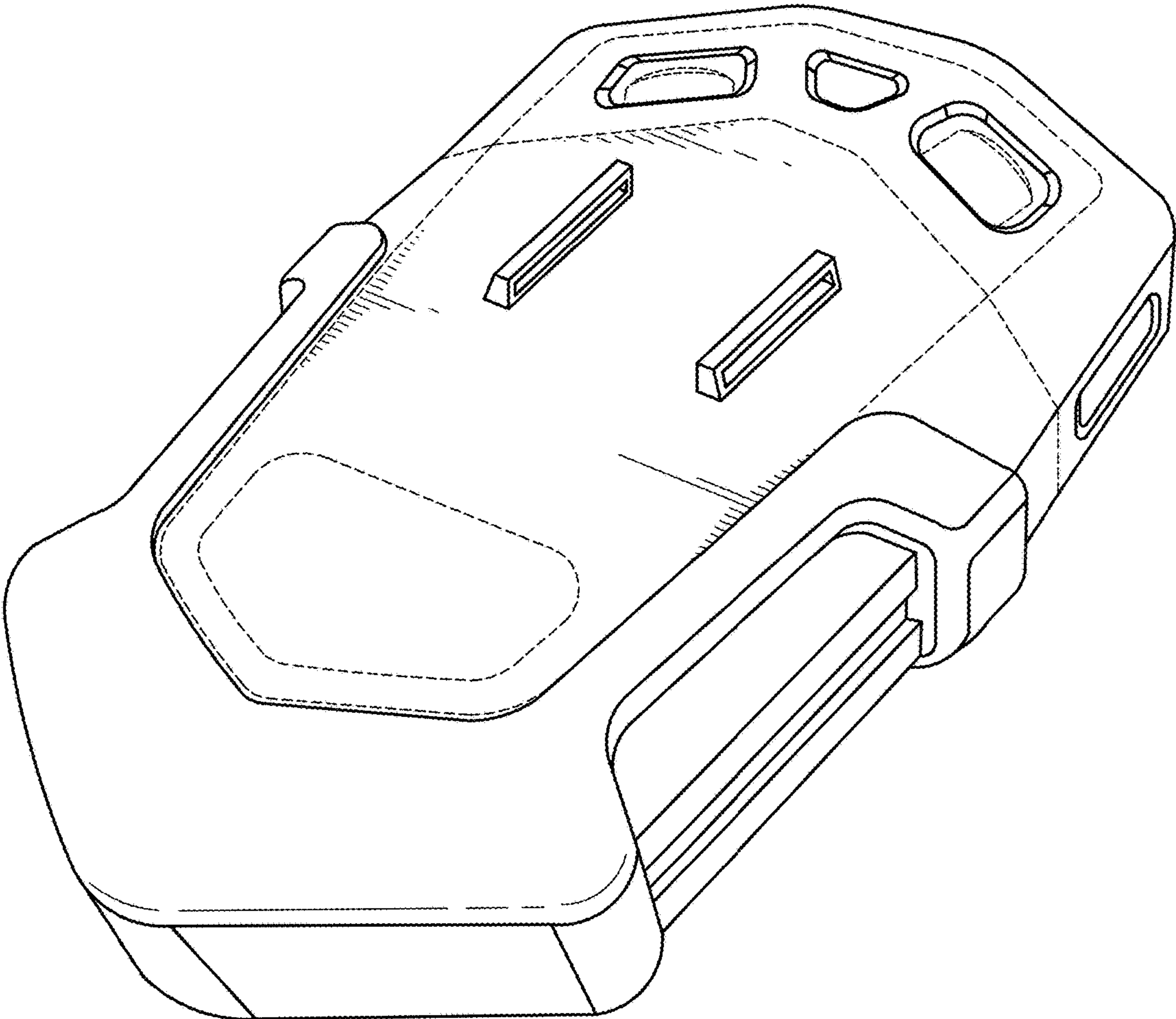


FIG. 2

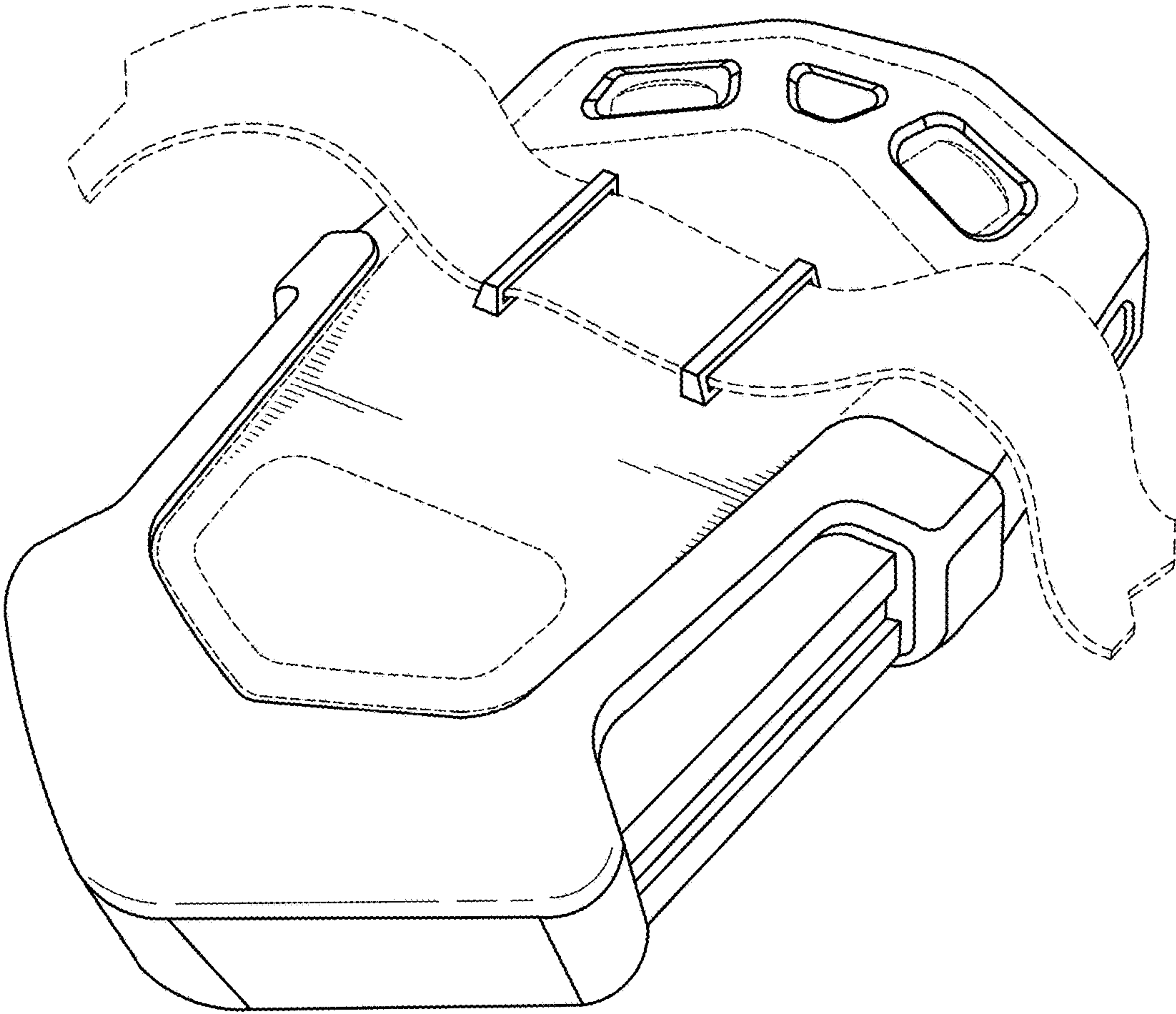


FIG. 3

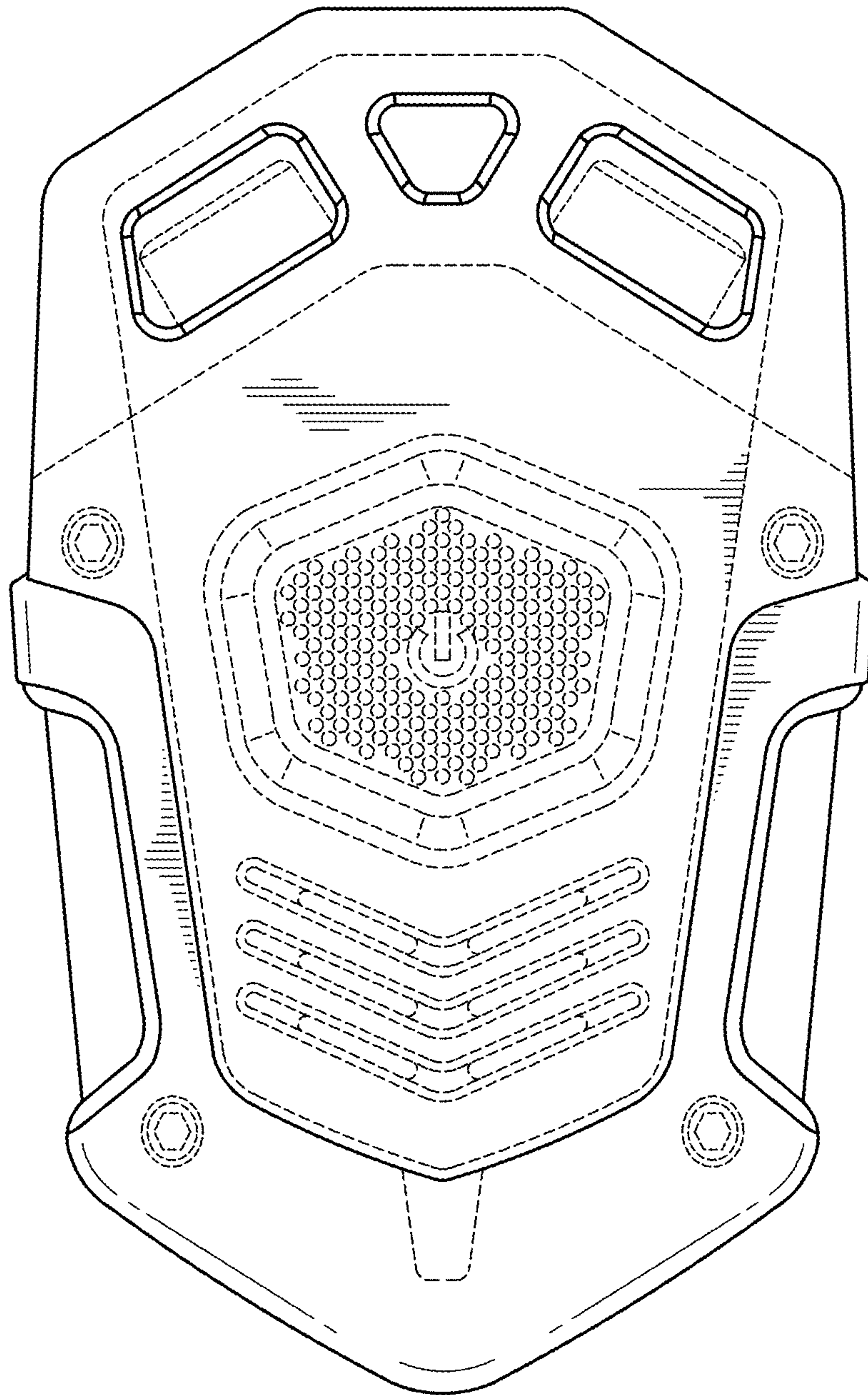


FIG. 4

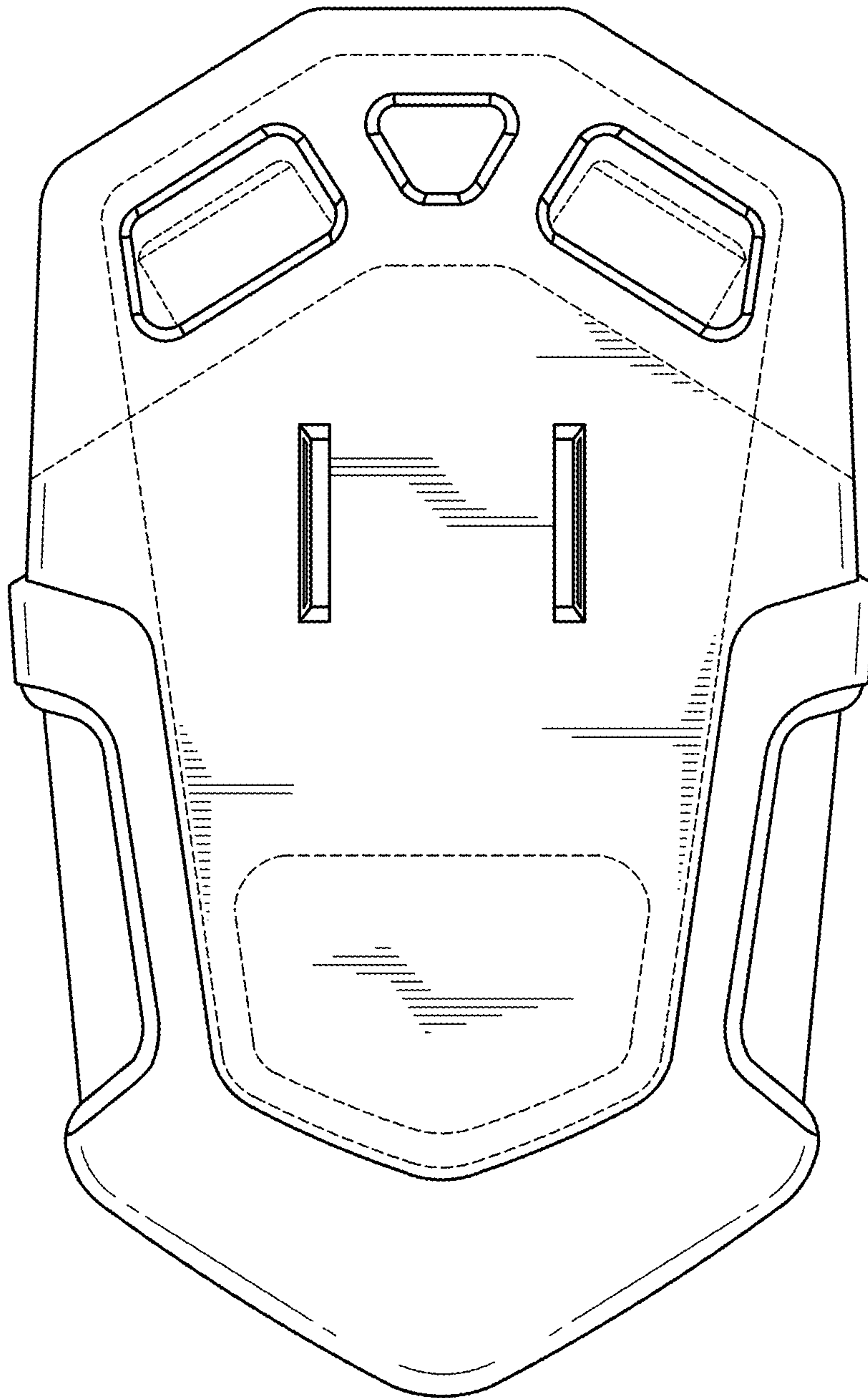


FIG. 5

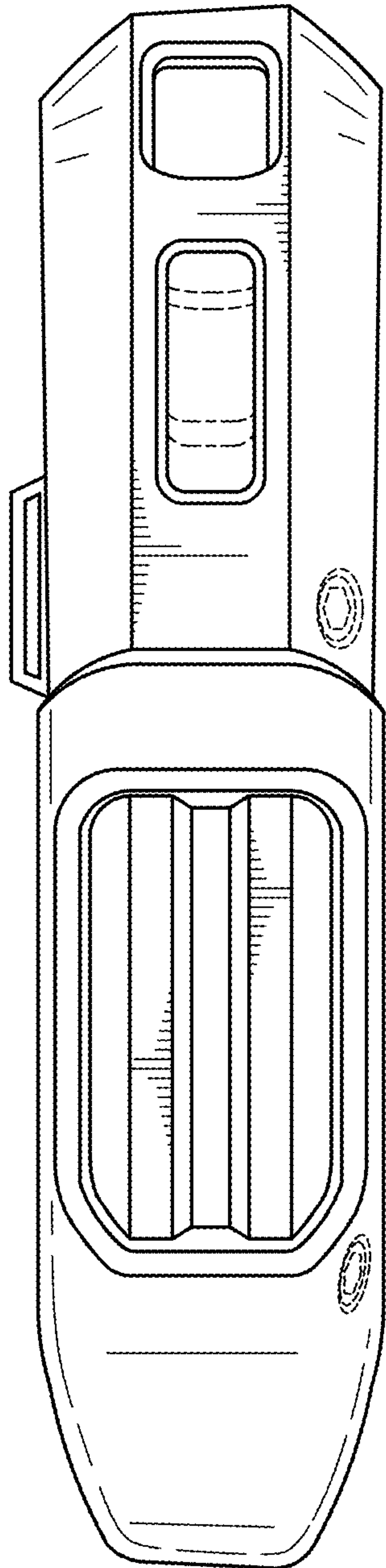


FIG. 6

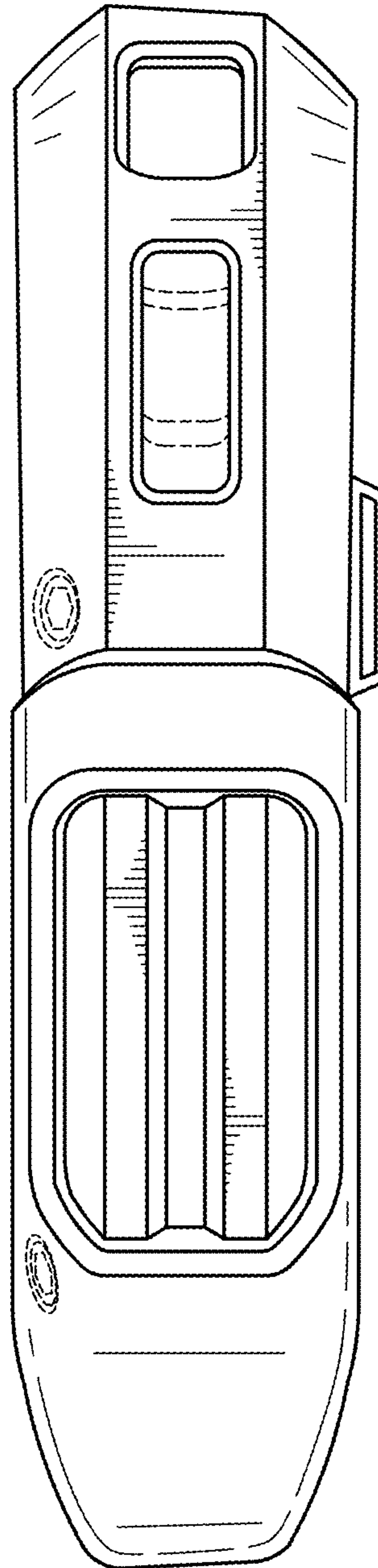


FIG. 7

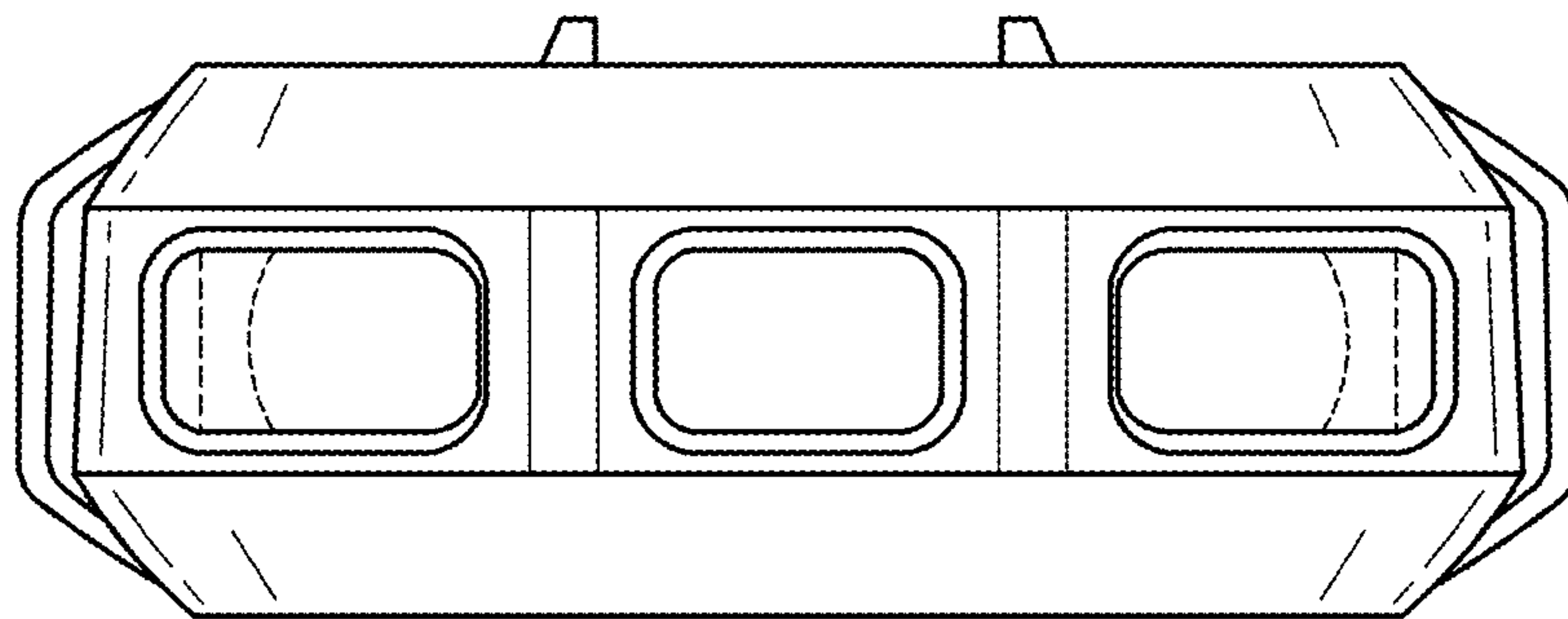


FIG. 8

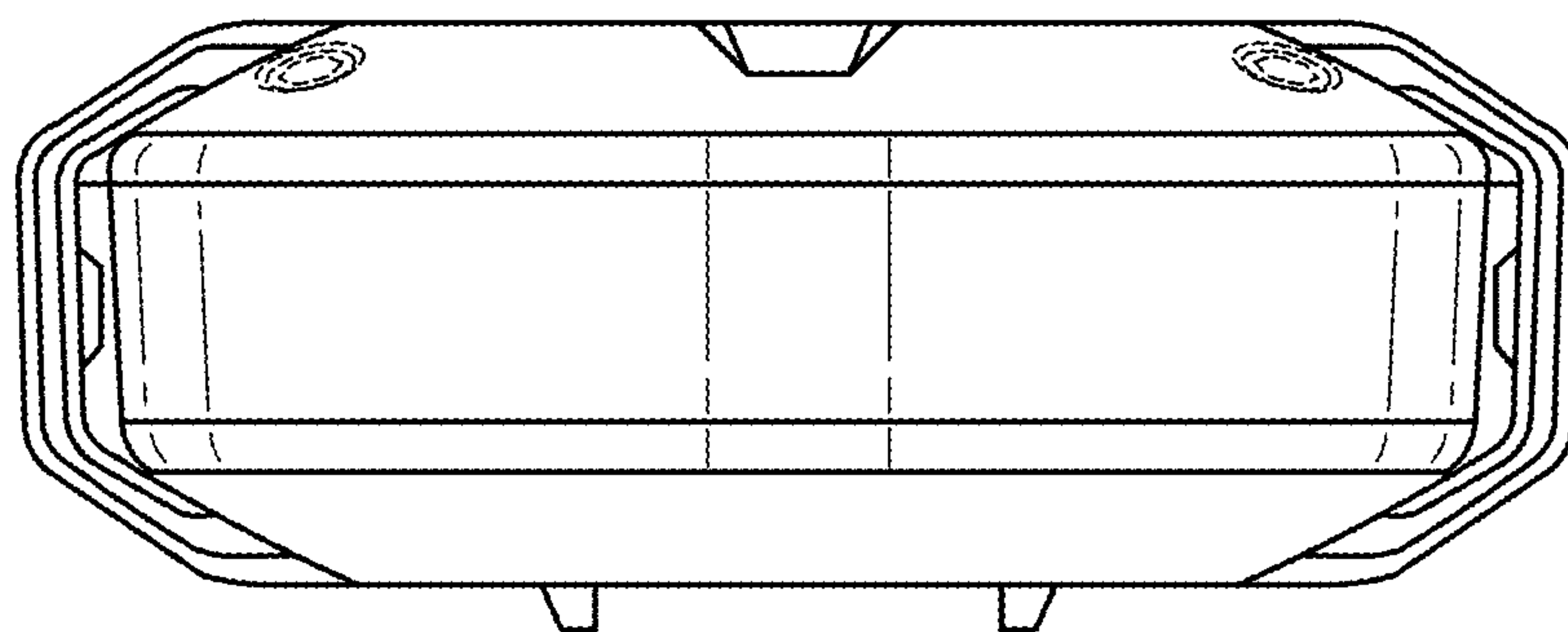


FIG. 9