



US00D799352S

(12) **United States Design Patent** (10) **Patent No.:** **US D799,352 S**  
**Charreyron** (45) **Date of Patent:** **\*\* Oct. 10, 2017**

(54) **MEASURING DEVICE**

(56) **References Cited**

(71) Applicants: **COMPAGINE GENERALE DES ETABLISSEMENTS MICHELIN**, Clermont-Ferrand (FR); **Michelin Recherche et Technique S.A.**, Granges-Paccot (CH)

U.S. PATENT DOCUMENTS

D484,063 S \* 12/2003 Chen ..... D10/49  
D586,681 S \* 2/2009 Jackson ..... D10/103  
D726,569 S \* 4/2015 Thiele ..... D10/103

\* cited by examiner

(72) Inventor: **Jacques Charreyron**, Clermont-Ferrand (FR)

*Primary Examiner* — Antoine D Davis

(74) *Attorney, Agent, or Firm* — Dickinson Wright PLLC

(73) Assignees: **Compagnie Generale Des Etablissements Michelin** (FR); **Michelin Recherche Et Technique S.A.** (CH)

(57) **CLAIM**

The ornamental design for a measuring device, as shown and described.

(\*\*) Term: **15 Years**

**DESCRIPTION**

(21) Appl. No.: **29/546,673**

FIG. 1 is a perspective view of the measuring device of my design;

(22) Filed: **Nov. 24, 2015**

FIG. 2 is a front elevation view of the measuring device of my design;

(30) **Foreign Application Priority Data**

FIG. 3 is a rear elevation view of the measuring device of my design;

May 29, 2015 (FR) ..... 2015-2611

FIG. 4 is a bottom elevation view of the measuring device of my design, the top elevation view being identical thereto;

(51) **LOC (10) Cl.** ..... **10-04**

FIG. 5 is a side elevation view of the measuring device of my design; and,

(52) **U.S. Cl.**  
USPC ..... **D10/103**

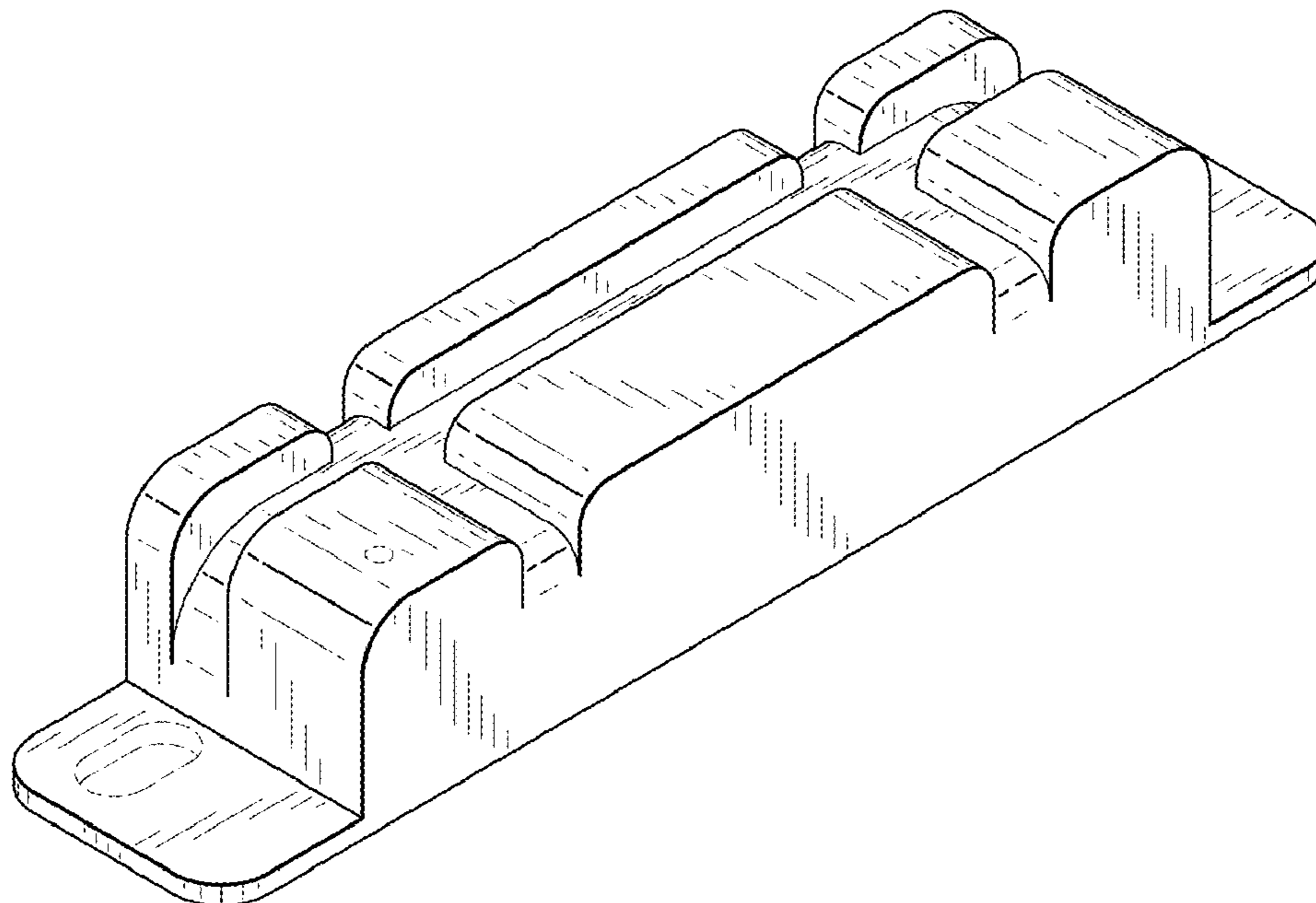
FIG. 6 is a side elevation view of the measuring device of my design, taken from the opposite side of that shown in FIG. 5.

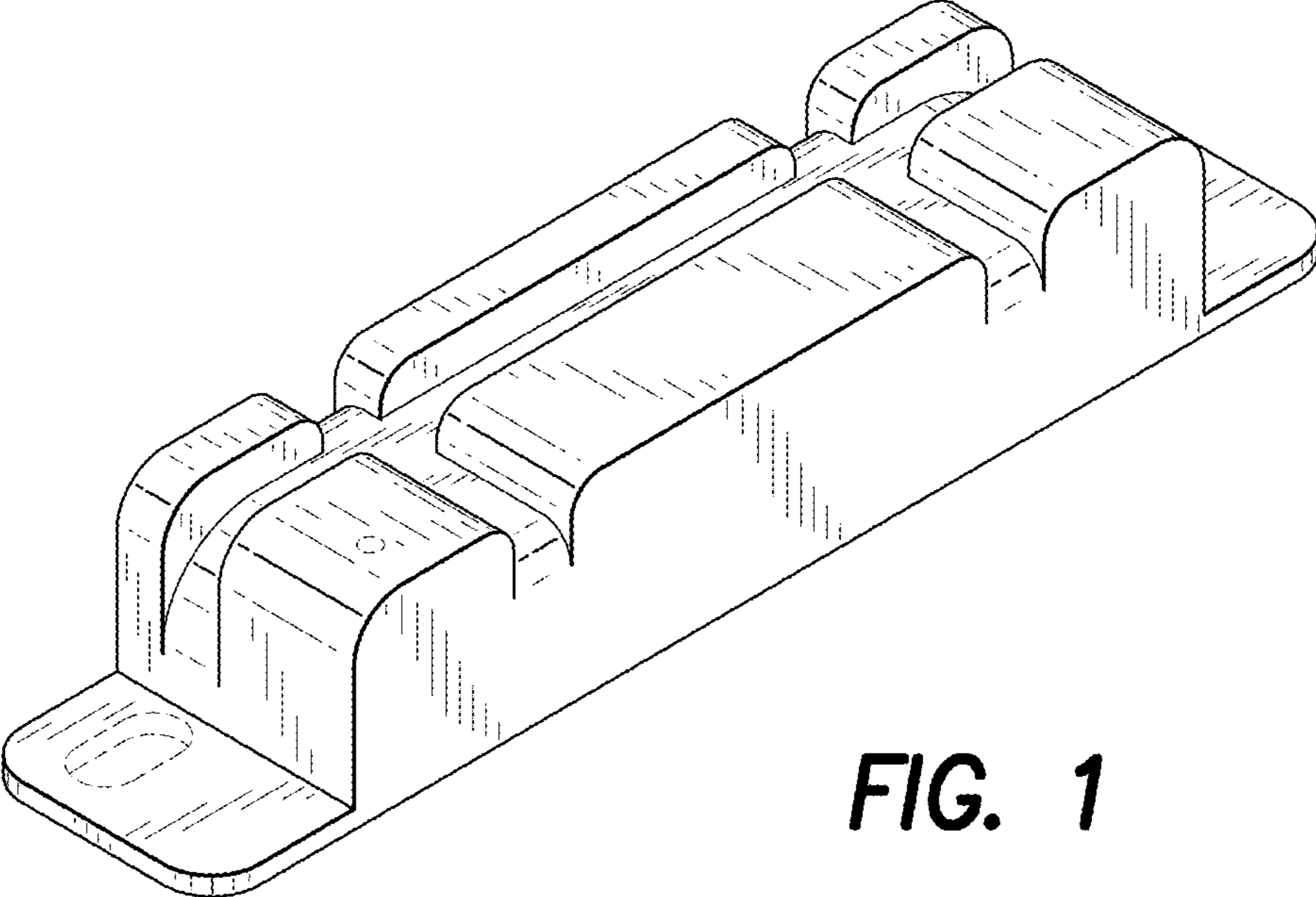
(58) **Field of Classification Search**  
USPC ..... D10/46, 103, 49  
CPC ..... G01D 11/24; G01D 11/245; G01D 11/26;  
G01D 11/28

In the drawings, the broken lines depict subject matter that forms no part of the claimed design.

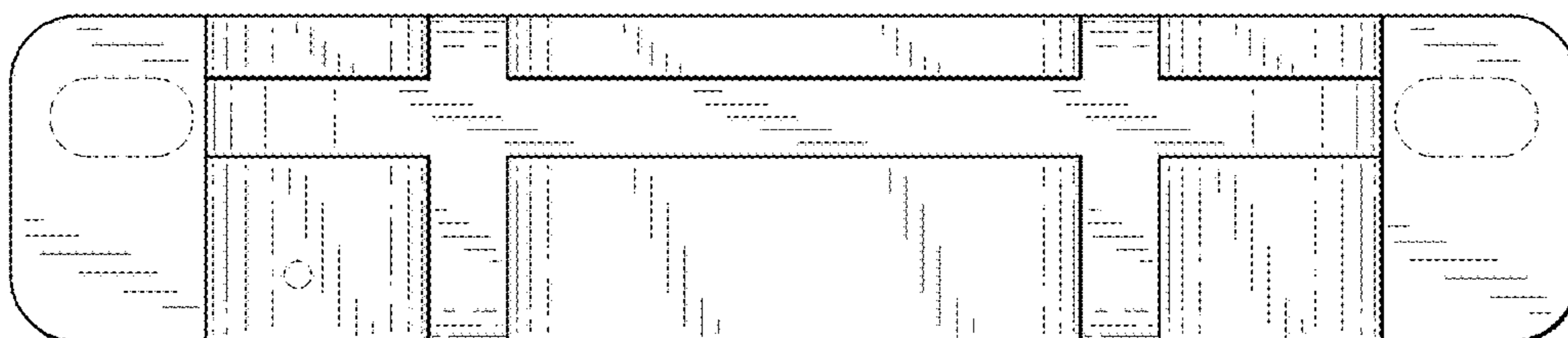
See application file for complete search history.

**1 Claim, 3 Drawing Sheets**

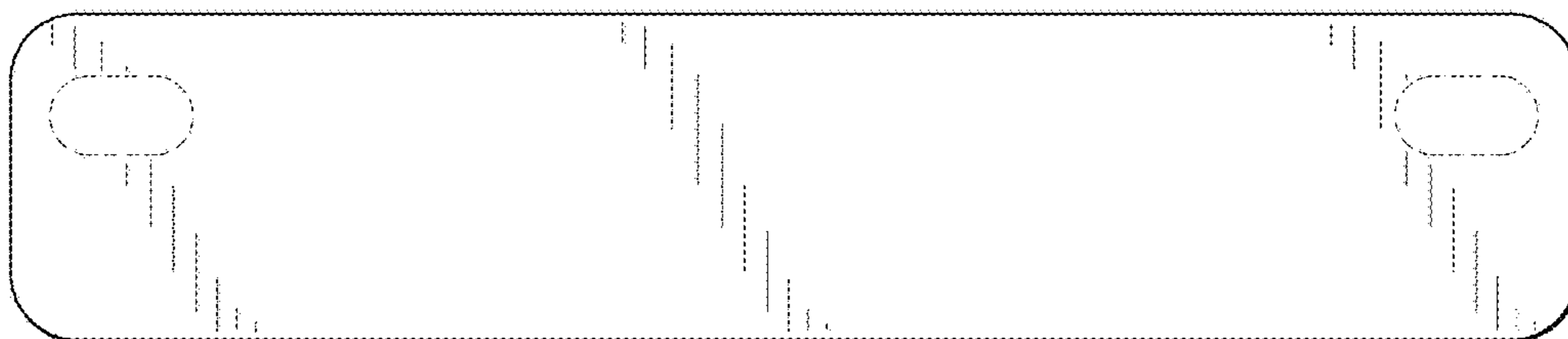




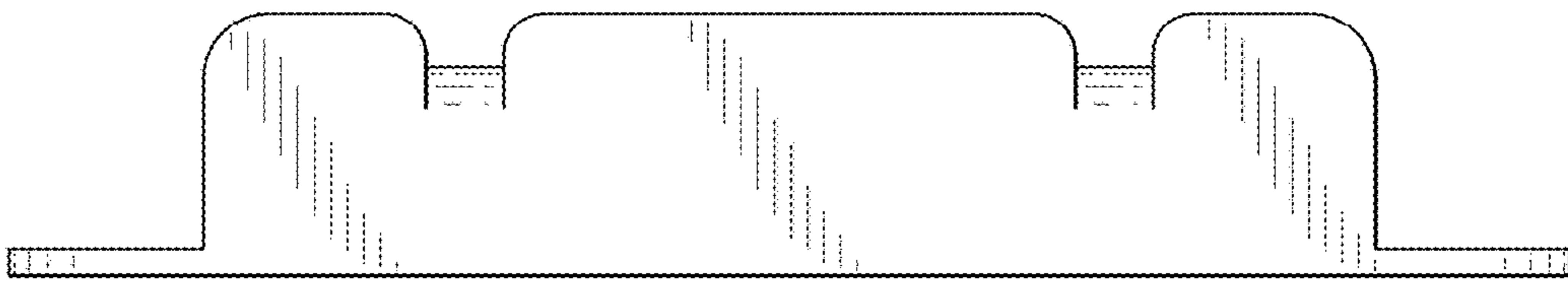
**FIG. 1**



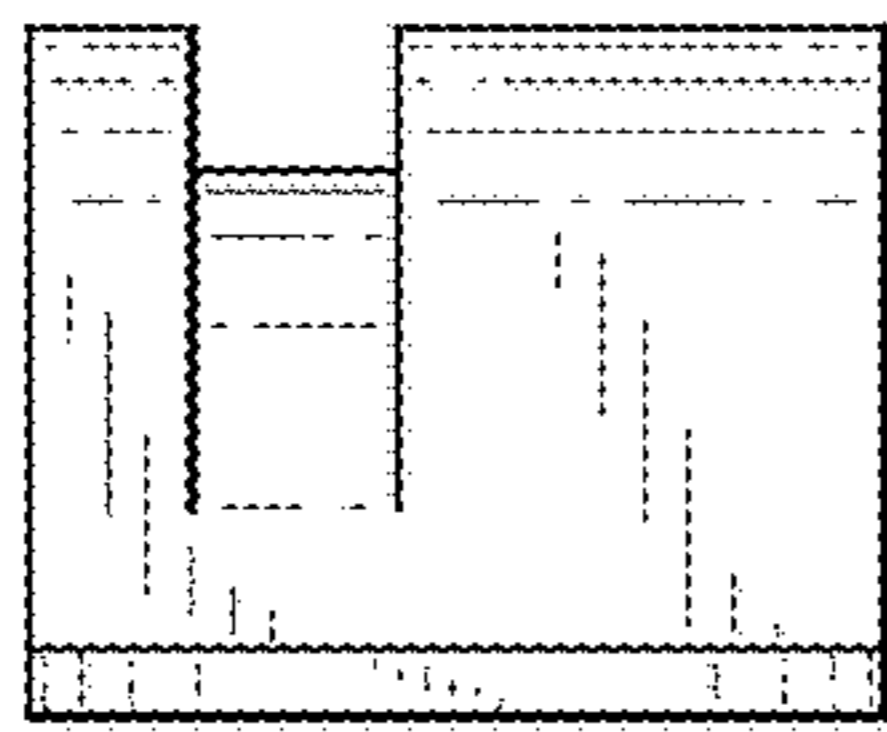
**FIG. 2**



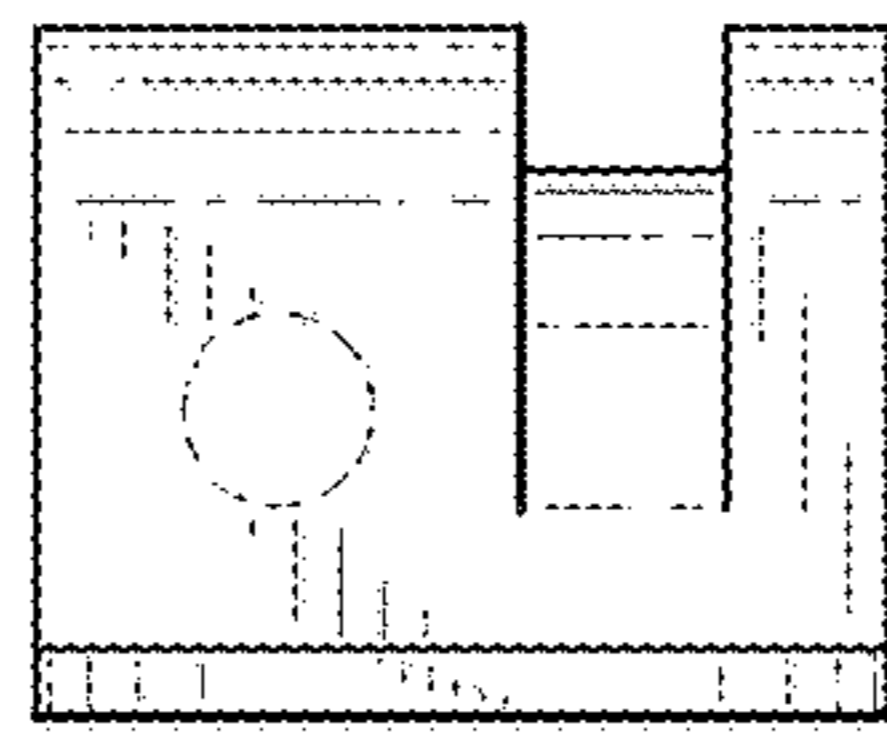
**FIG. 3**



**FIG. 4**



**FIG. 5**



**FIG. 6**