



US00D799351S

(12) **United States Design Patent** (10) **Patent No.:** **US D799,351 S**  
**Li** (45) **Date of Patent:** **\*\* Oct. 10, 2017**

(54) **LUGGAGE SCALE**

(71) Applicant: **GUANGDONG SENSSUN WEIGHING APPARATUS GROUP LTD.**, Zhongshan, Guangdong (CN)

(72) Inventor: **Weiheng Li**, Guangdong (CN)

(73) Assignee: **GUANGDONG SENSSUN WEIGHING APPARATUS GROUP LTD.**, Zhongshan (CN)

(\*\*) Term: **15 Years**

(21) Appl. No.: **29/567,751**

(22) Filed: **Jun. 13, 2016**

(30) **Foreign Application Priority Data**

Mar. 30, 2016 (CN) ..... 2016 3 0099509

(51) **LOC (10) Cl.** ..... **10-04**

(52) **U.S. Cl.**  
USPC ..... **D10/89**

(58) **Field of Classification Search**  
USPC ..... D10/89  
CPC ..... G01G 19/414; G01G 19/58; G01G 19/14;  
G01G 19/16; G01G 19/18; G01G 19/20  
See application file for complete search history.

(56) **References Cited**

U.S. PATENT DOCUMENTS

D653,135 S \* 1/2012 Sheikh ..... D10/89  
8,884,170 B2 \* 11/2014 Sheikh ..... G01G 19/414  
177/148

\* cited by examiner

*Primary Examiner* — Antoine D Davis

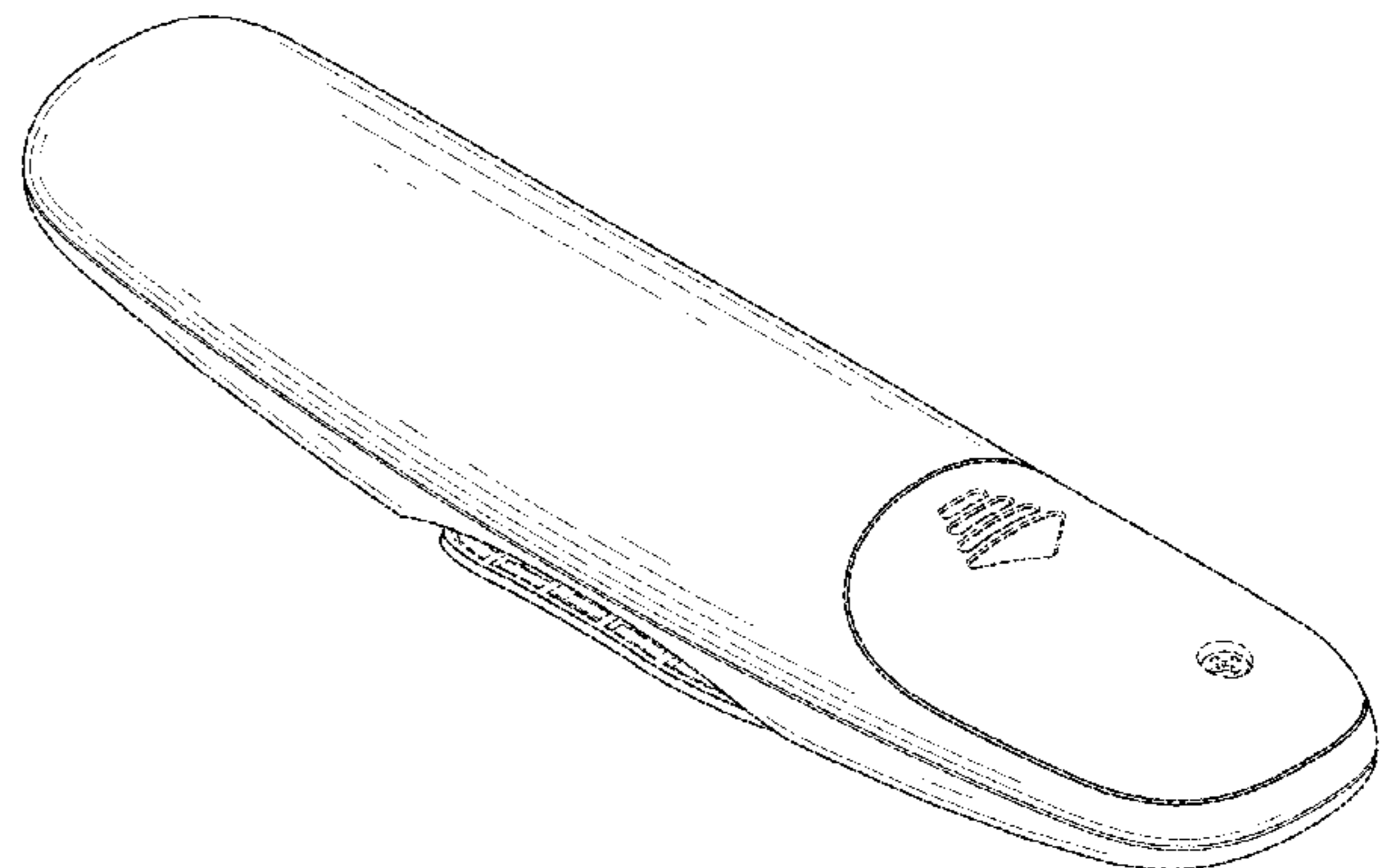
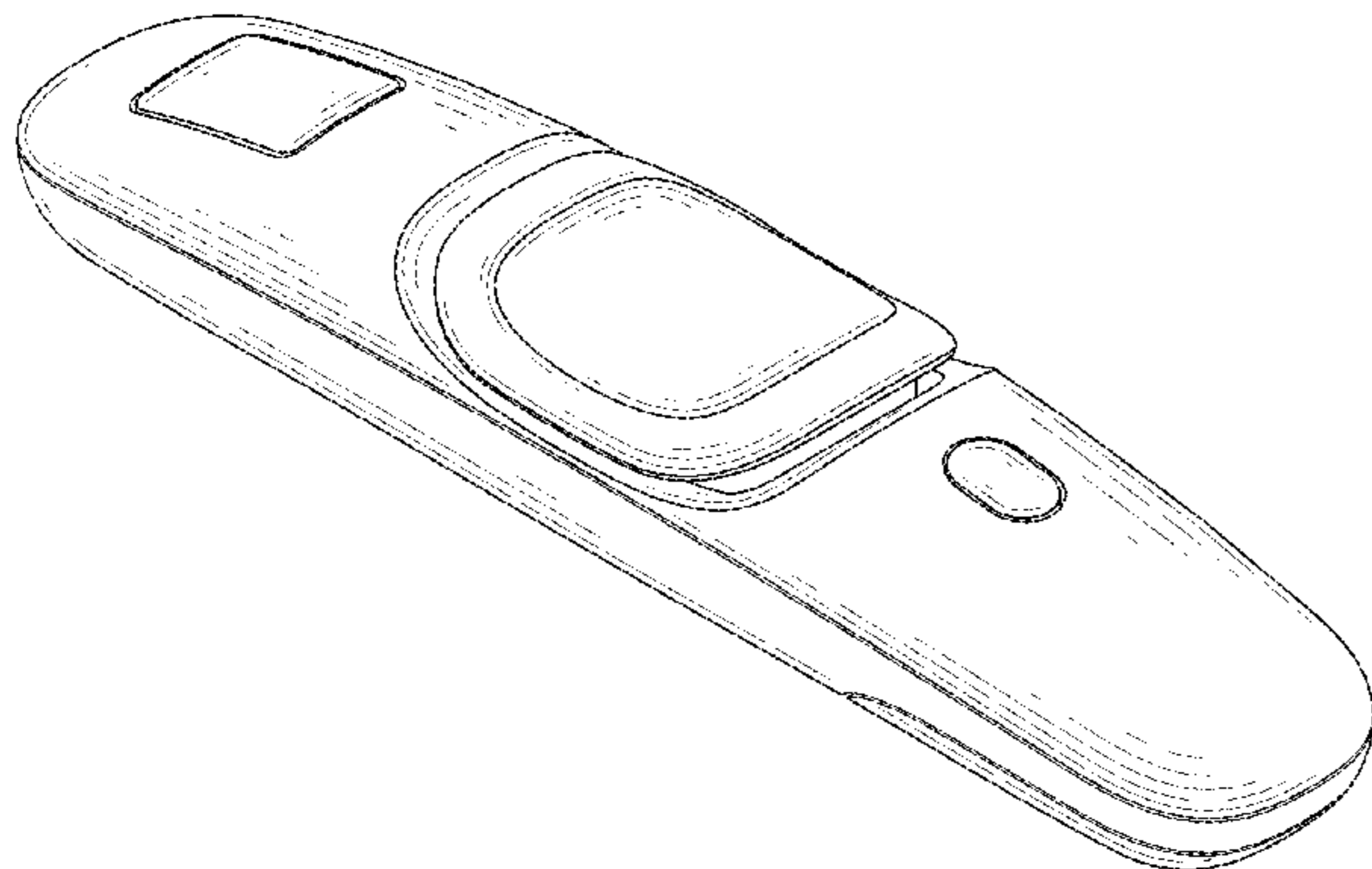
(57) **CLAIM**

The ornamental design for a luggage scale, as shown and described.

**DESCRIPTION**

FIG. 1 is a first perspective view of a luggage scale showing my new design;  
FIG. 2 is a second perspective view thereof;  
FIG. 3 is a front elevational view thereof;  
FIG. 4 is a rear elevational view thereof;  
FIG. 5 is a left side view thereof;  
FIG. 6 is a right side view thereof;  
FIG. 7 is a top plan view thereof; and,  
FIG. 8 is a bottom plan view thereof.  
The broken lines in the drawings illustrate portions of the luggage scale which form no parts of the claimed design.

**1 Claim, 8 Drawing Sheets**



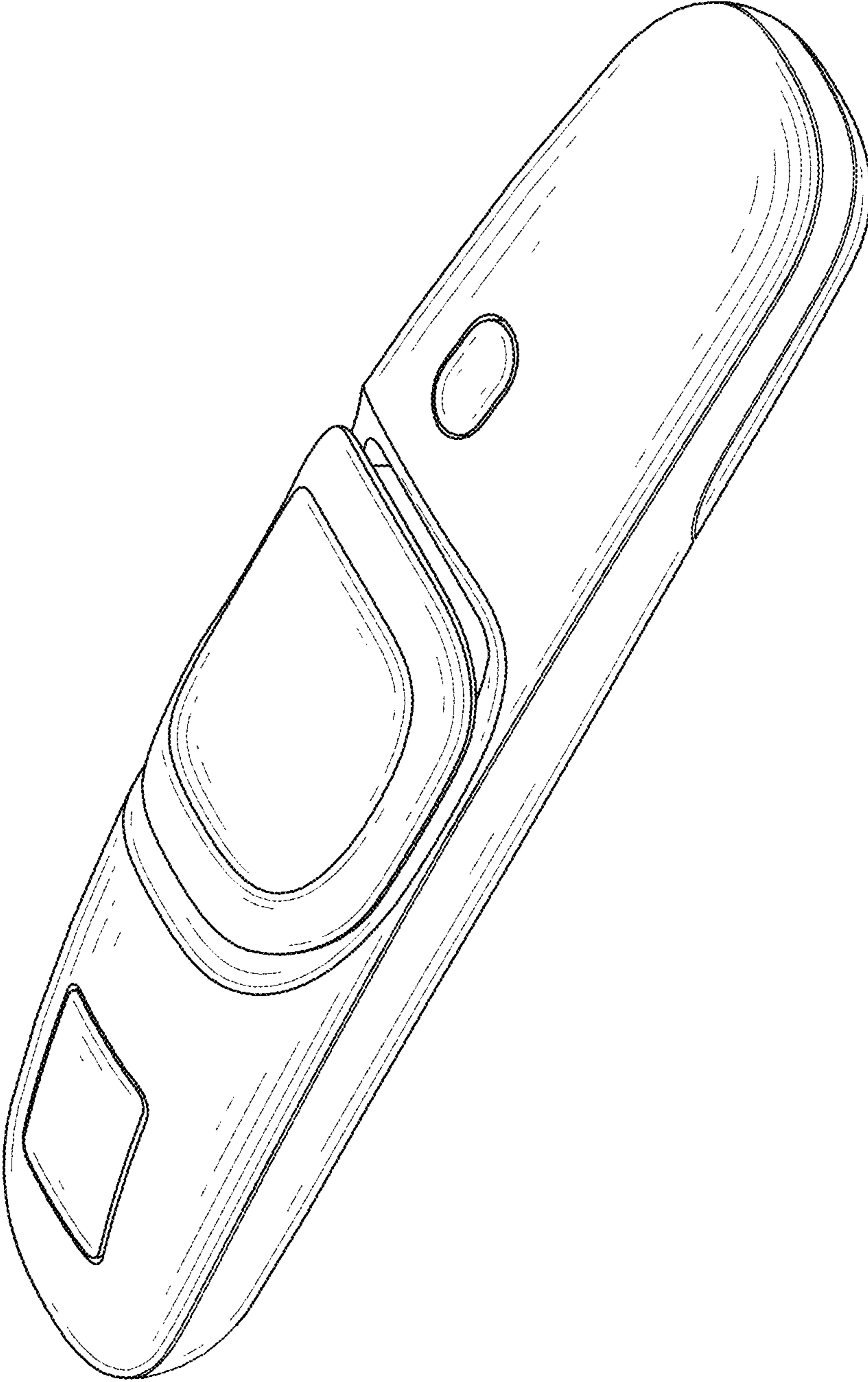


FIG. 1

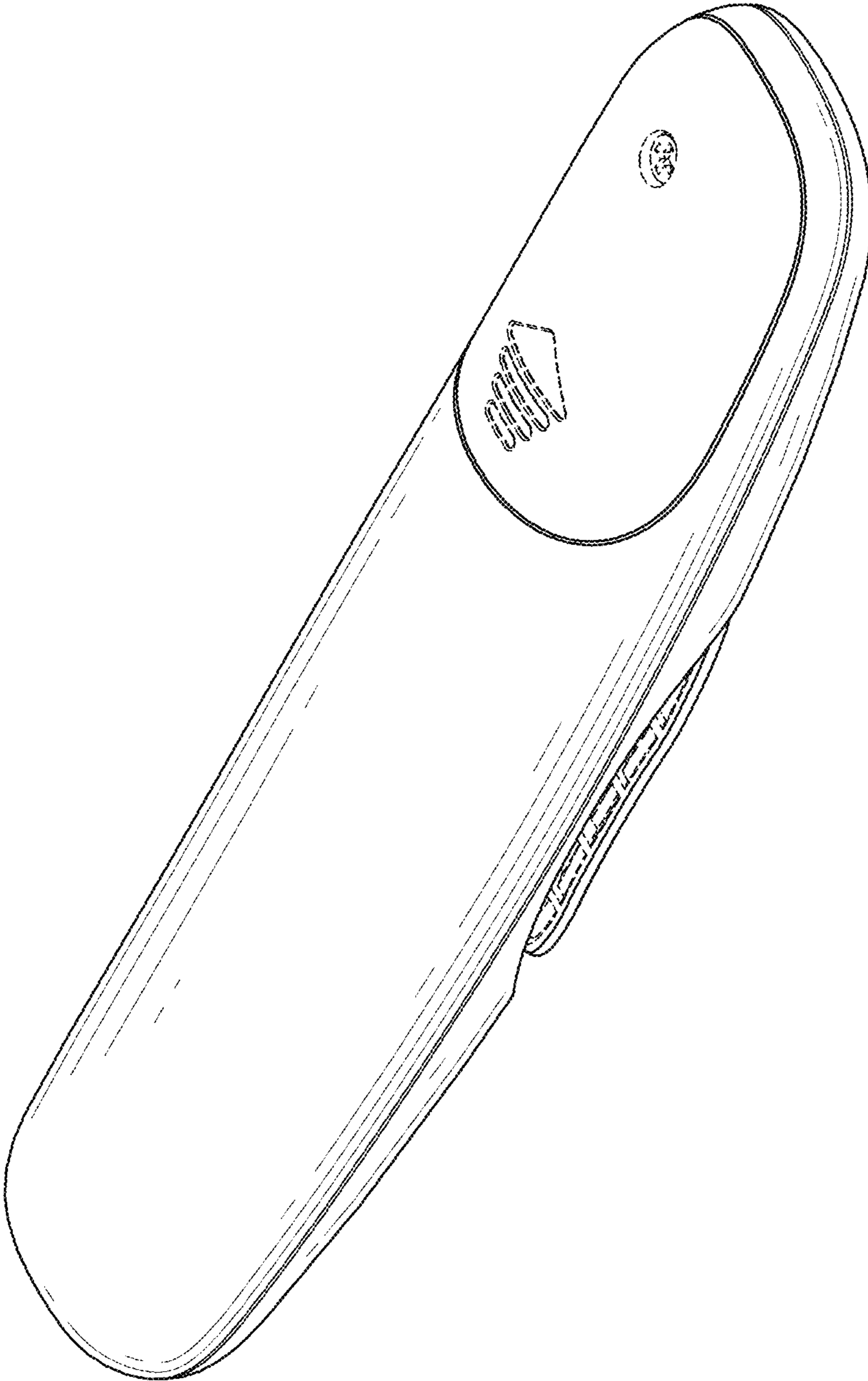


FIG. 2

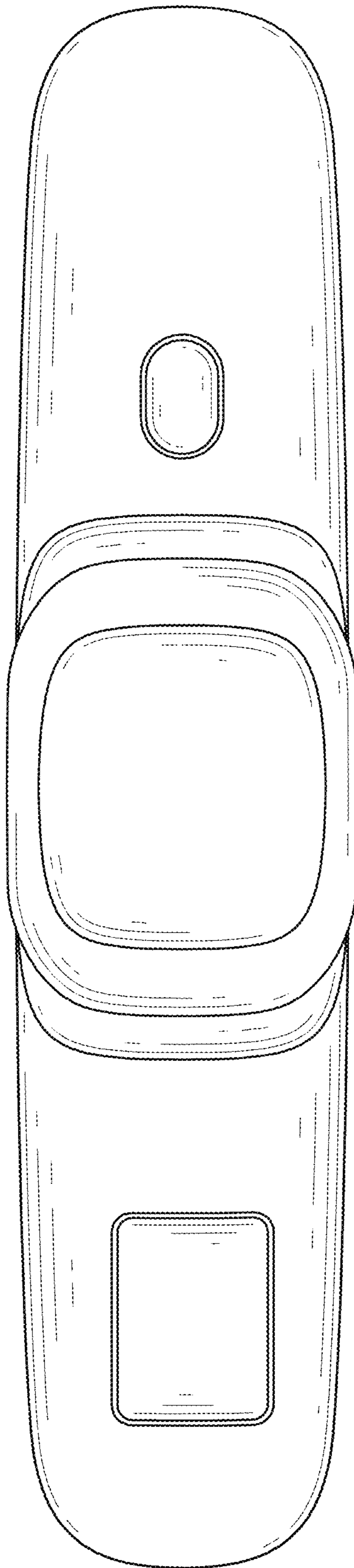


FIG. 3

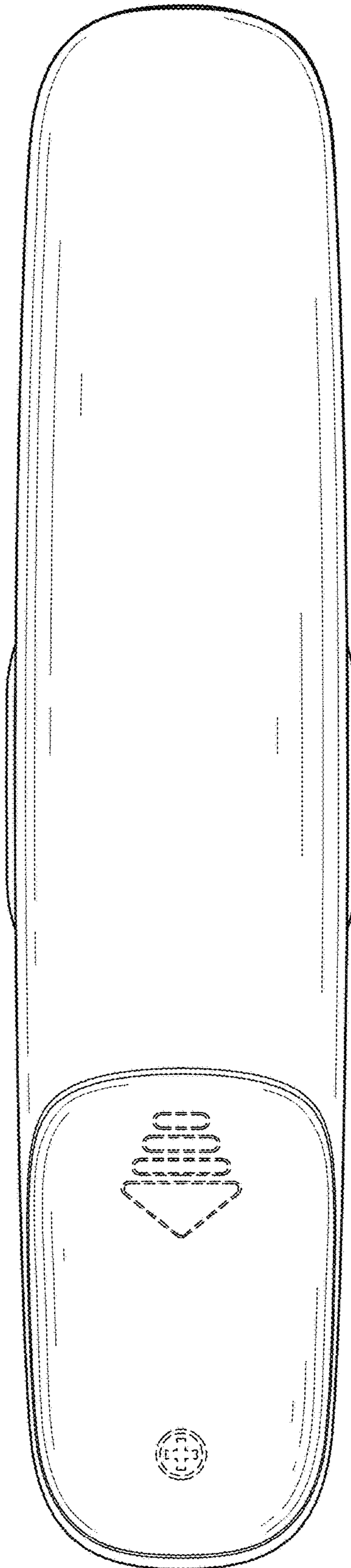


FIG. 4

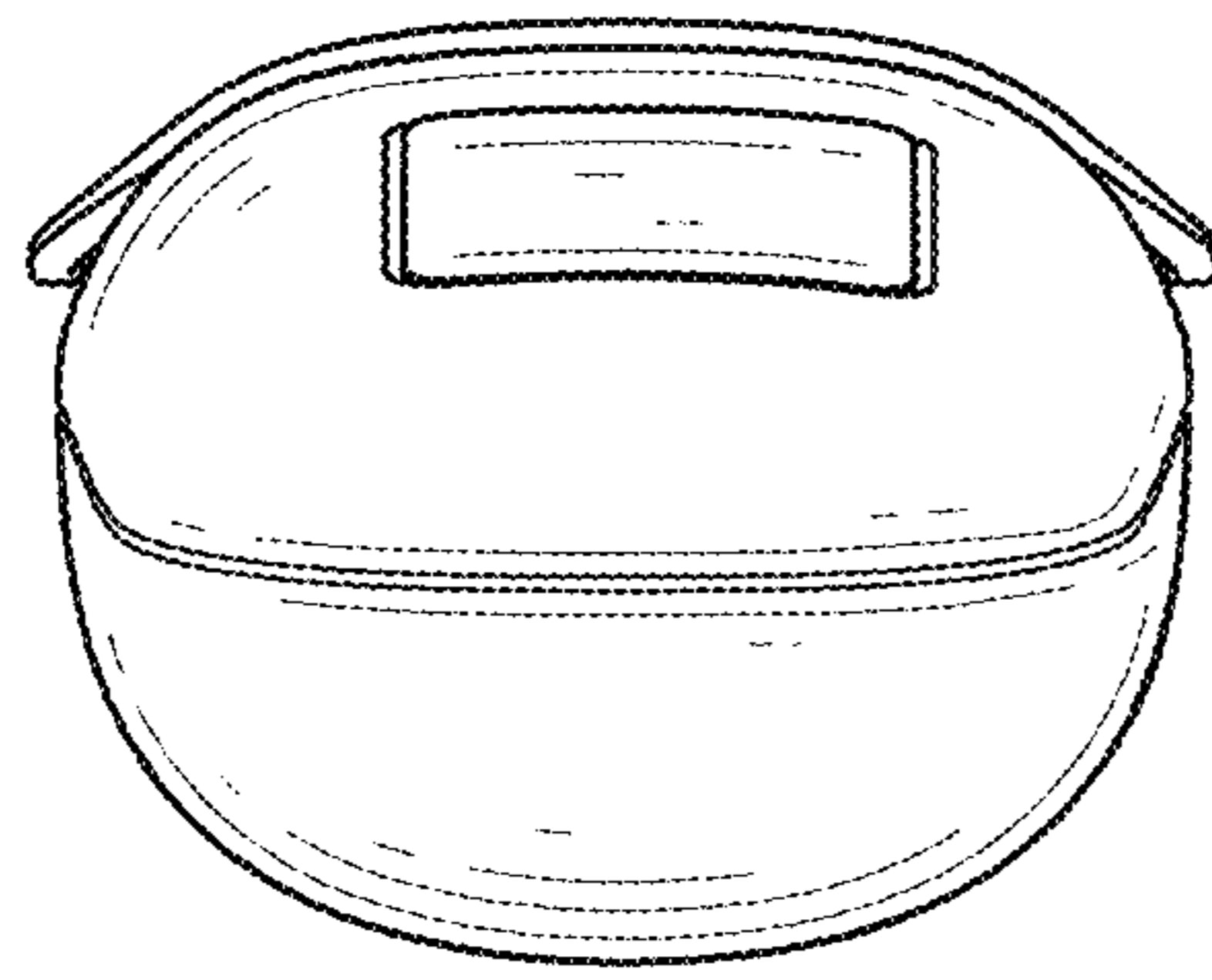


FIG. 5

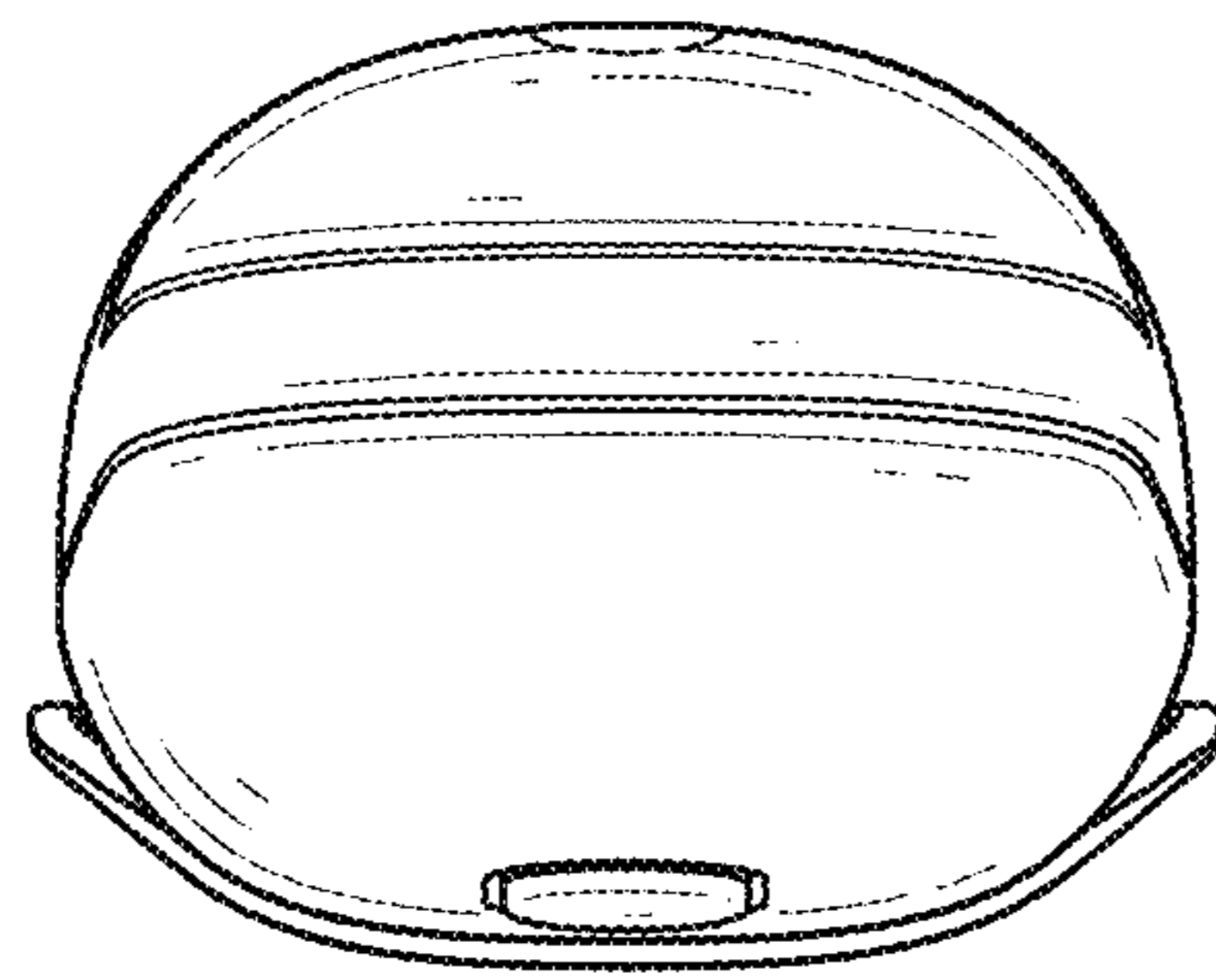


FIG. 6

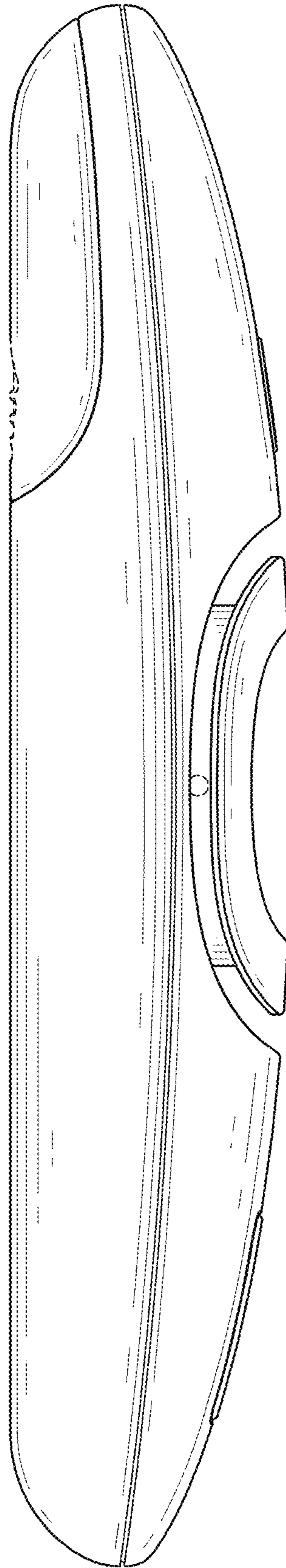


FIG. 7



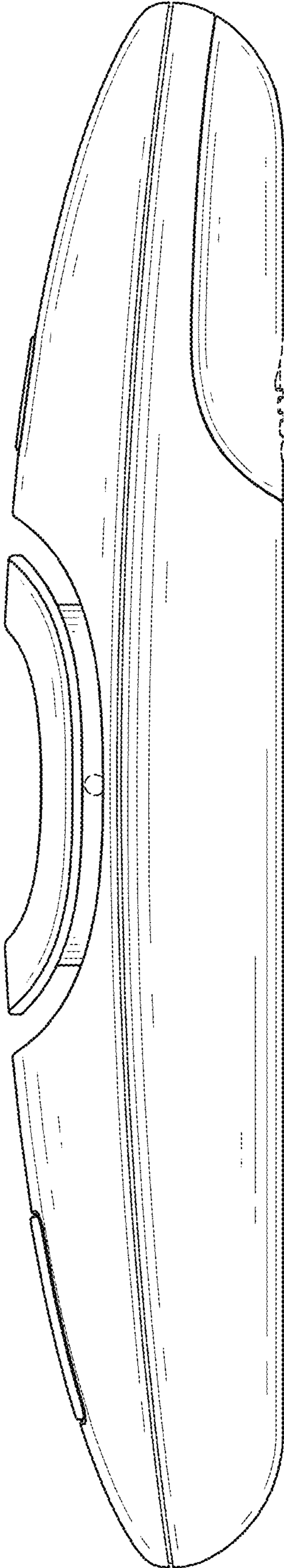


FIG. 8