



US00D799350S

(12) **United States Design Patent**  
**Nagaki et al.**

(10) **Patent No.:** **US D799,350 S**  
(45) **Date of Patent:** **\*\* Oct. 10, 2017**

(54) **TENSION METER**

(71) Applicant: **Nagaki Seiki Co., Ltd.**, Daito, Osaka (JP)

(72) Inventors: **Takayuki Nagaki**, Daito (JP);  
**Yasutsugu Nogawa**, Daito (JP)

(73) Assignee: **Nagaki Seiki Co., Ltd.**, Daito, Osaka (JP)

(\*\*) Term: **15 Years**

(21) Appl. No.: **29/559,199**

(22) Filed: **Mar. 25, 2016**

(30) **Foreign Application Priority Data**

Mar. 3, 2016 (JP) ..... 2016-004806

(51) **LOC (10) Cl.** ..... **10-04**

(52) **U.S. Cl.**  
USPC ..... **D10/83**

(58) **Field of Classification Search**  
USPC ..... D10/83-85  
CPC ..... G01N 3/062; G01N 3/068; G01N 3/08;  
G01N 3/10; G01N 3/12; G01N 3/14;  
G01N 3/16; G01N 3/32; G01N 3/34;  
G01N 3/36; G01N 3/38

See application file for complete search history.

(56) **References Cited**

U.S. PATENT DOCUMENTS

D340,656 S \* 10/1993 Badcock ..... D10/83  
5,729,335 A \* 3/1998 Green ..... G01L 5/047  
250/227.16

\* cited by examiner

*Primary Examiner* — Antoine D Davis

(74) *Attorney, Agent, or Firm* — Kelly & Kelley, LLP

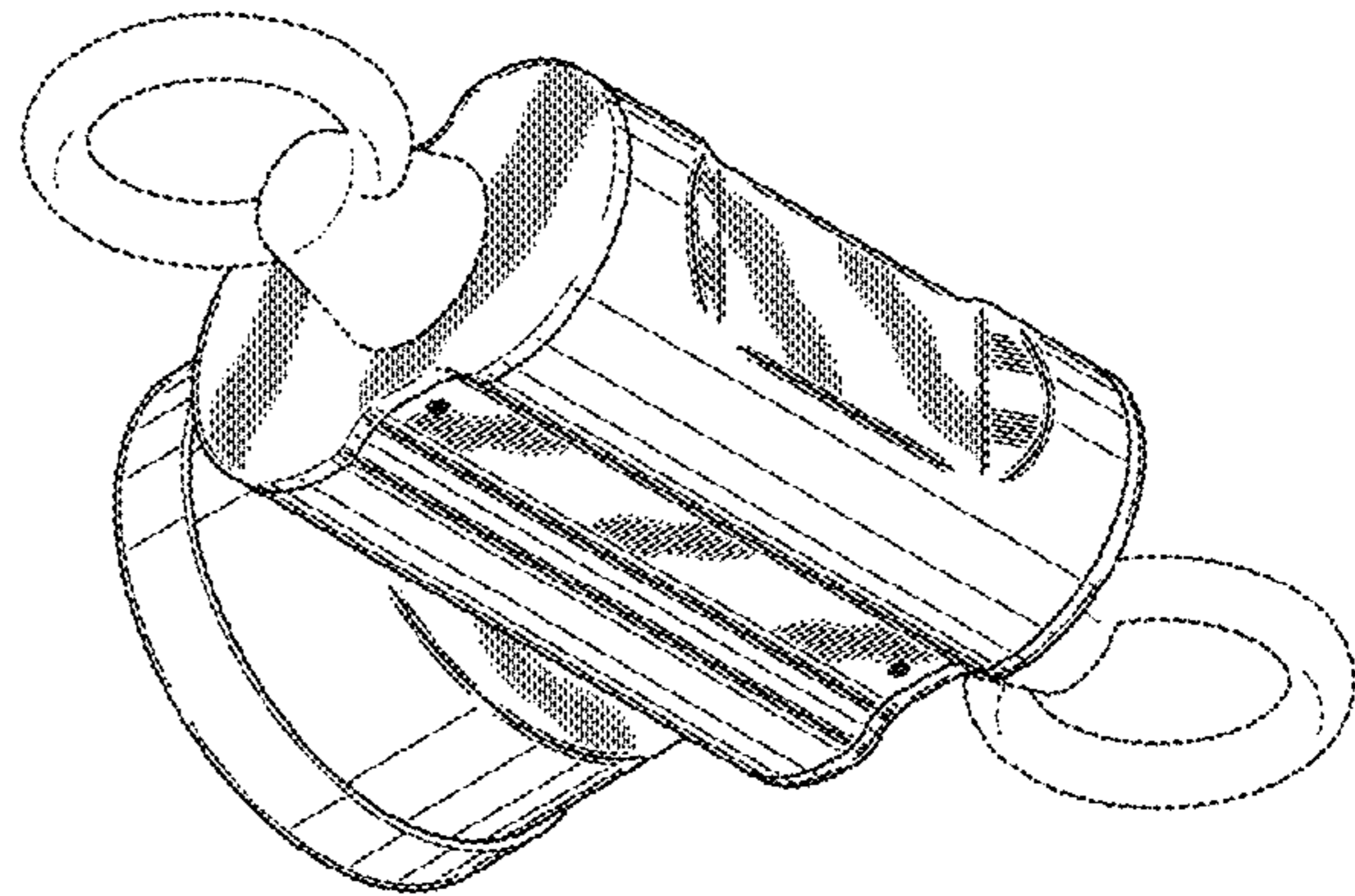
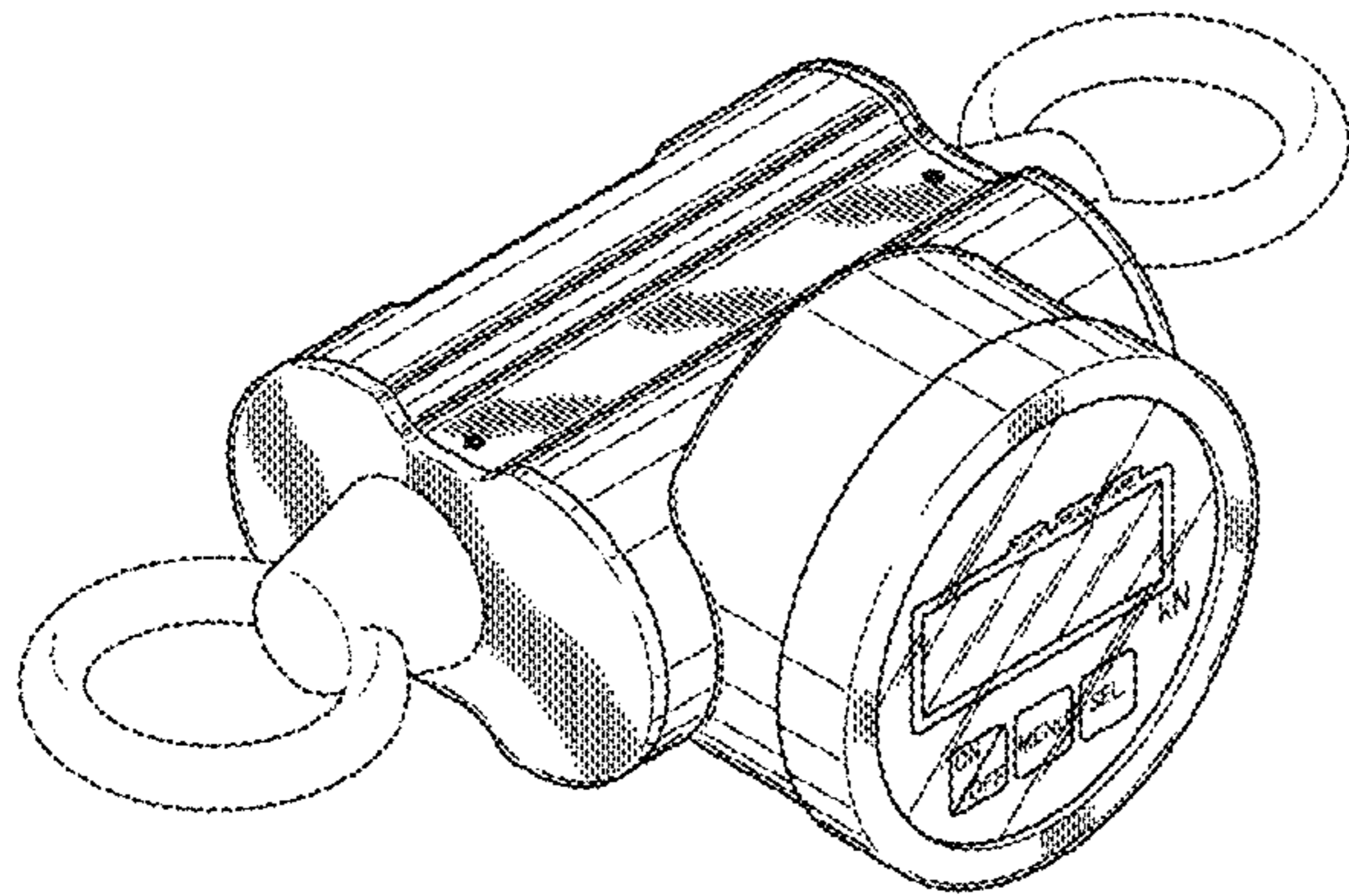
(57) **CLAIM**

The ornamental design for a tension meter, as shown and described.

**DESCRIPTION**

FIG. 1 is a front elevational view of a tension meter embodying our new design;  
FIG. 2 is a rear elevational view thereof;  
FIG. 3 is a right side elevational view thereof, the left side elevational view being a mirror image;  
FIG. 4 is a top plan view thereof, the bottom plan view being a mirror image;  
FIG. 5 is a front, left side and top perspective view thereof;  
FIG. 6 is a rear, right side and bottom perspective view thereof; and,  
FIG. 7 is a front elevational view like FIG. 1, showing a transparent part.  
The end pieces shown in dotted lines are provided for understanding of the design and form no part of the claimed design.

**1 Claim, 4 Drawing Sheets**



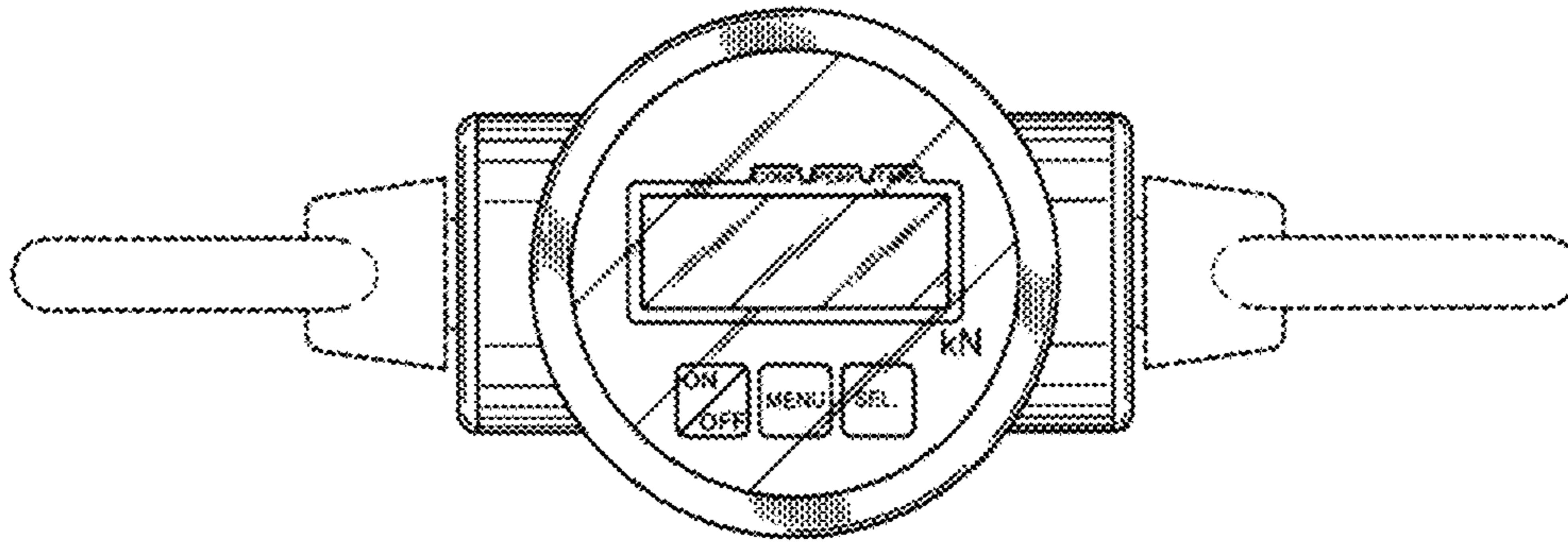


FIG. 1

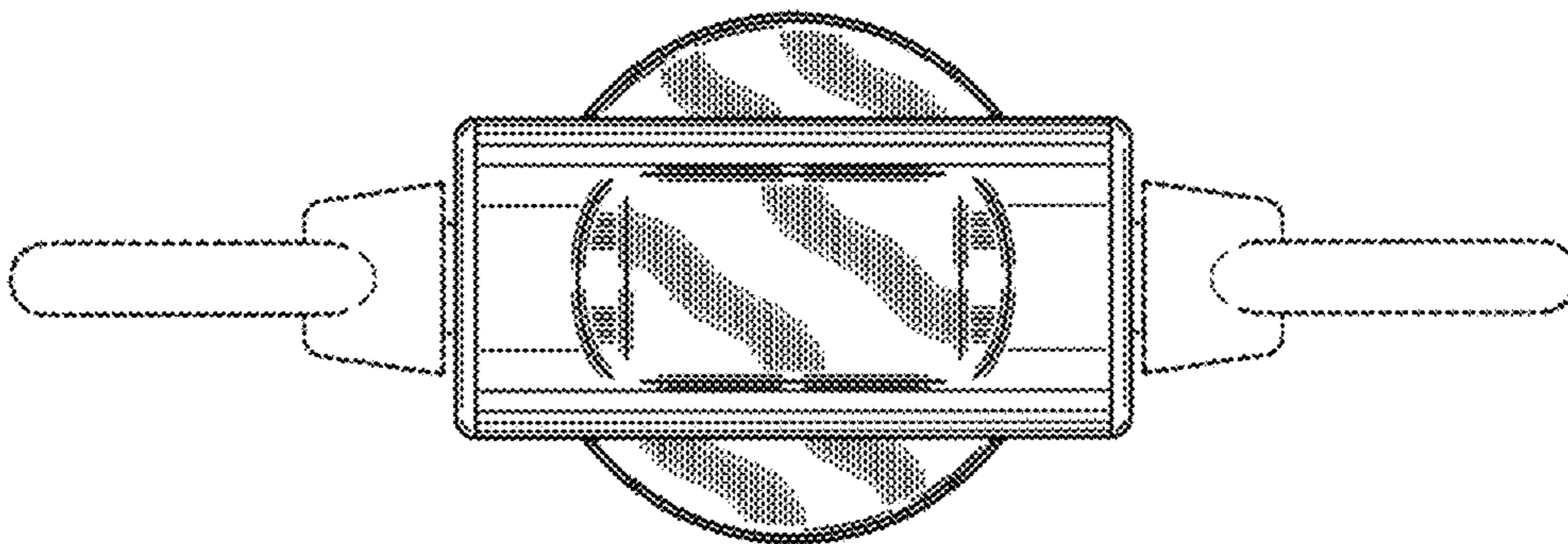


FIG. 2

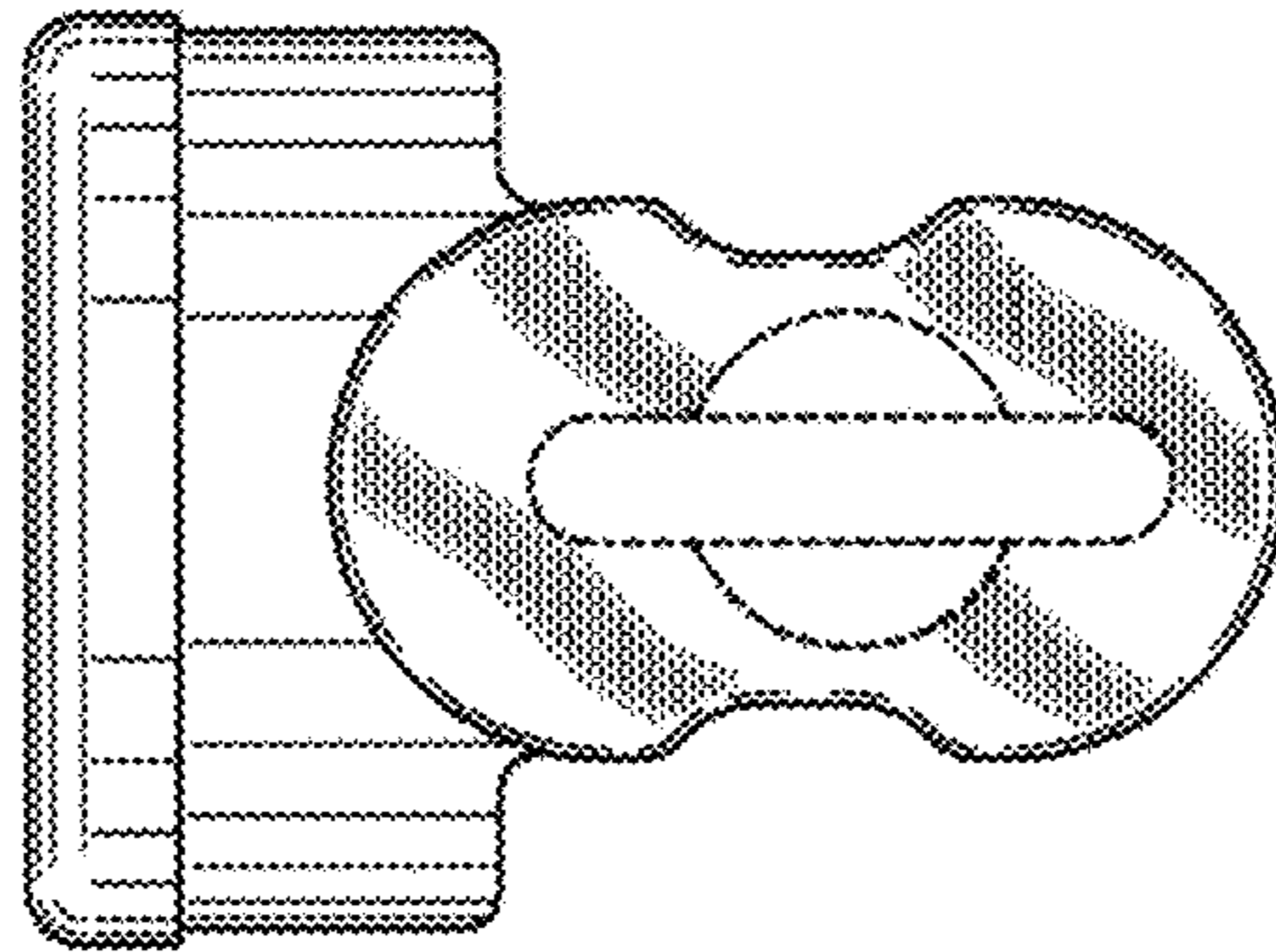


FIG. 3

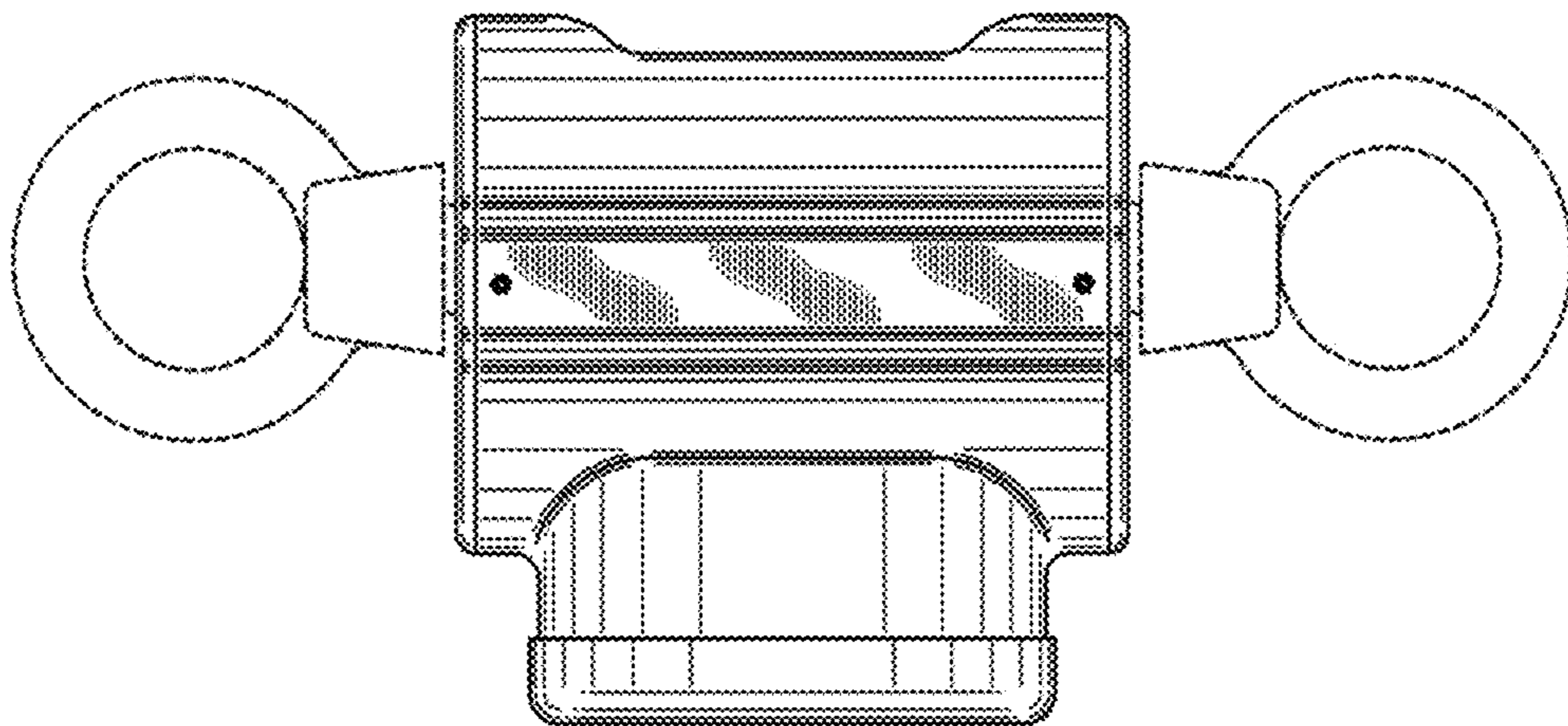


FIG. 4

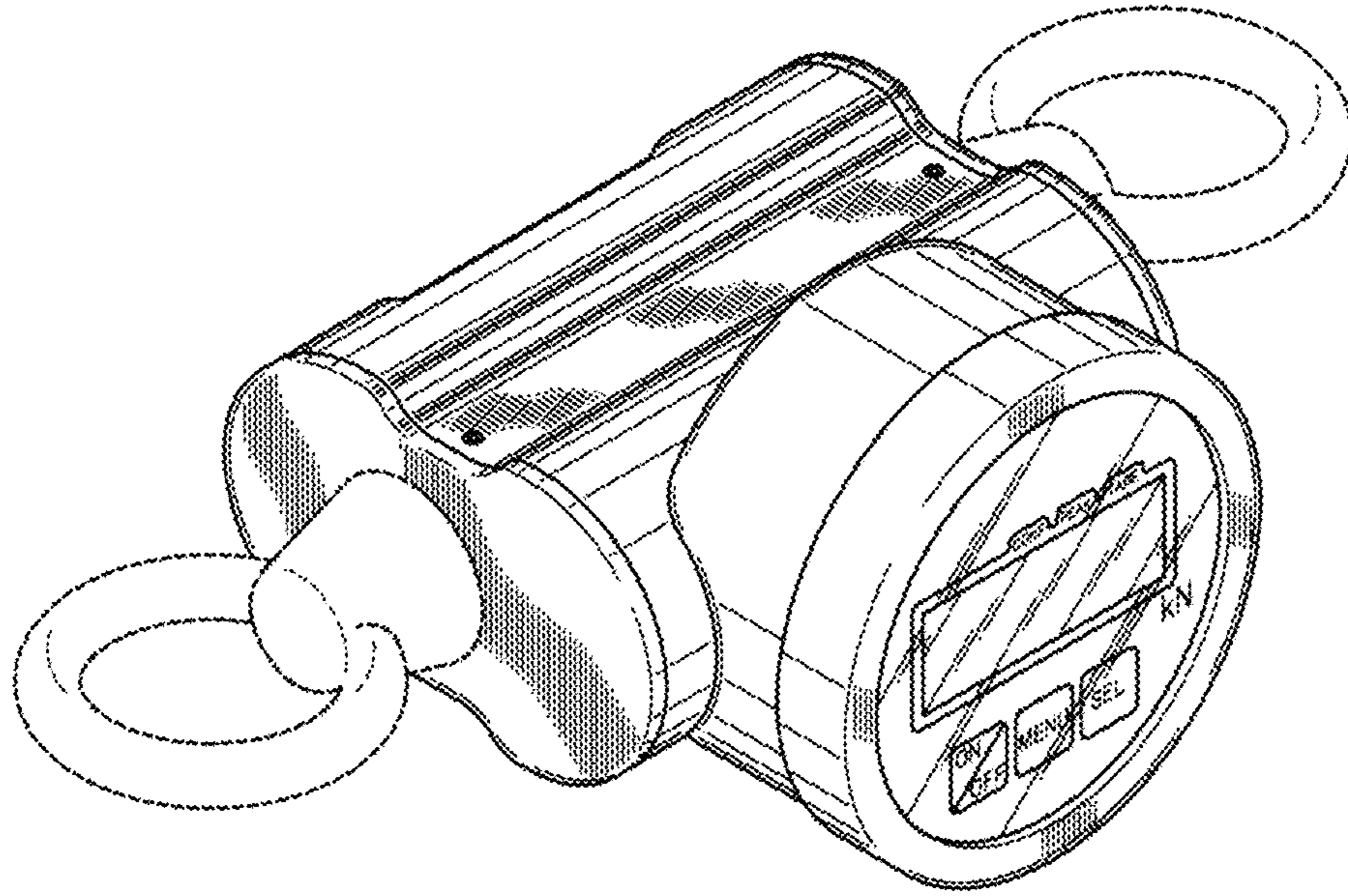


FIG. 5

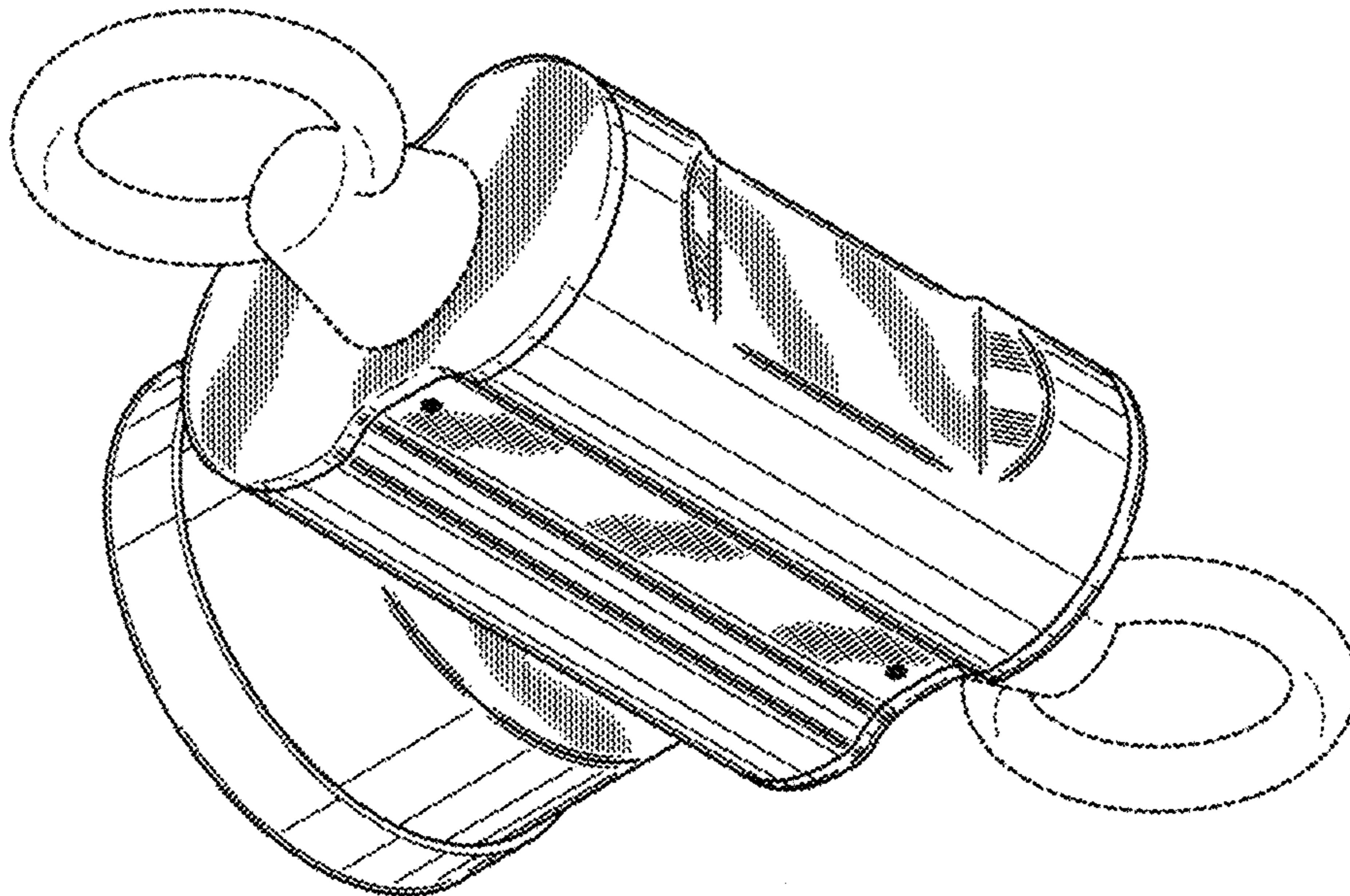


FIG. 6

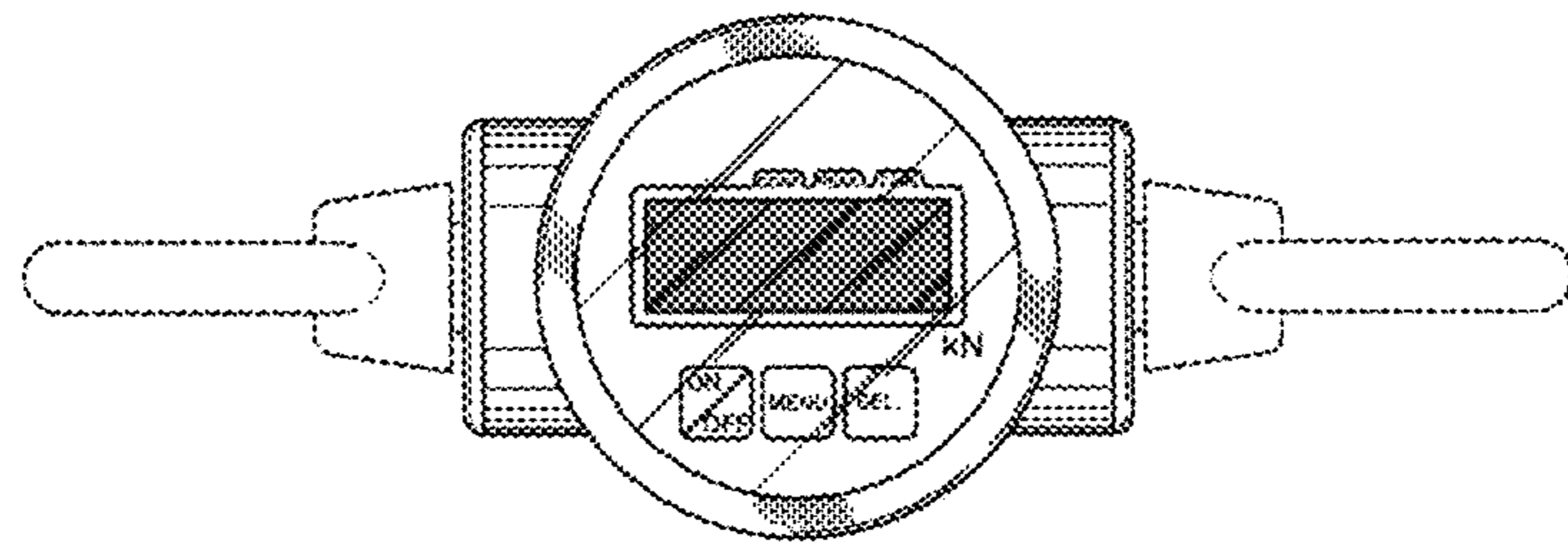


FIG. 7