



US00D799349S

(12) **United States Design Patent**  
**Mathier et al.**

(10) **Patent No.:** **US D799,349 S**

(45) **Date of Patent:** **\*\* Oct. 10, 2017**

(54) **LENGTH MEASURING INSTRUMENT**

(71) Applicant: **TESA SA**, Renens (CH)

(72) Inventors: **Anna Mathier**, Rolle (CH);  
**Alessandro Nardulli**, Bevaix (CH)

(\*\*) Term: **15 Years**

(21) Appl. No.: **35/501,237**

(22) Filed: **Jan. 18, 2016**

(80) **Hague Agreement Data**

Int. Filing Date: **Jan. 18, 2016**

Int. Reg. No.: **DM/089520**

Int. Reg. Date: **Jan. 18, 2016**

Int. Reg. Pub. Date: **Jul. 22, 2016**

(51) **LOC (10) Cl.** ..... **10-04**

(52) **U.S. Cl.**  
USPC ..... **D10/70**

(58) **Field of Classification Search**  
USPC ..... D10/57, 78, 70, 49, 103  
CPC ..... G01B 5/00  
See application file for complete search history.

(56) **References Cited**

U.S. PATENT DOCUMENTS

D446,135 S \* 8/2001 Chen ..... D10/57  
D502,416 S \* 3/2005 Chen ..... D10/78

D510,045 S \* 9/2005 Lipscomb ..... D10/78  
D588,482 S \* 3/2009 Kim ..... D10/78  
D594,360 S \* 6/2009 Aglassinger ..... D10/70  
D636,282 S \* 4/2011 Yin ..... D10/70  
D673,062 S \* 12/2012 Marzynski ..... D10/70  
D679,204 S \* 4/2013 Breuer ..... D10/49  
D693,716 S \* 11/2013 Matuschek ..... D10/103

\* cited by examiner

*Primary Examiner* — George D Kirschbaum

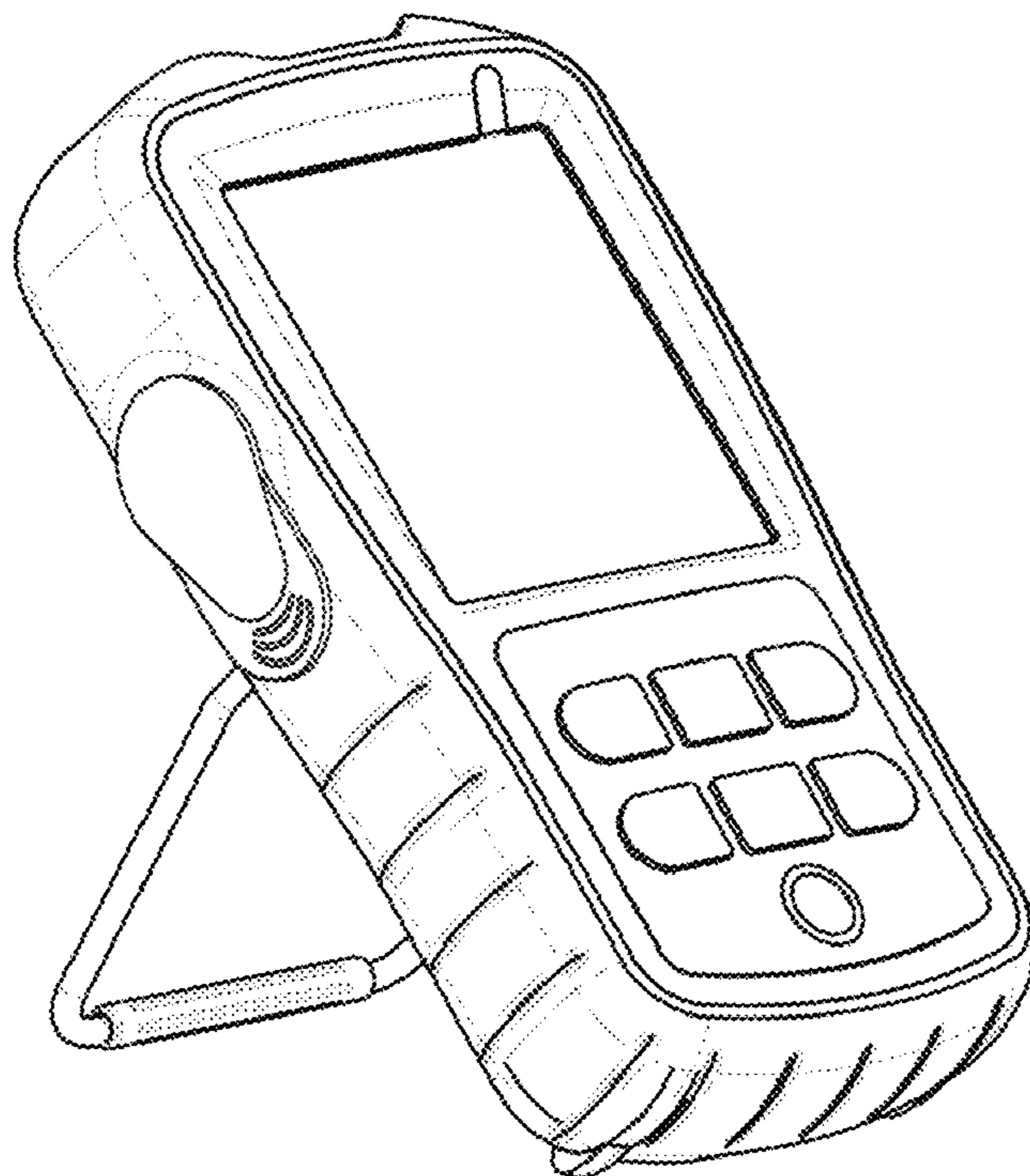
(57) **CLAIM**

The ornamental design for a length measuring instrument, as shown and described.

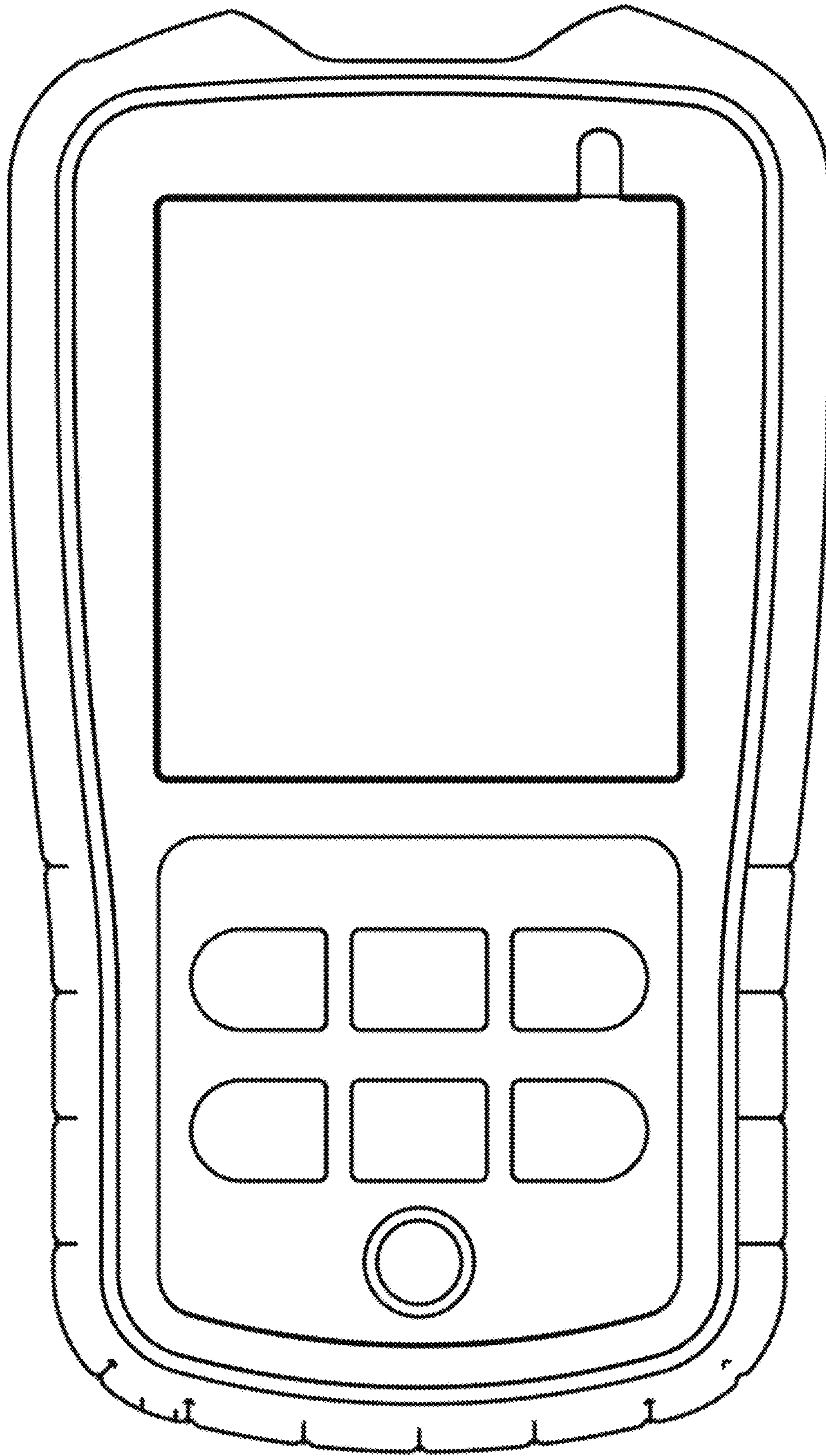
**DESCRIPTION**

- 1. Length measuring instrument
- 1.1 : Front
- 1.2 : Back
- 1.3 : Right
- 1.4 : Left
- 1.5 : Top
- 1.6 : Bottom
- 1.7 : Perspective

**1 Claim, 7 Drawing Sheets**

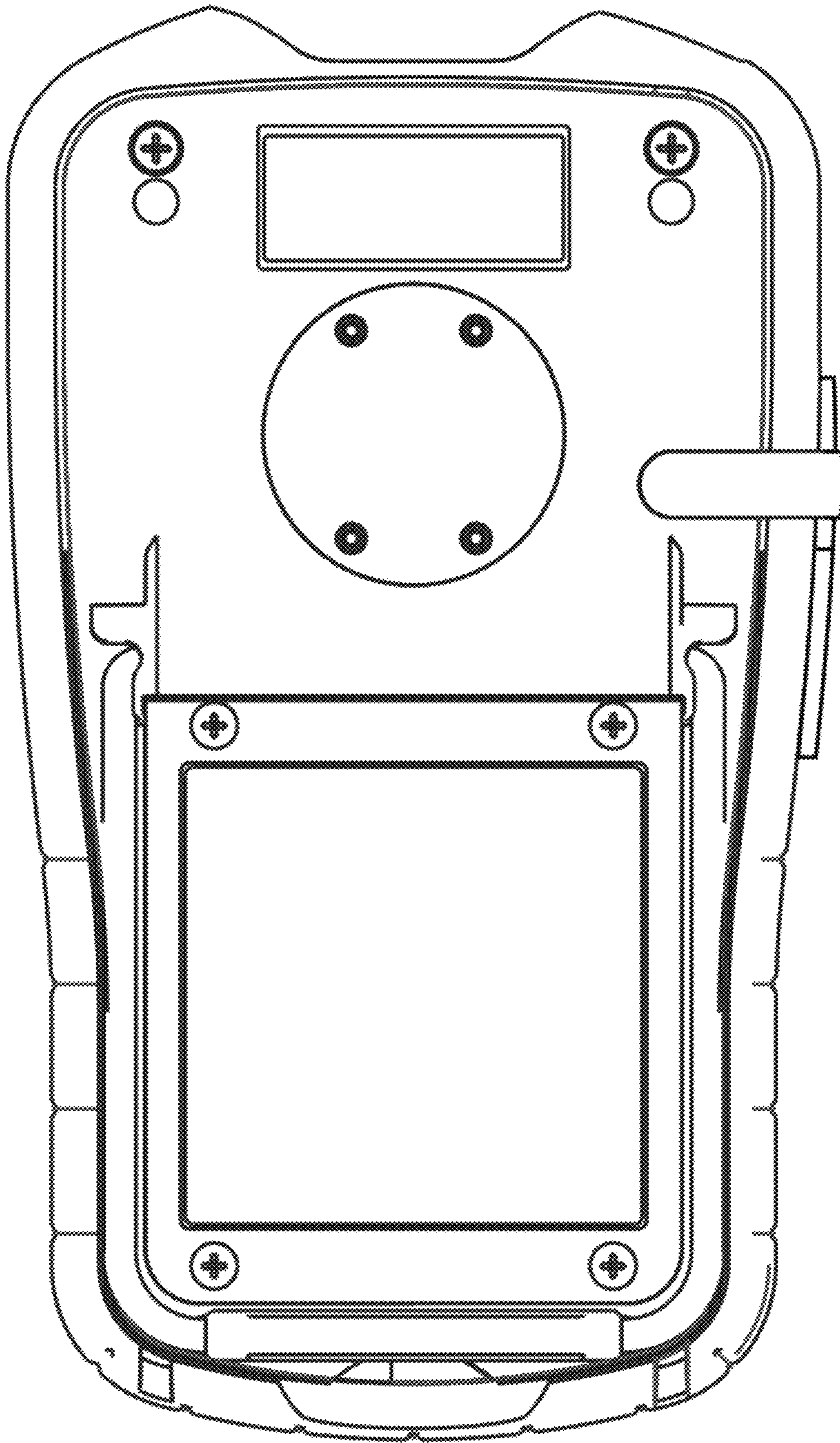


1.1

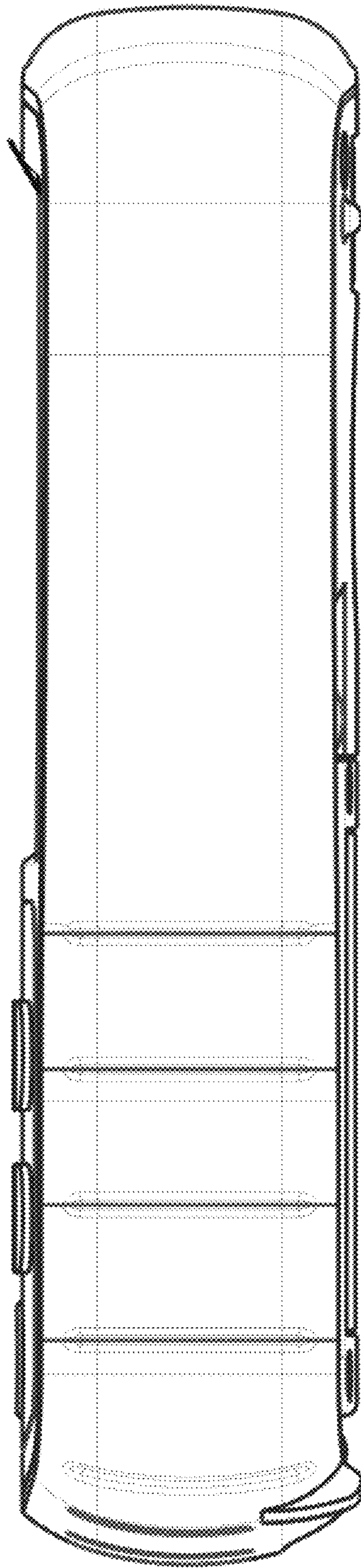




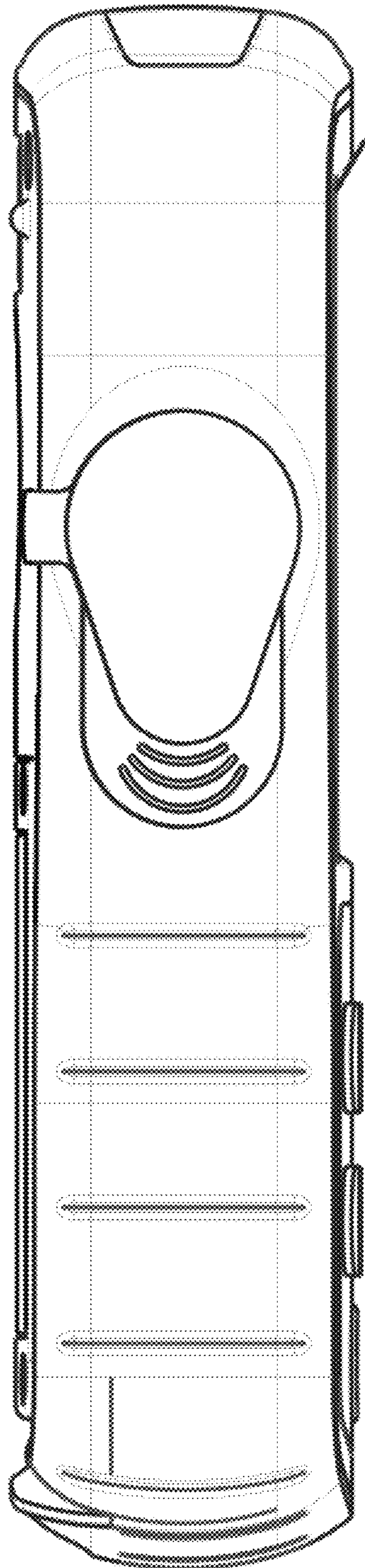
1.2



1.3

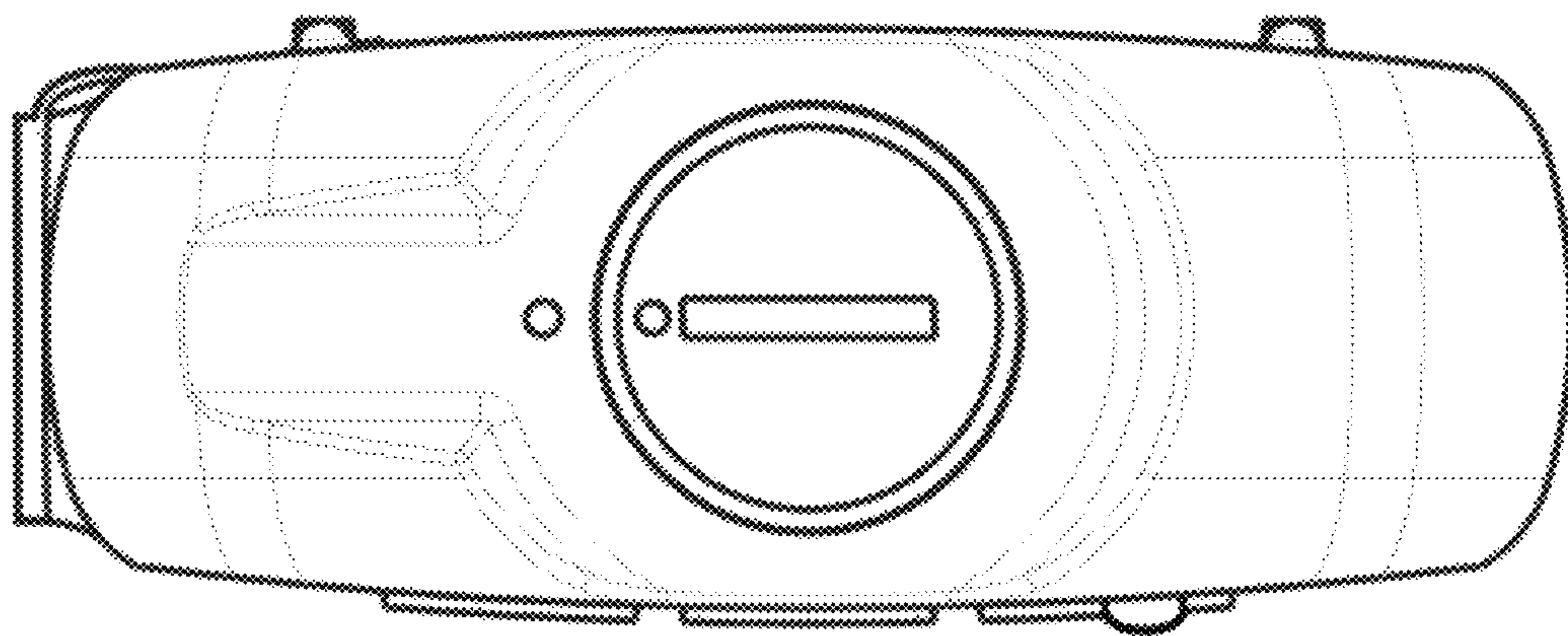


1.4

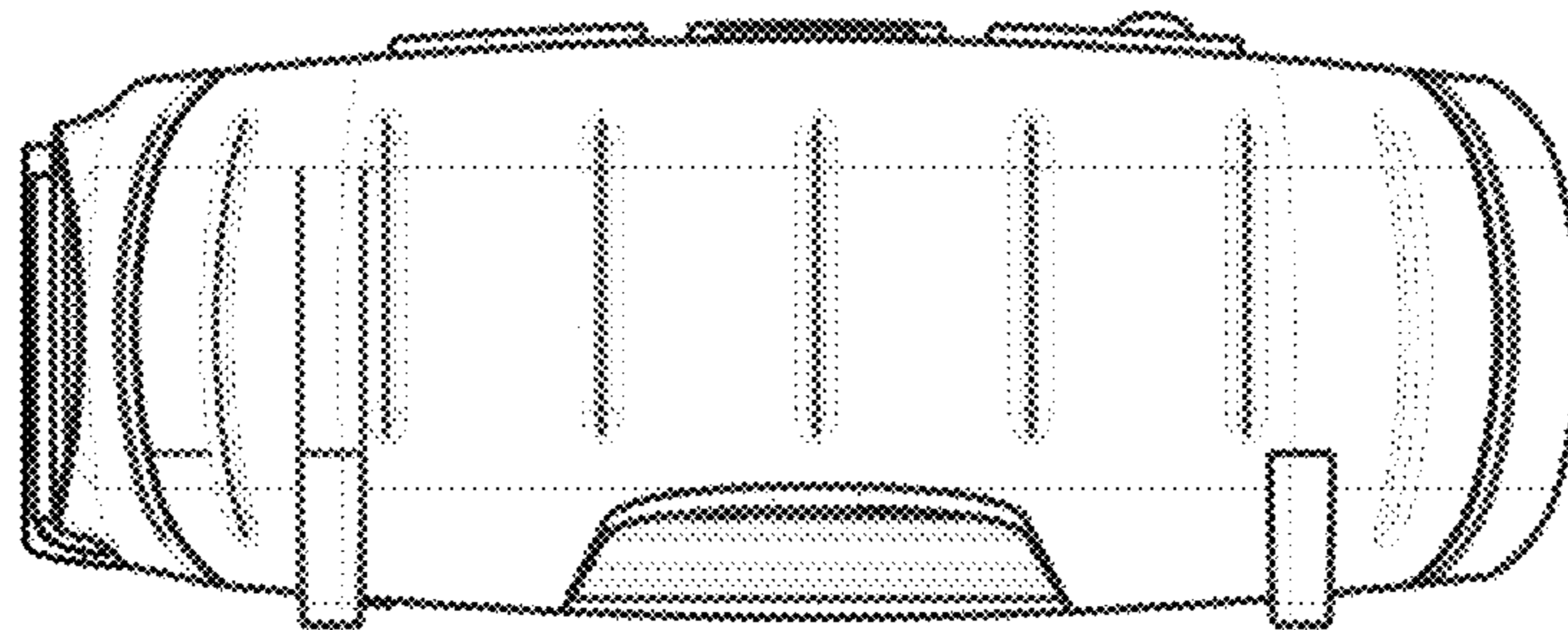




1.5



1.6



1.7

