



US00D799345S

(12) **United States Design Patent**  
**Iwata et al.**

(10) **Patent No.:** **US D799,345 S**  
(45) **Date of Patent:** **\*\* Oct. 10, 2017**

(54) **RESIDUAL STRESS MEASURING DEVICE**

(71) Applicant: **Sintokogio, Ltd.**, Nagoya-shi, Aichi (JP)

(72) Inventors: **Kyoichi Iwata**, Toyokawa (JP); **Takuya Koyama**, Toyokawa (JP)

(73) Assignee: **Sintokogio, Ltd.** (JP)

(\*\*) Term: **15 Years**

(21) Appl. No.: **29/568,267**

(22) Filed: **Jun. 16, 2016**

(30) **Foreign Application Priority Data**

Dec. 22, 2015 (JP) ..... 2015-028445

(51) **LOC (10) Cl.** ..... **10-04**

(52) **U.S. Cl.**  
USPC ..... **D10/46; D10/83**

(58) **Field of Classification Search**

USPC ..... D10/46, 47, 49, 50, 52, 53, 56, 61, 63,  
D10/65, 70, 71, 78, 81, 82, 83, 90, 95,  
D10/102, 106.6, 106.8, 106.9, 114.3, 118,  
D10/118.2; D14/125, 218, 341-348,  
D14/480.1, 507-510; D32/24

CPC ..... G01N 3/00  
See application file for complete search history.

(56) **References Cited**

**U.S. PATENT DOCUMENTS**

2,950,620 A \* 8/1960 Magill ..... G01M 3/2853  
73/49.5  
D273,039 S \* 3/1984 Behrens ..... D10/46

D277,835 S \* 3/1985 Nonnast ..... D10/81  
D307,284 S \* 4/1990 Del Corno ..... D10/47  
D328,257 S \* 7/1992 Ormand ..... D10/46  
D392,300 S \* 3/1998 Chow ..... D16/203  
D648,742 S \* 11/2011 Ward ..... D14/496  
D707,900 S \* 6/2014 Ediger ..... D32/17  
D718,643 S \* 12/2014 Joung ..... D10/47  
D768,225 S \* 10/2016 Hirose ..... D16/219  
D769,211 S \* 10/2016 Schnell ..... D14/204

\* cited by examiner

*Primary Examiner* — Melanie H Tung

*Assistant Examiner* — Fritzgerald Butac

(74) *Attorney, Agent, or Firm* — Saidman Designlaw Group, LLC

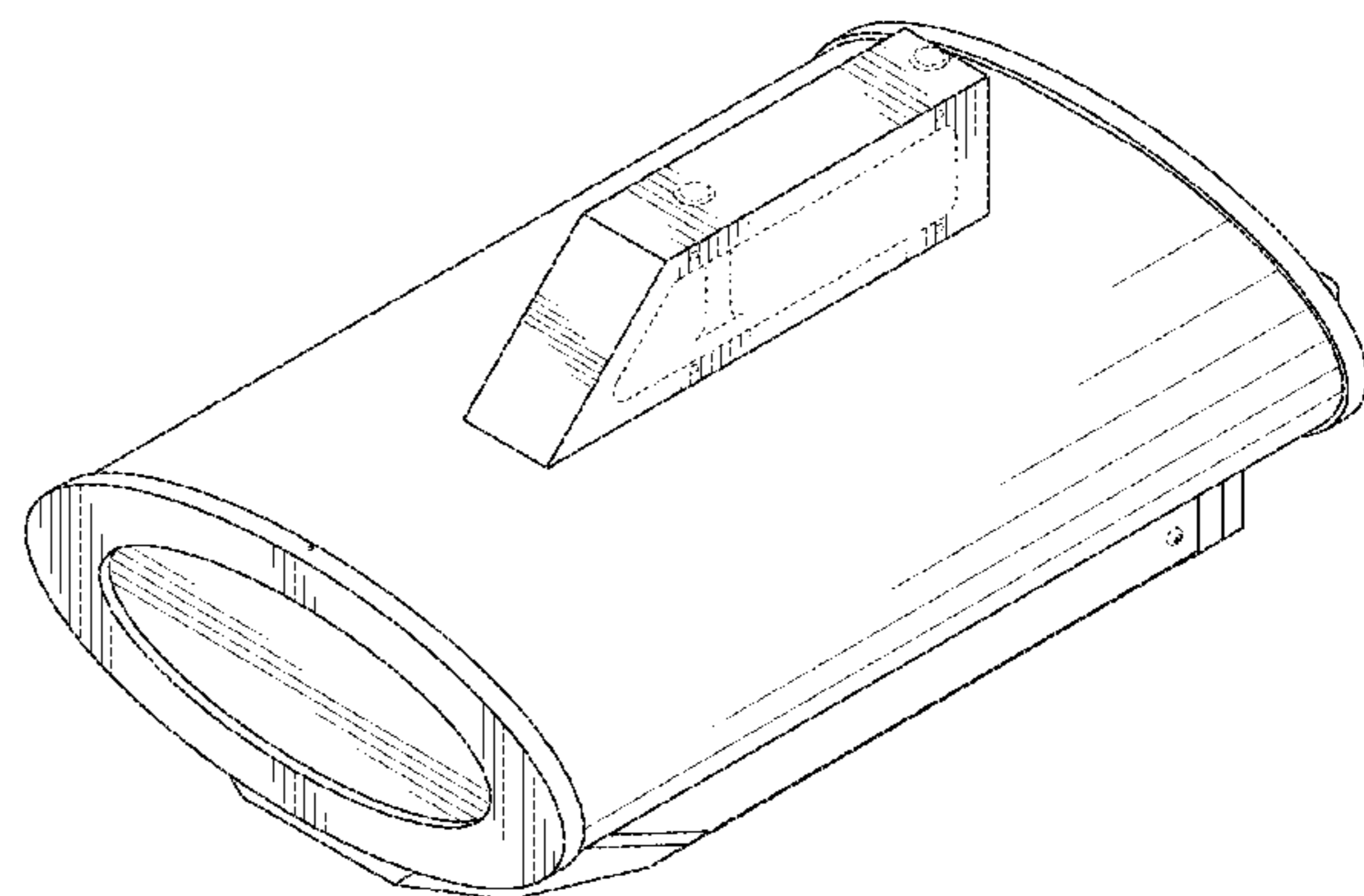
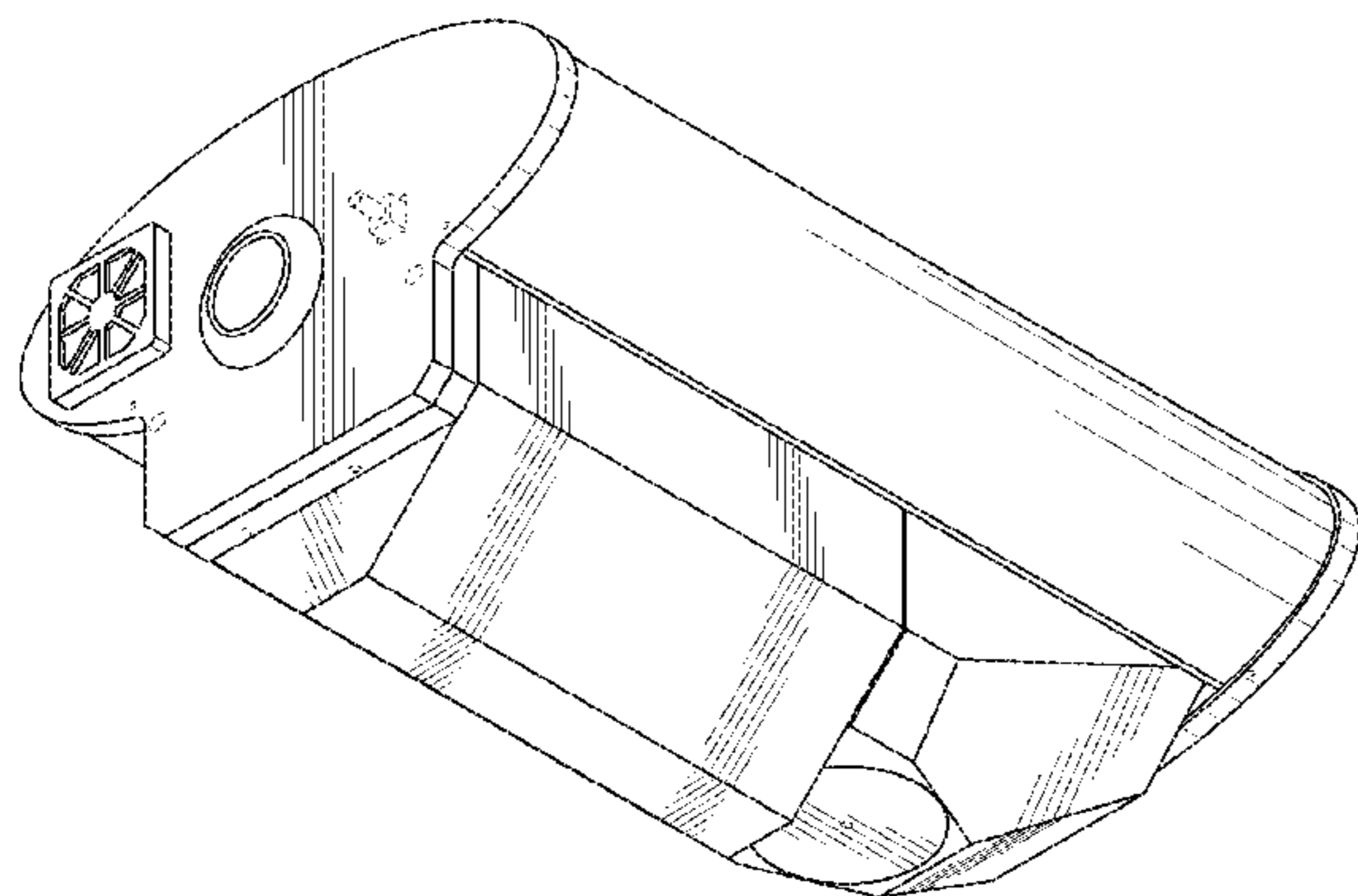
(57) **CLAIM**

The ornamental design for a residual stress measuring device, as shown and described.

**DESCRIPTION**

FIG. 1 is a front elevational view of a residual stress measuring device showing our new design;  
FIG. 2 is a rear elevational view thereof;  
FIG. 3 is a left side elevational view thereof;  
FIG. 4 is a right side elevational view thereof;  
FIG. 5 is a top plan view thereof;  
FIG. 6 is a bottom plan view thereof;  
FIG. 7 is a front, bottom, left side perspective view thereof;  
and,  
FIG. 8 is a rear, top, right side perspective view thereof.  
The drawings include surface shading which represents contour and not surface ornamentation.  
The broken lines show portions of a residual stress measuring device that form no part of the claimed design.

**1 Claim, 4 Drawing Sheets**



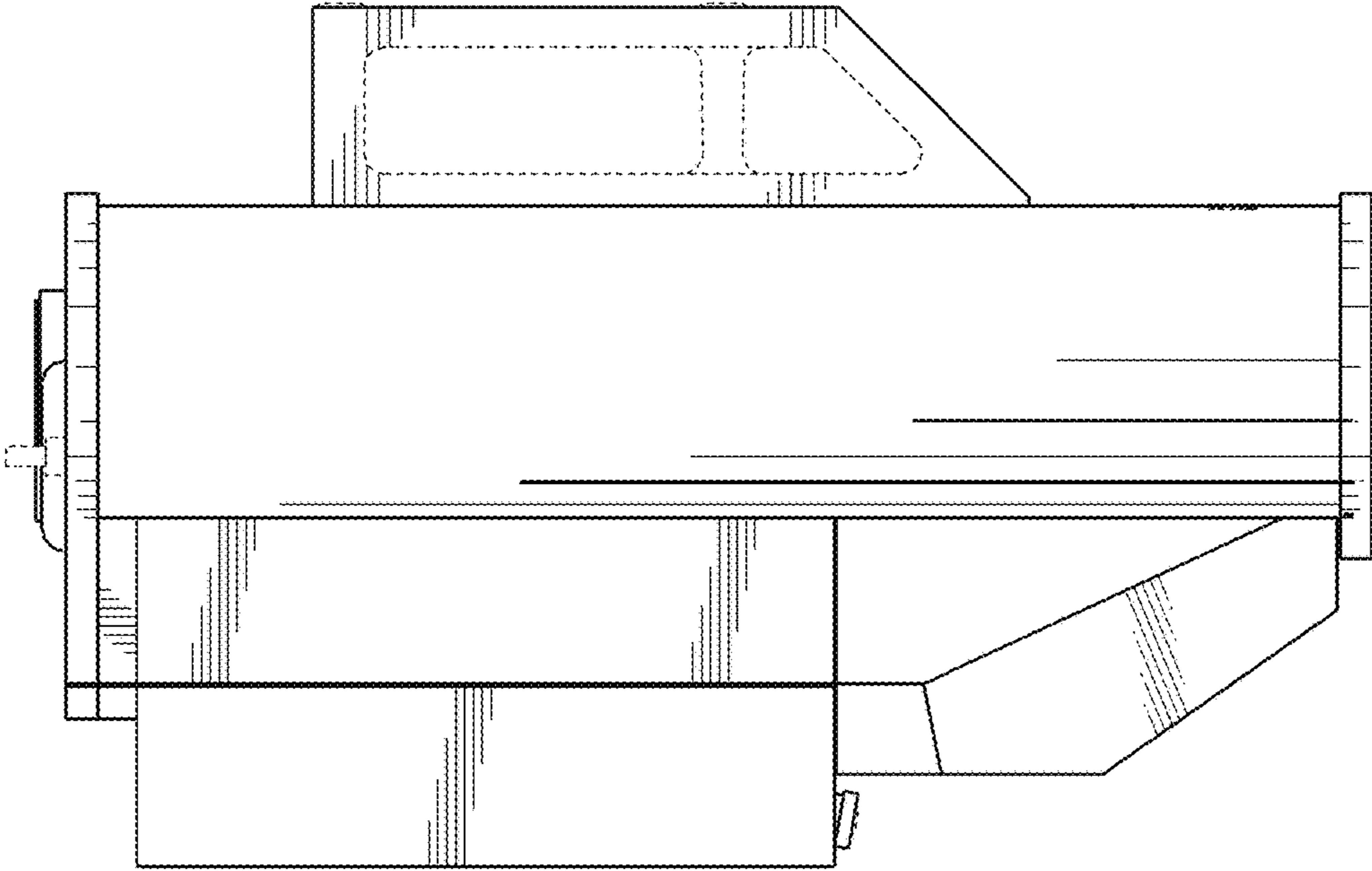


FIG. 1

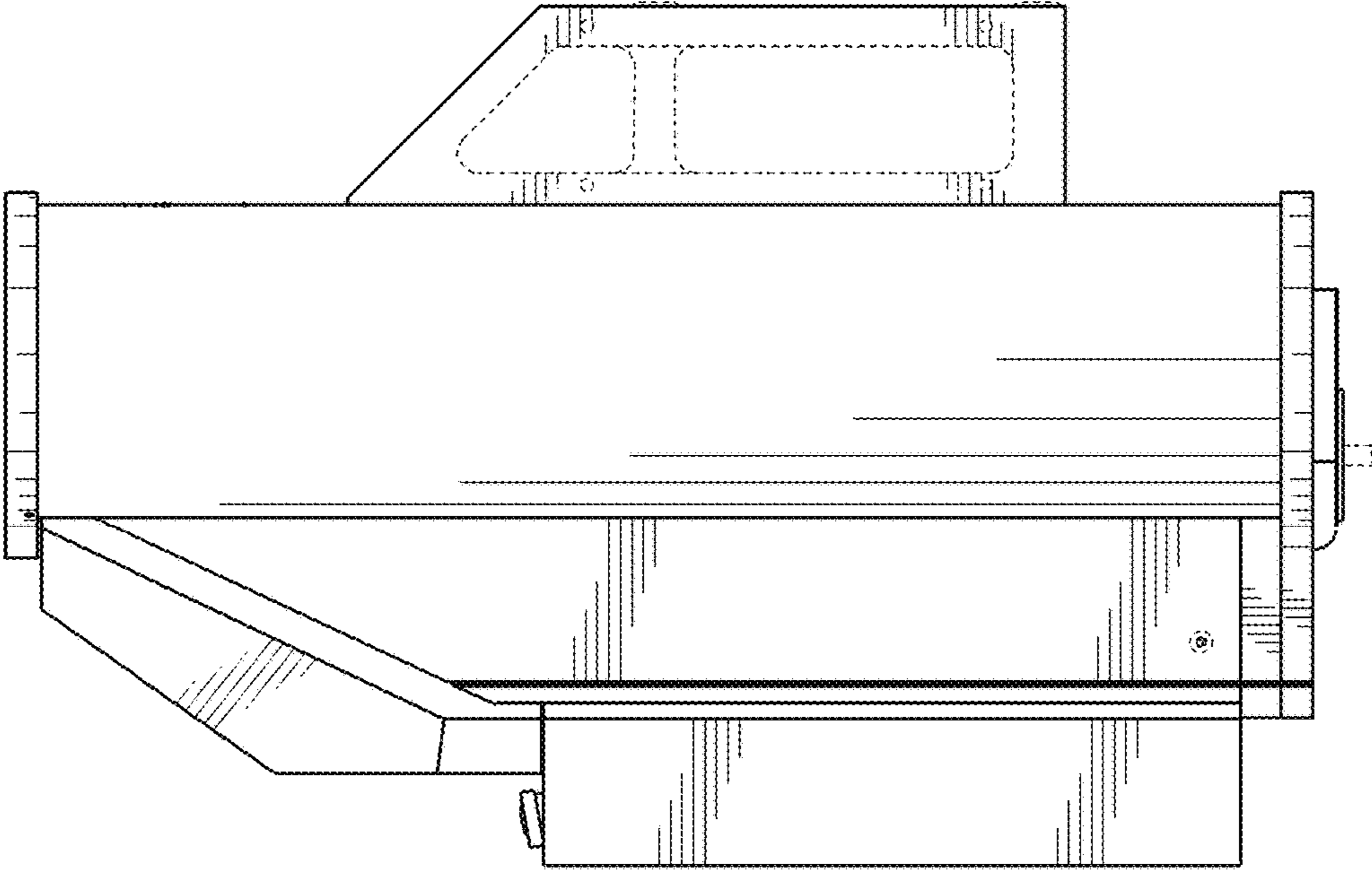


FIG. 2

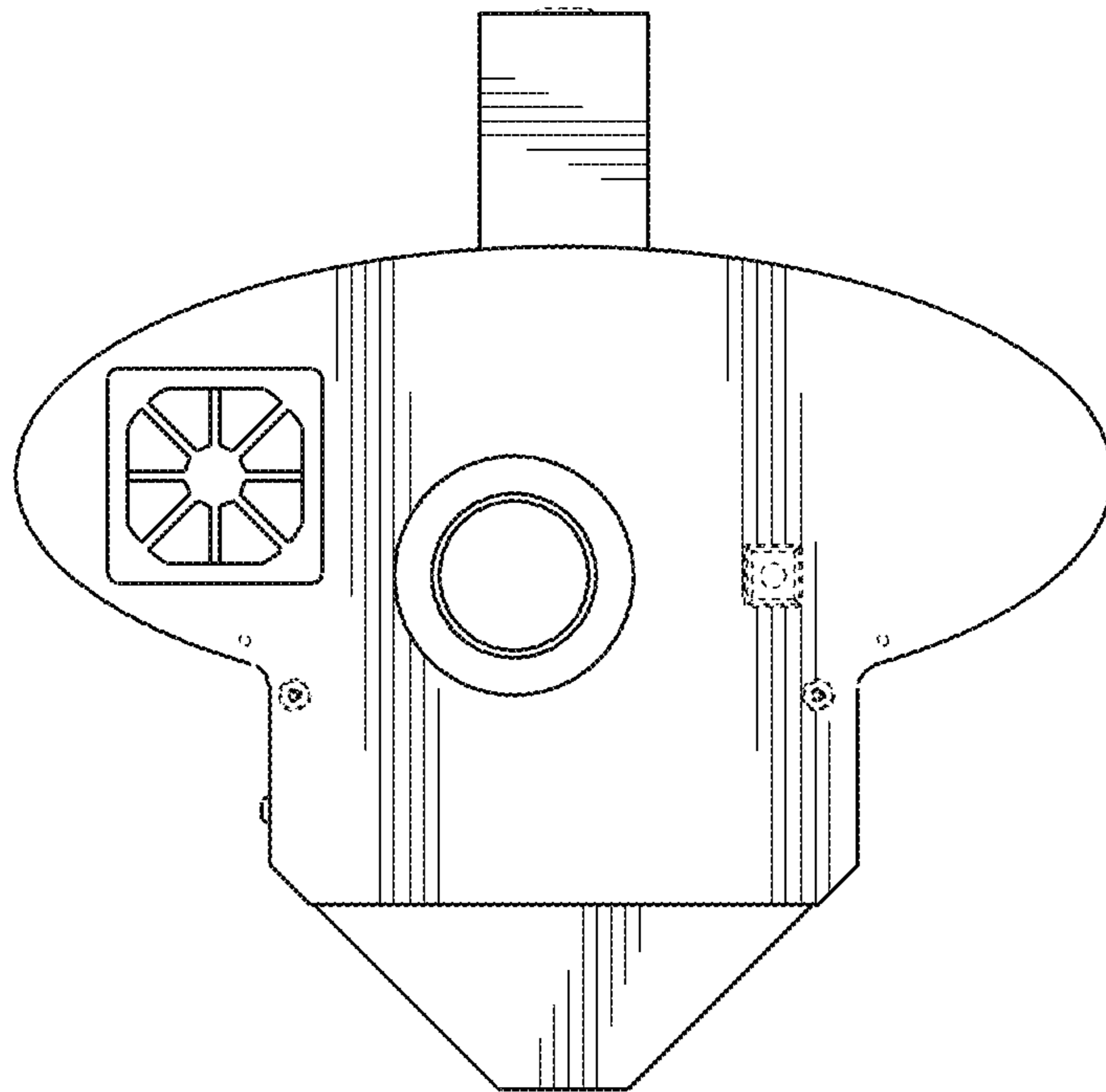


FIG. 3

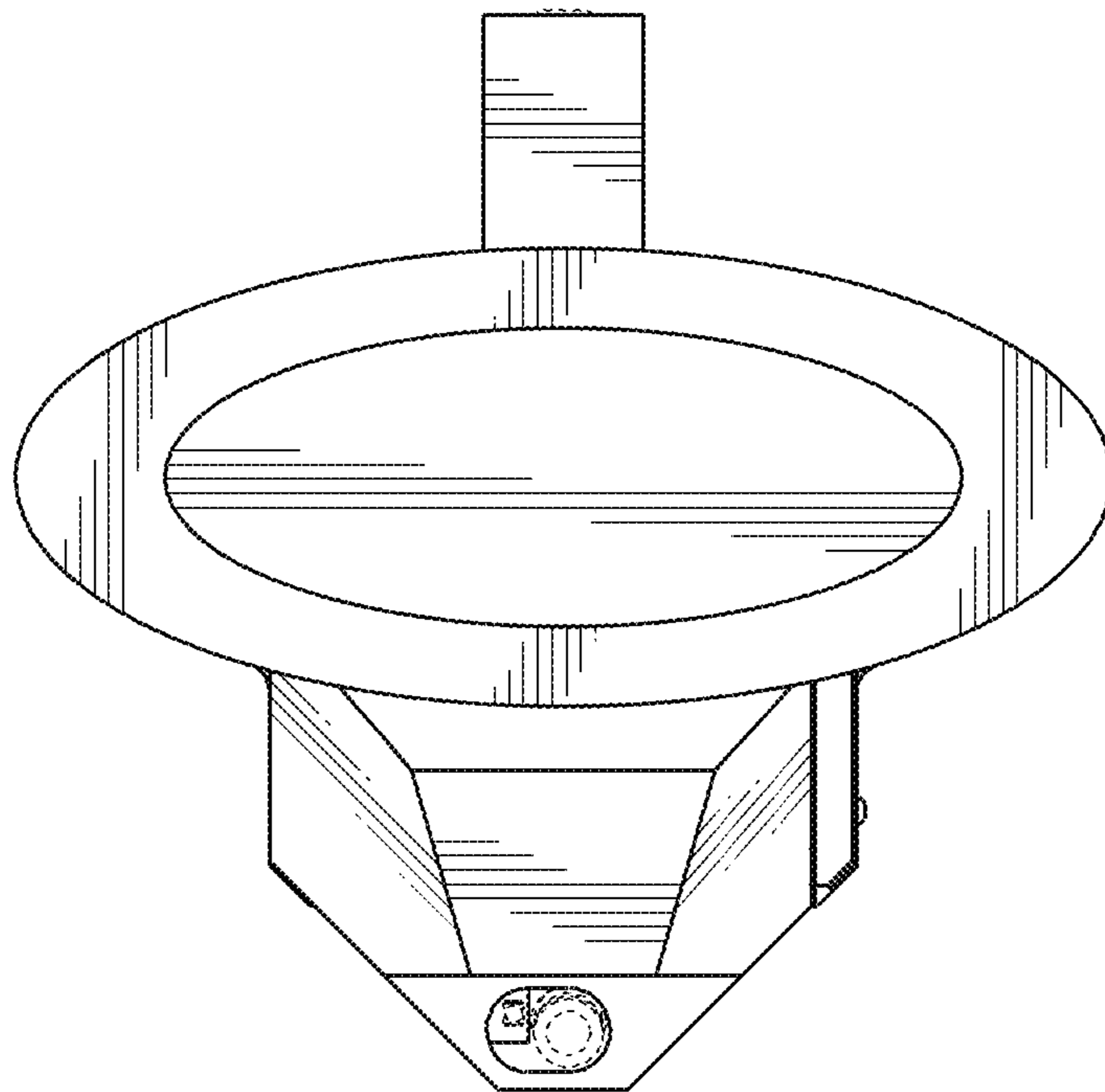


FIG. 4

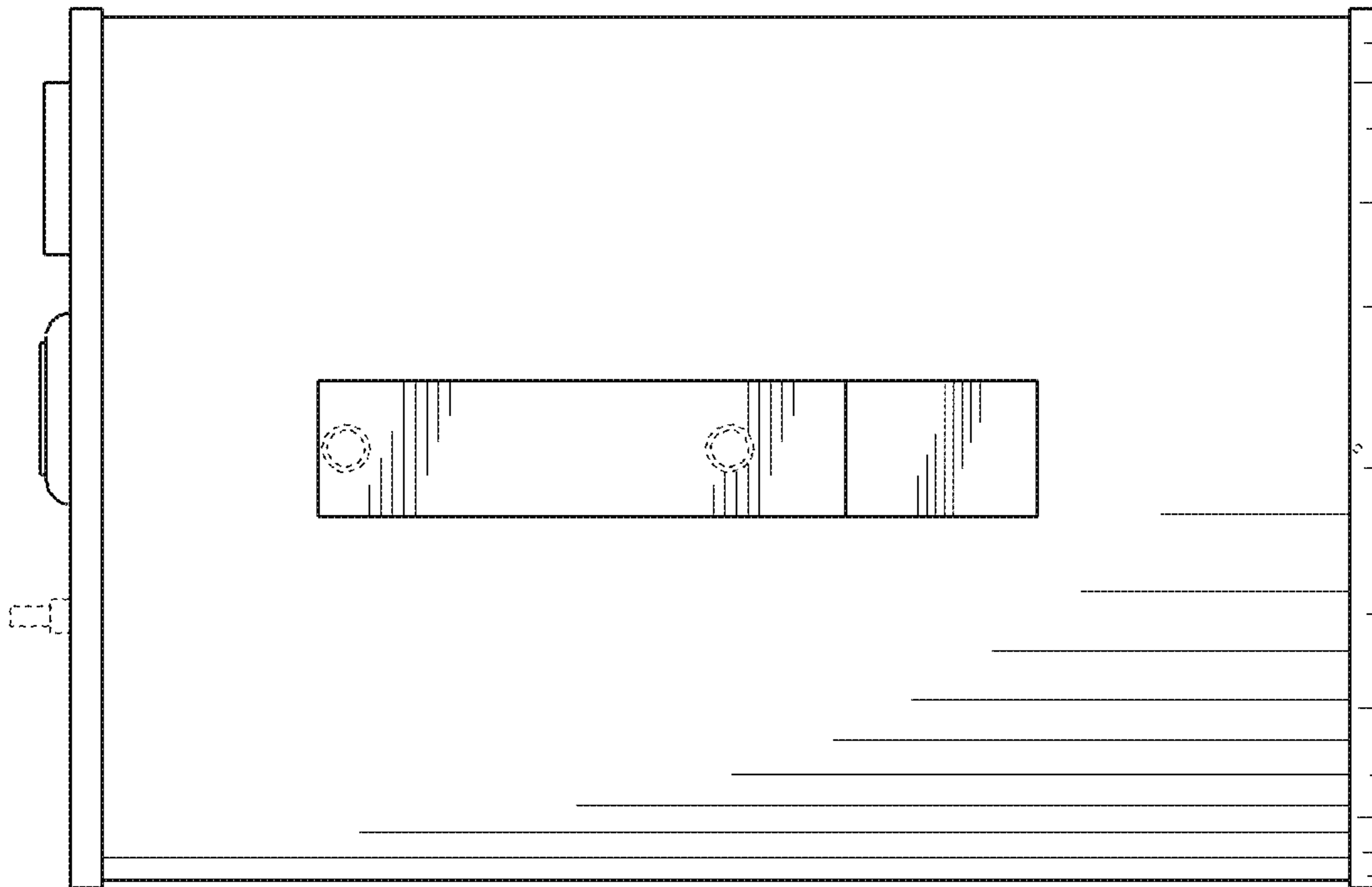


FIG. 5

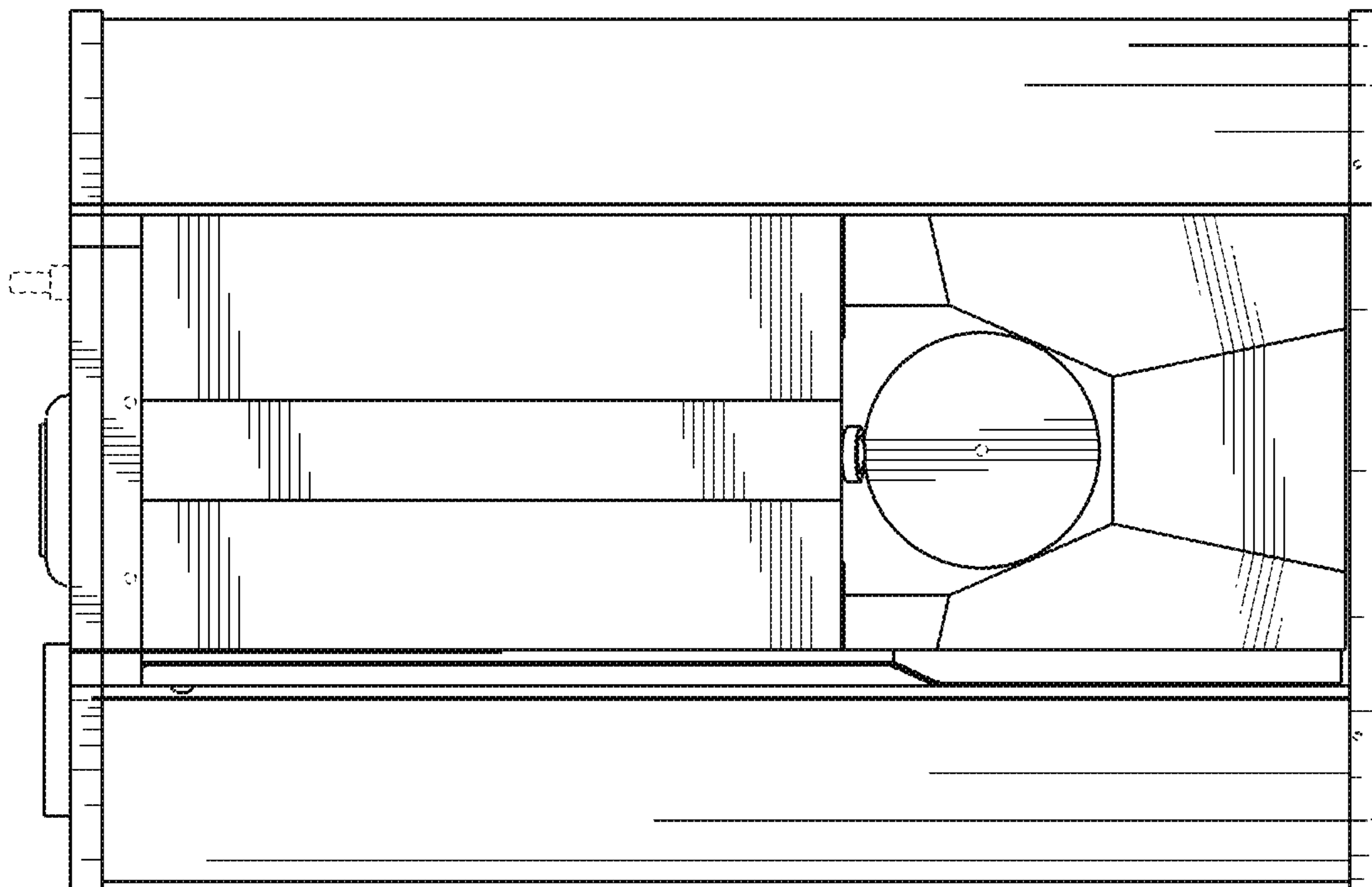


FIG. 6

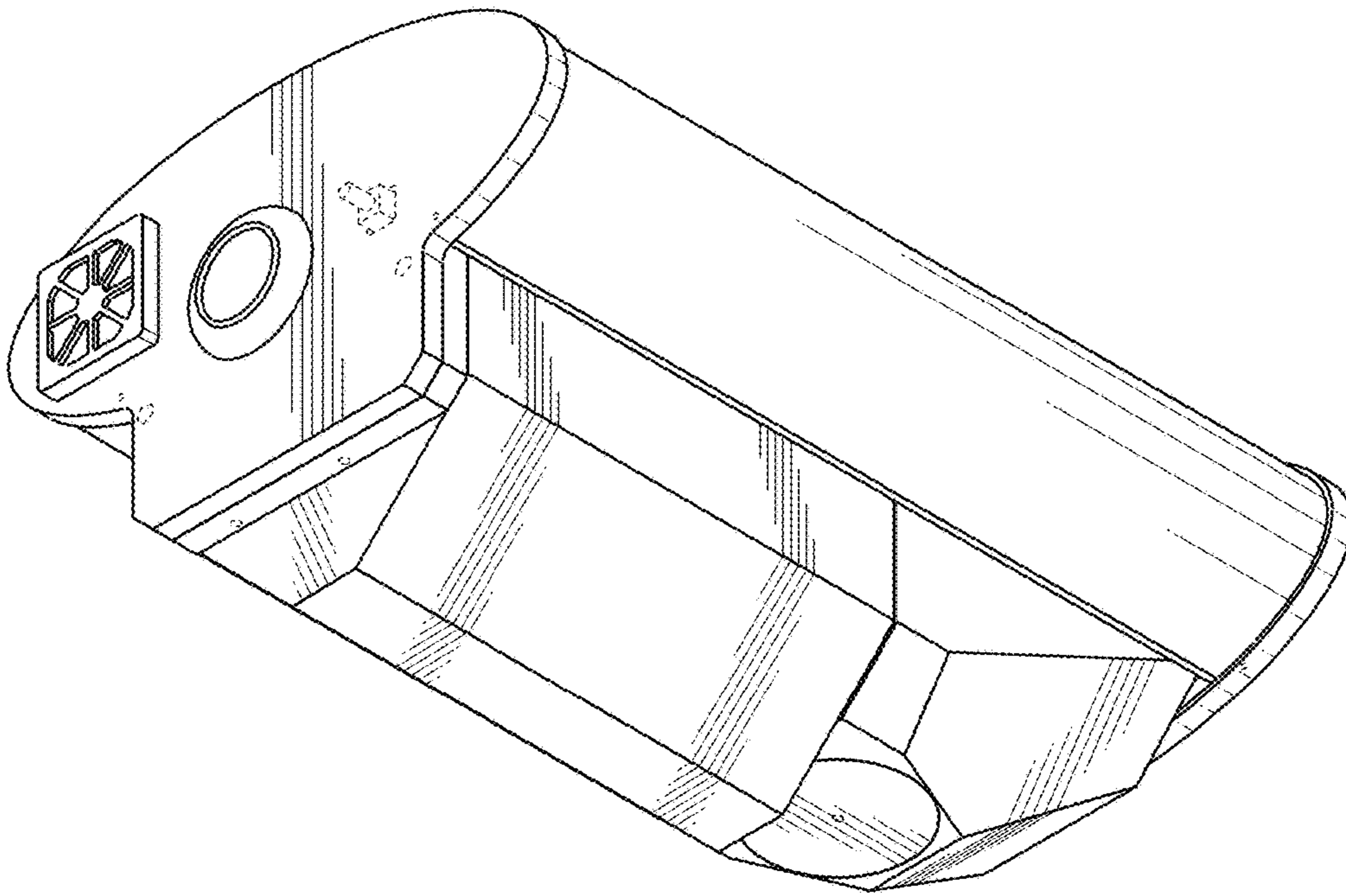


FIG. 7

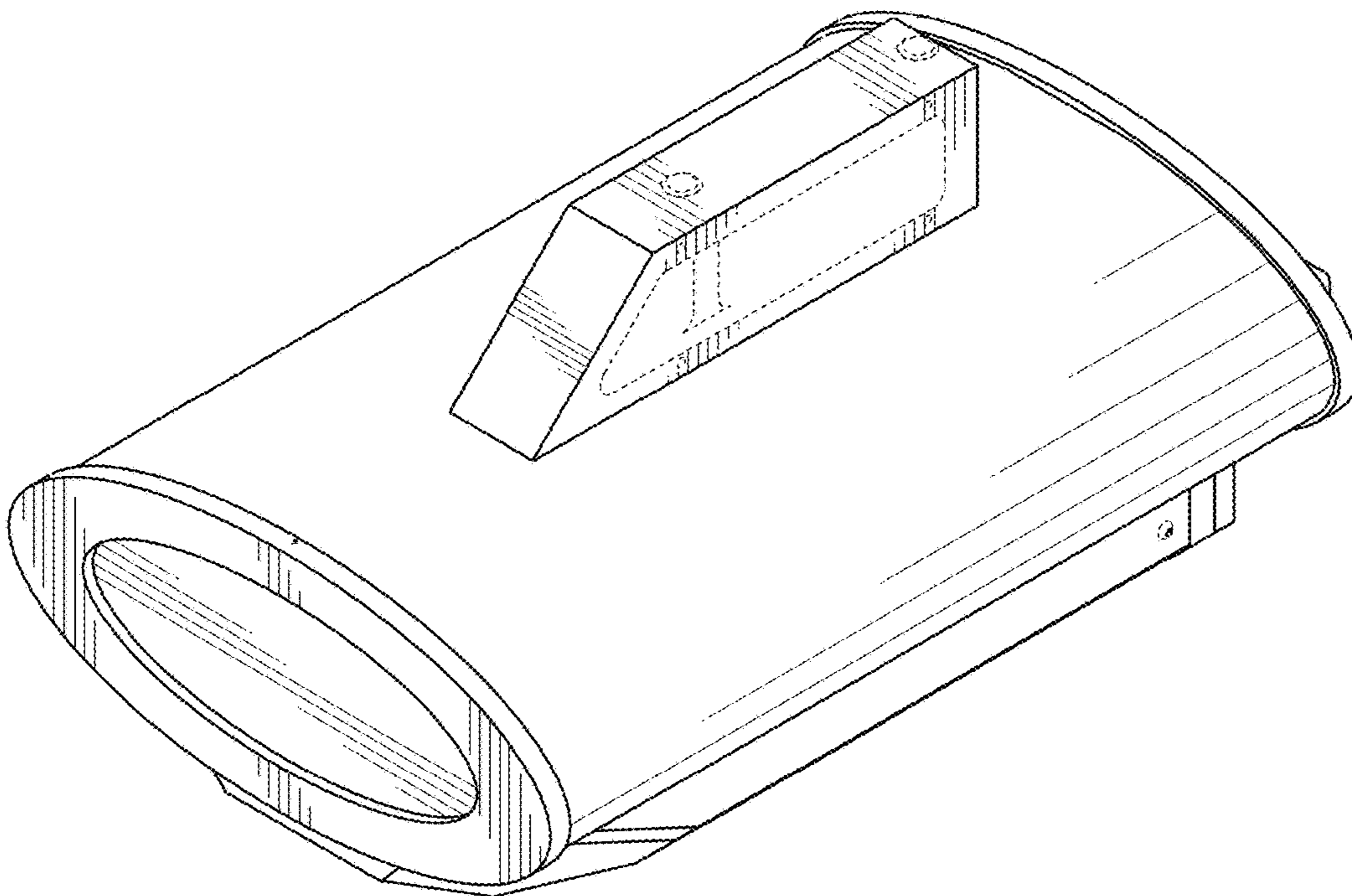


FIG. 8