



US00D799343S

(12) **United States Design Patent**
Waecker et al.

(10) **Patent No.:** **US D799,343 S**
(45) **Date of Patent:** **** Oct. 10, 2017**

(54) **WATCH CASE**
(71) Applicant: **SWATCH LTD.,** Biel/Bienne (CH)
(72) Inventors: **Raphaël Waecker,** Sonvilier (CH);
Damien Goyet, Winkel (FR); **Per**
Bolmstrand, Stockholm (SE); **Thomas**
Schaad, Stockholm (SE)
(73) Assignee: **SWATCH LTD.,** Biel/Bienne (CH)

D636,685 S * 4/2011 Avranches D10/38
D693,243 S * 11/2013 Goyet D10/38
D732,981 S * 6/2015 Waecker D10/38
D733,579 S * 7/2015 Arellano D10/38
D733,581 S * 7/2015 Waecker D10/38
D740,695 S * 10/2015 Waecker D10/38
D758,887 S * 6/2016 Sasaki D10/128
D759,507 S * 6/2016 Bonadei D10/128
D760,606 S * 7/2016 Bonadei D10/128
D764,319 S * 8/2016 Bonadei D10/128
2015/0124574 A1 * 5/2015 Gracia G04B 37/0008
368/283
2016/0252882 A1 * 9/2016 Meyer G04B 37/0008
368/294

(**) Term: **15 Years**

(21) Appl. No.: **29/572,455**

* cited by examiner

(22) Filed: **Jul. 28, 2016**

Primary Examiner — Sheryl Lane

Assistant Examiner — Calvin E Vansant

(30) **Foreign Application Priority Data**

(74) *Attorney, Agent, or Firm* — Donald J. Ranft; Collen

Jan. 28, 2016 (WO) DM/089178

(51) **LOC (10) Cl.** **10-02**

(57) **CLAIM**

(52) **U.S. Cl.**
USPC **D10/30**

The ornamental design for a watch case, as shown.

(58) **Field of Classification Search**
USPC D10/1-39, 122-132
CPC G04B 17/00; G04B 17/02; G04B 17/005;
G04B 17/285; G04B 37/00; G04B 37/00;
G04B 37/0058; G04B 45/00; G04B
45/02; G04B 45/038; G04B 45/0069;
G04B 45/0076; G04B 29/00
See application file for complete search history.

DESCRIPTION

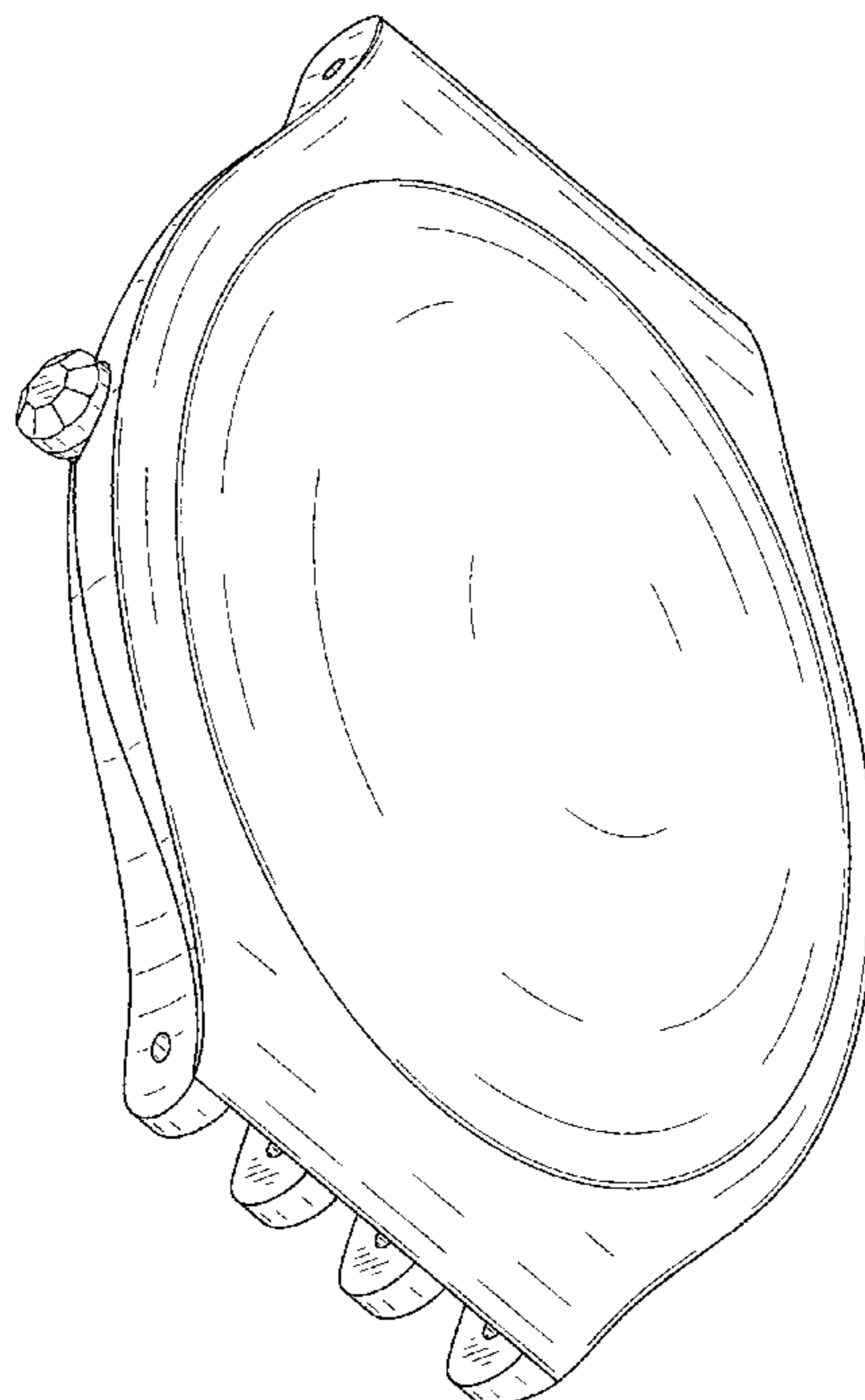
FIG. 1 is a front left perspective view of a watch case showing our new design;
FIG. 2 is a rear left perspective view thereof;
FIG. 3 is a rear top perspective view thereof;
FIG. 4 is a front view thereof;
FIG. 5 is a rear view thereof;
FIG. 6 is a left side view thereof;
FIG. 7 is a right side view thereof;
FIG. 8 is a top view thereof; and,
FIG. 9 is a bottom view thereof.

(56) **References Cited**

U.S. PATENT DOCUMENTS

D327,023 S * 6/1992 St. Dizier D10/30
D561,049 S * 2/2008 Figueiredo D10/38

1 Claim, 7 Drawing Sheets



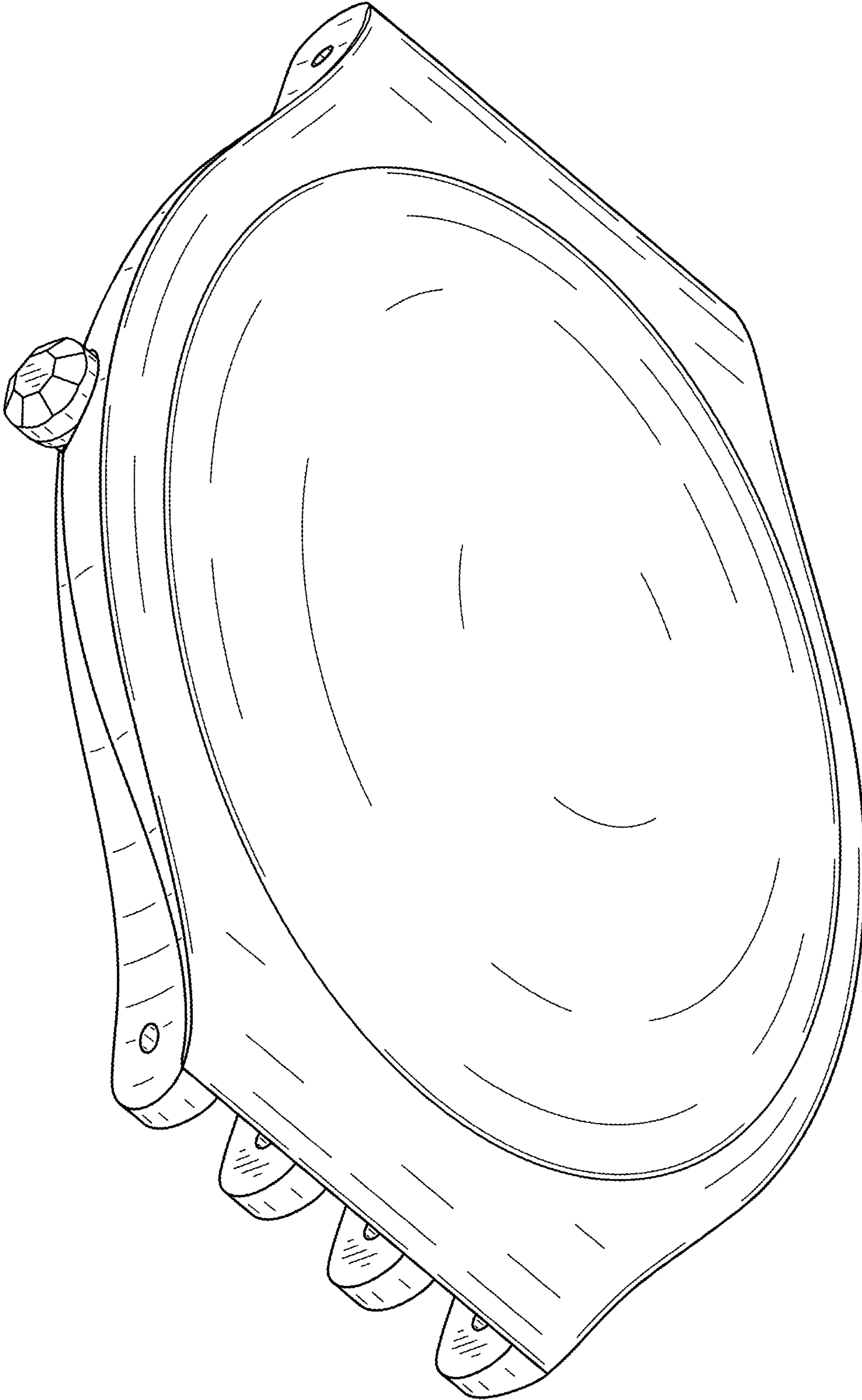


FIG. 1

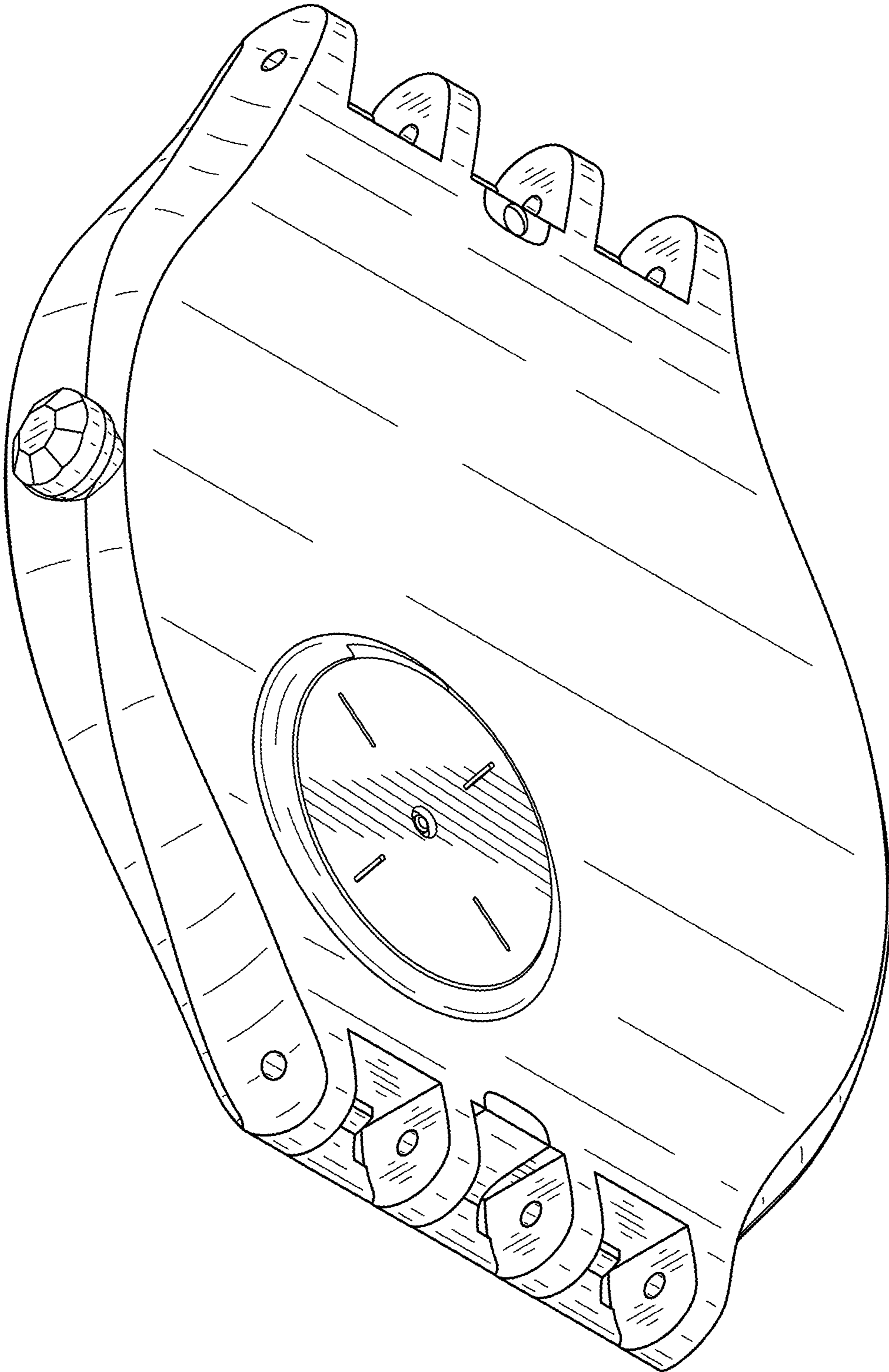


FIG. 2

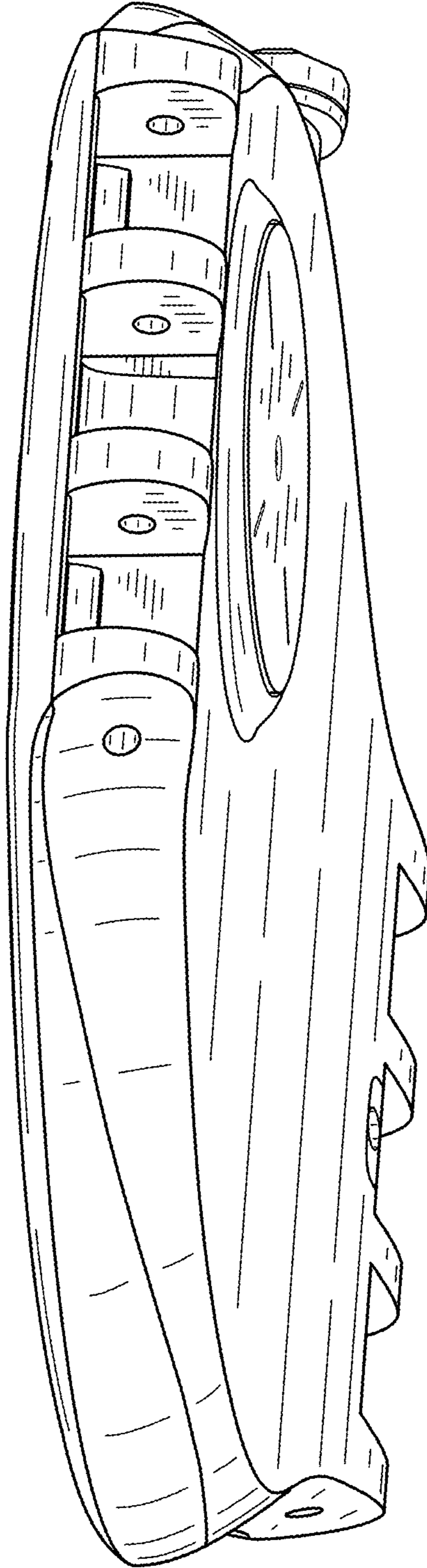


FIG. 3

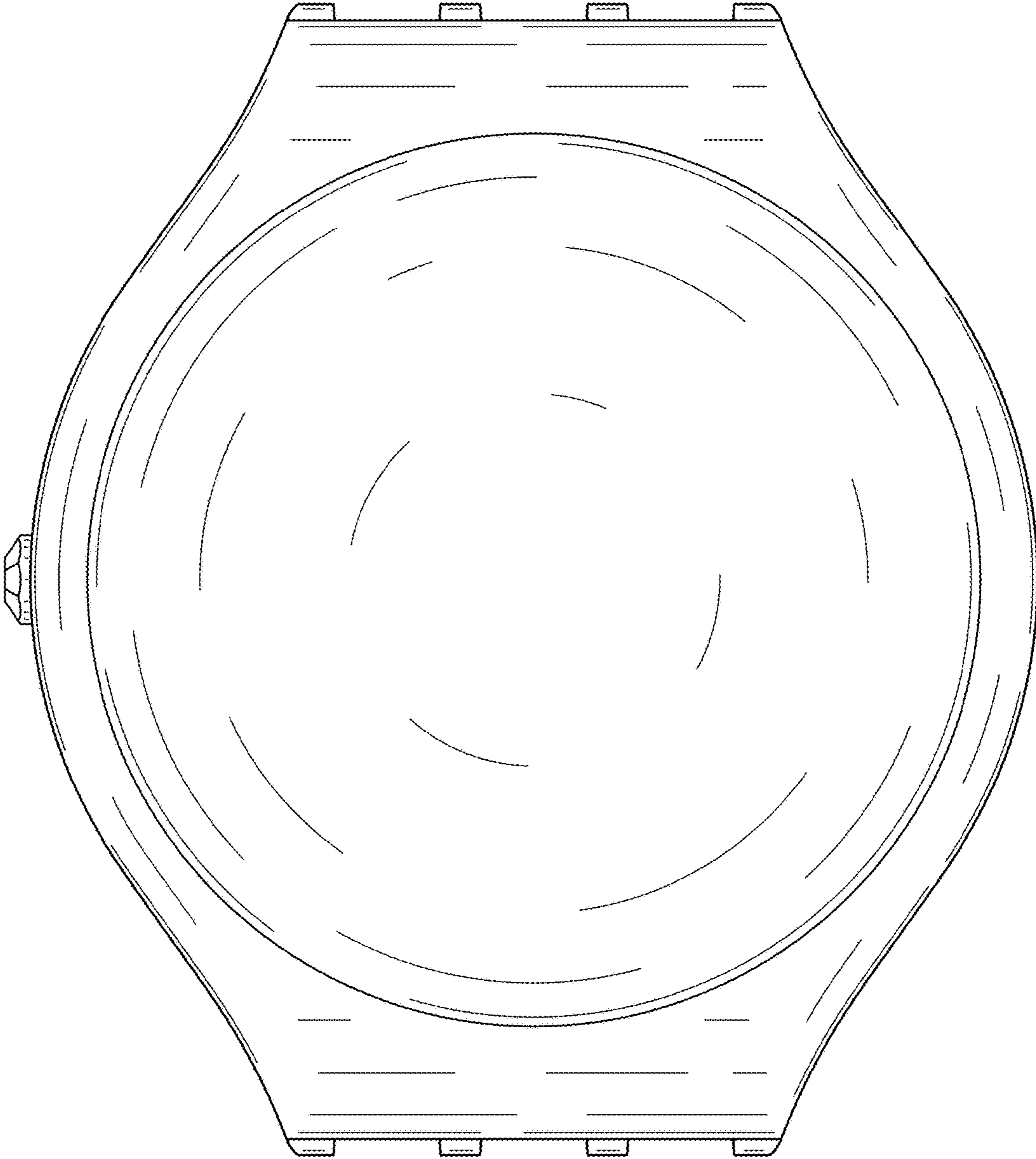


FIG. 4

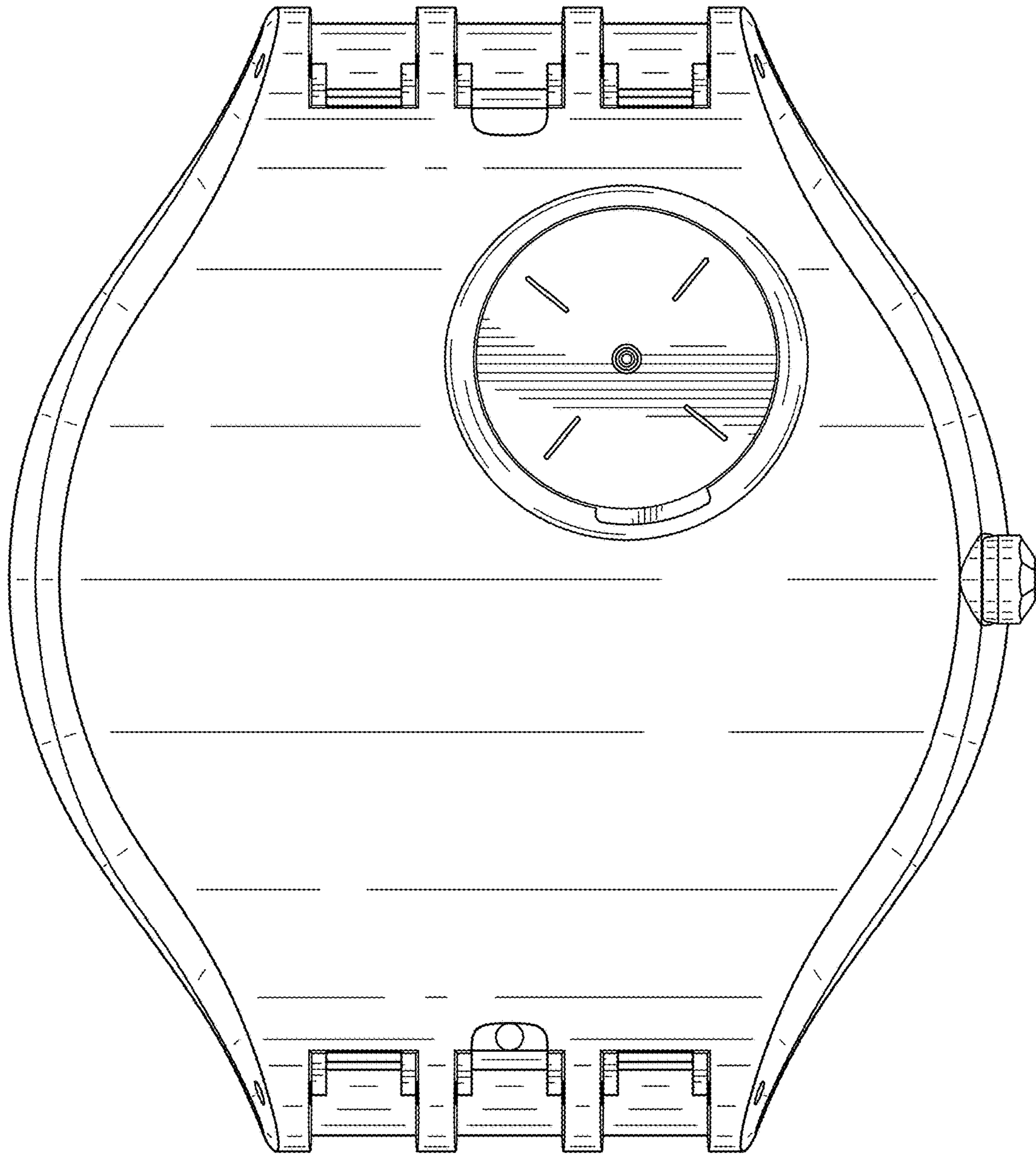


FIG. 5

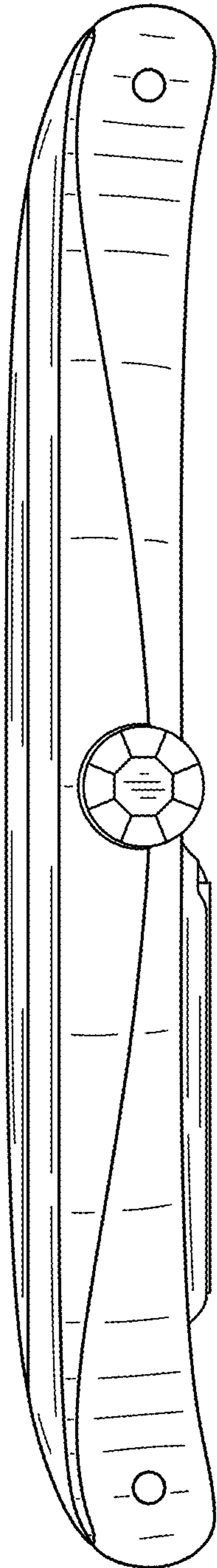


FIG. 6

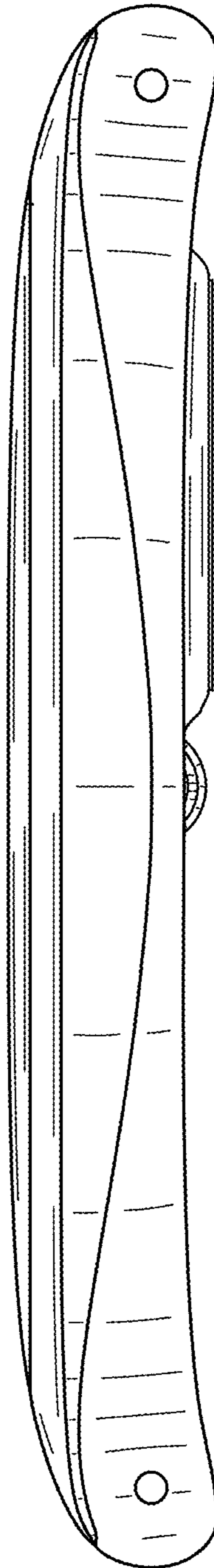


FIG. 7

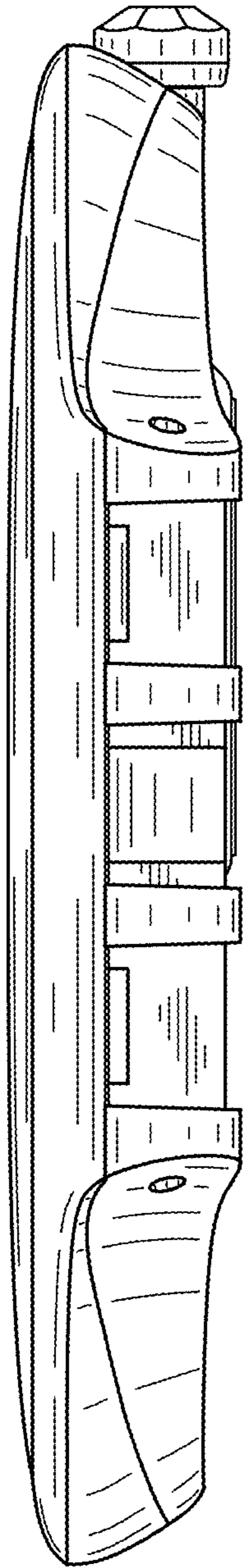


FIG. 8

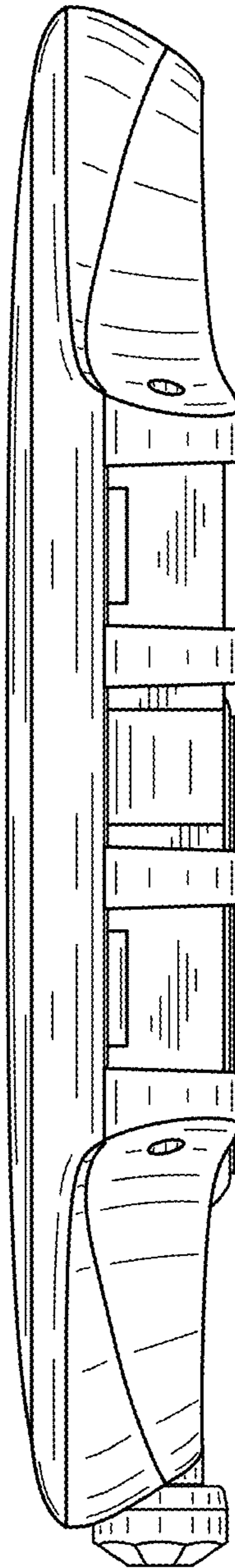


FIG. 9