



US00D799342S

(12) **United States Design Patent**  
**Mille**

(10) **Patent No.:** **US D799,342 S**

(45) **Date of Patent:** **\*\* Oct. 10, 2017**

(54) **WATCH**

(71) Applicant: **Turlen Holding SA**, Soyhières (CH)

(72) Inventor: **Richard Mille**, Moulins (FR)

(73) Assignee: **TURLEN HOLDING SA**, Soyhieres (CH)

(\*\*) Term: **15 Years**

(21) Appl. No.: **29/539,868**

(22) Filed: **Sep. 18, 2015**

(30) **Foreign Application Priority Data**

May 20, 2015 (WO) ..... DM/086543

(51) **LOC (10) Cl.** ..... **10-02**

(52) **U.S. Cl.**  
USPC ..... **D10/30**

(58) **Field of Classification Search**  
USPC ..... D10/1, 17, 22, 30-39, 122-132; D11/3,  
D11/12, 19, 21  
CPC ..... G04B 45/0069; G04B 45/0076; G04B  
47/04; G04B 47/042; G04B 37/0008;  
G04B 19/06; G04F 7/08  
See application file for complete search history.

(56) **References Cited**

**U.S. PATENT DOCUMENTS**

3,685,282	A	*	8/1972	Kock	.....	G04B 29/00
						368/131
4,926,401	A	*	5/1990	Vuilleumier	.....	G04B 37/225
						368/223
D456,274	S	*	4/2002	Mille	.....	D10/30
D530,229	S	*	10/2006	Wunderman	.....	D10/32
D624,439	S	*	9/2010	Wunderman	.....	D10/32
D664,047	S	*	7/2012	Mille	.....	D10/39
D680,885	S	*	4/2013	Mille	.....	D10/38

D689,378	S	*	9/2013	Mille	.....	D10/34
D692,323	S	*	10/2013	Mille	.....	D10/39
D694,657	S	*	12/2013	Mille	.....	D10/39
D710,216	S	*	8/2014	Mille	.....	D10/38
D715,164	S	*	10/2014	Tedeschi	.....	D10/128
D731,901	S	*	6/2015	Mille	.....	D10/125
D731,902	S	*	6/2015	Mille	.....	D10/125
D731,903	S	*	6/2015	Mille	.....	D10/125
D732,406	S	*	6/2015	Mille	.....	D10/125
D732,407	S	*	6/2015	Mille	.....	D10/125
D735,191	S	*	7/2015	Song	.....	D10/38
D736,653	S	*	8/2015	Mille	.....	D10/39
D737,693	S	*	9/2015	Mille	.....	D10/39
D753,512	S	*	4/2016	Mille	.....	D10/125
D755,646	S	*	5/2016	Mille	.....	D10/125
D755,647	S	*	5/2016	Mille	.....	D10/125
D765,521	S	*	9/2016	Mille	.....	D10/30

\* cited by examiner

*Primary Examiner* — Sandra Snapp

*Assistant Examiner* — Katherine Glennon

(74) *Attorney, Agent, or Firm* — Donald J. Ranft; Collen IP

(57) **CLAIM**

The ornamental design for a watch, as shown.

**DESCRIPTION**

FIG. 1 is a front right perspective view of a watch showing my new design;

FIG. 2 is a rear left perspective view thereof;

FIG. 3 is a front view thereof;

FIG. 4 is a rear view thereof;

FIG. 5 is a left side view thereof;

FIG. 6 is a right side view thereof;

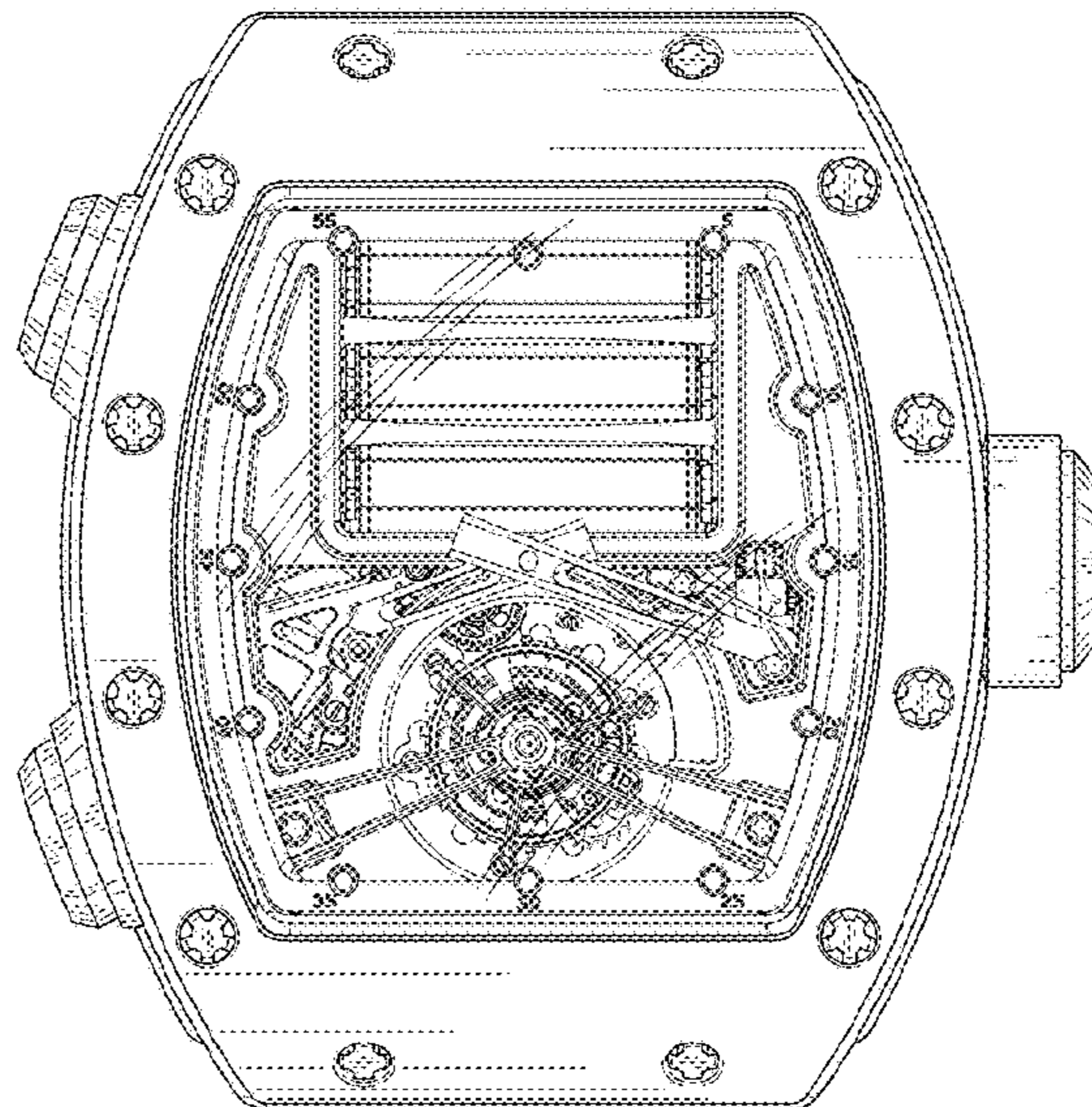
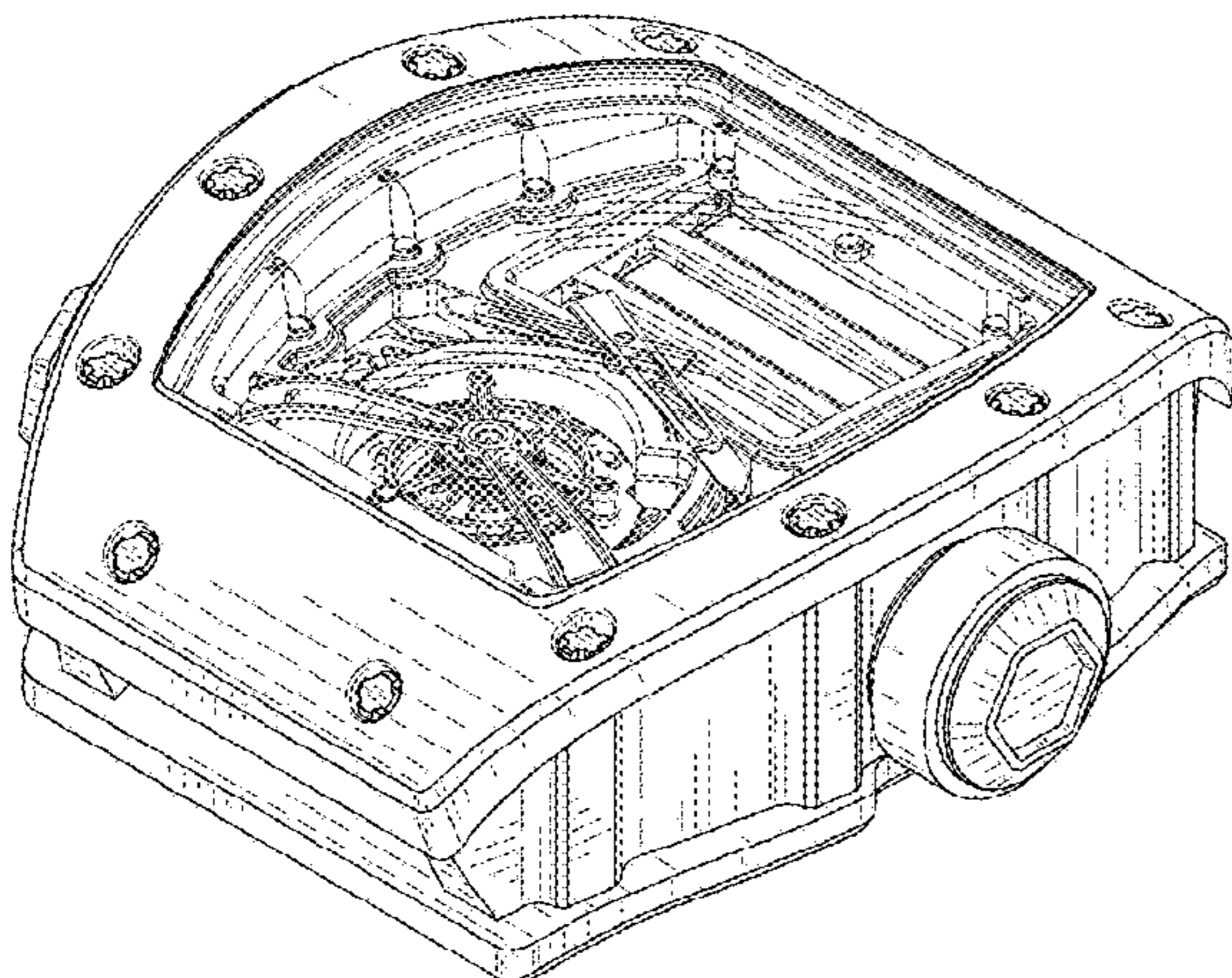
FIG. 7 is a top view thereof;

FIG. 8 is a bottom view thereof;

FIG. 9 is a front left perspective view thereof; and,

FIG. 10 is a rear right perspective view thereof.

**1 Claim, 8 Drawing Sheets**



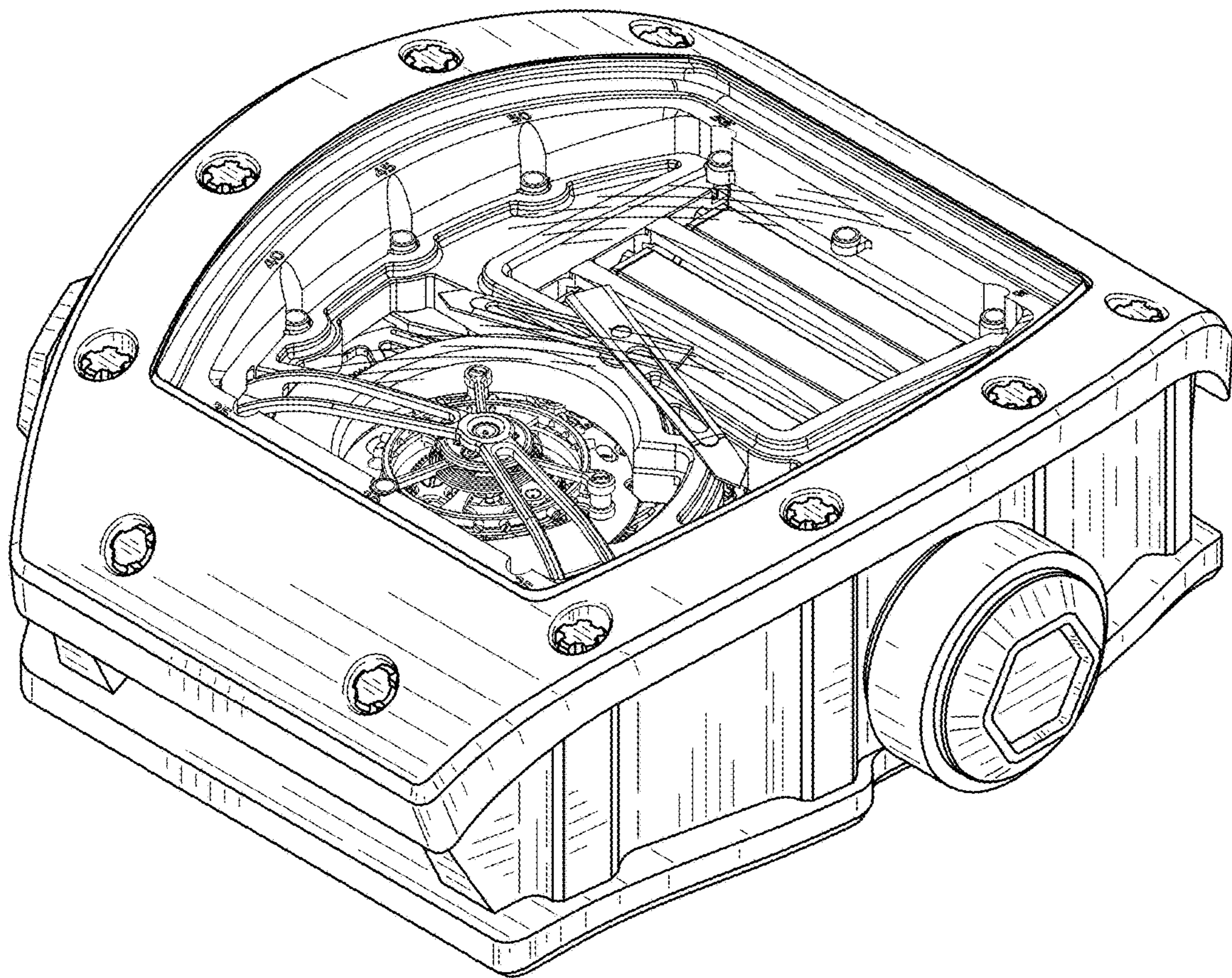


FIG. 1

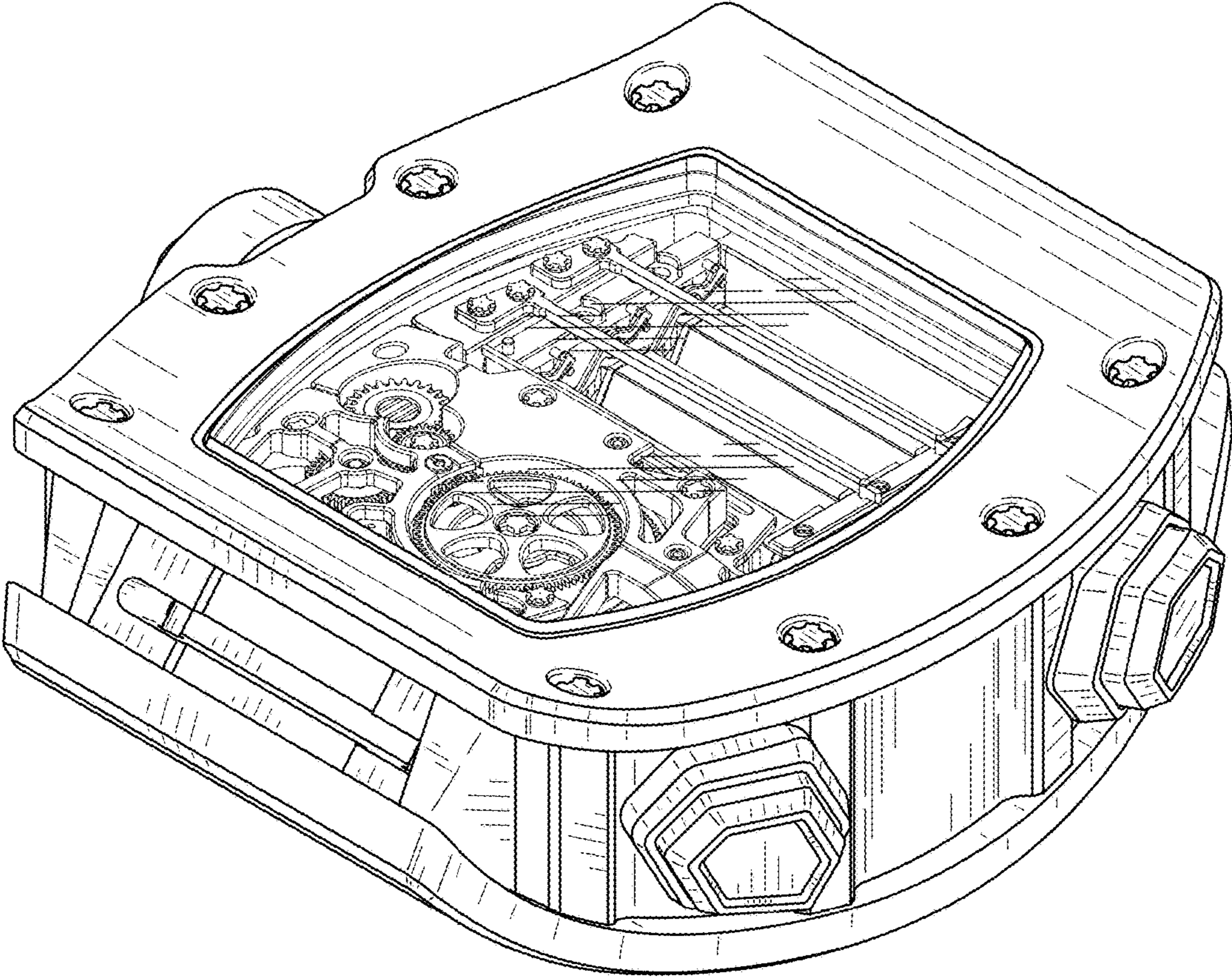


FIG. 2

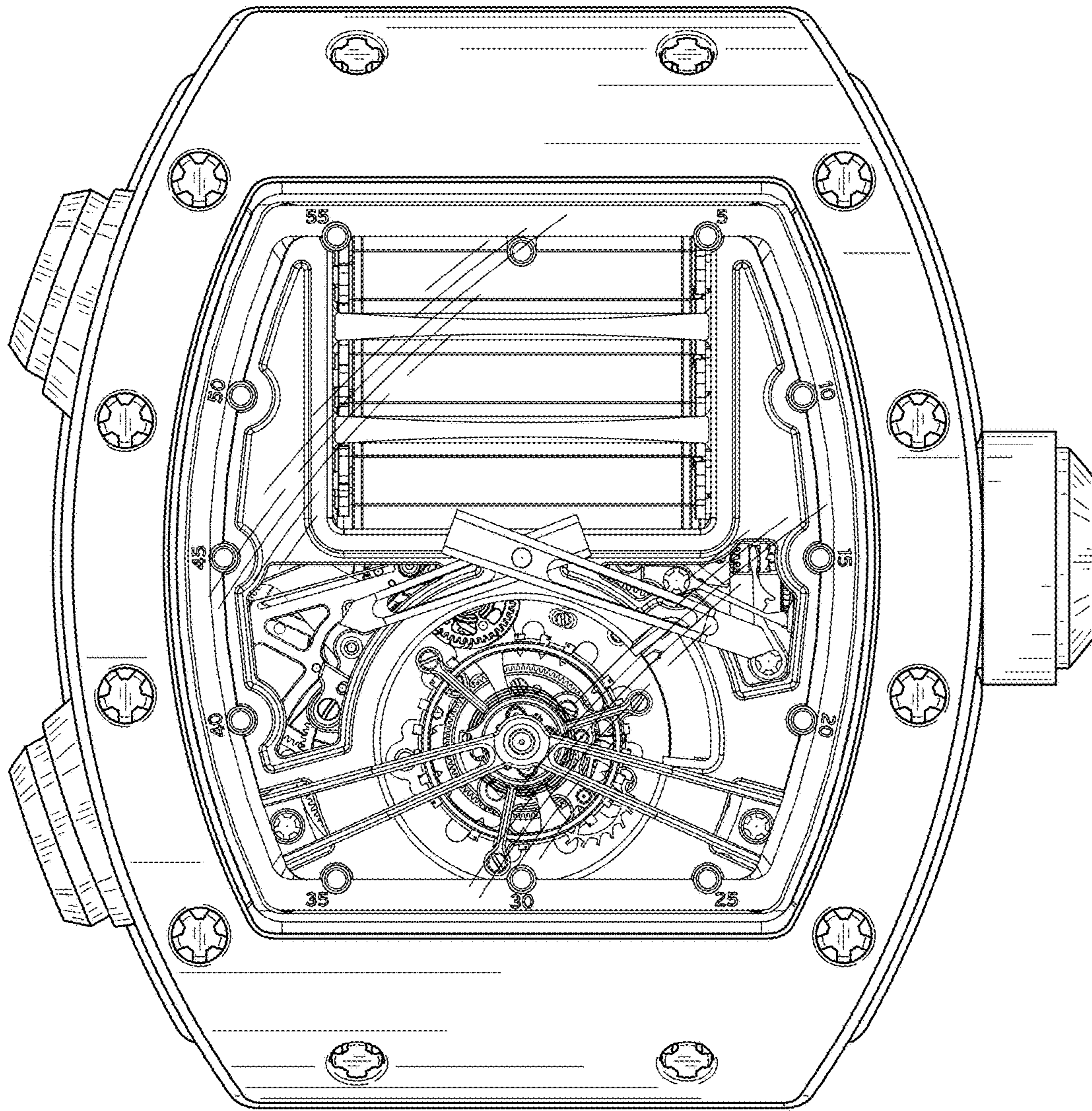


FIG. 3

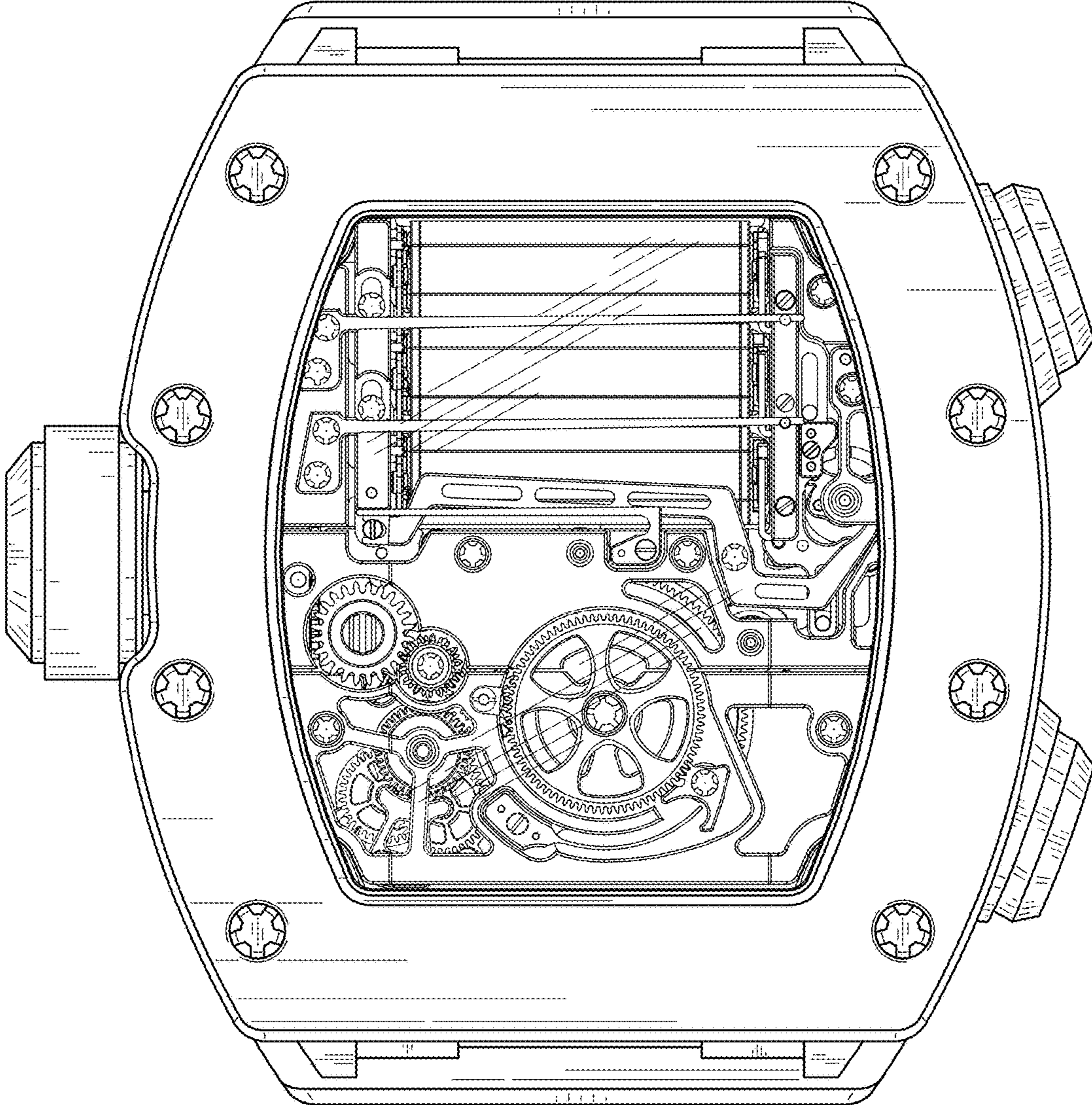


FIG. 4

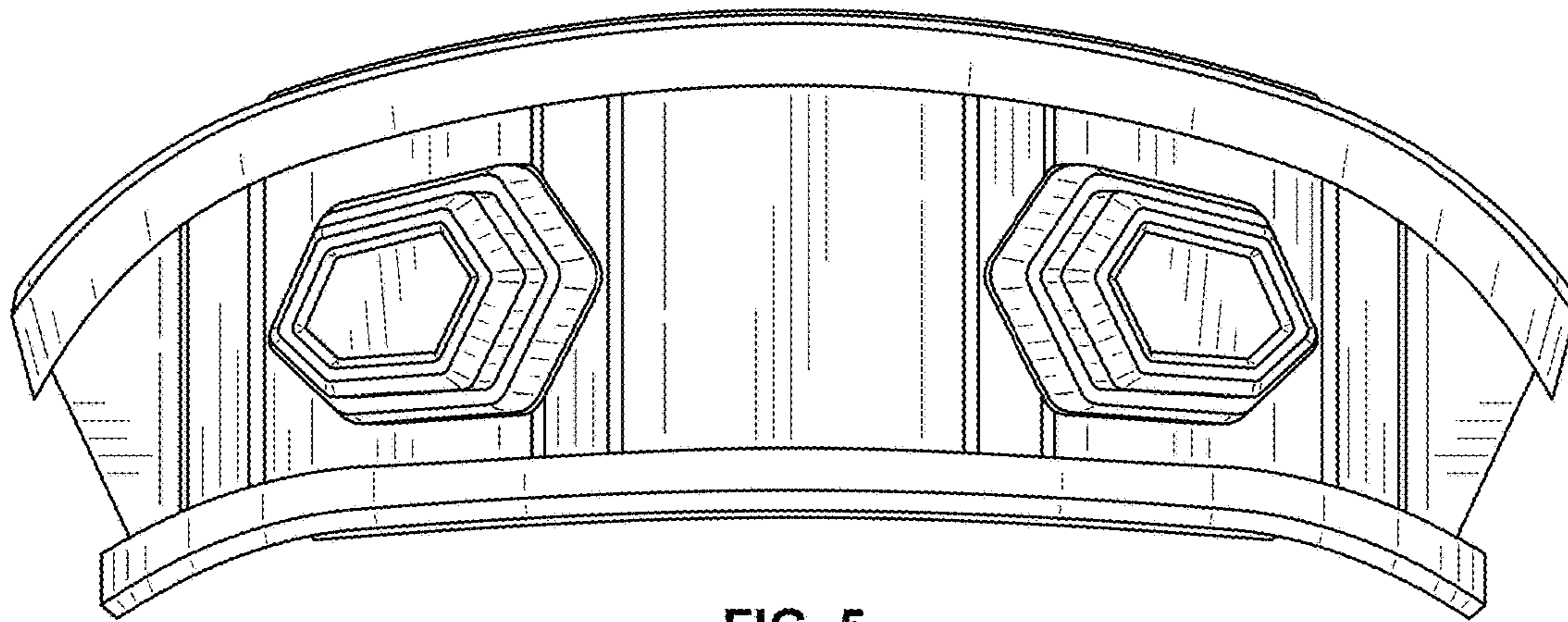


FIG. 5

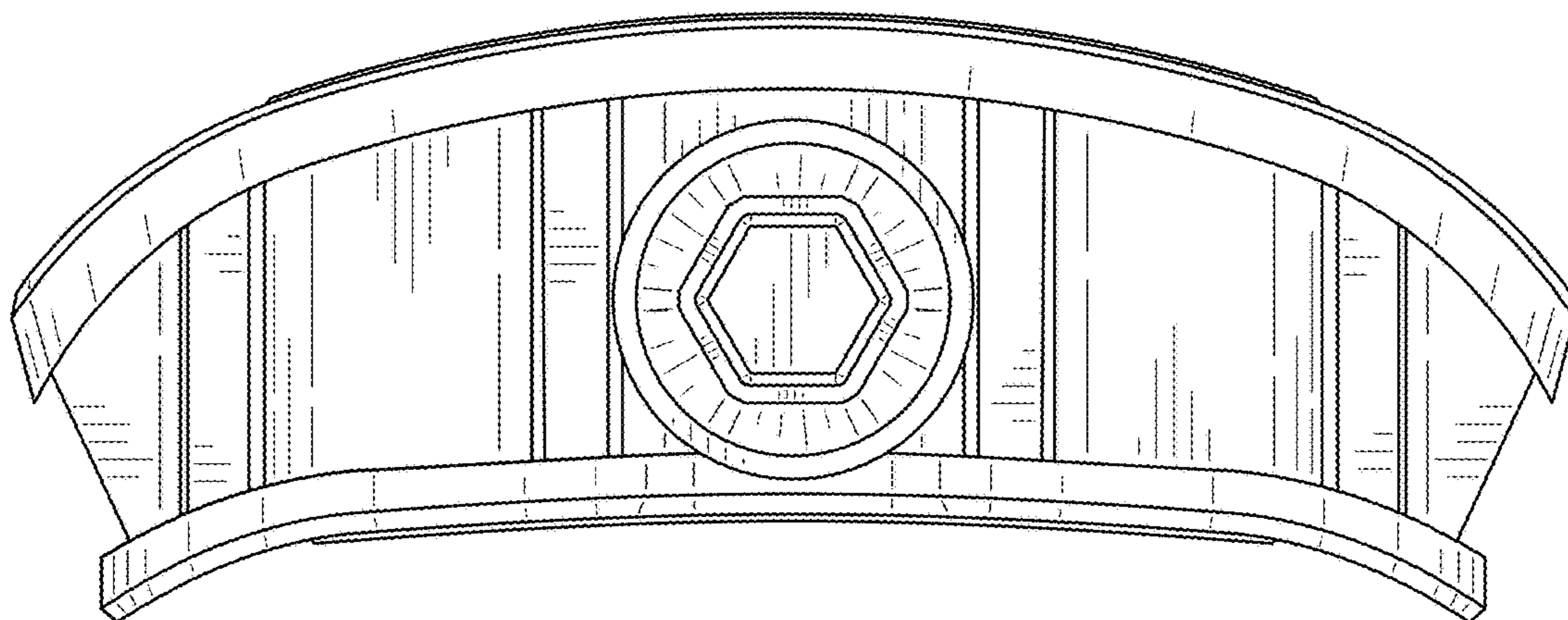


FIG. 6

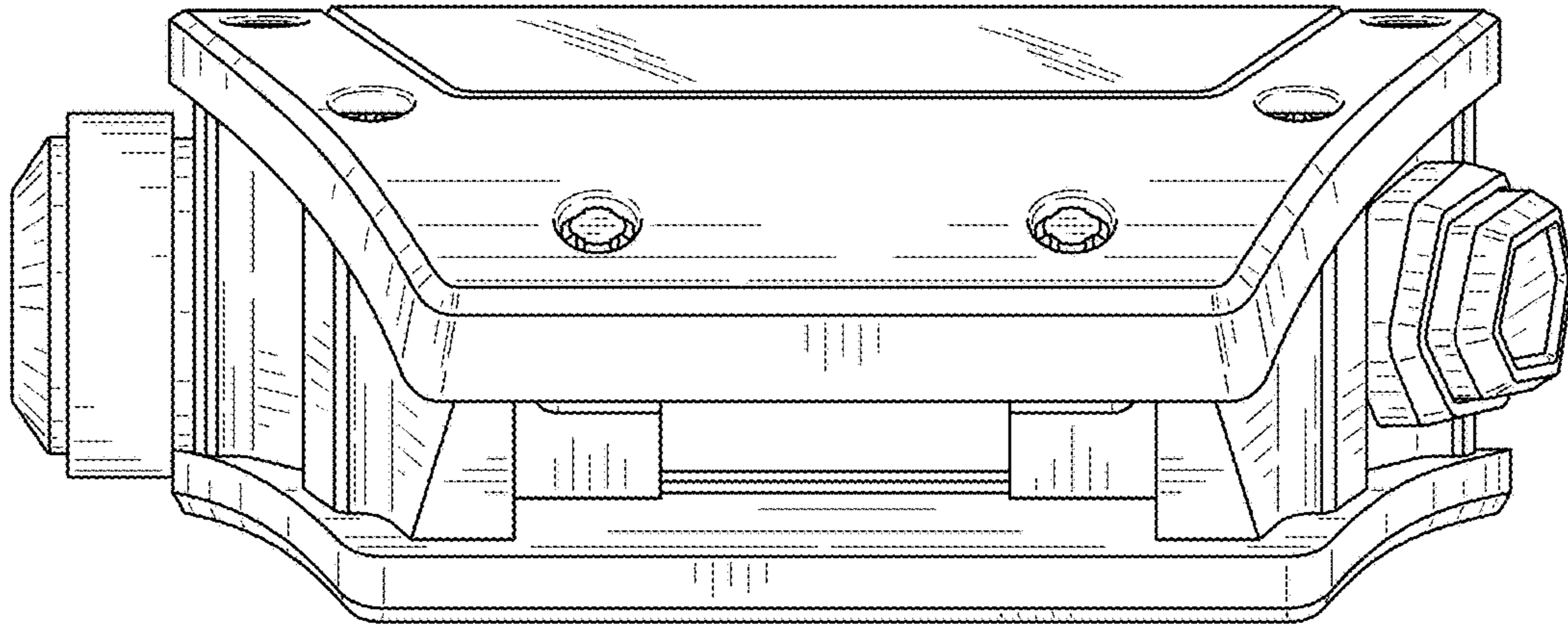


FIG. 7

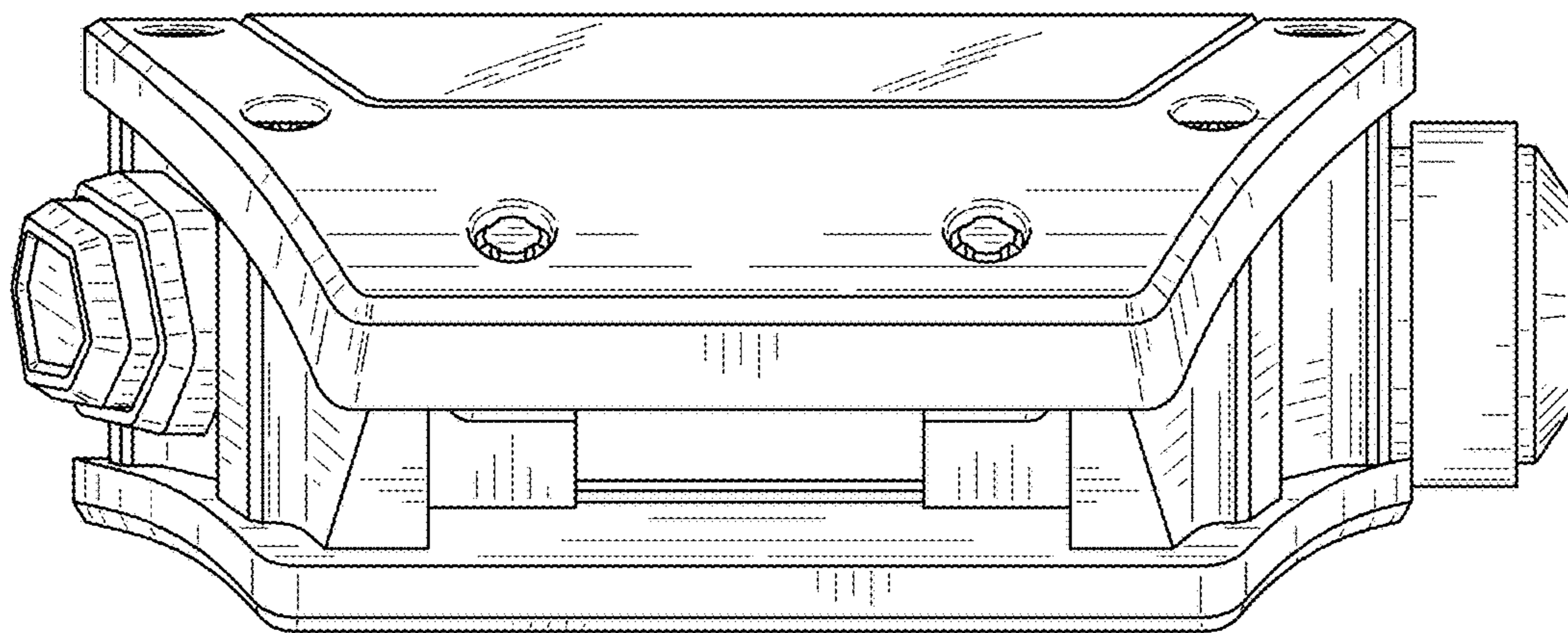


FIG. 8

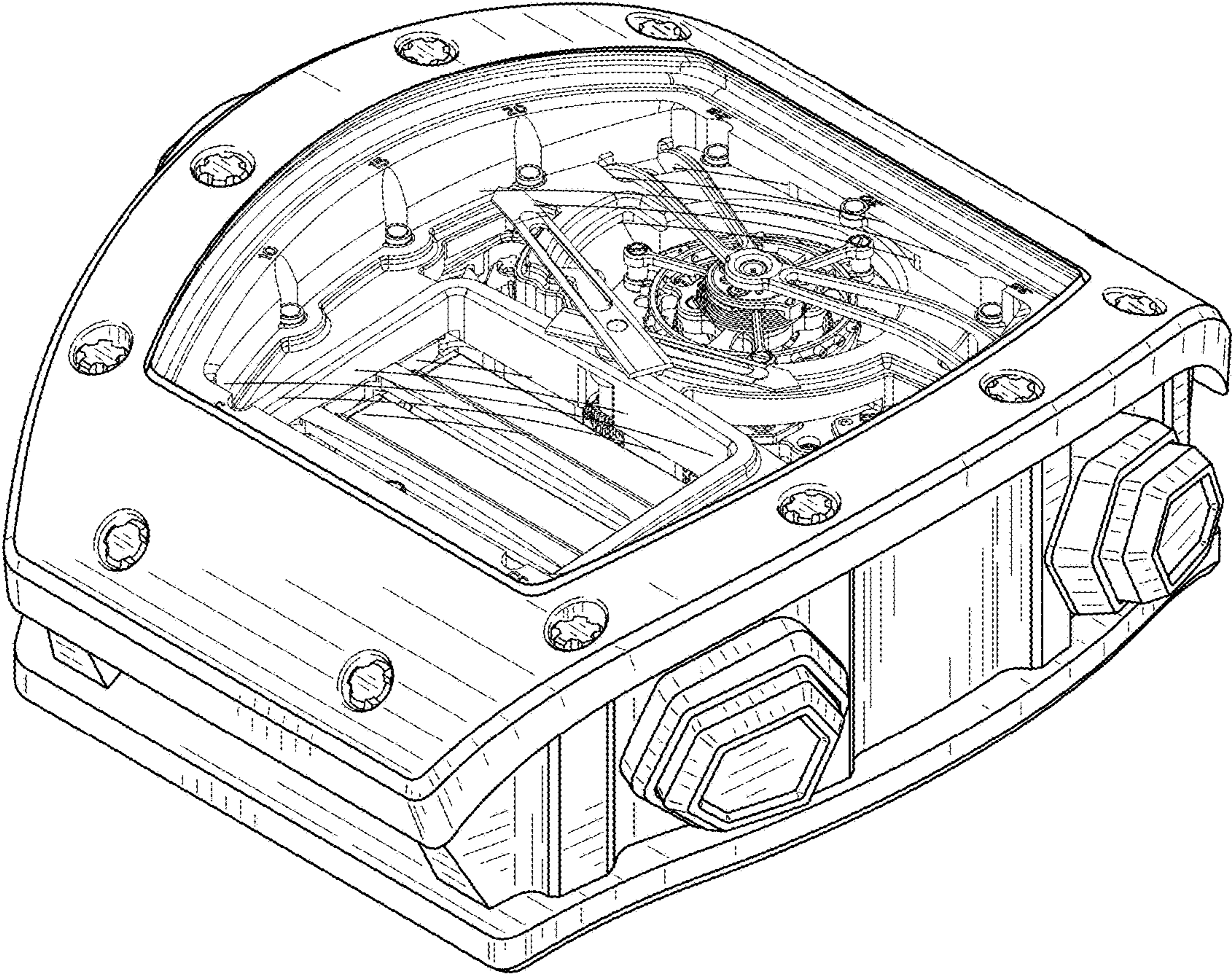


FIG. 9



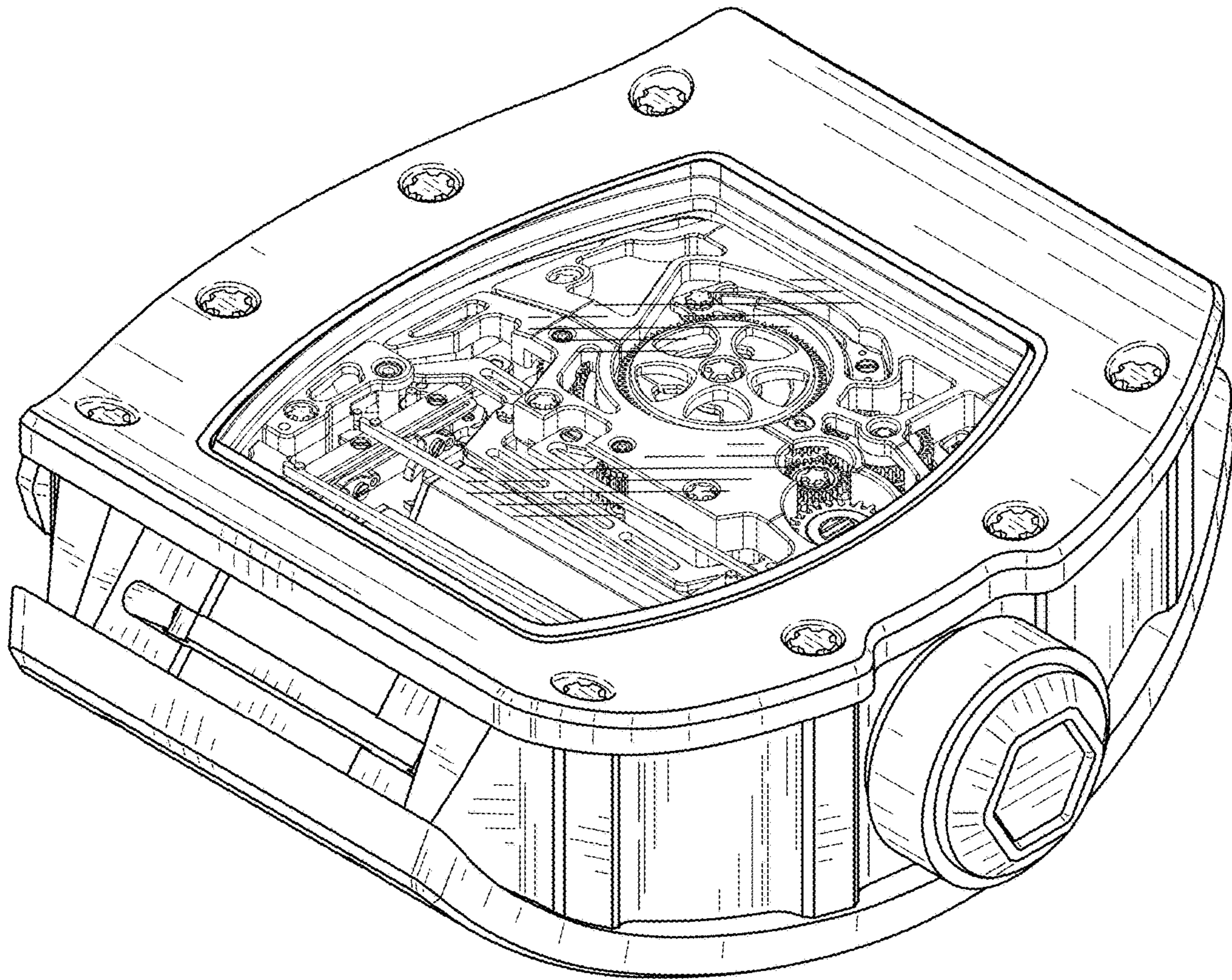


FIG. 10