



US00D799341S

(12) **United States Design Patent** (10) **Patent No.:** **US D799,341 S**
Tanus et al. (45) **Date of Patent:** **** Oct. 10, 2017**

(54) **PACKAGING FOR SANITARY WARE**

5,441,152 A * 8/1995 Estes B25H 3/006
206/349
D369,469 S * 5/1996 Gregory D3/313
D383,606 S * 9/1997 Bourbonnais D3/273
D393,591 S * 4/1998 Baryshyan D9/753
D596,030 S * 7/2009 Liipola D9/456

(71) Applicant: **Mountainside Investment Group, LLC, Weslaco, TX (US)**

(72) Inventors: **Abraham Tanus, Weslaco, TX (US); Jose Daniel Alanis Garza, Weslaco, TX (US); John Clayton Evans, Weslaco, TX (US); Edgar David Arellano-Robles, Weslaco, TX (US); Jorge Alberto Algraves-Yarza, Weslaco, TX (US); Sarah Tanus, Weslaco, TX (US)**

(Continued)

OTHER PUBLICATIONS

Kemasan busa eva insert. [online] Published date unknown. Retrieved on Dec. 28, 2016 from <URL: <https://indonesian.alibaba.com/product-detail/packing-eva-foam-insert-eva-foam-box-inserts-custom-eva-molded-foam-60269928714.html>>.*

(73) Assignee: **Mountainside Investment Group, LLC, Weslaco, TX (US)**

Primary Examiner — Vy Koenig

Assistant Examiner — Omeed Agilee

(**) Term: **15 Years**

(74) *Attorney, Agent, or Firm* — McGuireWoods LLP

(21) Appl. No.: **29/565,501**

(57) **CLAIM**

(22) Filed: **May 20, 2016**

We claim the ornamental design for packaging for sanitary ware, as shown and described.

(51) **LOC (10) Cl.** **09-03**

(52) **U.S. Cl.**
USPC **D9/737; D9/456**

DESCRIPTION

(58) **Field of Classification Search**
USPC D9/414–434, 442–445, 456, 457, 542, D9/563, 707, 708, 711, 754, 759, D9/772–776; D3/273, 276, 304, 305, D3/307, 309–313; D7/601, 602, 709; D19/75, 90
CPC B65D 5/00; B65D 5/001; B65D 5/0015; B65D 5/0227–5/0254; B65D 5/6605; B65D 1/34; B65D 1/36; B65D 43/162; B65D 2543/00101; B65D 5/48024; B65D 5/5021; B65B 5/06
See application file for complete search history.

FIG. 1 is a left, front, and top isometric view of packaging for sanitary ware;
FIG. 2 is a left side view thereof;
FIG. 3 is a right side view thereof;
FIG. 4 is a front view thereof;
FIG. 5 is a rear view thereof;
FIG. 6 is a top view thereof;
FIG. 7 is a bottom view thereof; and,
FIG. 8 is an isometric view showing an unclaimed toilet received within a portion of the packaging for sanitary ware, the other portion having been removed for ease of illustration.

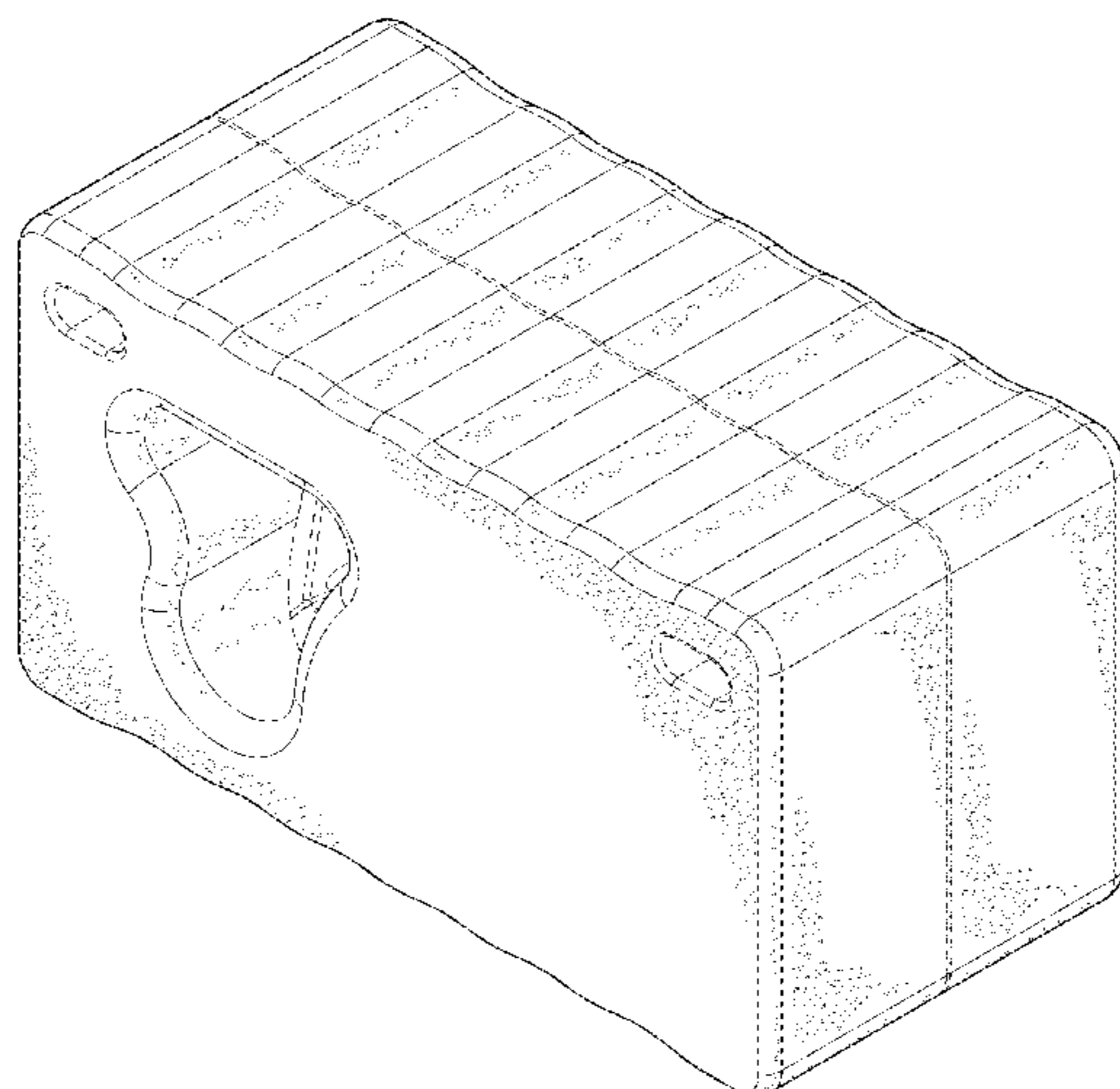
(56) **References Cited**

U.S. PATENT DOCUMENTS

D191,427 S * 9/1961 Peterman D3/294
D219,576 S * 12/1970 Sulger D9/418
D280,290 S * 8/1985 Bakus D9/425

The broken lines illustrated in the figures depict portions of the packaging for sanitary ware that form no part of the claimed design. The additional broken lines shown in FIG. 8 illustrate environmental subject matter, specifically a sanitary ware, and forms no part of the claimed design.

1 Claim, 7 Drawing Sheets



(56)

References Cited

U.S. PATENT DOCUMENTS

D634,541 S *	3/2011	Gutierrez	D3/313
D660,723 S *	5/2012	Akana	D9/424
D661,188 S *	6/2012	Fahy	D9/456
D699,035 S *	2/2014	Hazen	D3/313
D723,920 S *	3/2015	Wakeham	D9/456
D748,498 S *	2/2016	Pipes	D9/424
D749,417 S *	2/2016	Bate	D9/456
D768,008 S *	10/2016	Akana	D9/721
D772,068 S *	11/2016	Zheng	D9/414

* cited by examiner

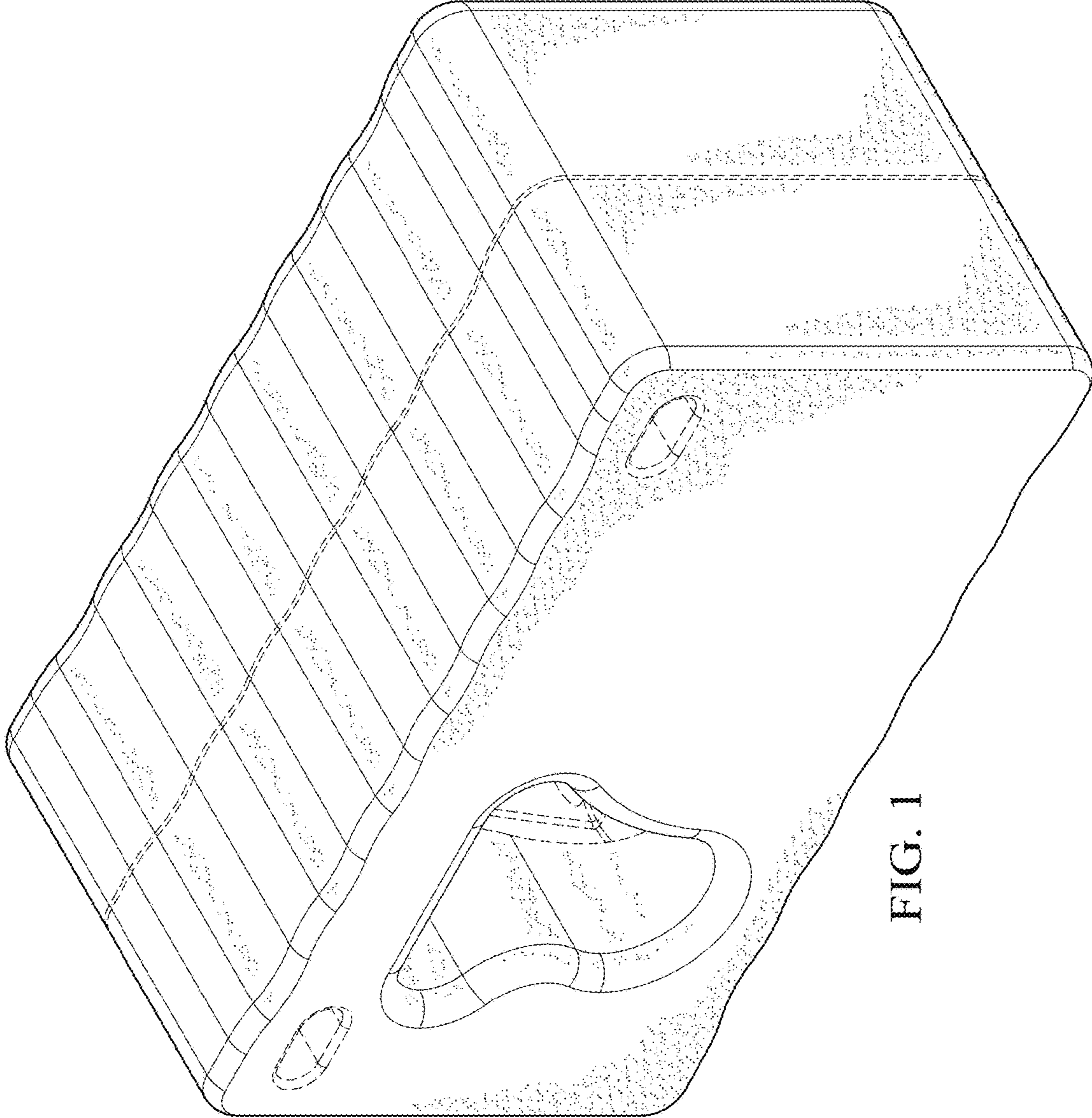


FIG. 1

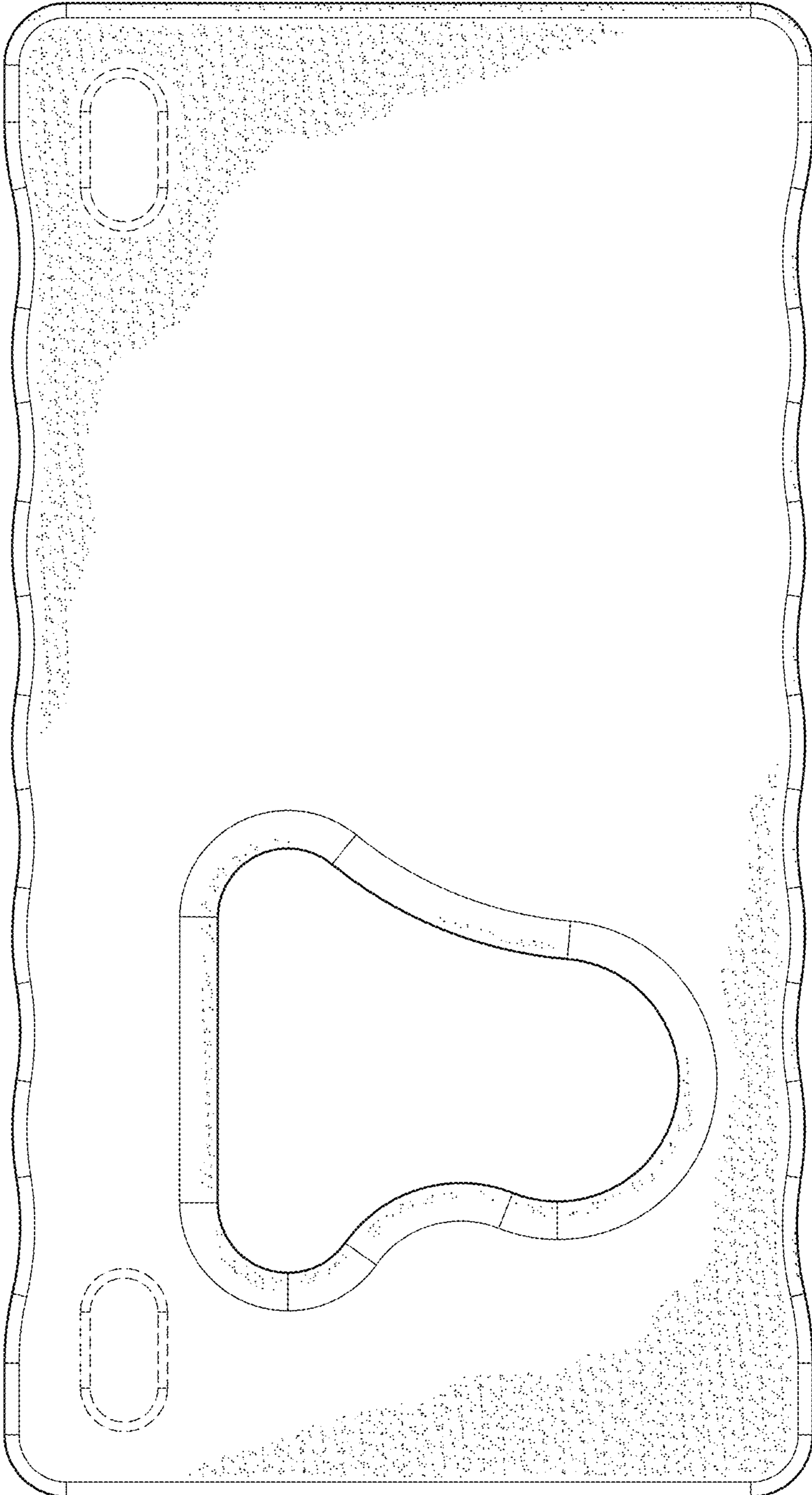


FIG. 2

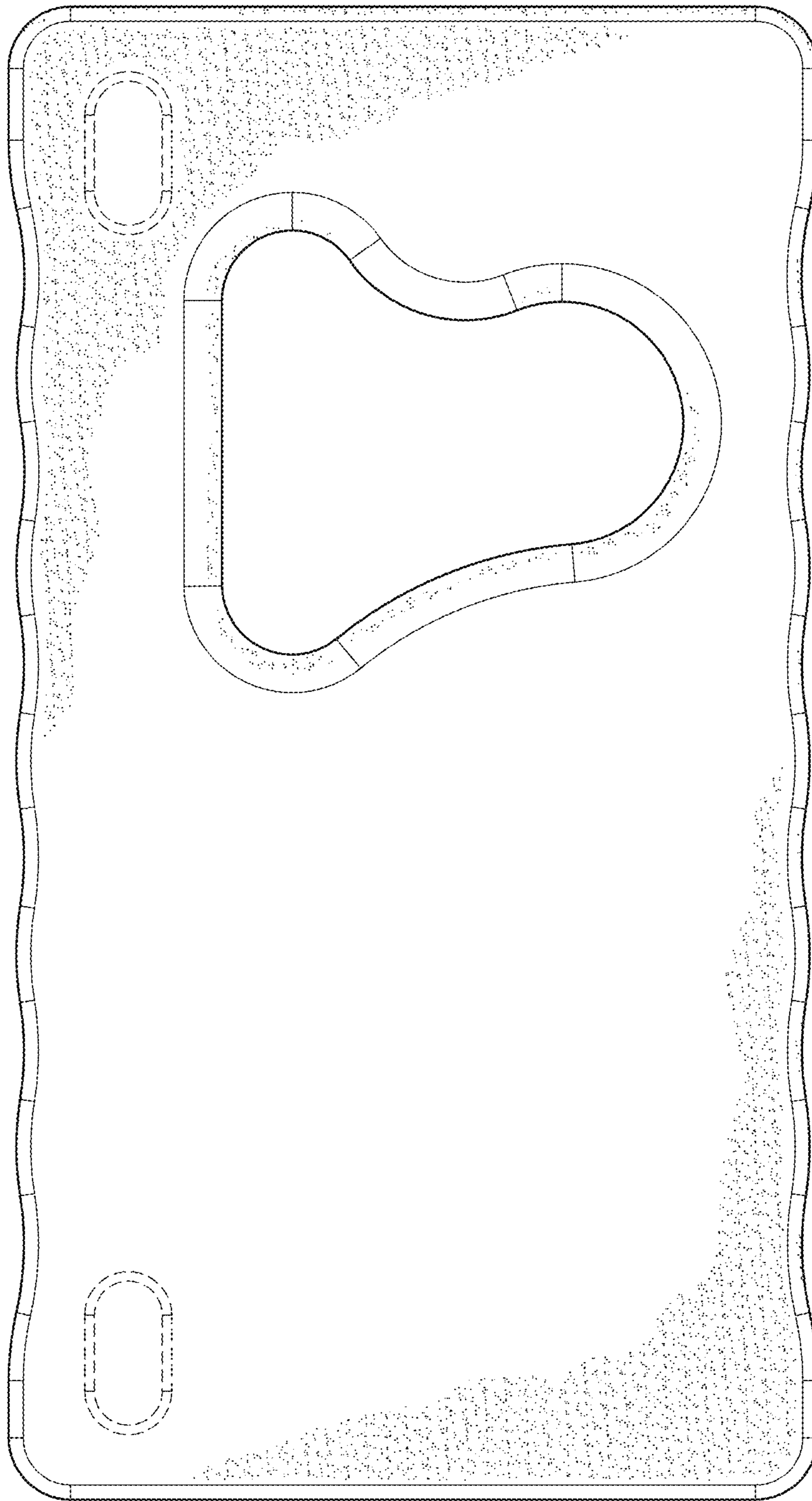


FIG. 3

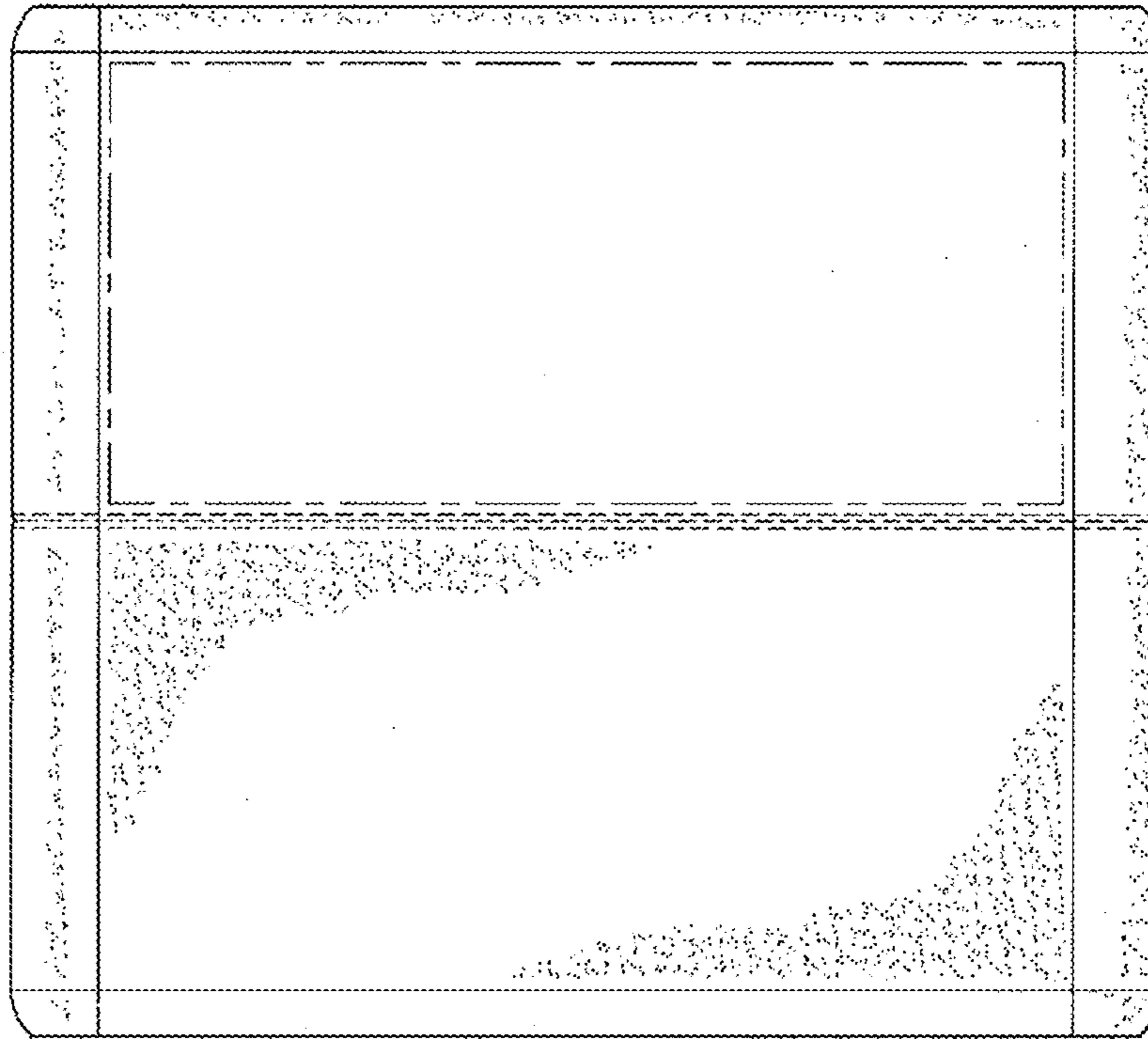


FIG. 5

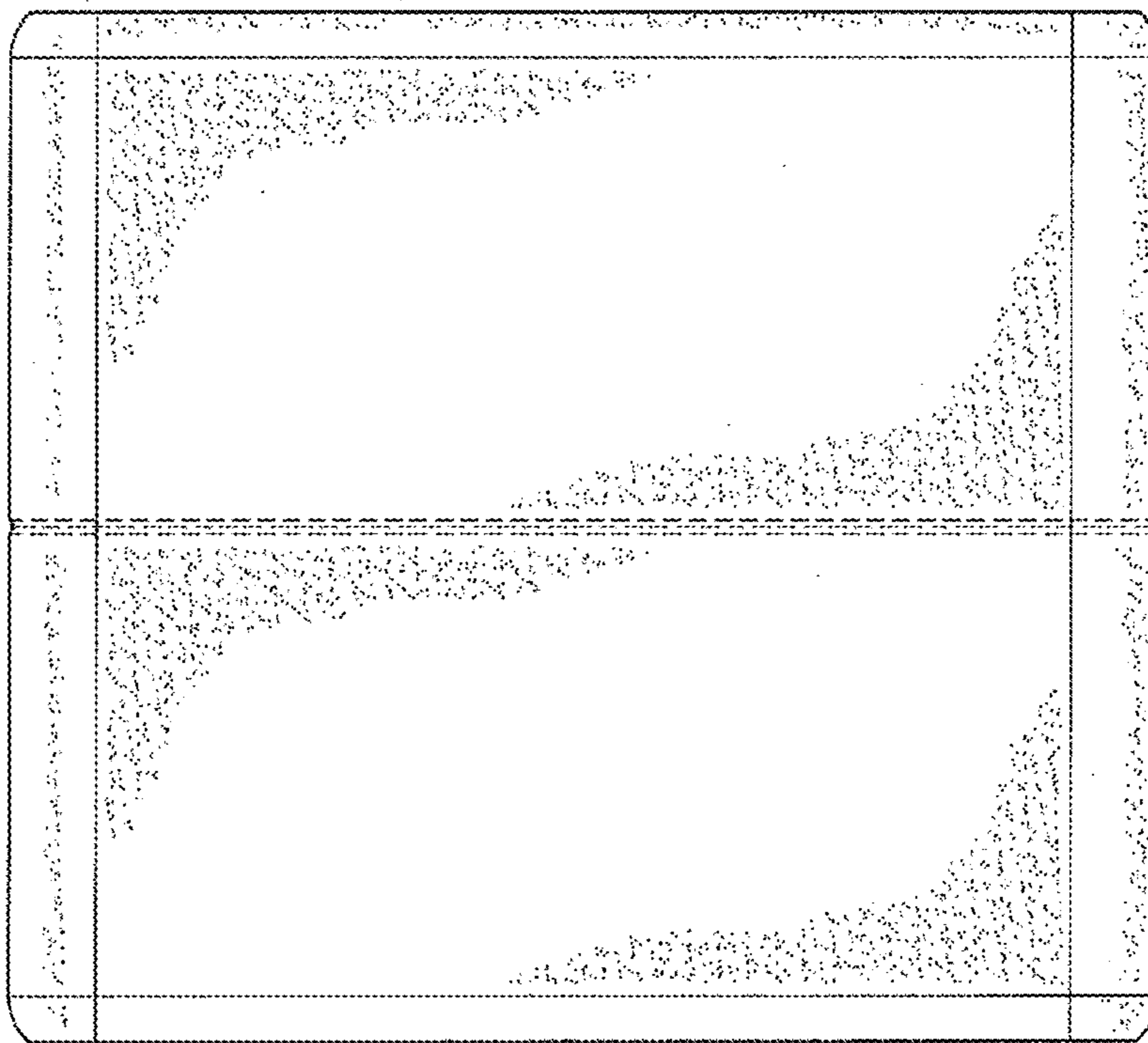


FIG. 4

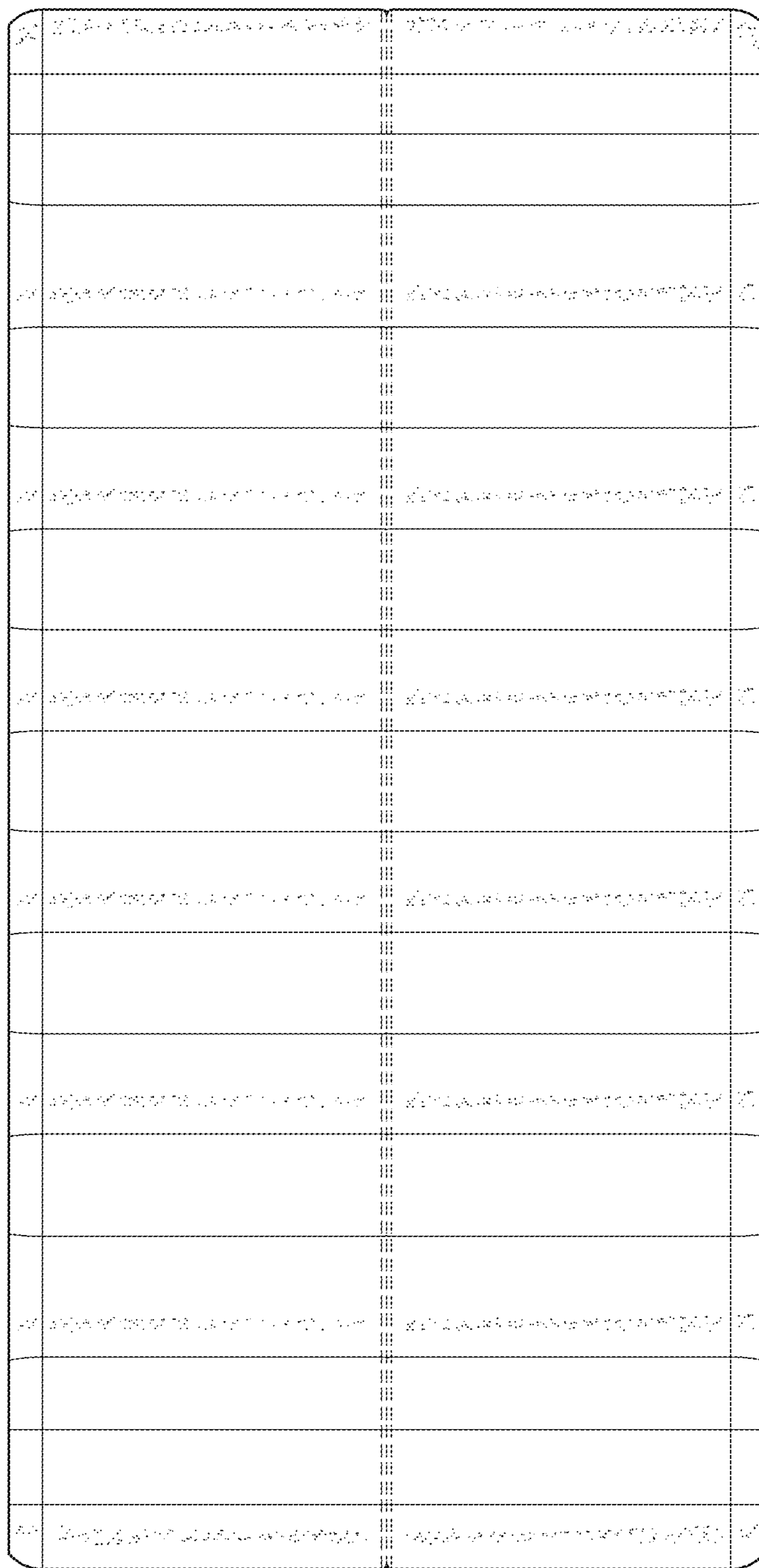


FIG. 6

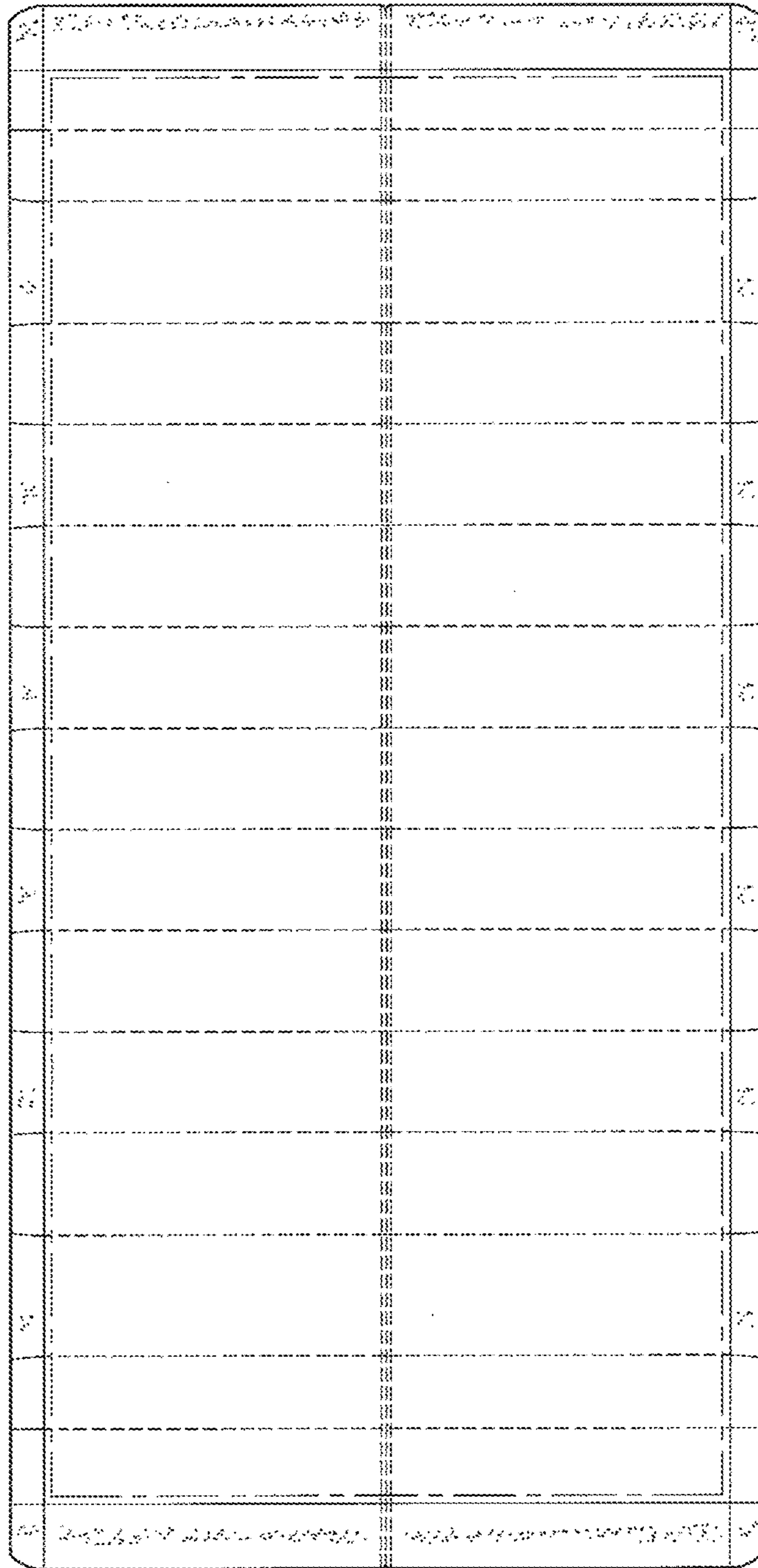


FIG. 7

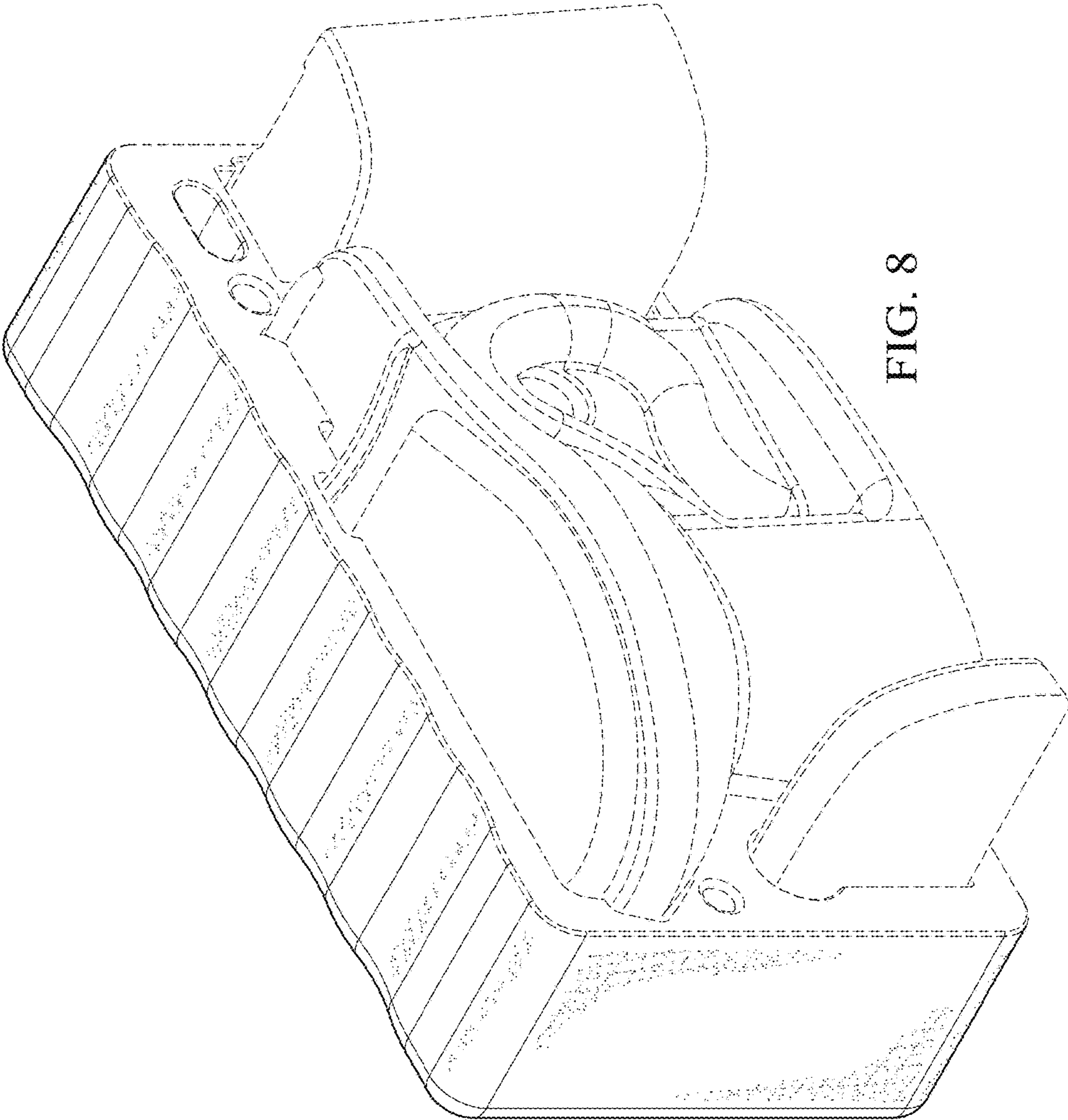


FIG. 8