



US00D799340S

(12) **United States Design Patent** (10) **Patent No.:** **US D799,340 S**  
**Shoshan et al.** (45) **Date of Patent:** **\*\* \*Oct. 10, 2017**

(54) **BOWL AND TRAY UNIT ASSEMBLY**

(71) Applicants: **FIVESTAR GOURMET FOODS, INC.**, Ontario, CA (US); **DIRECT PACK, INC.**, Sun Valley, CA (US)

(72) Inventors: **Tal Shoshan**, Alta Loma, CA (US); **Kevin-Dirk Pesirla Closas**, Colton, CA (US); **Cesar E. Ramirez**, Hacienda Heights, CA (US)

(73) Assignees: **FiveStar Gourmet Foods, Inc.**, Ontario, CA (US); **Direct Pack, Inc.**, Azusa, CA (US)

(\*) Notice: This patent is subject to a terminal disclaimer.

(\*\*) Term: **15 Years**

(21) Appl. No.: **29/544,289**

(22) Filed: **Nov. 2, 2015**

(51) **LOC (10) Cl.** ..... **09-03**

(52) **U.S. Cl.**  
USPC ..... **D9/737**

(58) **Field of Classification Search**  
USPC ..... D9/341, 347, 414-432, 440, 444, 447, D9/449, 450-454, 503, 504, 737, 759, D9/761; D7/672, 601, 550.1, 551.1, D7/551.2, 551.3, 552.1, 552.2, 553.1, D7/553.2, 553.3, 553.4, 553.5, 553.7, D7/553.8, 554.1, 554.3, 555, 557, 602, D7/629, 630, 538-542, 612-615, 584, D7/586, 587, 392.1, 709, 502, 608, 622, D7/701, 703, 543-549, 317-319, 391, D7/392, 396.2, 510, 511; D3/273, D3/201-206, 276, 283, 284, 295, 274, D3/302; 229/107, 406, 120, 125.17; 220/669-673, 675, 574-575, 573.1, 4.21, 220/660, 326, 236, 780-806, 4.24, 288, 220/260, 266, 306, 352, 356, 523, 23.8, 220/23.2, 23.83, 23.4, 662, 700, 701, 703,

220/711, 713-715, 719; 190/109, 110; 426/106; 206/216, 217, 541-550, 518, 206/557, 558, 561, 564, 223, 467; 215/211, 200, 224, 243; 249/126, 134  
CPC ..... A47G 19/00; A47G 19/02; A47G 19/065; B65D 1/34; B65D 21/00; B65D 21/0204  
See application file for complete search history.

(56) **References Cited**

U.S. PATENT DOCUMENTS

D419,869 S *	2/2000	Loew	.....	D9/761
D672,209 S *	12/2012	Lion	.....	D7/629
D695,077 S *	12/2013	Chase	.....	D7/555
D696,072 S *	12/2013	Hsu	.....	D7/505
D698,665 S *	2/2014	Sifuentes	.....	D9/425
D698,666 S *	2/2014	Sifuentes	.....	D9/425
D698,667 S *	2/2014	Snedden	.....	D9/425

(Continued)

*Primary Examiner* — Cathron Brooks  
*Assistant Examiner* — Teddy Falloway

(74) *Attorney, Agent, or Firm* — Frost Brown Todd LLC

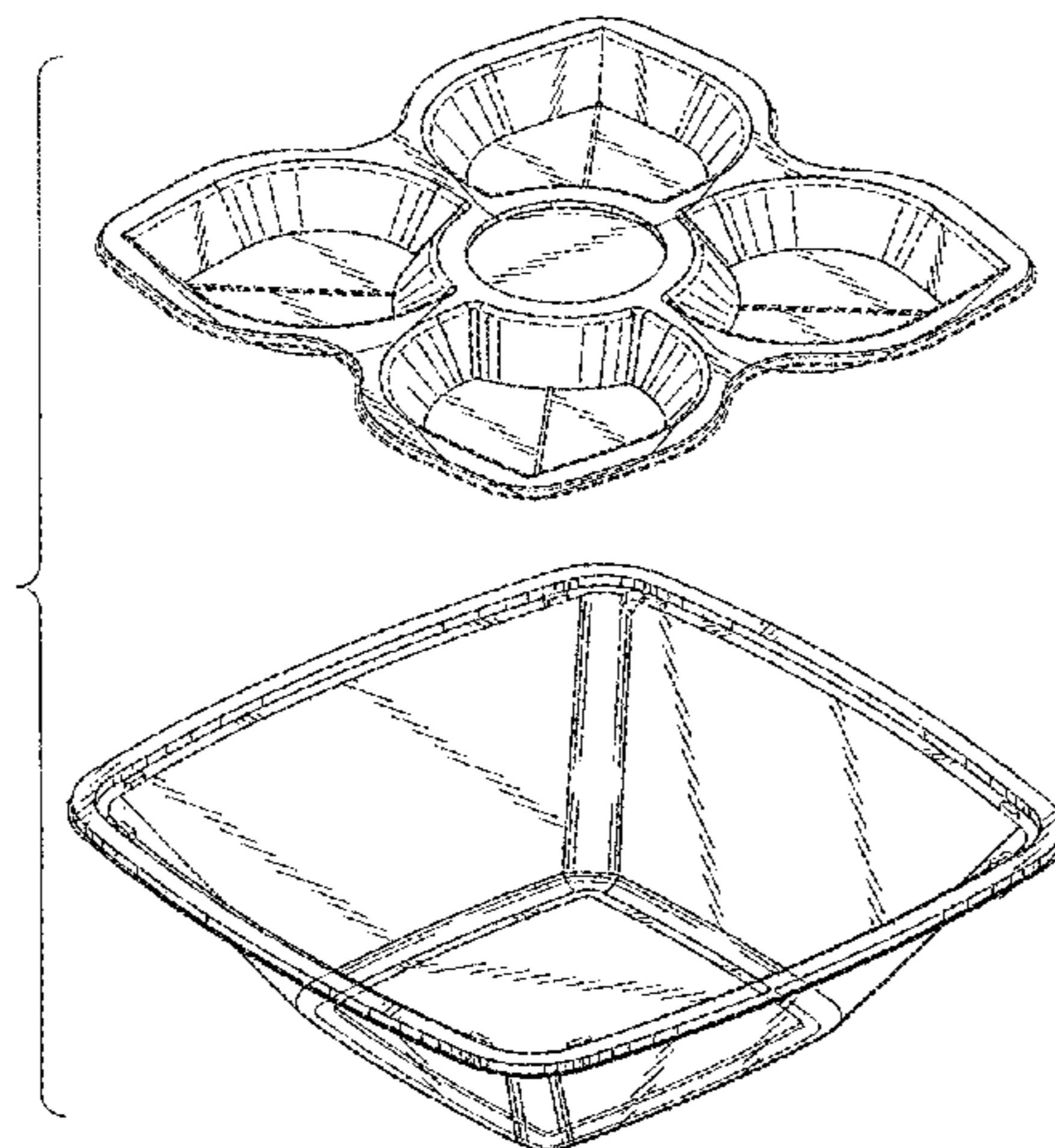
(57) **CLAIM**

The ornamental design for a bowl and tray unit assembly, as shown and described.

**DESCRIPTION**

FIG. 1 is a top perspective view of a bowl and tray unit assembly, showing our new design;  
FIG. 2 is a bottom perspective view thereof;  
FIG. 3 is a front elevation view thereof;  
FIG. 4 is a rear elevation view thereof;  
FIG. 5 is a left elevation view thereof;  
FIG. 6 is a right elevation view thereof;  
FIG. 7 is a top plan view thereof; and,  
FIG. 8 is a bottom plan view thereof.  
The broken lines showing tray elements is included for the purpose of illustrating portions of the tray and forms no part of the claimed design.

**1 Claim, 8 Drawing Sheets**



(56)

**References Cited**

U.S. PATENT DOCUMENTS

D707,494 S *	6/2014	Weber .....	D7/555
D720,629 S *	1/2015	Snedden .....	D9/425
D723,391 S *	3/2015	Snedden .....	D9/425
D723,392 S *	3/2015	Sifuentes .....	D9/425
D728,383 S *	5/2015	Sifuentes .....	D9/425

\* cited by examiner

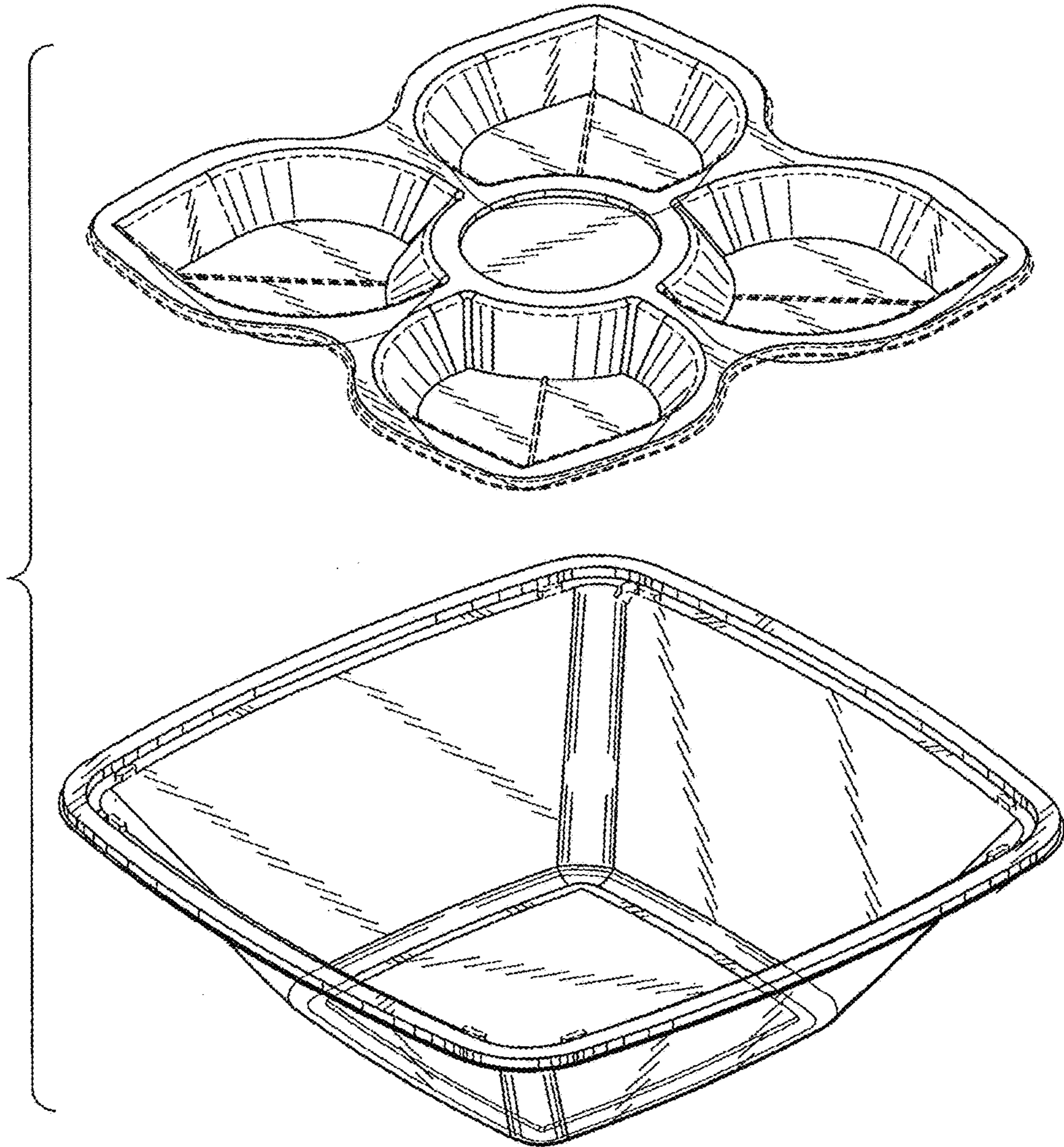


Fig. 1

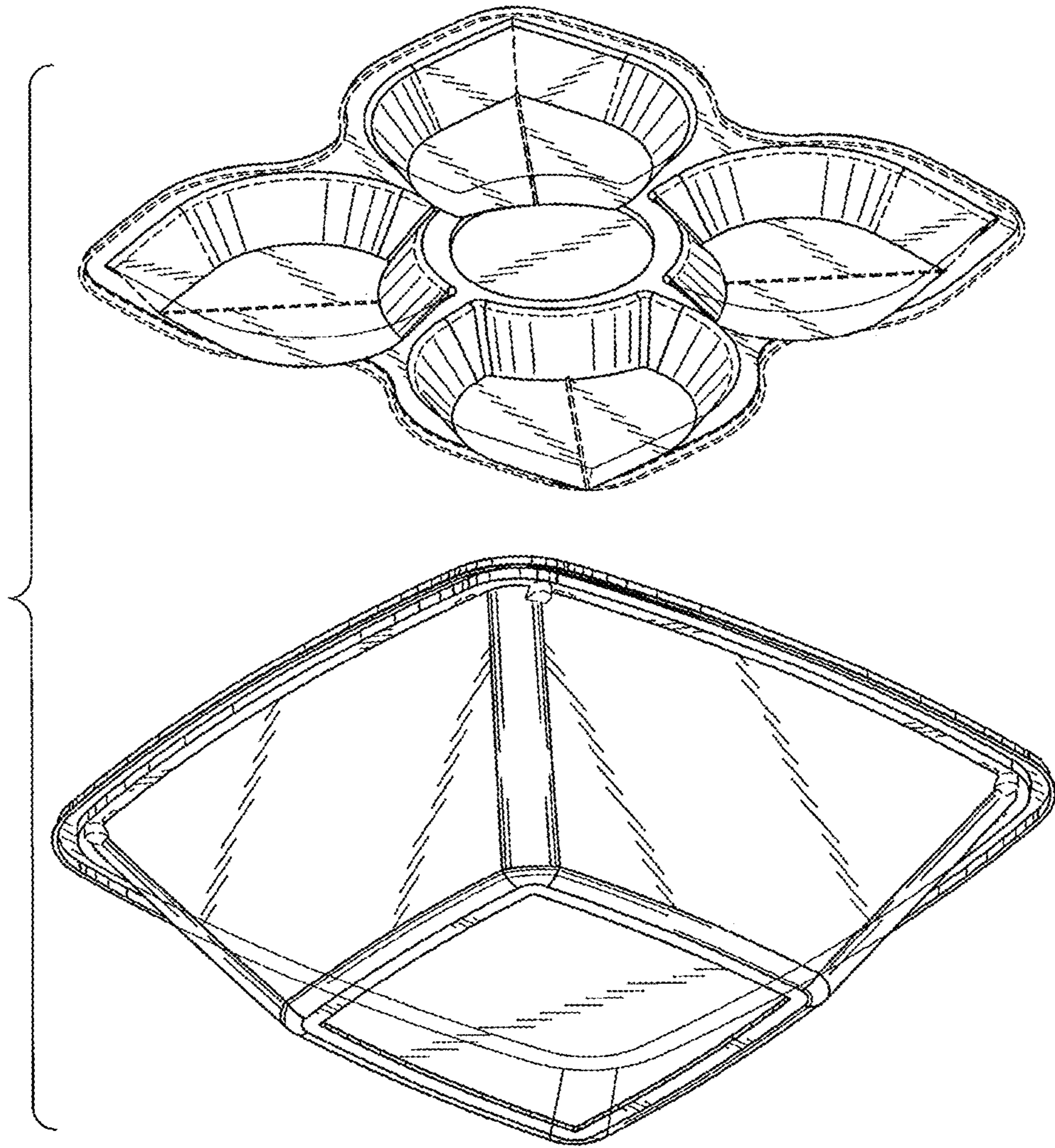


Fig.2

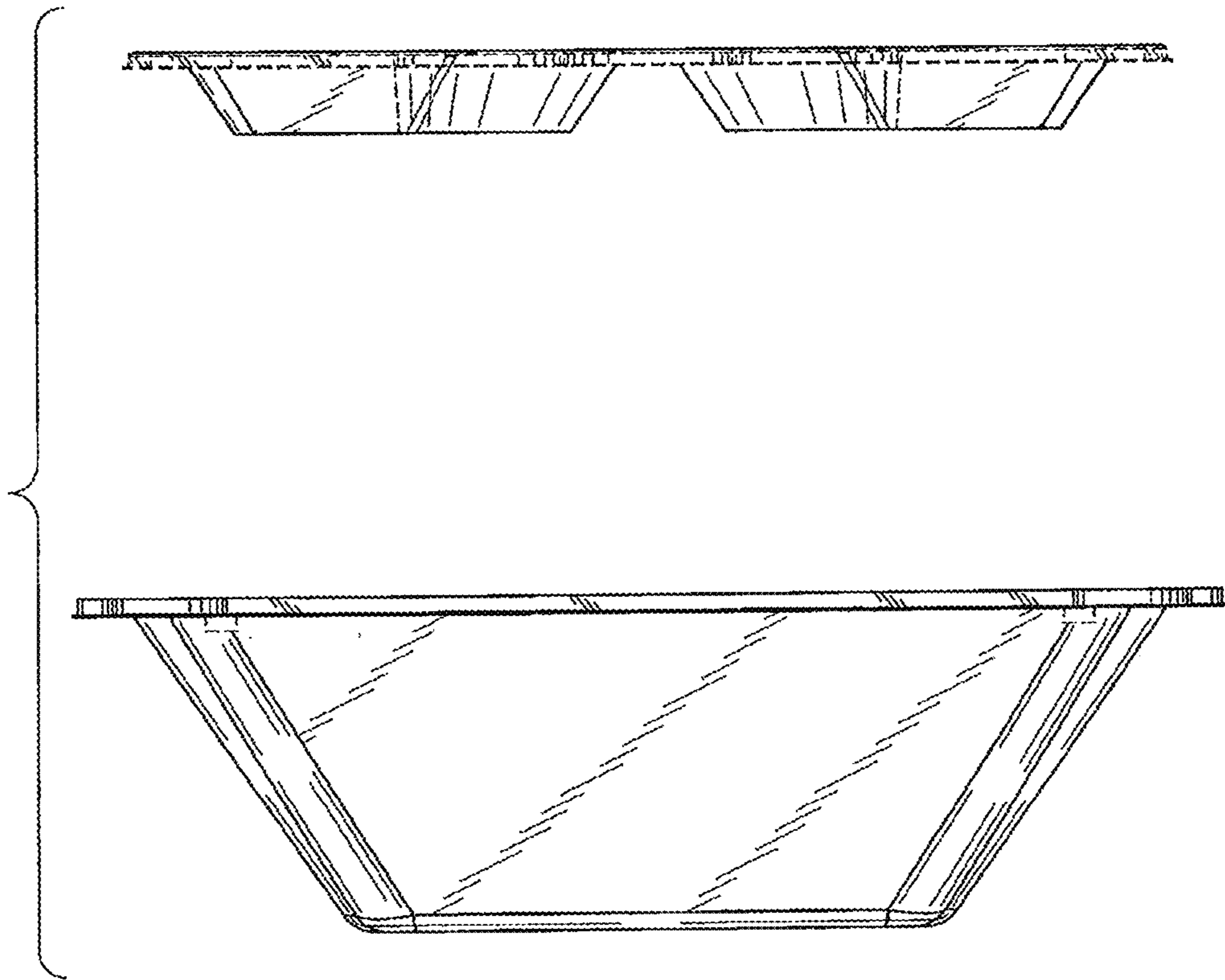


Fig.3

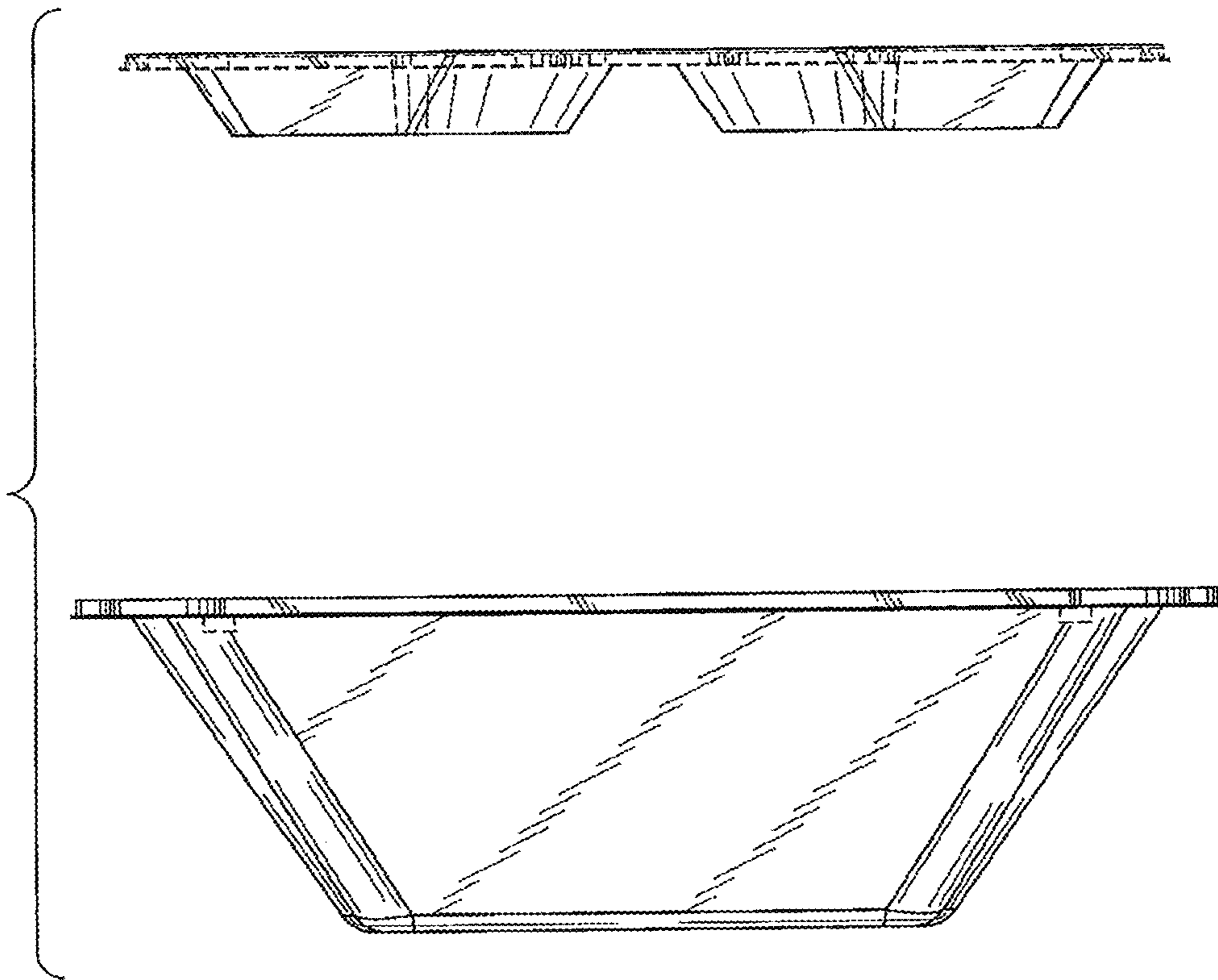


Fig.4

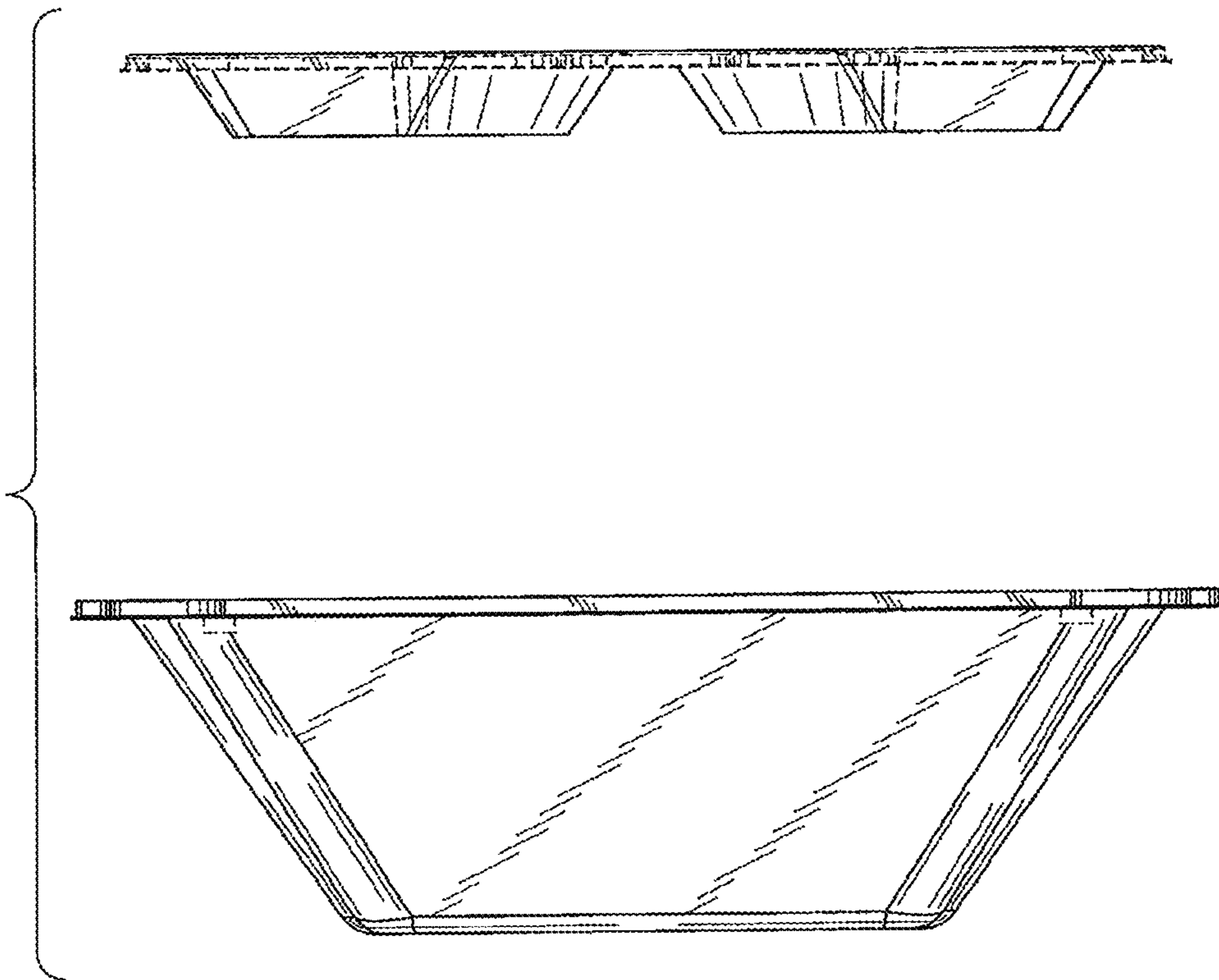


Fig.5

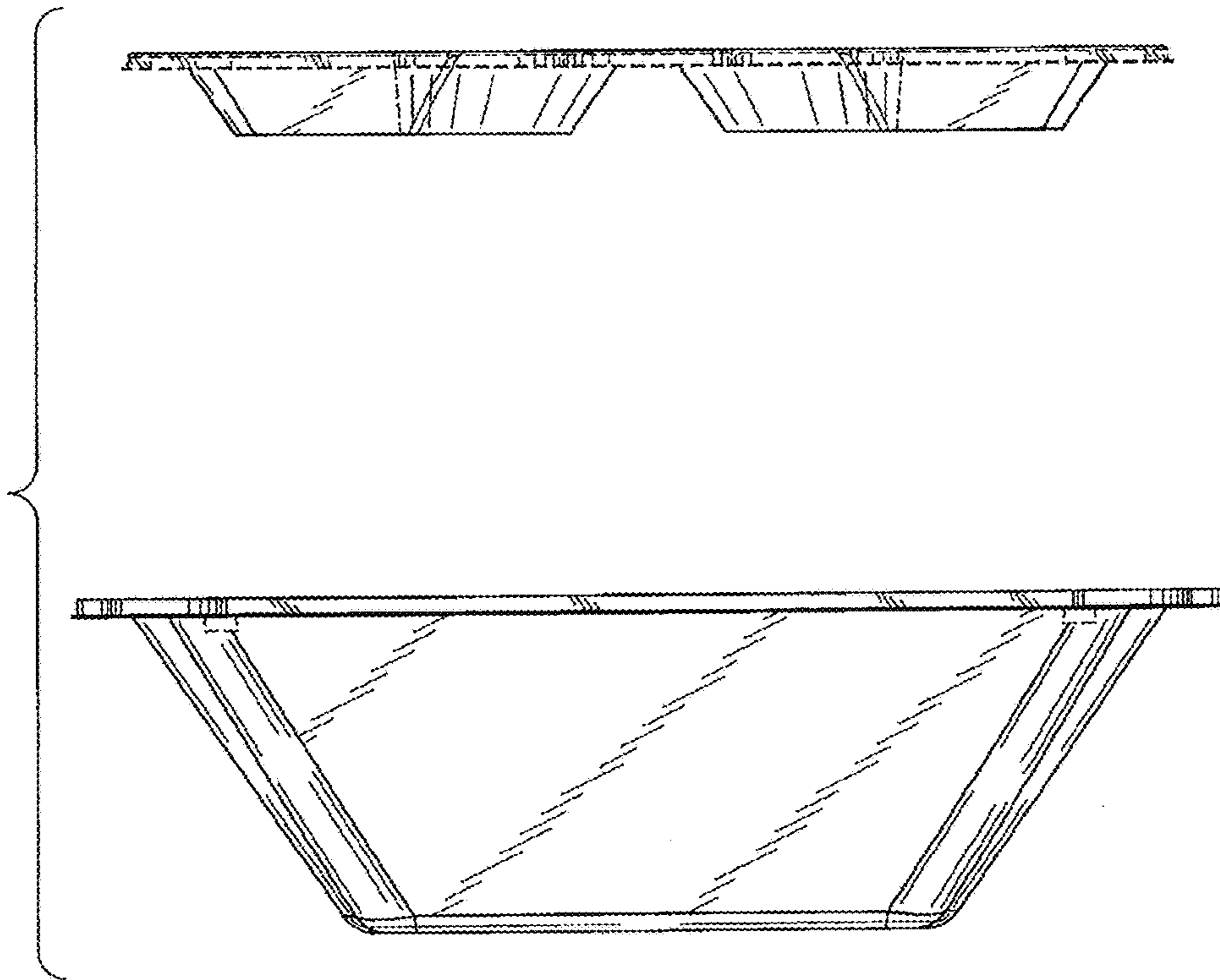


Fig. 6



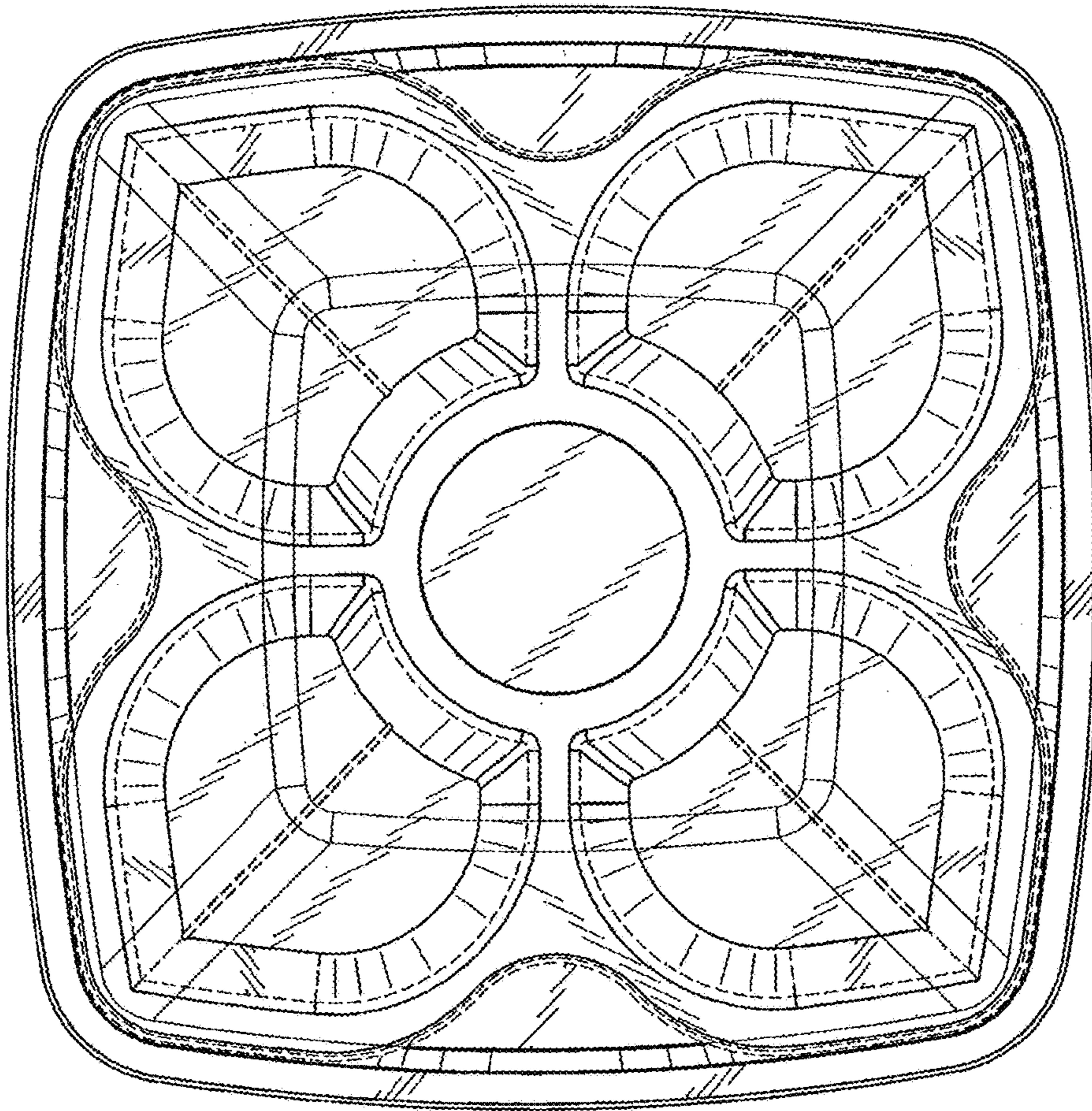


Fig. 7

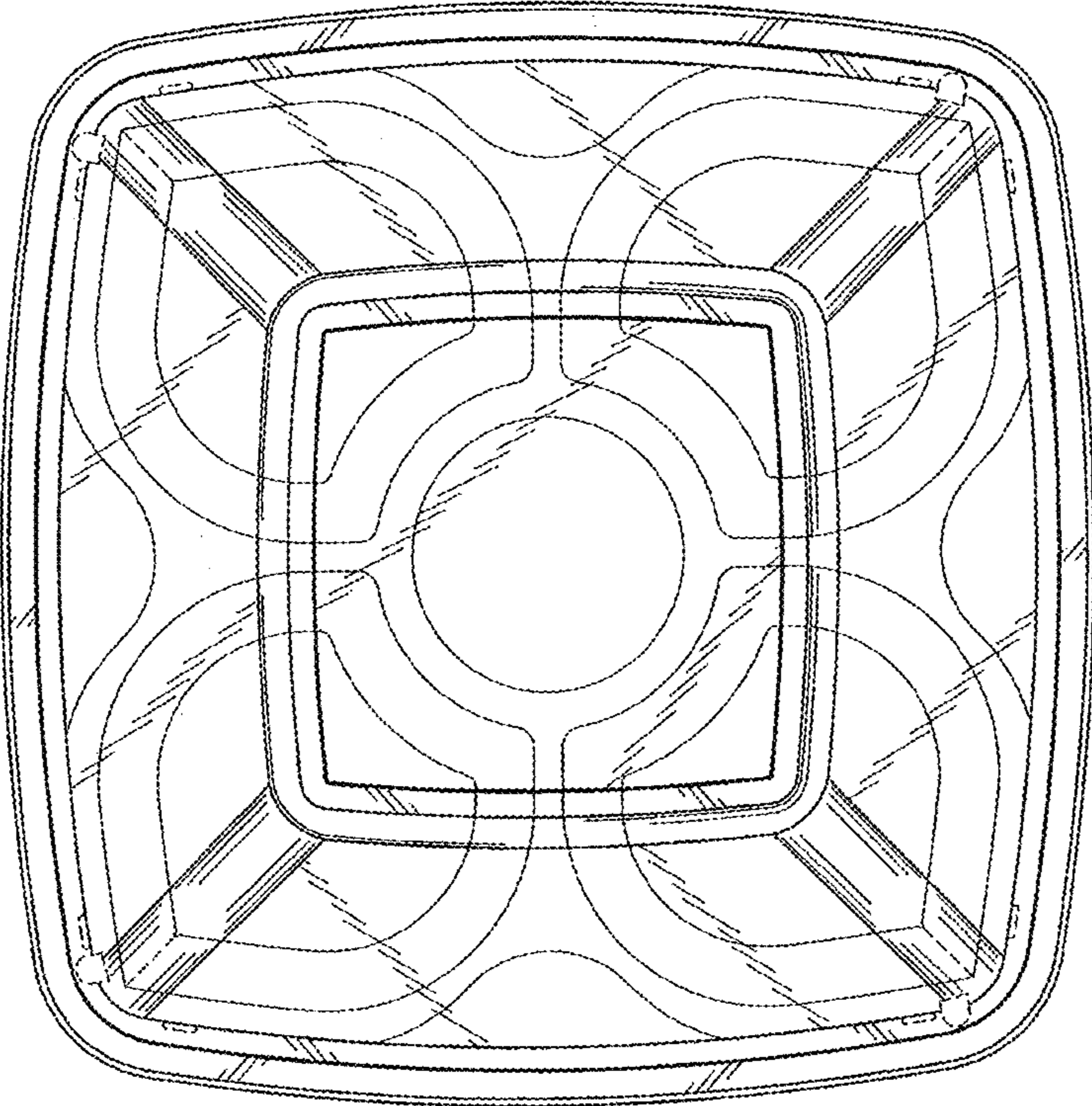


Fig.8