



US00D799328S

(12) **United States Design Patent** (10) **Patent No.:** **US D799,328 S**
Canamasas Puigbo (45) **Date of Patent:** **** Oct. 10, 2017**

- (54) **JAR**
- (71) Applicant: **Plasticos Faca S.A.**, Cornella De Llobregat (ES)
- (72) Inventor: **Aniceto Canamasas Puigbo**, Cornella De Llobregat (ES)
- (73) Assignee: **PLASTICOS FACSA S.A.**, Cornella De Llobregat (Barcelona) (ES)
- (**) Term: **15 Years**
- (21) Appl. No.: **29/543,918**
- (22) Filed: **Oct. 29, 2015**
- (51) **LOC (10) Cl.** **09-01**
- (52) **U.S. Cl.**
USPC **D9/529**
- (58) **Field of Classification Search**
USPC D9/432, 516, 530, 537, 540, 548, 549, D9/550, 552, 557, 560, 575; D28/85; 132/293; 215/381-385, 396, 398; 220/296, 288, 300, 669, 675
CPC B65D 1/00; B65D 1/02; B65D 1/0223; B65D 1/0246; B65D 41/00; B65D 41/02; B65D 41/04; B65D 2501/00; B65D 2501/0009
See application file for complete search history.

- D543,453 S * 5/2007 Fu D21/392
- D573,887 S * 7/2008 Bouroullec D9/529
- D668,143 S * 10/2012 Akana D14/496
- D709,652 S * 7/2014 Teller D28/83
- D710,205 S * 8/2014 Moretti D9/529

OTHER PUBLICATIONS

“Carla,” ABA Packaging Corporation Catalog (2011 ed. p. 22). Acrylic Jar. Holtsville, N.Y: PTO Design Library, D9 section., 2011. Print.*
Cosmetic Solutions Square Acrylic Jar, announced Oct. 2012, [online], site visited Dec. 27, 2016. Available from Internet, <URL: <http://www.naturalskincare.com>>.*
“Octavia,” ABA Packaging Corporation Catalog (2009 ed. p. 68). Acrylic Jar. Holtsville, N.Y: PTO Design Library, D9 section., 2009. Print.*

* cited by examiner

Primary Examiner — Derrick Holland
Assistant Examiner — Janice Lim
(74) *Attorney, Agent, or Firm* — Lucas & Mercanti, LLP

(57) **CLAIM**

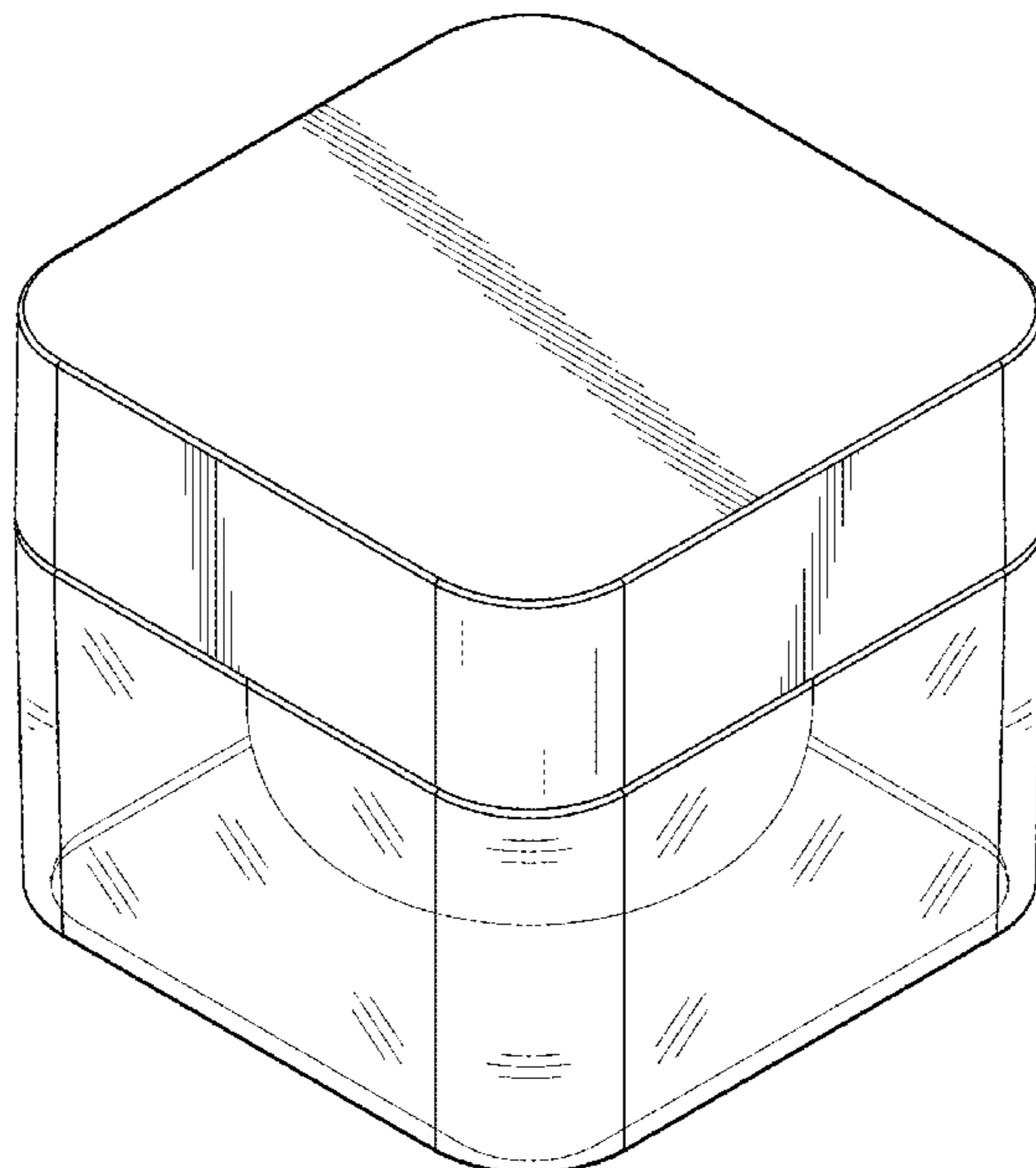
The ornamental design for a jar, as shown and described.

DESCRIPTION

FIG. 1 is a perspective view of a jar showing my new design; FIG. 2 is a side view thereof; FIG. 3 is a bottom view thereof; FIG. 4 is a top view thereof; FIG. 5 is another perspective view thereof, shown with the cap in opened condition; and, FIG. 6 is an exploded view thereof.
The broken line portions show unclaimed subject matter only and form no part of the claimed design.

1 Claim, 6 Drawing Sheets

- (56) **References Cited**
U.S. PATENT DOCUMENTS
D171,516 S * 2/1954 Otto D9/560
D478,513 S * 8/2003 Canamasas Puigbo D9/529
D532,937 S * 11/2006 Noh D28/76
D540,688 S * 4/2007 Lascaux D9/560
D540,689 S * 4/2007 Dorfmueller D9/560



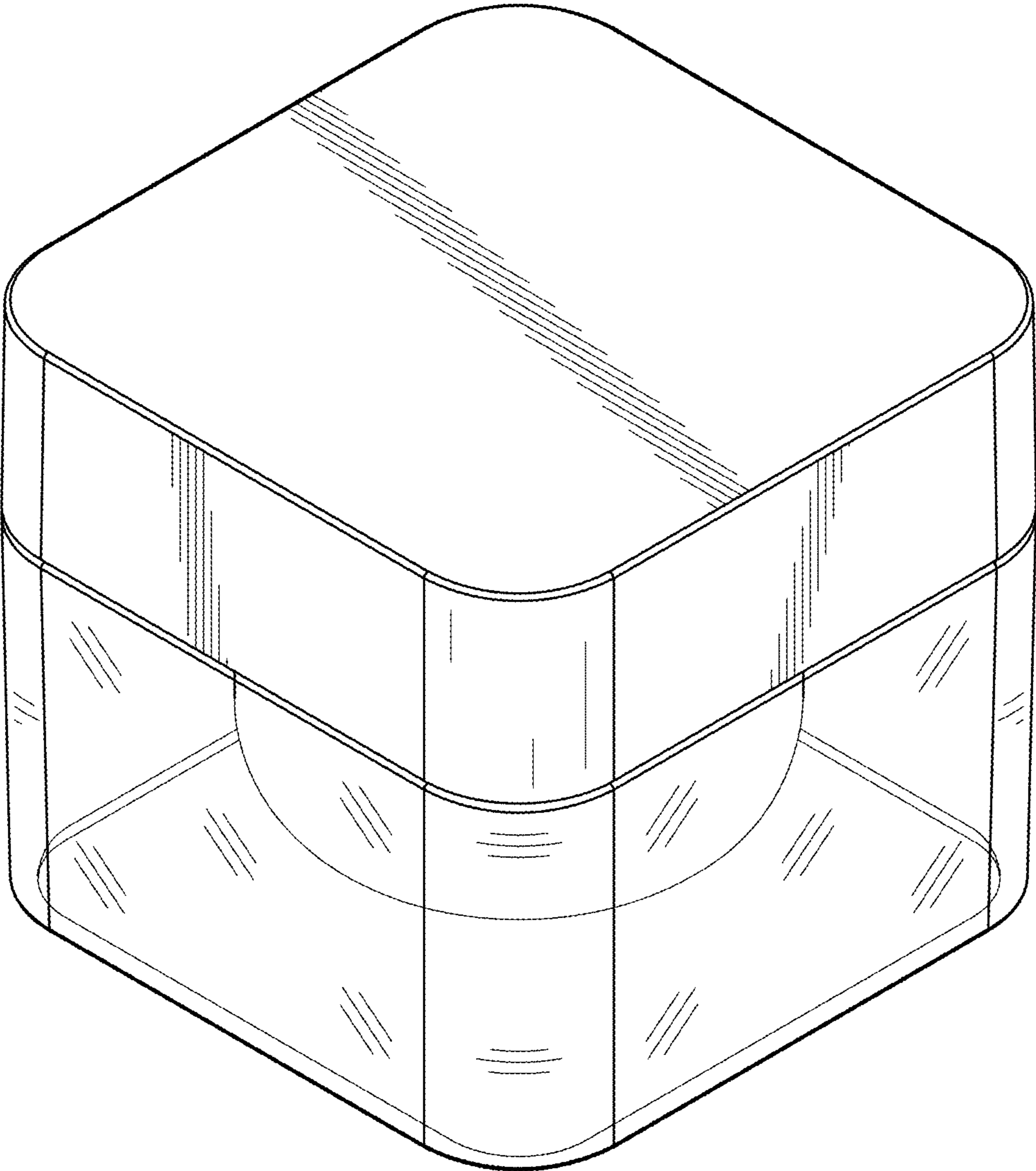


FIG. 1

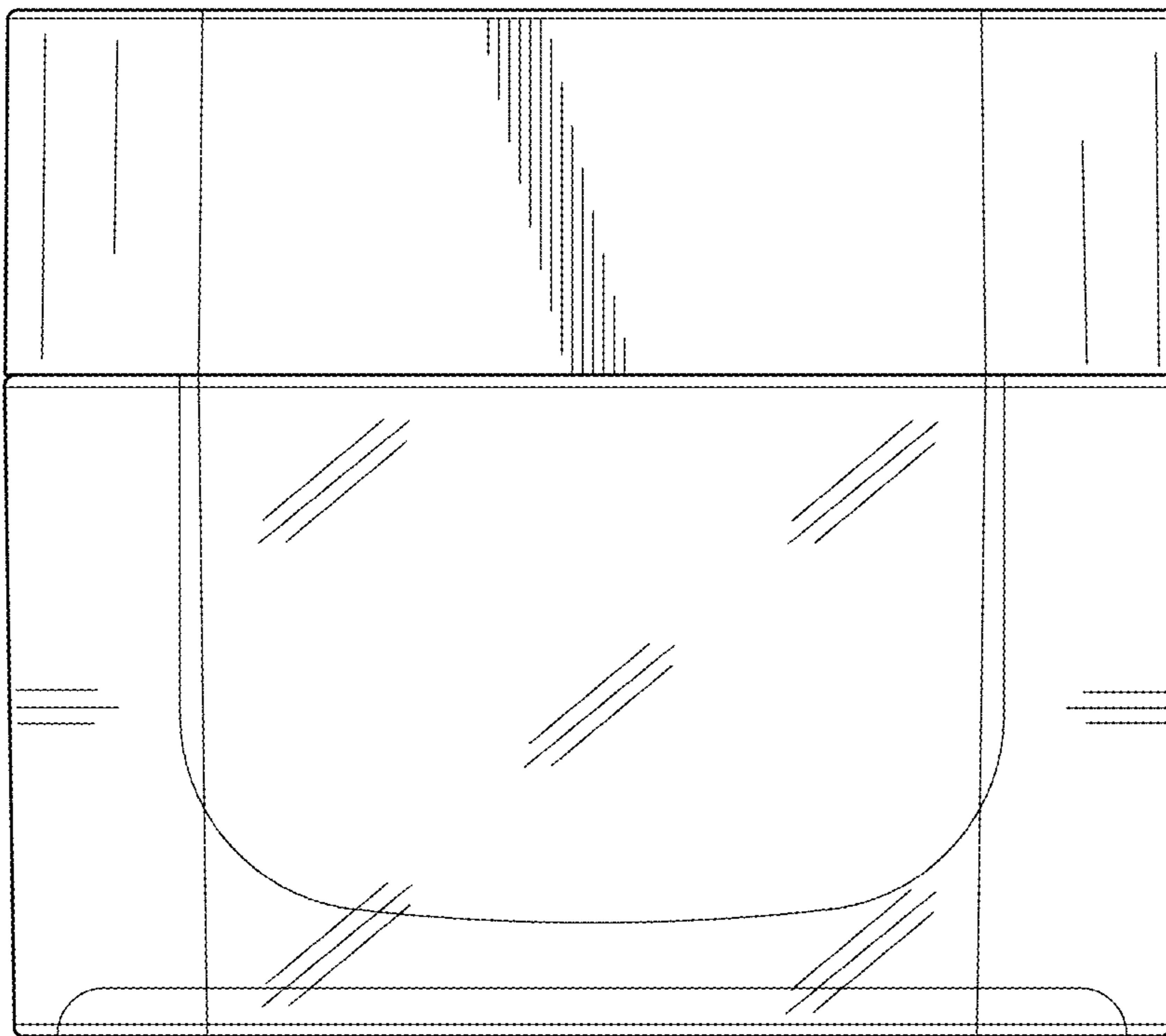


FIG. 2

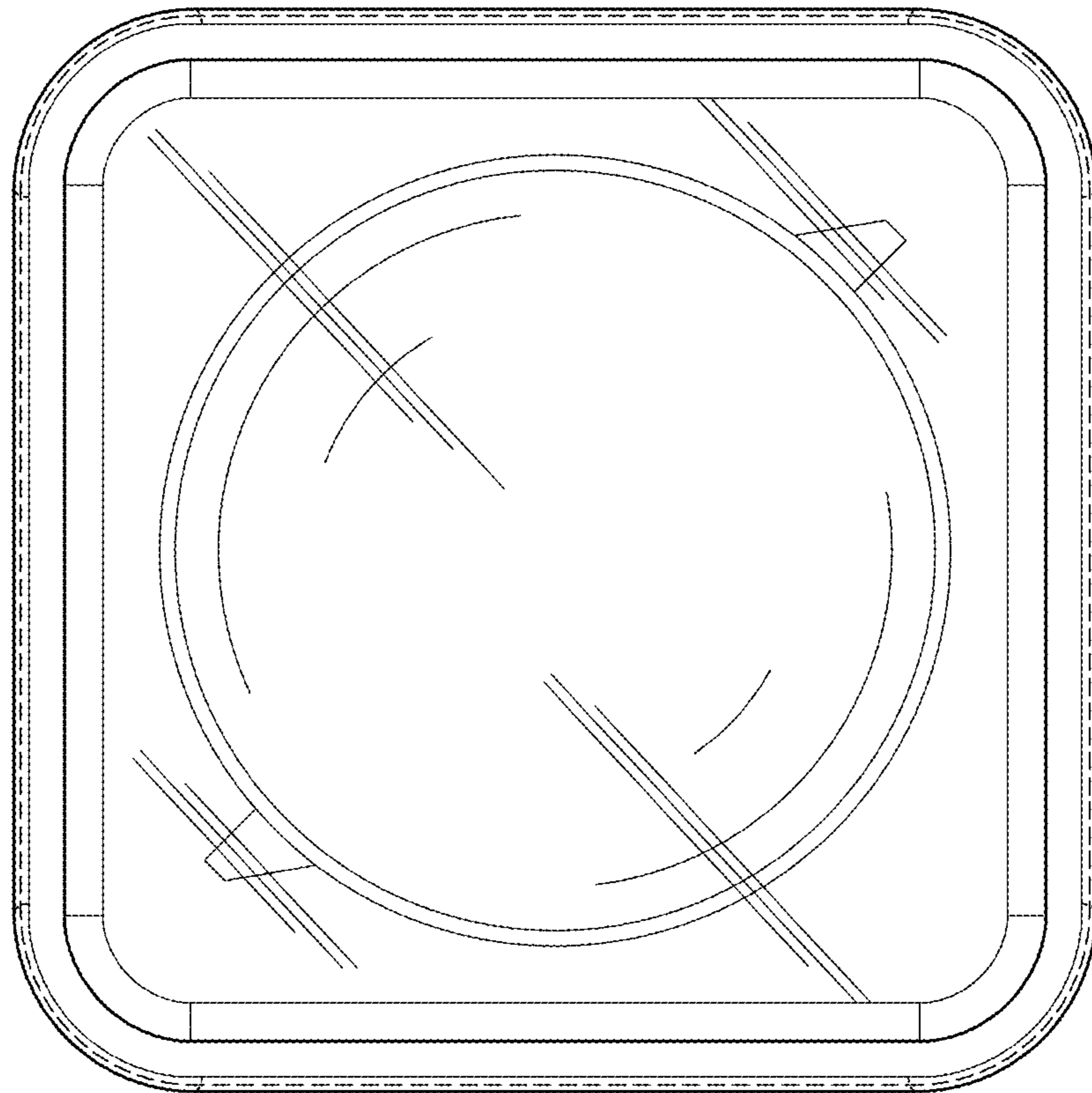


FIG. 3

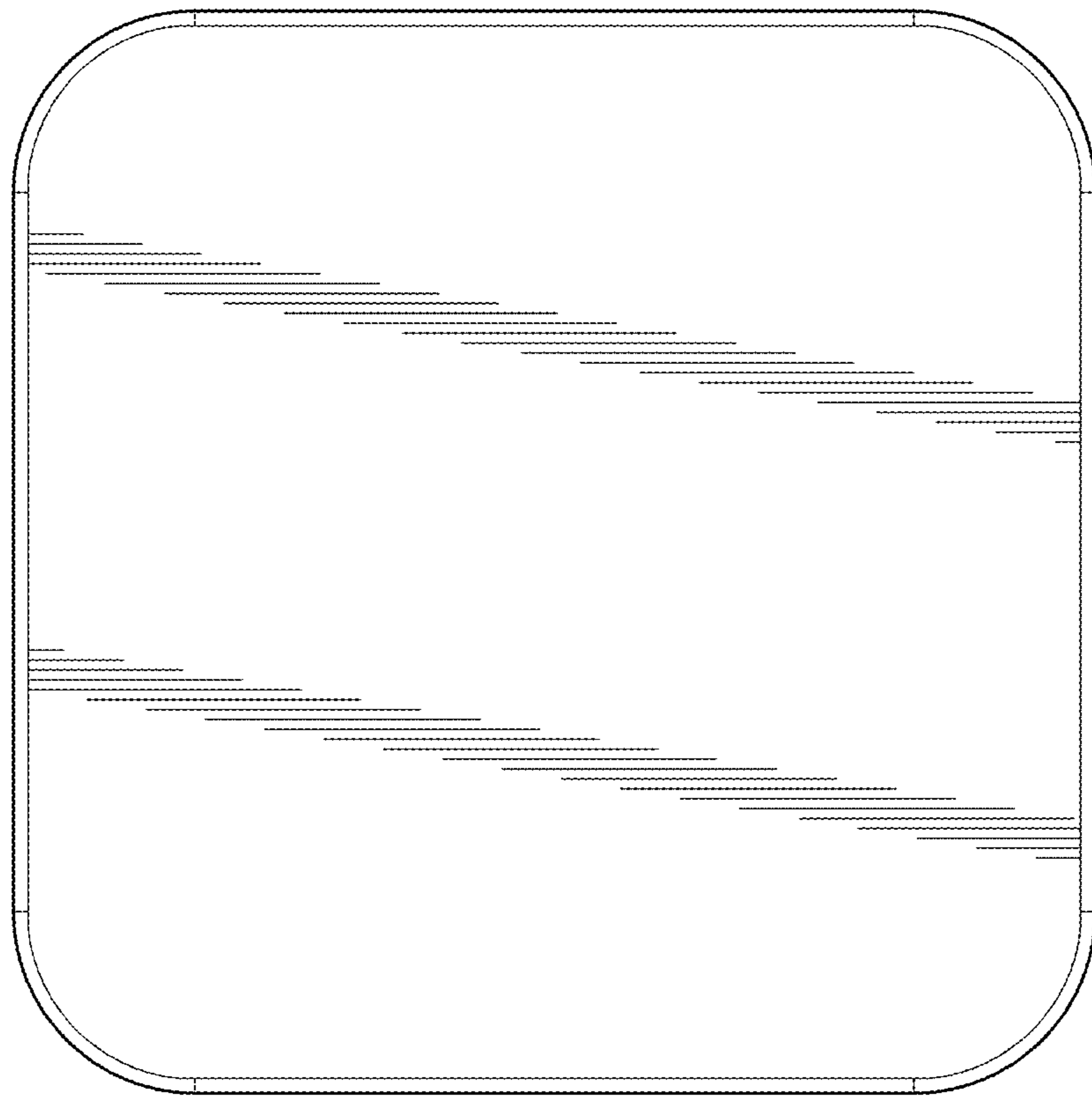


FIG. 4

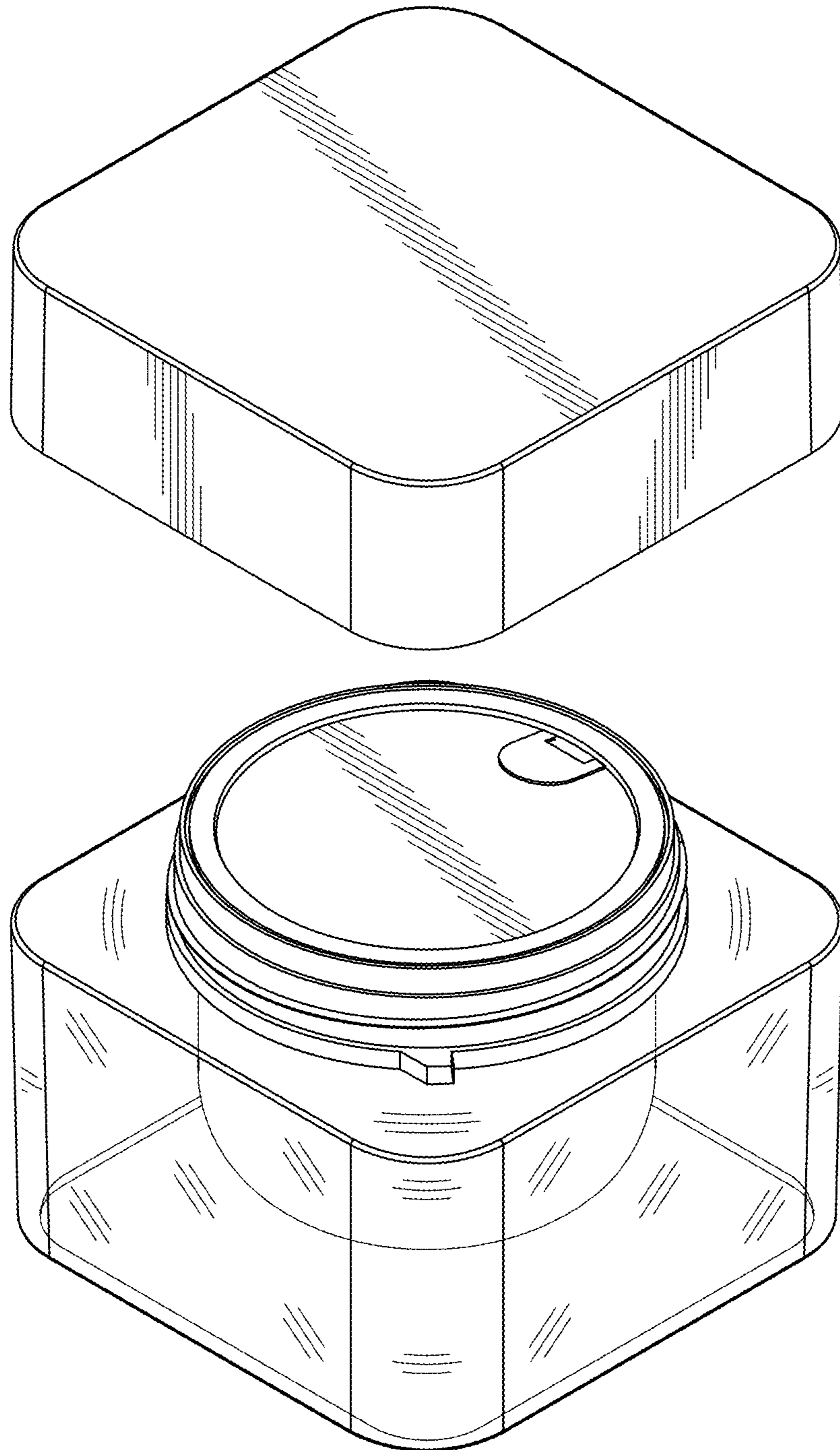


FIG. 5

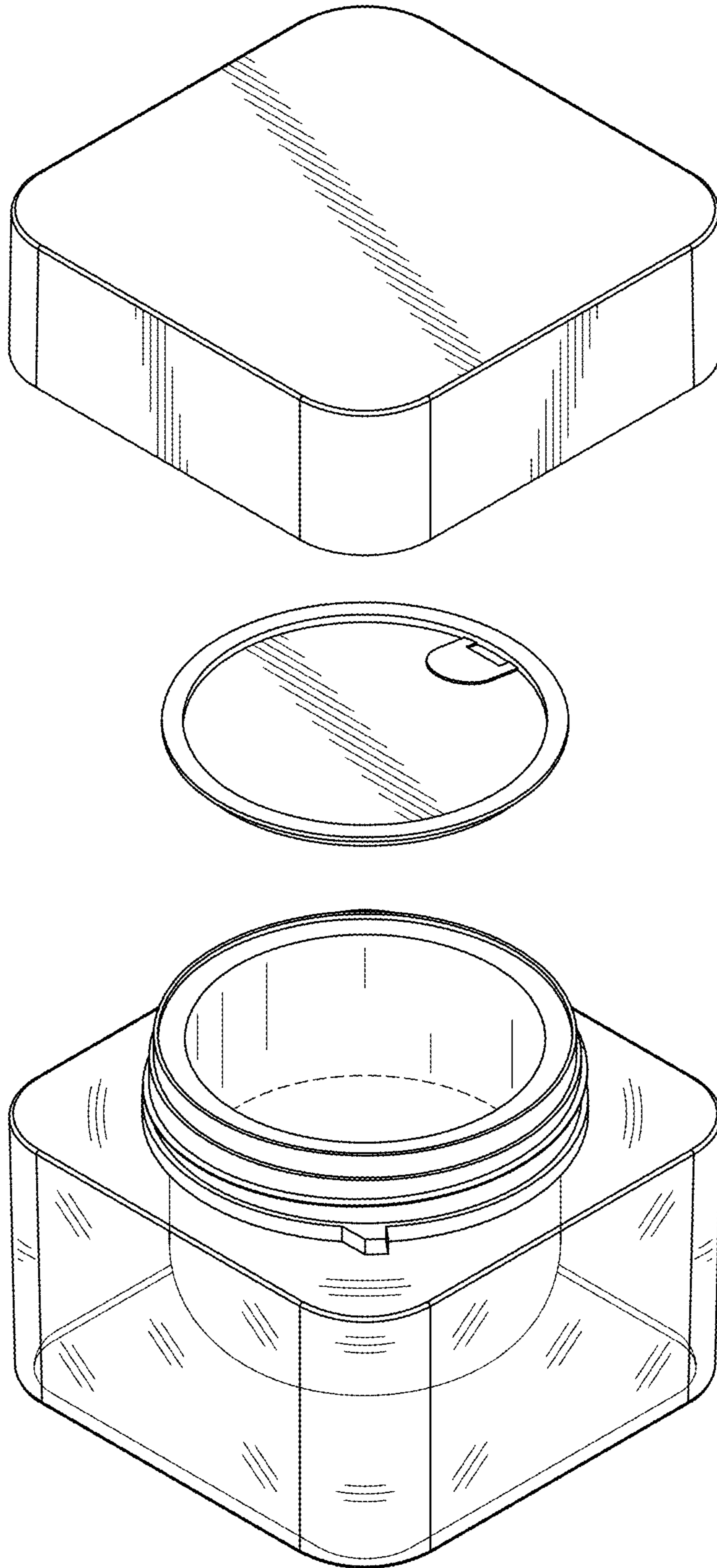


FIG. 6