



US00D799322S

(12) **United States Design Patent**  
**Tamarindo**

(10) **Patent No.:** **US D799,322 S**

(45) **Date of Patent:** **\*\* Oct. 10, 2017**

(54) **CAP FOR CONTAINERS ESPECIALLY FOR BOTTLES OR POUCHES**

(71) Applicant: **GUALA PACK S.P.A.**, Castellazzo Bormida, Alessandria (IT)

(72) Inventor: **Stefano Tamarindo**, Alessandria (IT)

(73) Assignee: **Guala Pack S.p.A.**, Castellazzo Bormida (IT)

(\*\*) Term: **15 Years**

(21) Appl. No.: **35/500,780**

(22) Filed: **Jan. 13, 2016**

(80) **Hague Agreement Data**

Int. Filing Date: **Jan. 13, 2016**  
Int. Reg. No.: **DM/089862**  
Int. Reg. Date: **Jan. 13, 2016**  
Int. Reg. Pub. Date: **Apr. 1, 2016**

(30) **Foreign Application Priority Data**

Jul. 27, 2015 (IT) ..... 402015000038455

(51) **LOC (10) Cl.** ..... **09-07**

(52) **U.S. Cl.**  
USPC ..... **D9/451**

(58) **Field of Classification Search**  
USPC ..... D9/600, 672-674, 434-435, 441-443, D9/451; D7/514-520, 613, 619.2, 623, D7/628, 392.1  
CPC ..... B65D 47/06; B65D 47/00; B65D 25/40; B65D 35/38

See application file for complete search history.

(56) **References Cited**

**U.S. PATENT DOCUMENTS**

1,489,808 A \* 4/1924 Asbury ..... F03G 1/08 185/43  
2,707,861 A \* 5/1955 Junghans ..... G04B 3/02 368/214

3,050,900 A \* 8/1962 Kripak ..... A63H 11/10 446/293  
3,168,318 A \* 2/1965 Lea ..... G11B 3/08509 369/245  
D370,709 S \* 6/1996 John ..... D23/260  
D608,949 S \* 1/2010 Rockaitis ..... D2/626  
D682,693 S \* 5/2013 Cocuzzi ..... D9/443  
D687,719 S \* 8/2013 Last ..... D9/709  
D704,058 S \* 5/2014 Last ..... D9/443  
D743,255 S \* 11/2015 Niggemyer ..... D9/435  
2006/0001284 A1 \* 1/2006 Stephenson ..... B60R 13/005 296/1.08

**FOREIGN PATENT DOCUMENTS**

GB 190008279 A \* 0/1901  
GB 695167 A \* 8/1953 ..... G04B 3/04

\* cited by examiner

*Primary Examiner* — Michael A Pratt  
(74) *Attorney, Agent, or Firm* — Thomas | Horstemeyer, LLP

(57) **CLAIM**

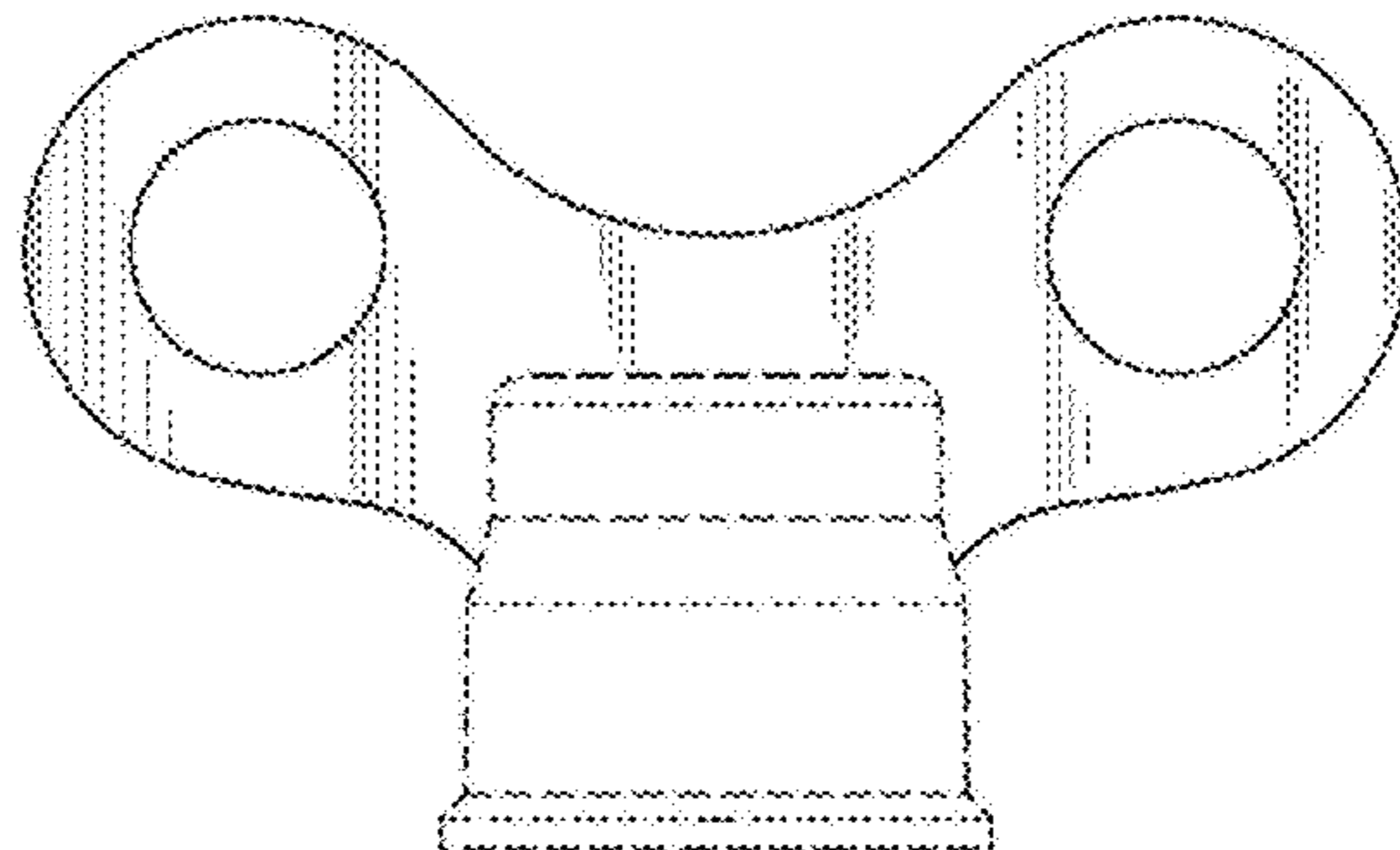
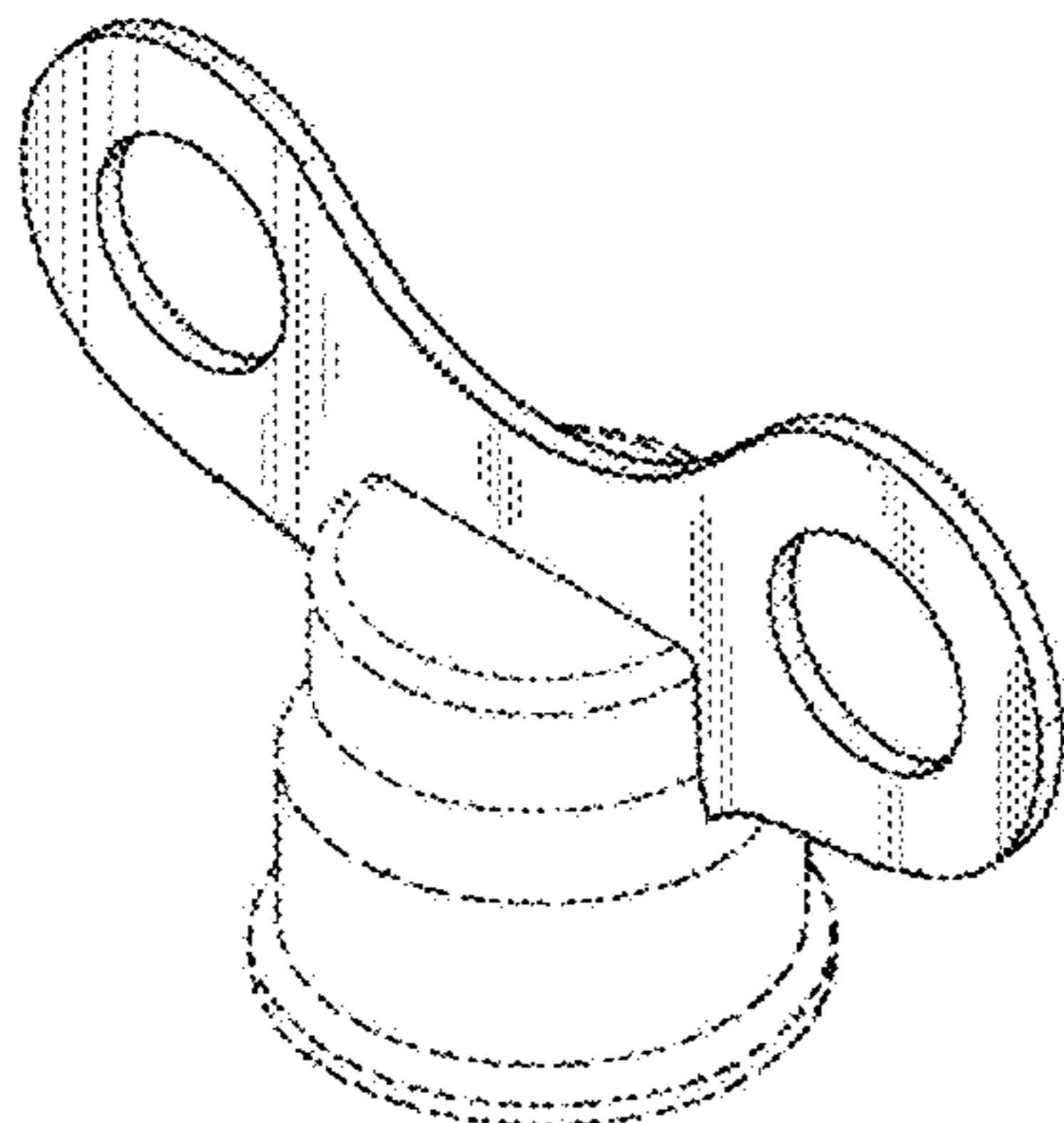
The ornamental design for a cap for containers especially for bottles or pouches, as shown and described.

**DESCRIPTION**

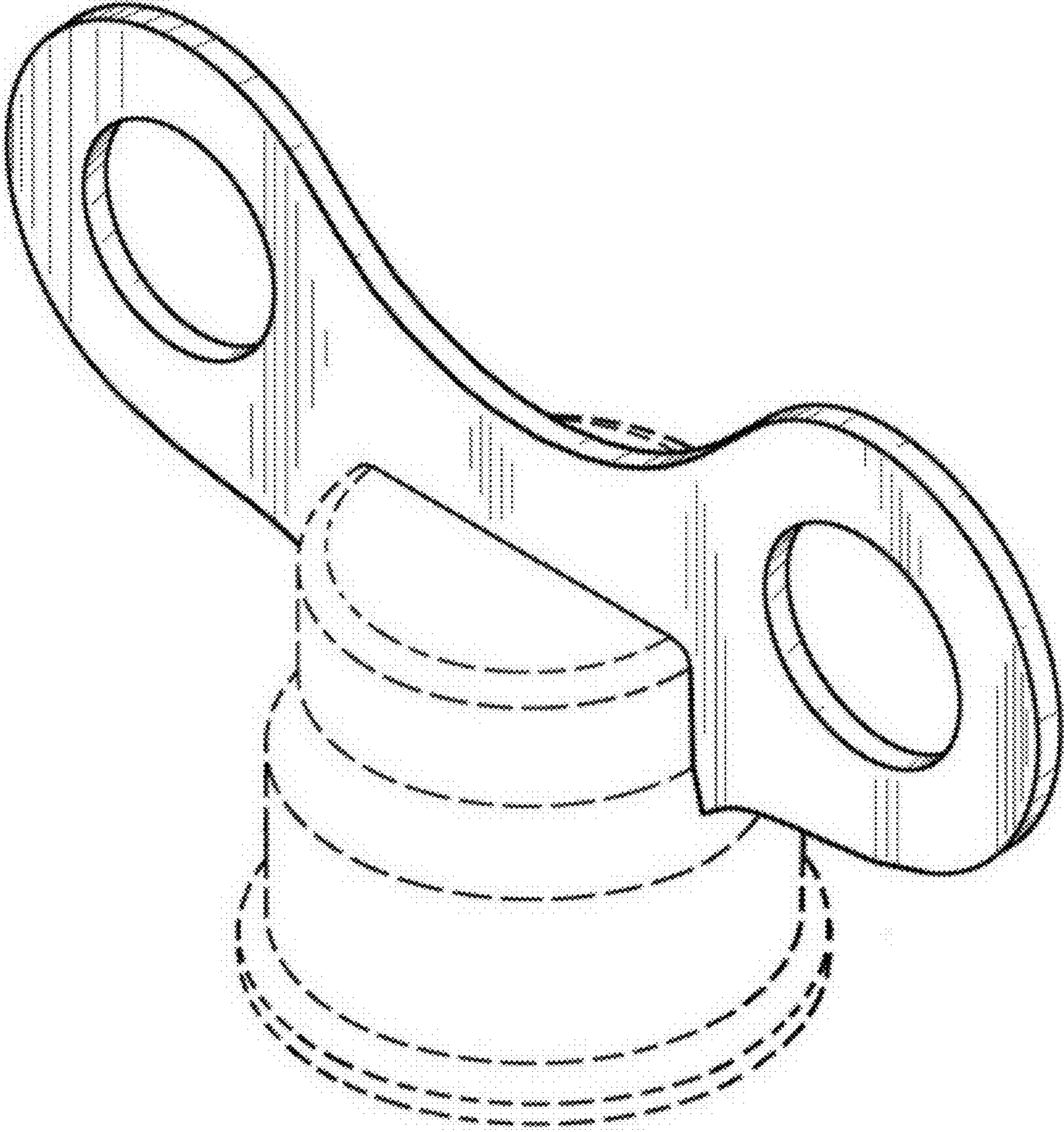
1. Cap for containers especially bottles or pouches  
**1.1** is a perspective view;  
**1.2** is a front view thereof;  
**1.3** is a rear view thereof, opposite that of **1.2**;  
**1.4** is a side view thereof  
**1.5** is a side view thereof, opposite that of **1.4**;  
**1.6** is a top view thereof;  
**1.7** is a bottom view thereof.

The broken lines in views **1.1** through **1.7** show portions of the cap for containers that do not form a part of the claimed design and are for the purposes of illustrating the environment only.

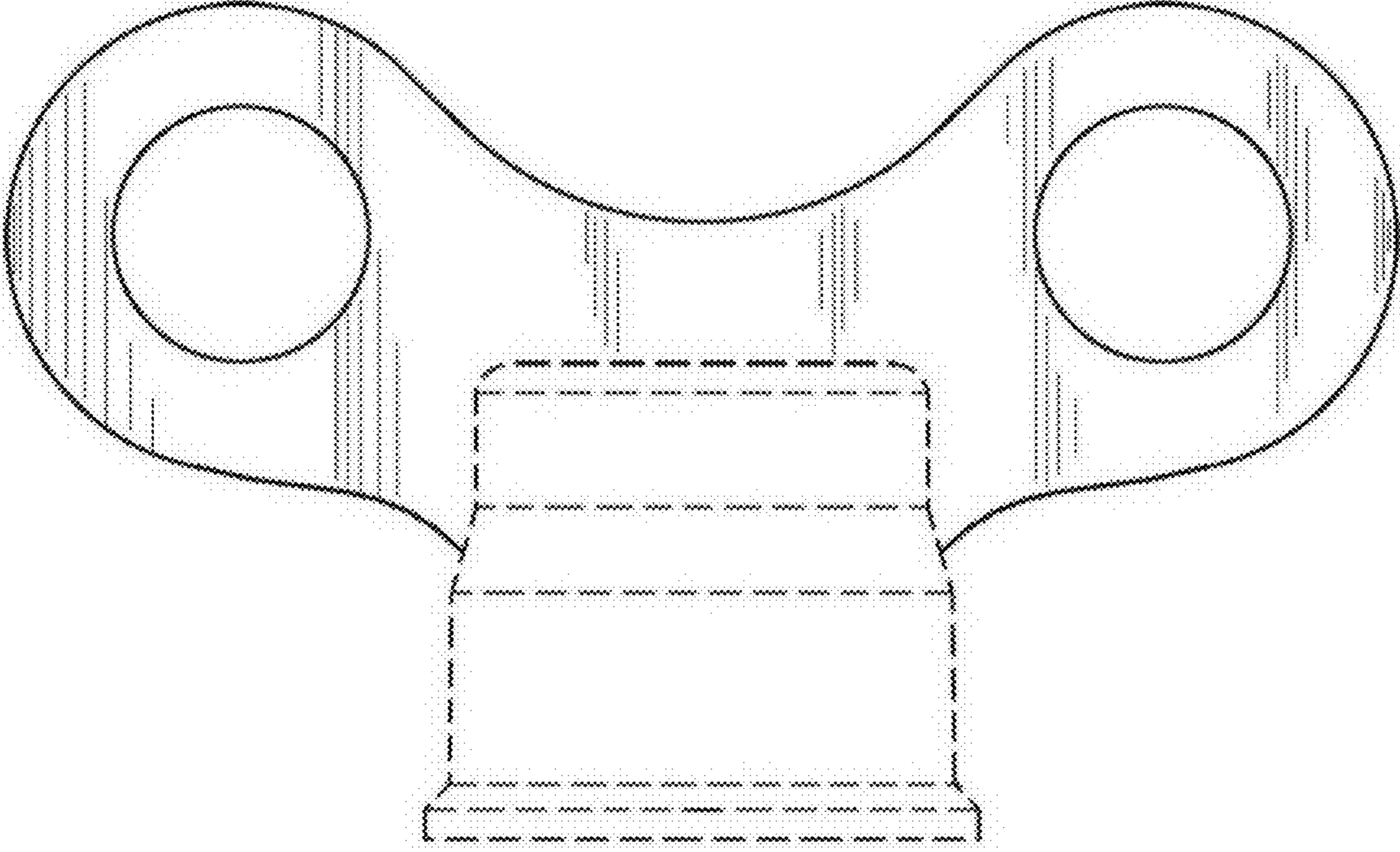
**1 Claim, 7 Drawing Sheets**



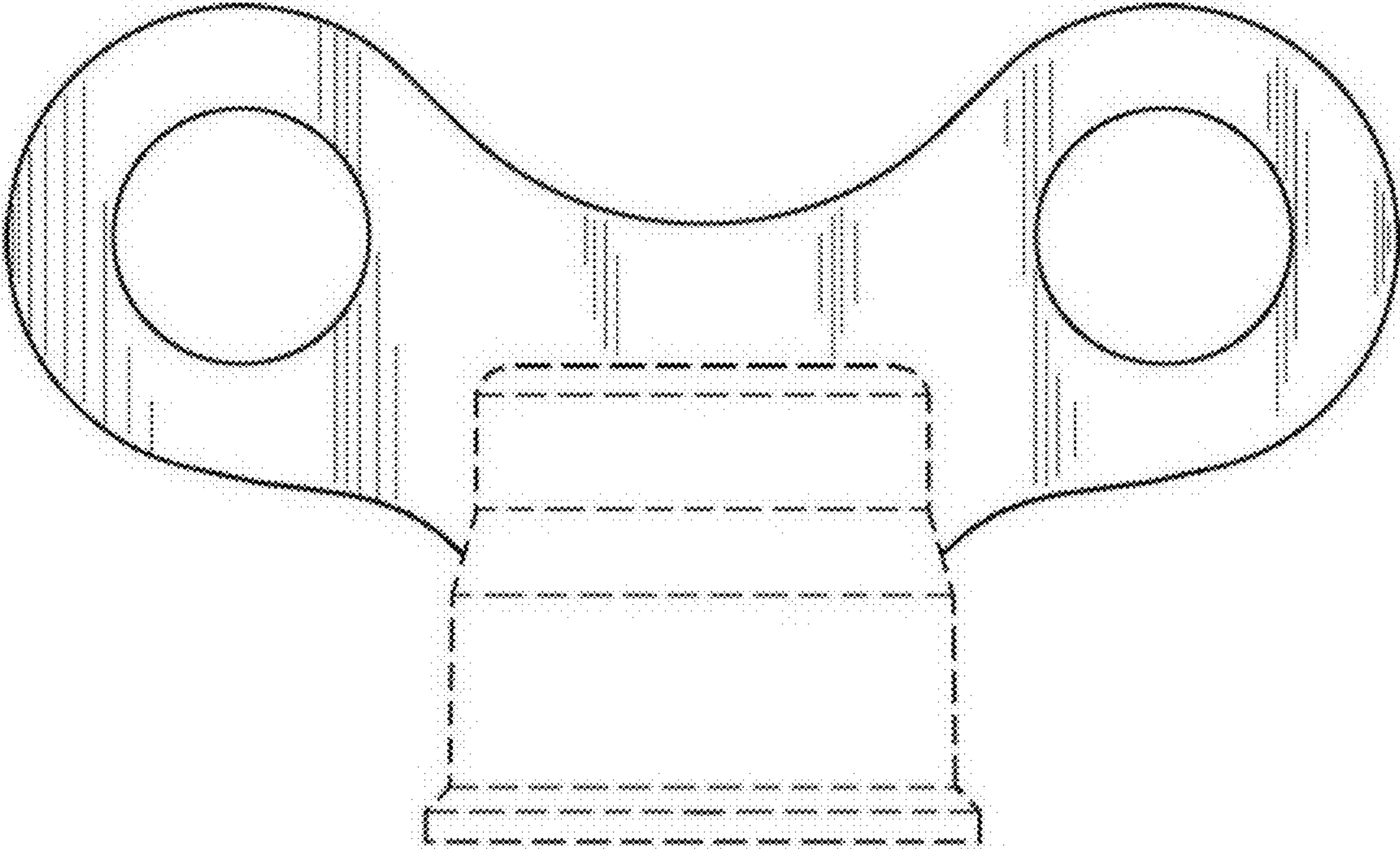
1.1



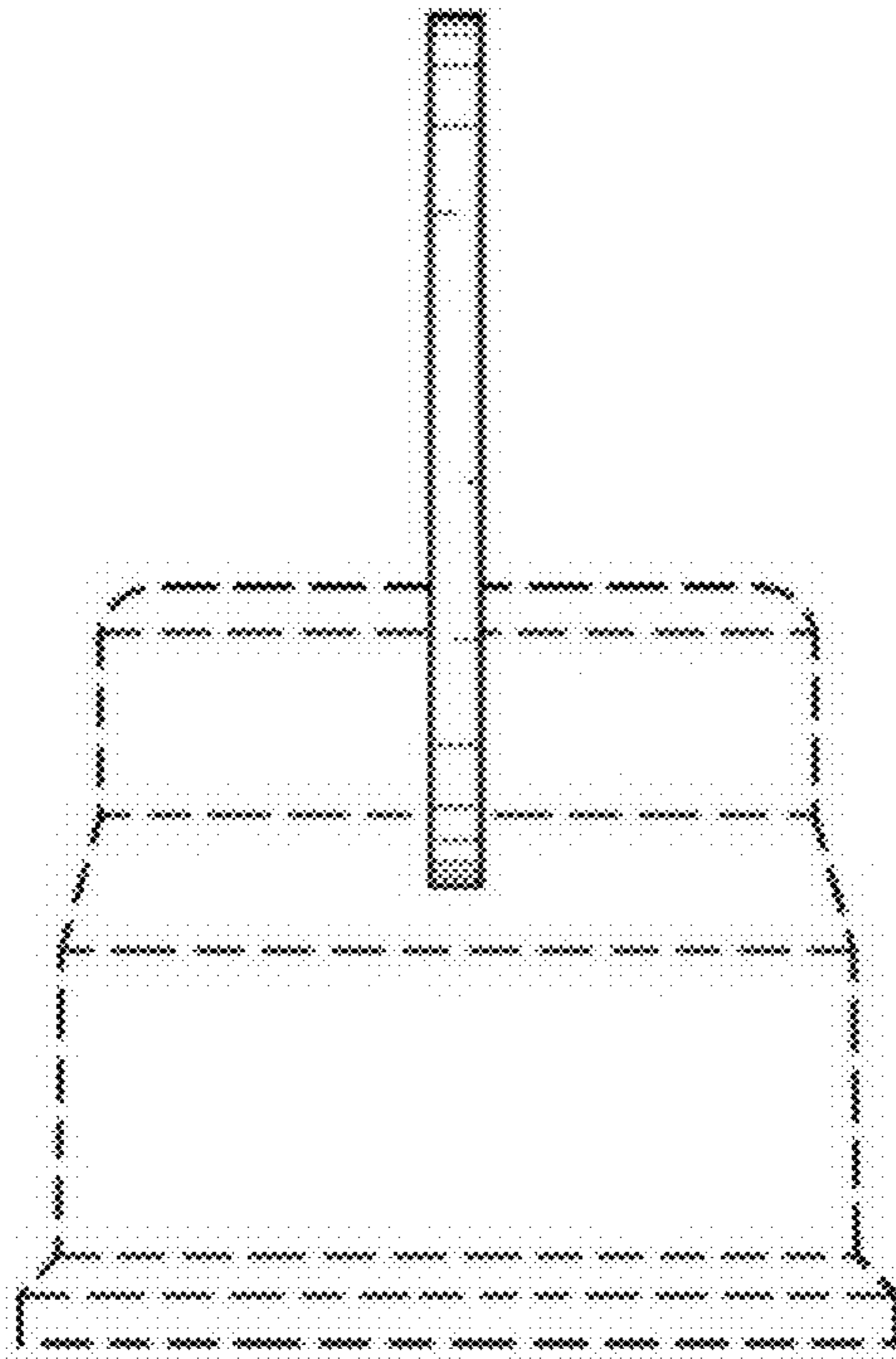
1.2



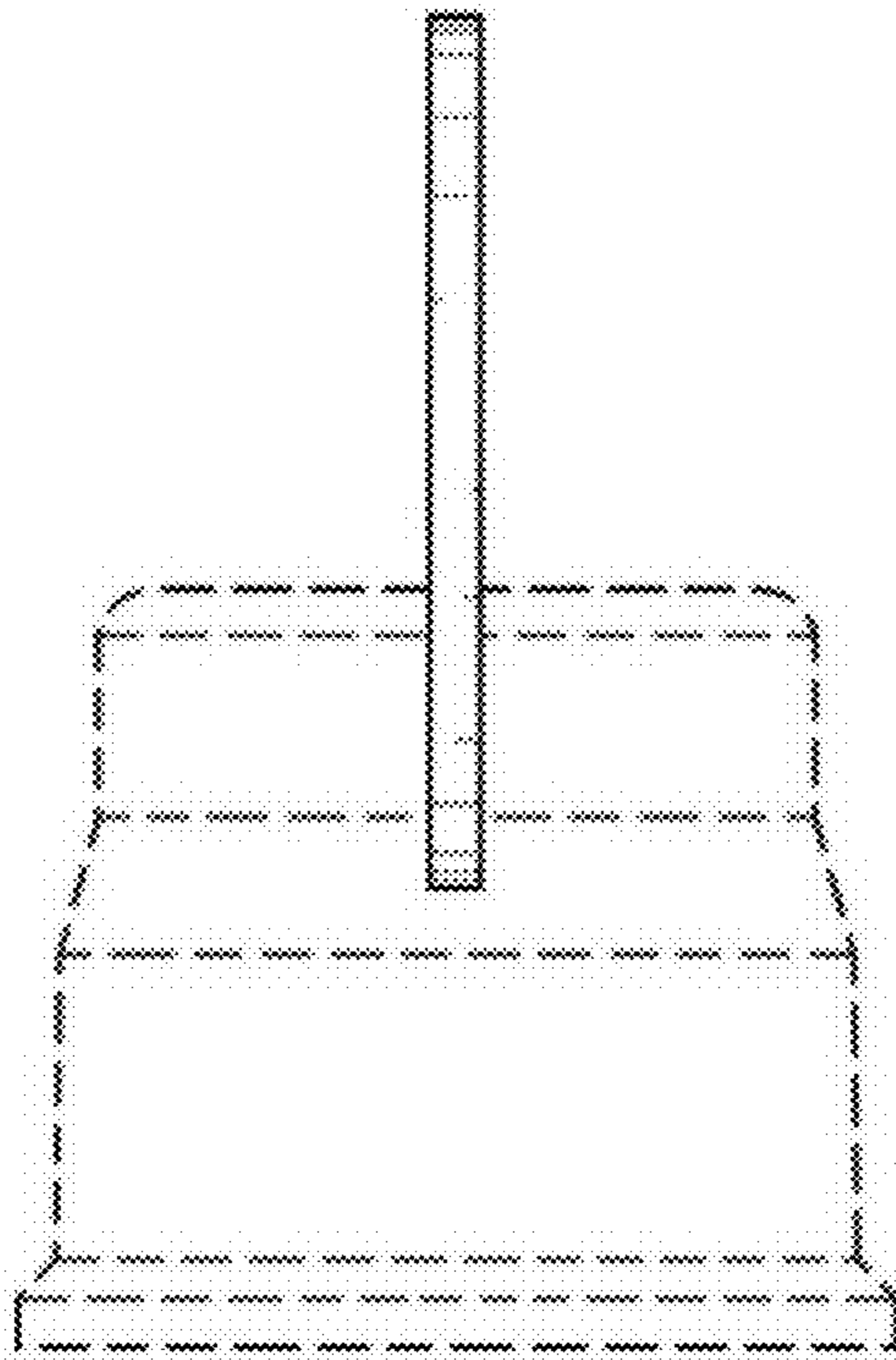
1.3



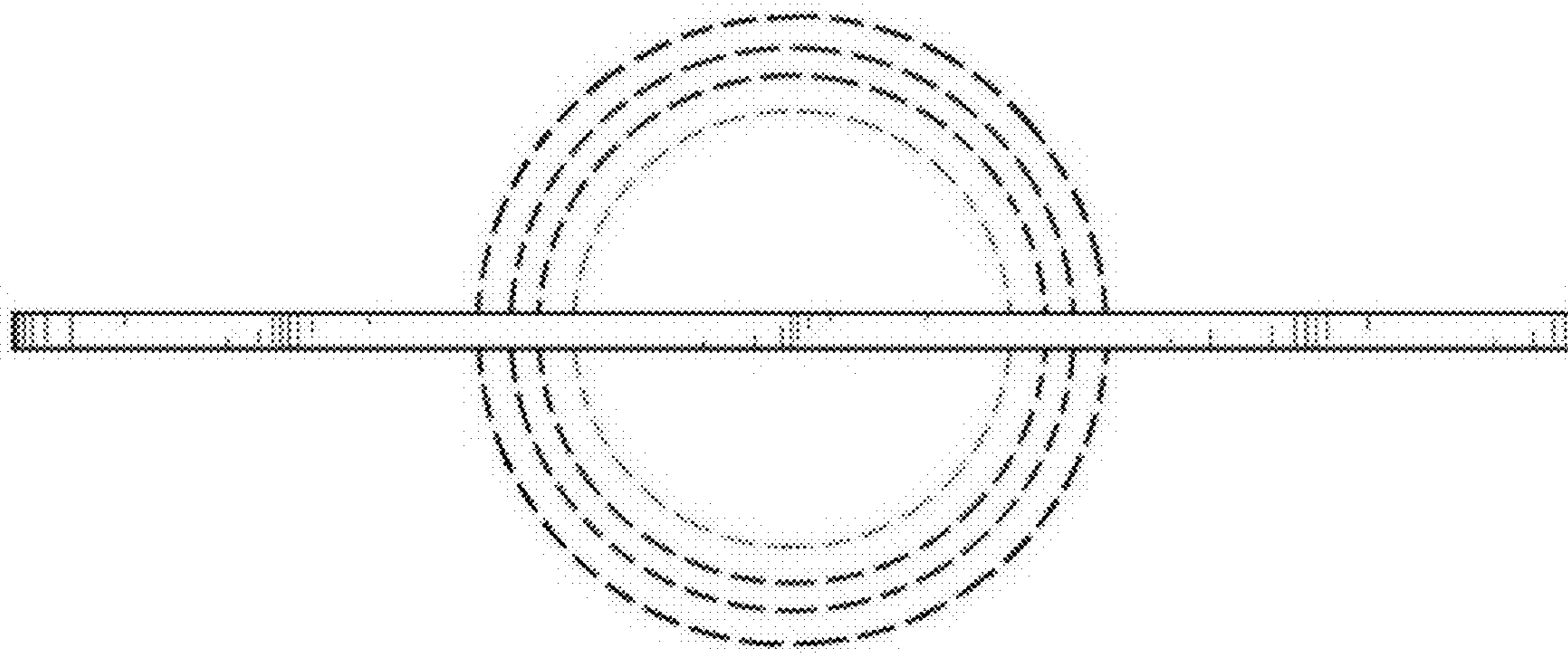
**1.4**



1.5



**1.6**



1.7

