



US00D799321S

(12) **United States Design Patent** (10) **Patent No.:** **US D799,321 S**  
**Mazurkiewicz et al.** (45) **Date of Patent:** **\*\* Oct. 10, 2017**

(54) **CLOSURE**

B65D 2501/0009; B65D 83/06; B05B 17/00; B05B 15/002; A45D 34/00; A45D 34/042; A45D 2040/0006; A45D 2040/093

(71) Applicant: **AptarGroup, Inc.**, Crystal Lake, IL (US)

See application file for complete search history.

(72) Inventors: **Timothy Mazurkiewicz**, Waukesha, WI (US); **Andrew Brunner**, Brookfield, WI (US)

(56) **References Cited**

U.S. PATENT DOCUMENTS

(73) Assignee: **AptarGroup, Inc.**, Crystal Lake, IL (US)

D288,667 S *	3/1987	Miner .....	D9/440
D296,523 S *	7/1988	Corno .....	D9/435
D467,500 S *	12/2002	Cudmore .....	D9/435
D493,718 S *	8/2004	Durdon .....	D9/435
D504,796 S *	5/2005	Schuler .....	D7/392.1
D538,653 S *	3/2007	Robinson .....	D9/449

(Continued)

(\*\*) Term: **15 Years**

*Primary Examiner* — Thomas Johannes

(21) Appl. No.: **29/543,509**

*Assistant Examiner* — Catherine Posthauer

(22) Filed: **Oct. 26, 2015**

(51) **LOC (10) Cl.** ..... **09-07**

(74) *Attorney, Agent, or Firm* — Wood, Phillips, Katz, Clark & Mortimer

(52) **U.S. Cl.**  
USPC ..... **D9/449**

(58) **Field of Classification Search**

(57) **CLAIM**

The ornamental design for a closure, as shown and described.

USPC ..... D3/202, 203.1, 203.2, 273, 275, 294, D3/318; D6/516; D7/300, 300.1, 316, D7/317, 387, 391, 392.1, 393, 396.2, 509, D7/510, 511, 531, 538, 541, 549, 629, D7/703, 900; D9/434, 435, 438, 439, D9/440, 443, 446, 447, 448, 449, 450, D9/452, 453, 454, 502, 503, 504, 529; D19/70, 71, 93, 96, 115, 162, 163, 165, D19/192, 194; D26/36, 123, 124; D28/7, 76, 78, 82, 91; D23/260; 215/200, 235, 236, 252, 254, 329, 215/355-364; 220/203.4-203.7, 203.11, 220/254.1, 254.4, 556, 703, 704, 705, 220/787, 789

CPC ..... A62C 31/02; B65D 1/02; B65D 1/0233; B65D 1/08; B65D 1/10; B65D 25/00; B65D 25/40; B65D 25/42; B65D 25/46; B65D 25/48; B65D 25/77; B65D 39/00; B65D 39/0047; B65D 41/00; B65D 43/00; B65D 43/02; B65D 51/02; B65D 51/04; B65D 50/041; B65D 23/00; B65D 1/00; B65D 1/0223; B65D 2501/00;

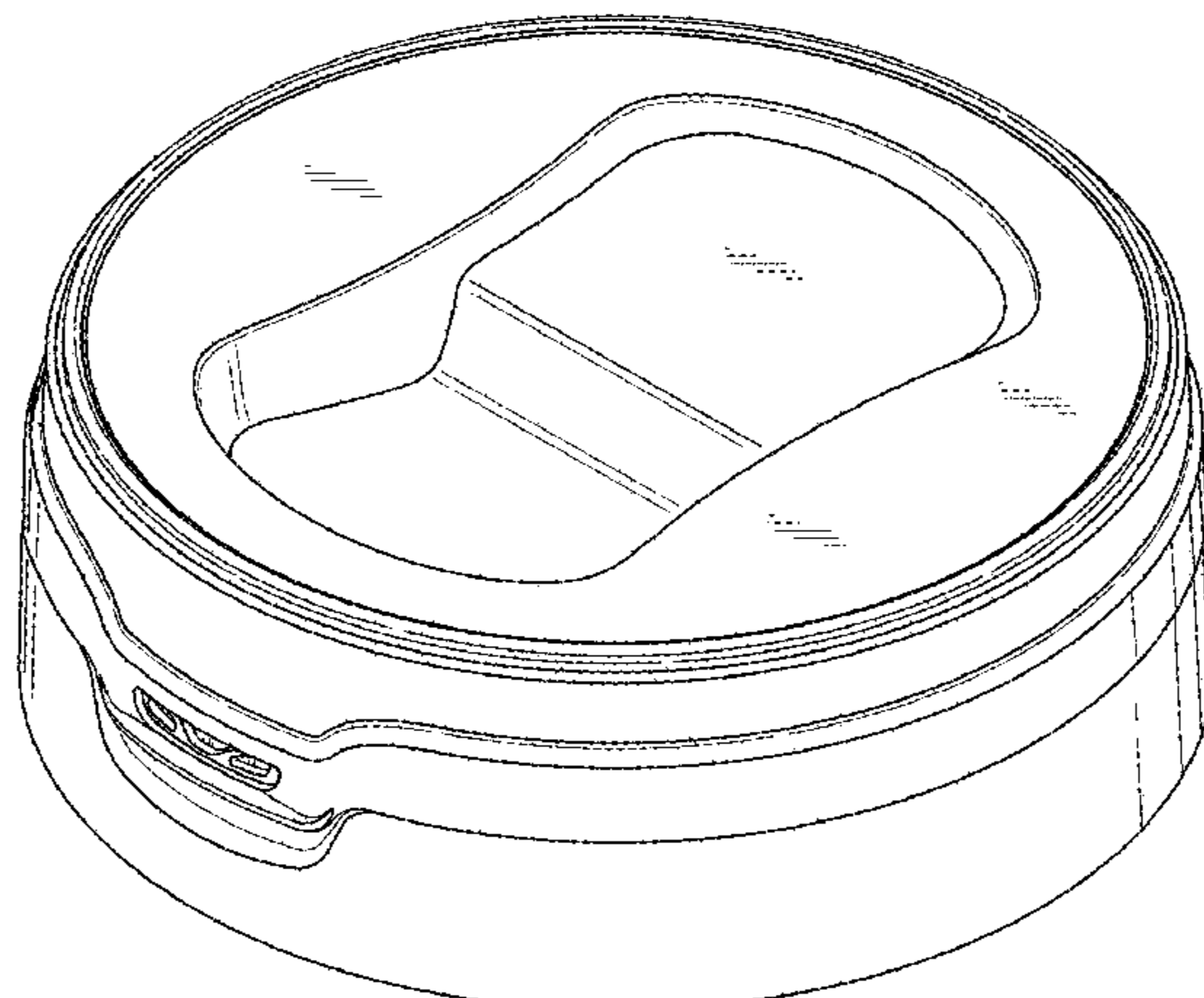
**DESCRIPTION**

FIG. 1 is a top, front, right side perspective view a closure showing our new design;  
 FIG. 2 is top, rear, left perspective view thereof;  
 FIG. 3 is a top plan view thereof;  
 FIG. 4 is a front elevation view thereof;  
 FIG. 5 is a right side elevational view thereof, the left side elevational view thereof being a mirror image; and,  
 FIG. 6 is a rear elevational view thereof.

The undisclosed bottom view is unornamented, is not visible to the consumer when the closure is installed on a container (not shown), and forms no part of the claimed ornamental design.

The broken lines are shown for the purpose of illustrating parts of the closure that form no part of the claim.

**1 Claim, 4 Drawing Sheets**



(56)

**References Cited**

U.S. PATENT DOCUMENTS

D627,641	S *	11/2010	Mazurkiewicz .....	D9/449
D643,245	S *	8/2011	Minarsch .....	D7/392.1
D647,753	S *	11/2011	Lin .....	D7/392.1
D666,052	S *	8/2012	Trombly .....	D7/392.1
D692,756	S *	11/2013	McClellan .....	D9/447
D696,940	S *	1/2014	Hale .....	D9/447
D703,044	S *	4/2014	Chou .....	D9/435
D709,366	S *	7/2014	Fleming .....	D9/435
D717,115	S *	11/2014	Lane .....	D7/511
D721,250	S *	1/2015	Chen .....	D7/510
D721,535	S *	1/2015	Chapman .....	D7/396.2
D722,498	S *	2/2015	Fleming .....	D9/447
8,950,623	B2 *	2/2015	Fleming .....	B65D 43/02 220/713
D730,729	S *	6/2015	George .....	D9/435
D732,337	S *	6/2015	Coon .....	D7/392.1
D746,999	S *	1/2016	Jonsson .....	D24/216
D752,381	S *	3/2016	Wahl .....	D7/392.1
D752,436	S *	3/2016	Crudgington .....	D9/434
D764,917	S *	8/2016	Velez .....	D9/447
2008/0190946	A1 *	8/2008	Wong .....	B65D 47/286 220/711
2013/0026168	A1 *	1/2013	Mazurkiewicz ...	B65D 47/0814 220/254.1
2014/0008378	A1 *	1/2014	Rinderer .....	B65D 43/0212 220/703
2014/0048549	A1 *	2/2014	Wille .....	B65D 43/0222 220/713
2015/0250340	A1 *	9/2015	Liu .....	B65D 43/02 220/254.9
2016/0264312	A1 *	9/2016	Choltco-Devlin .	B65D 47/0895
2016/0319490	A1 *	11/2016	Wang .....	D21J 7/00
2016/0368670	A1 *	12/2016	Beardsall .....	B65D 43/0212

\* cited by examiner

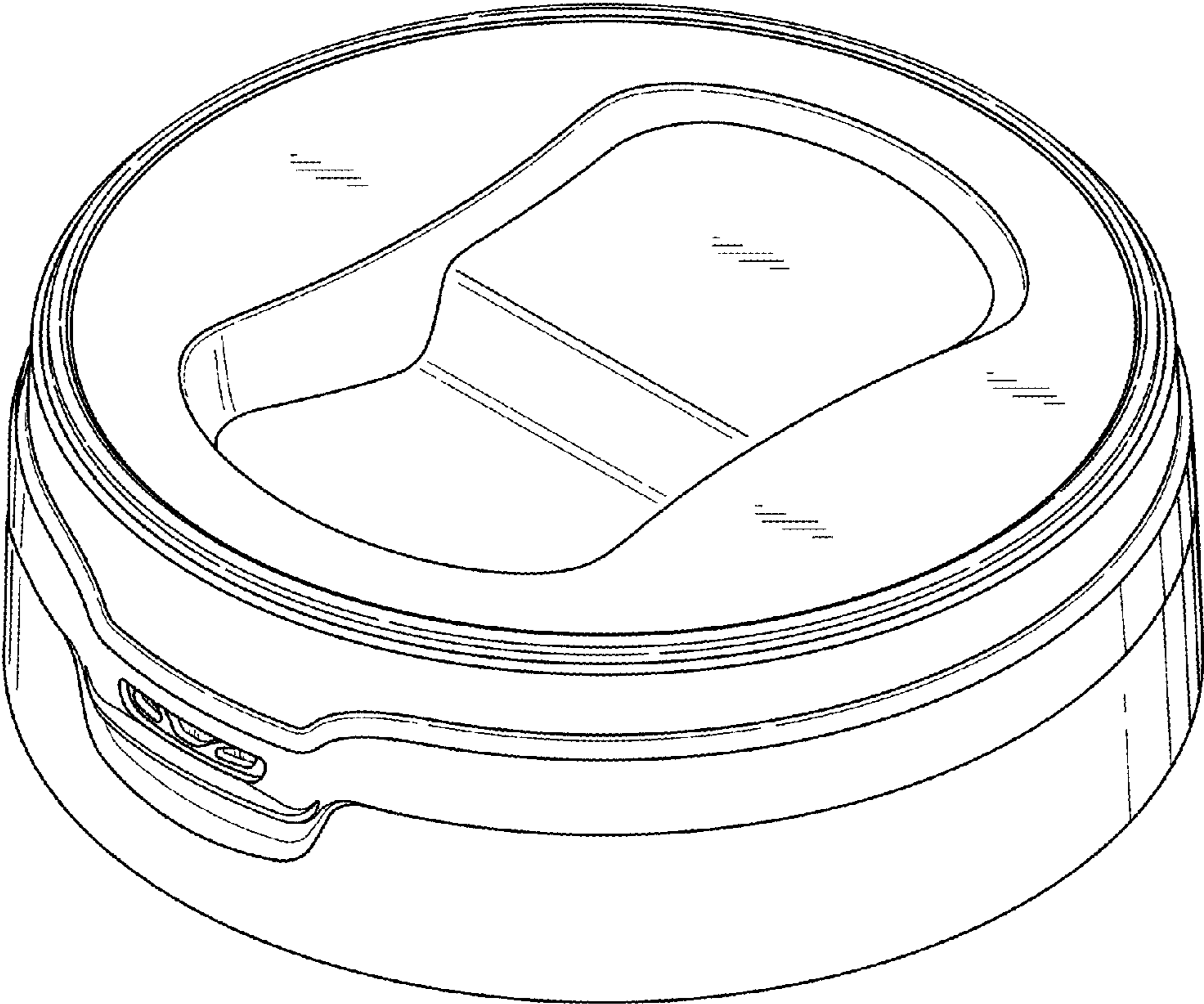


FIG. 1

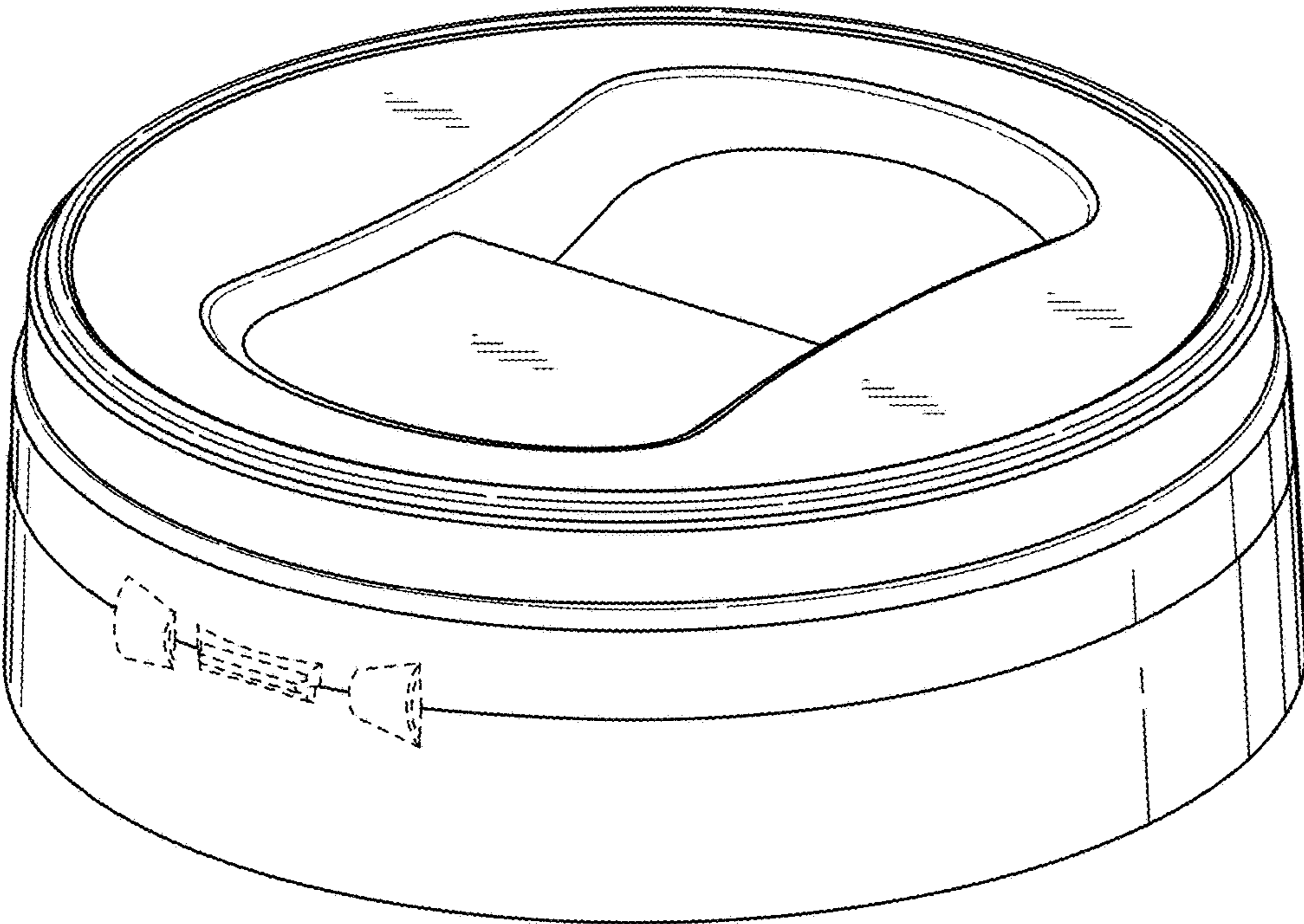


FIG. 2



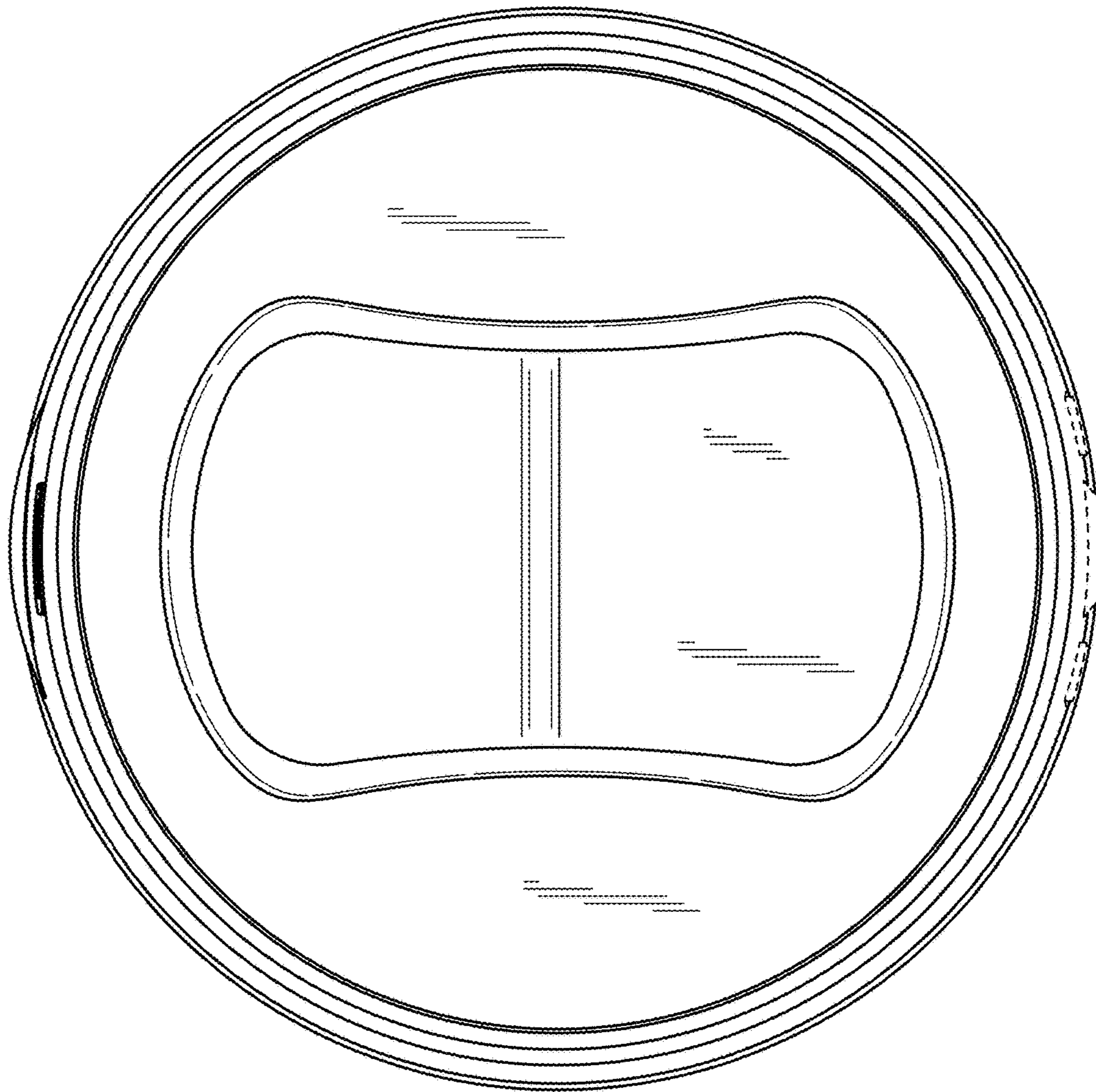


FIG. 3

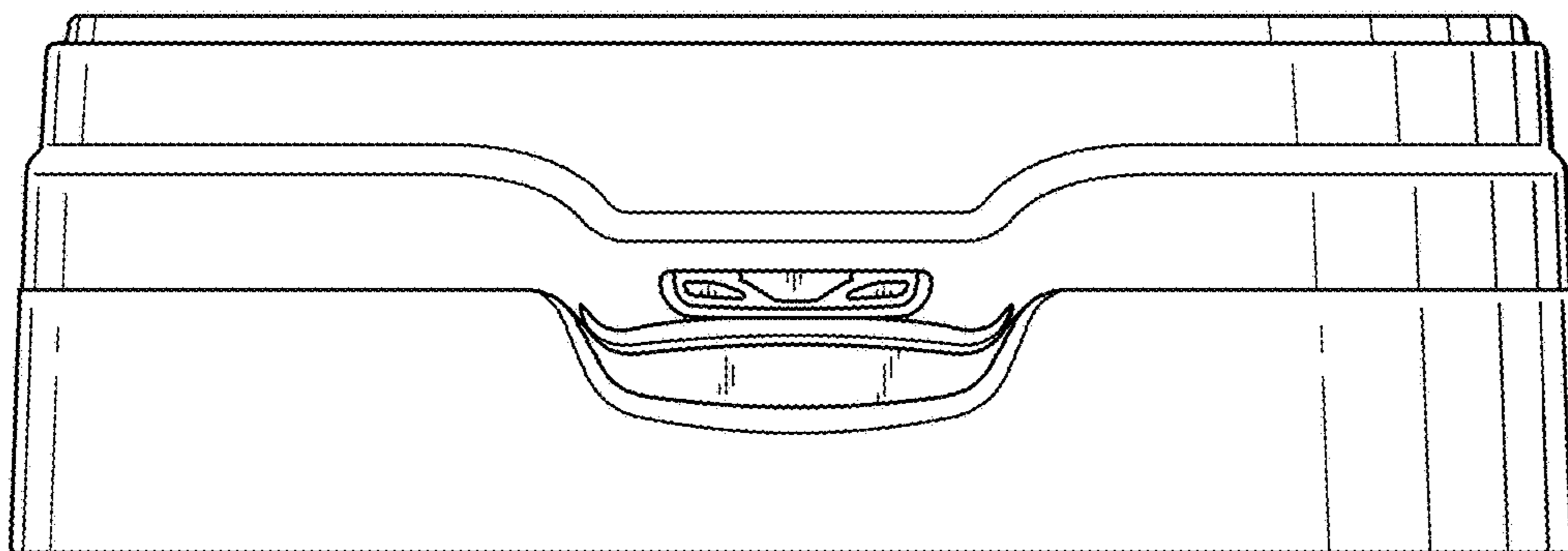


FIG. 4

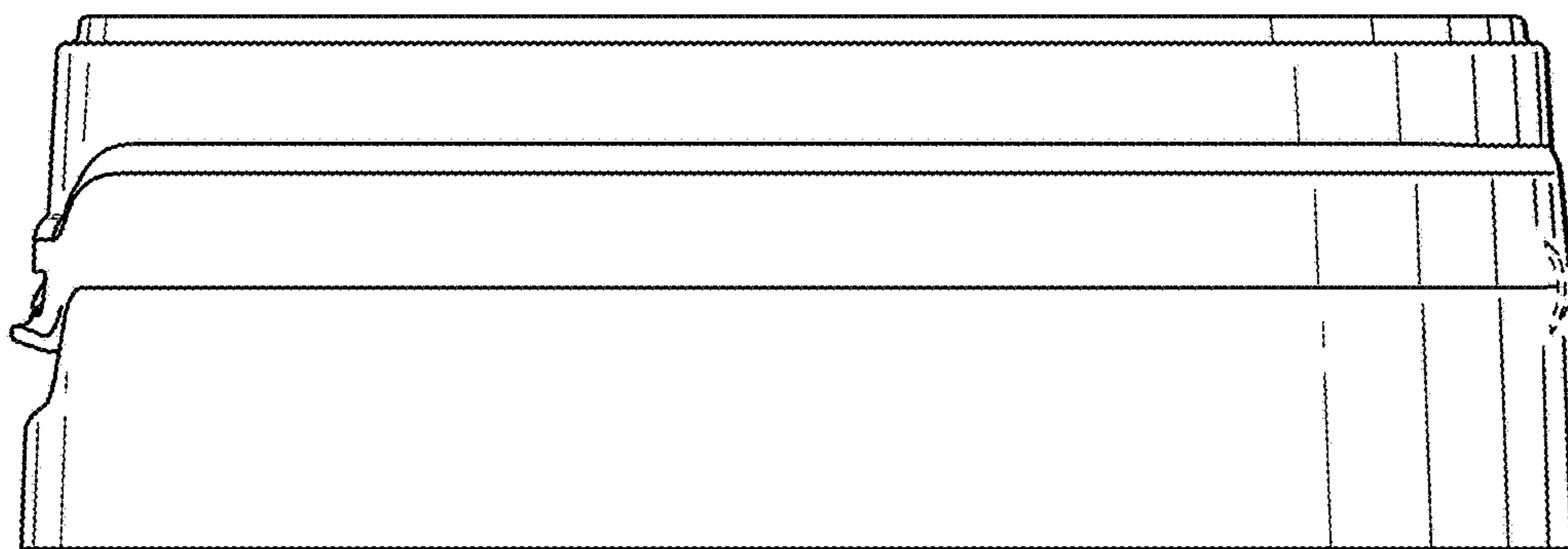


FIG. 5

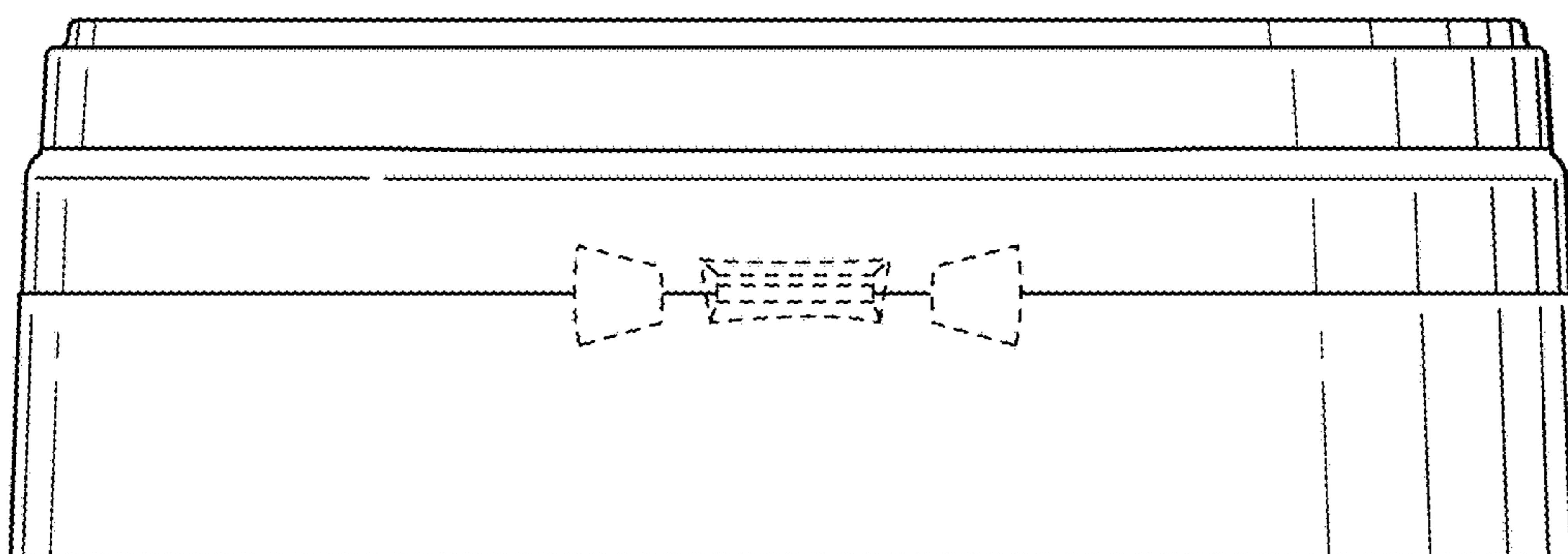


FIG. 6