



US00D799320S

(12) **United States Design Patent** (10) **Patent No.:** **US D799,320 S**
Goodwin et al. (45) **Date of Patent:** **** Oct. 10, 2017**

(54) **FLASK LID**

(71) Applicant: **Helen of Troy Limited**, St. Michael (BB)
(72) Inventors: **Brian George Goodwin**, Bend, OR (US); **Matthew Paul Nahlik**, Bend, OR (US); **Benjamin Robert Hein**, Bend, OR (US)
(73) Assignee: **Helen of Troy Limited**, St. Michael (BB)

(**) Term: **15 Years**

(21) Appl. No.: **29/551,904**

(22) Filed: **Jan. 18, 2016**

(51) **LOC (10) Cl.** **09-07**

(52) **U.S. Cl.**

USPC **D9/447**; D9/449; D9/450

(58) **Field of Classification Search**

USPC ... D3/202, 203.1, 203.2, 273, 275, 294.318; D7/300, 300.1, 316, 317, 387, 391, 392, D7/392.1, 393, 396.2, 509, 510, 511, 531, D7/538, 541, 549, 629, 703, 900; D9/434, 435, 436, 438, 439, 440, 443, D9/446, 447, 448, 449, 450, 452, 453, D9/454, 502, 503, 504, 529; D24/121, D24/127, 199, 224; D19/70, 71, 93, 163, D19/194

(Continued)

(56) **References Cited**

U.S. PATENT DOCUMENTS

D351,761 S 10/1994 Feer
D369,943 S 5/1996 Dark

(Continued)

OTHER PUBLICATIONS

Hydroflask: Announced Aug. 2017 [online], site visite Mar. 17, 2017. Available from Internet URL:https://www.hydroflask.com/32-oz-wide-mouth-w-straw-lid.*

(Continued)

Primary Examiner — Thomas Johannes
Assistant Examiner — Catherine Posthauer
(74) *Attorney, Agent, or Firm* — Kolisch Hartwell, P.C.

(57) **CLAIM**

The ornamental design for a flask lid, as shown and described.

DESCRIPTION

FIG. 1 is an upper, front, and left side perspective view of a flask lid showing our new design, showing a drinking portion of the flask lid in a closed position, and in a condition of use with a flask;

FIG. 2 is a top view thereof, with the exemplary flask removed for clarity of details;

FIG. 3 is a bottom view thereof;

FIG. 4 is a left side view thereof;

FIG. 5 is a right side view thereof;

FIG. 6 is a front view thereof;

FIG. 7 is a back view thereof;

FIG. 8 is an upper, front, and left side perspective view of the flask lid thereof, showing the drinking portion of the flask lid in an open position, and in a condition of use with a straw;

FIG. 9 is a top view thereof;

FIG. 10 is a bottom view thereof, with the exemplary straw removed for clarity of details;

FIG. 11 is a left side view thereof;

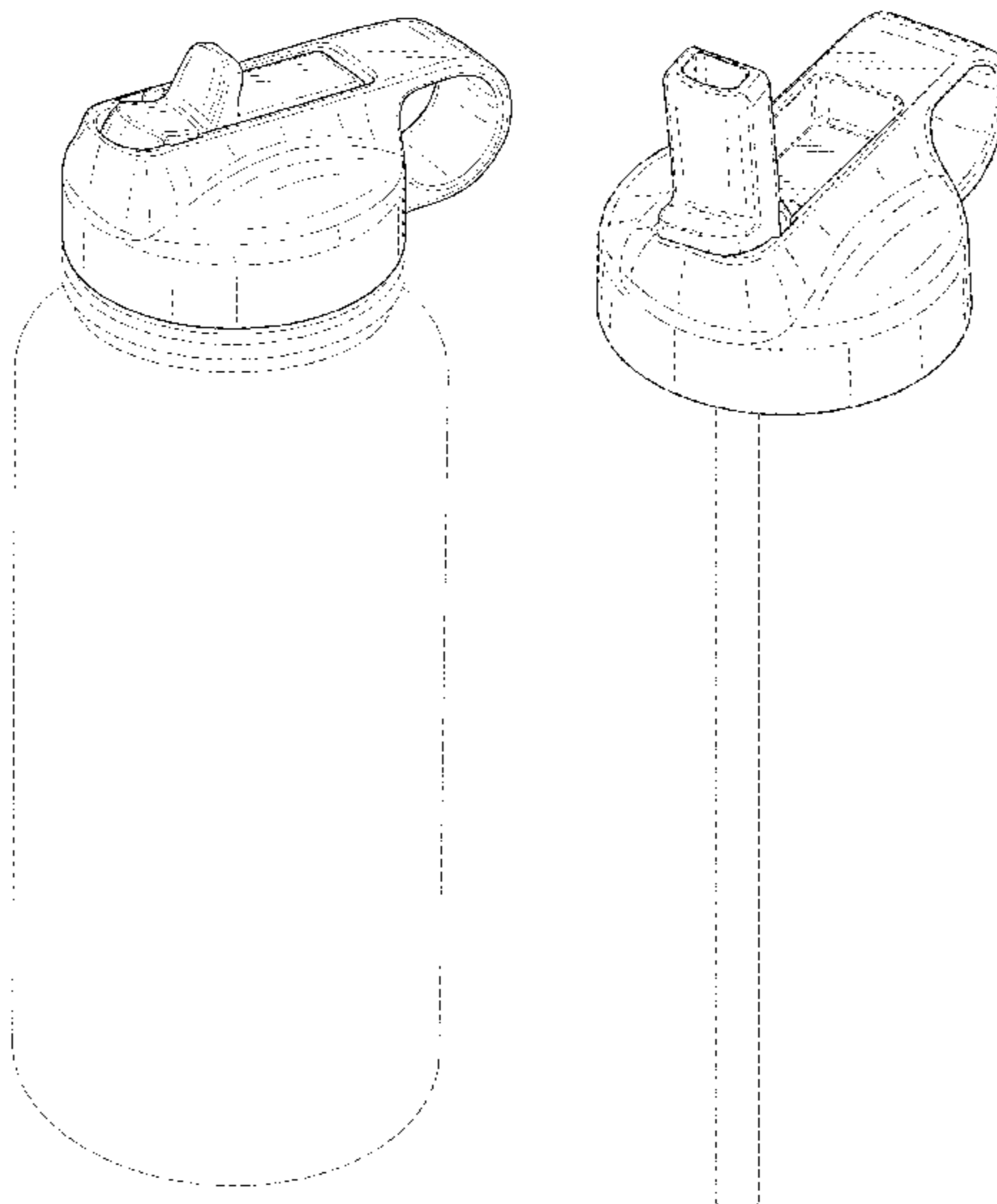
FIG. 12 is a right side view thereof;

FIG. 13 is a front view thereof; and,

FIG. 14 is a back view thereof.

The broken lines are shown for the purpose of illustrating environmental subject matter and parts of the article that form no part of the claim.

1 Claim, 8 Drawing Sheets



(58) **Field of Classification Search**

CPC A62C 31/02; B65D 1/02; B65D 1/0233;
 B65D 1/08; B65D 1/10; B65D 23/00;
 B65D 23/08; B65D 23/10; B65D 25/00;
 B65D 25/40; B65D 25/42; B65D 25/46;
 B65D 25/48; B65D 25/77; B65D 39/00;
 B65D 39/0047; B65D 41/00; B65D
 43/00; B65D 43/02; B65D 51/02; B65D
 51/04; B05B 17/00; B05B 15/002; A45D
 34/00; A45D 34/042; A45D 40/22; A45D
 2040/0006; A45D 2040/093; A47G 19/22;
 A47G 19/2205; A47G 19/2255; A47G
 19/2266

See application file for complete search history.

D719,780 S	12/2014	Sullivan	
D724,895 S	3/2015	Kawase et al.	
D736,562 S	8/2015	Green et al.	
D736,622 S	8/2015	Nishijima et al.	
D748,430 S	* 2/2016	Sorensen	D7/392.1
D748,943 S	* 2/2016	Miller	D7/392.1
D750,428 S	* 3/2016	Keys	D7/396.2
D755,562 S	* 5/2016	Lindsay	D7/392.1
D758,127 S	* 6/2016	Zhao	D7/392.1
D763,622 S	* 8/2016	Shirley	D7/511
D771,990 S	* 11/2016	Horowitz	D7/300.1
D777,508 S	* 1/2017	Goodwin	D7/392.1
D779,273 S	* 2/2017	Lee	D7/510
D781,104 S	* 3/2017	Cerasani	D7/300.1
2007/0039959 A1	2/2007	Choi et al.	
2008/0078200 A1	4/2008	Roth et al.	
2013/0032564 A1	2/2013	Rosbach	

(56)

References Cited

U.S. PATENT DOCUMENTS

D387,621 S	12/1997	Sullivan et al.	
D408,684 S	4/1999	Helm	
D497,283 S	10/2004	Groombridge	
D505,294 S	* 5/2005	Gauss	D7/392.1
D543,454 S	* 5/2007	Leoncavallo	D9/449
D547,607 S	7/2007	Forsman	
D614,440 S	4/2010	Cresswell et al.	
D632,176 S	2/2011	McKinney et al.	
D632,524 S	2/2011	Rosbach et al.	
D633,338 S	3/2011	Rosbach et al.	
D634,972 S	* 3/2011	Staton	D7/392.1
D649,879 S	* 12/2011	Gullickson	D9/443
D652,256 S	1/2012	Eyal	
D654,793 S	2/2012	Rosbach	
D660,487 S	5/2012	Wu	
D668,116 S	10/2012	Eyal	
D669,354 S	10/2012	Davis et al.	
D669,732 S	10/2012	Hopkins et al.	
D675,525 S	* 2/2013	Hanai	D9/447
D679,541 S	4/2013	Samartgis	
D680,805 S	4/2013	Rosbach	
D682,034 S	5/2013	El-Saden et al.	
D683,581 S	6/2013	Archer	
8,469,226 B2	6/2013	Davies et al.	
D685,606 S	7/2013	Keys et al.	
D688,093 S	8/2013	Roth et al.	
D688,912 S	9/2013	Rosbach	
D693,170 S	11/2013	Rosbach	
D704,986 S	5/2014	Manies	
D715,146 S	10/2014	Holmes	

OTHER PUBLICATIONS

“New Wave Enviro Stainless Steel Water Bottle”. Found online Aug. 26, 2015 at amazon.com. Page dated Jan. 9, 2006. Retrieved from http://www.amazon.com/New-Wave-Enviro-Liter-Blue/dp/B001LNUE4W/ref=cm_cr_pr_product_top?e=UTF8.

“Klean Kanteen: The Eco-Friendly Personal Hydration Bottle”. Found online at earthtimes.org. Page dated Jun. 15, 2011. Retrieved from <http://www.earthtimes.org/green-blogs/green-living/klean-kanteen-the-eco-friendly-personal-hydration-hottle-05-Jun-11/>.

“Groove Stainless .6L Water Bottle”. Found online Aug. 26, 2015 at shop.camelbak.com. Page dated Nov. 21, 2011. Retrieved from <http://shop.camelbak.com/groove-stainless-6l/d/1206>.

“CamelBak eddy Insulated .6L Black”. Found online Aug. 26, 2015 at amazon.com. Page dated Apr. 11, 2012. Retrieved from http://www.amazon.com/CamelBak-eddy-Insulated-6L-Black/dp/B006ZT9E1Q/ref=cm_cr_pr_product_top?ie=UTF8.

“Sippin’ and Steppin’.” Giftware News. Web. May 2012.

“Hydro Flask Offers a Sip of Summer: Introducing the Straw Lid.” blog.hydroflask.com. Web. Jun. 15, 2013.

Jan. 28, 2014, Office action from the U.S. Patent and Trademark Office in U.S. Appl. No. 29/443,806, which is another application of applicant Steel Technology, LLC.

Sep. 10, 2015, Office action from the U.S. Patent and Trademark Office in U.S. Appl. No. 29/513,509, which is another application of applicant Steel Technology, LLC.

Jan. 13, 2016, Office action from the Taiwanese Patent Office in Taiwan Patent Application No. 104303506, which is a foreign application of applicant Steel Technology, LLC.

* cited by examiner

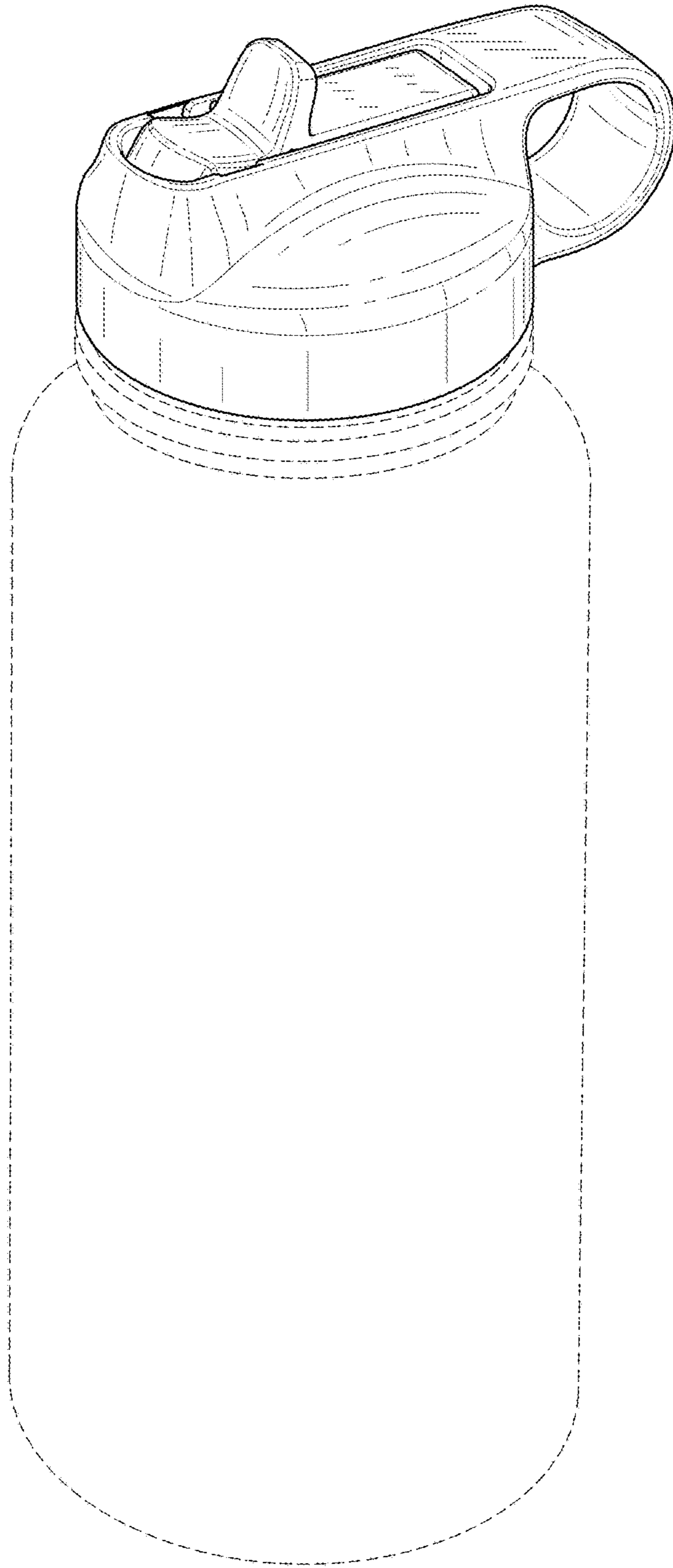


FIG. 1

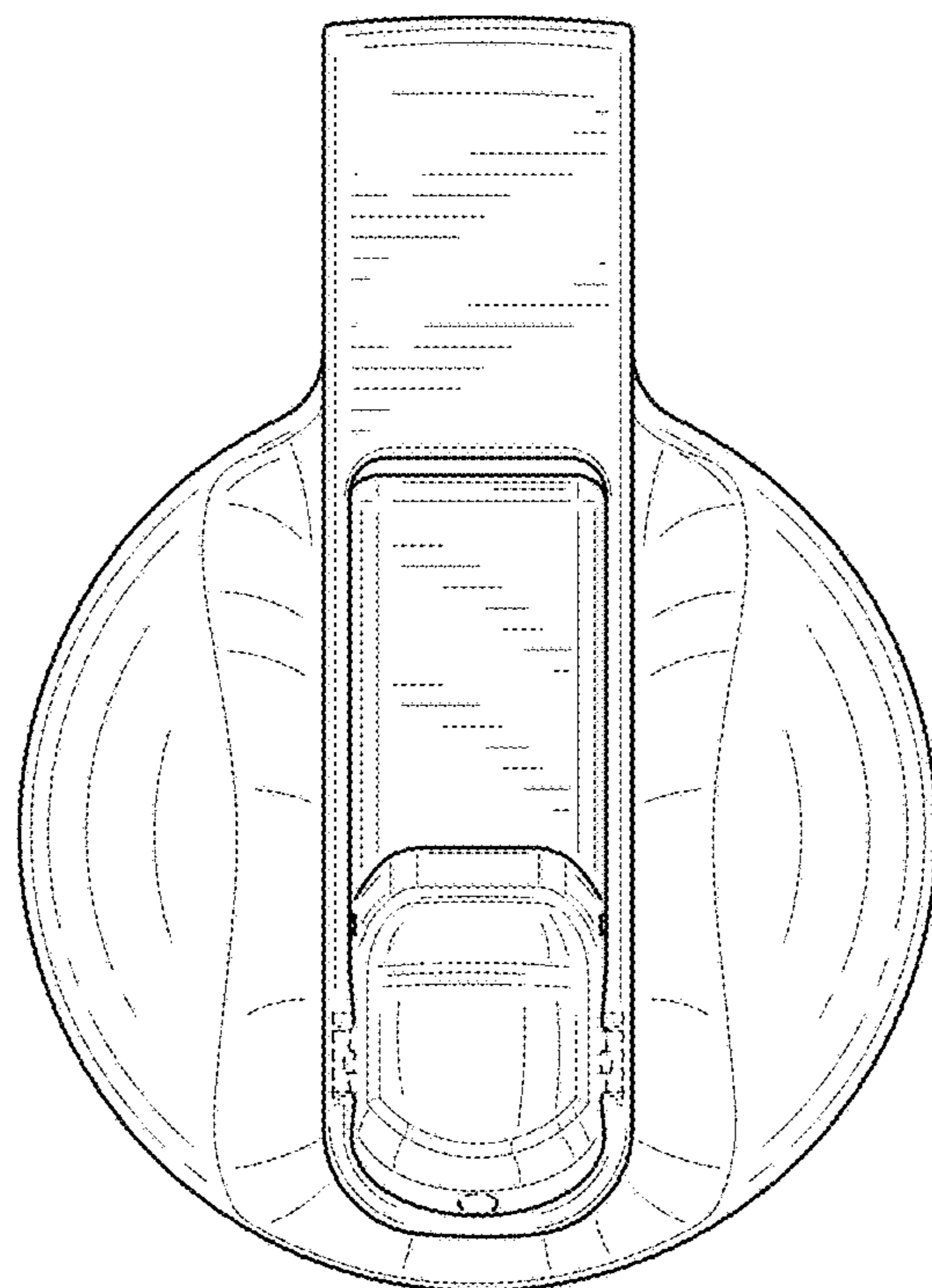


FIG. 2

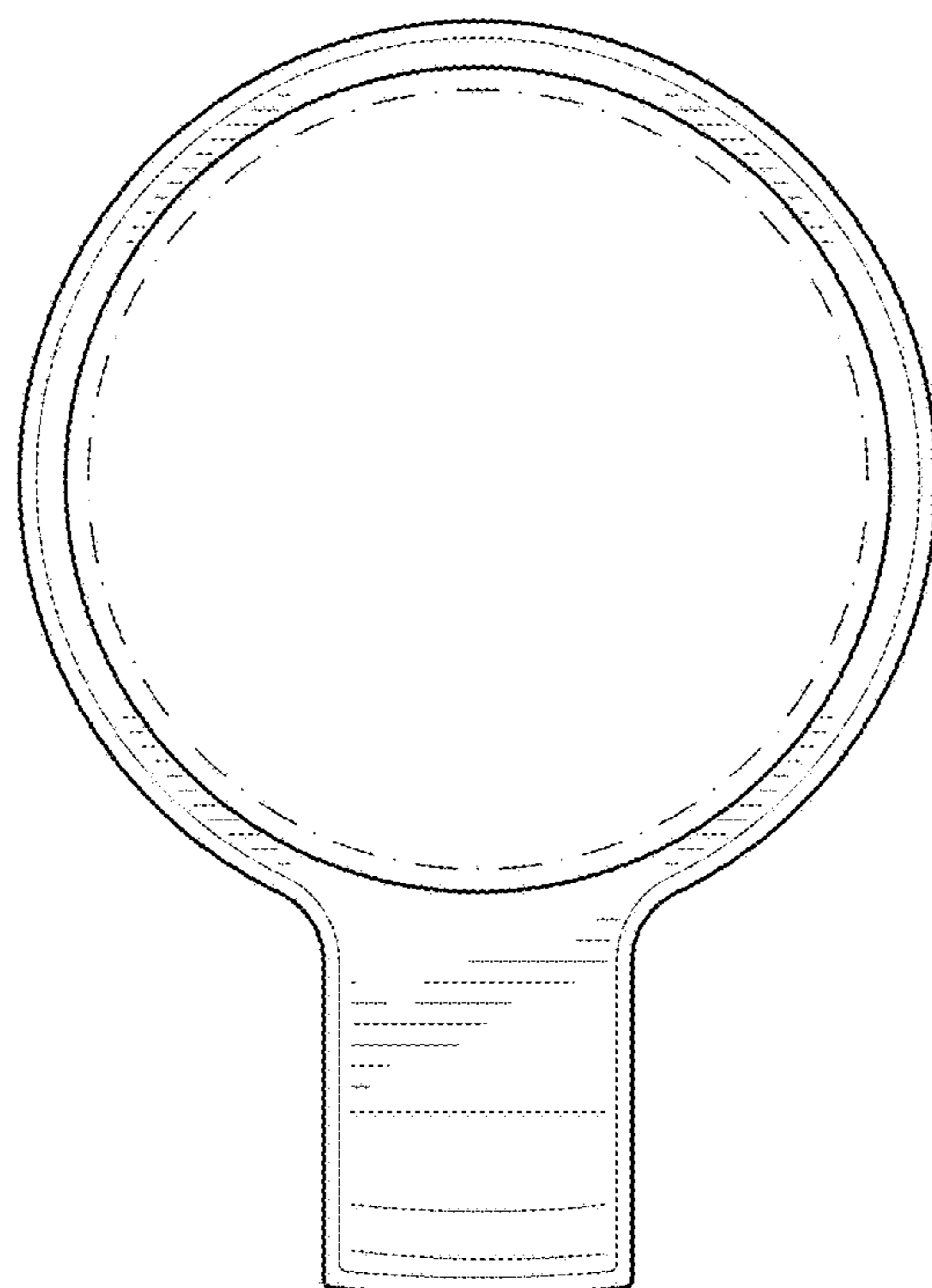


FIG. 3

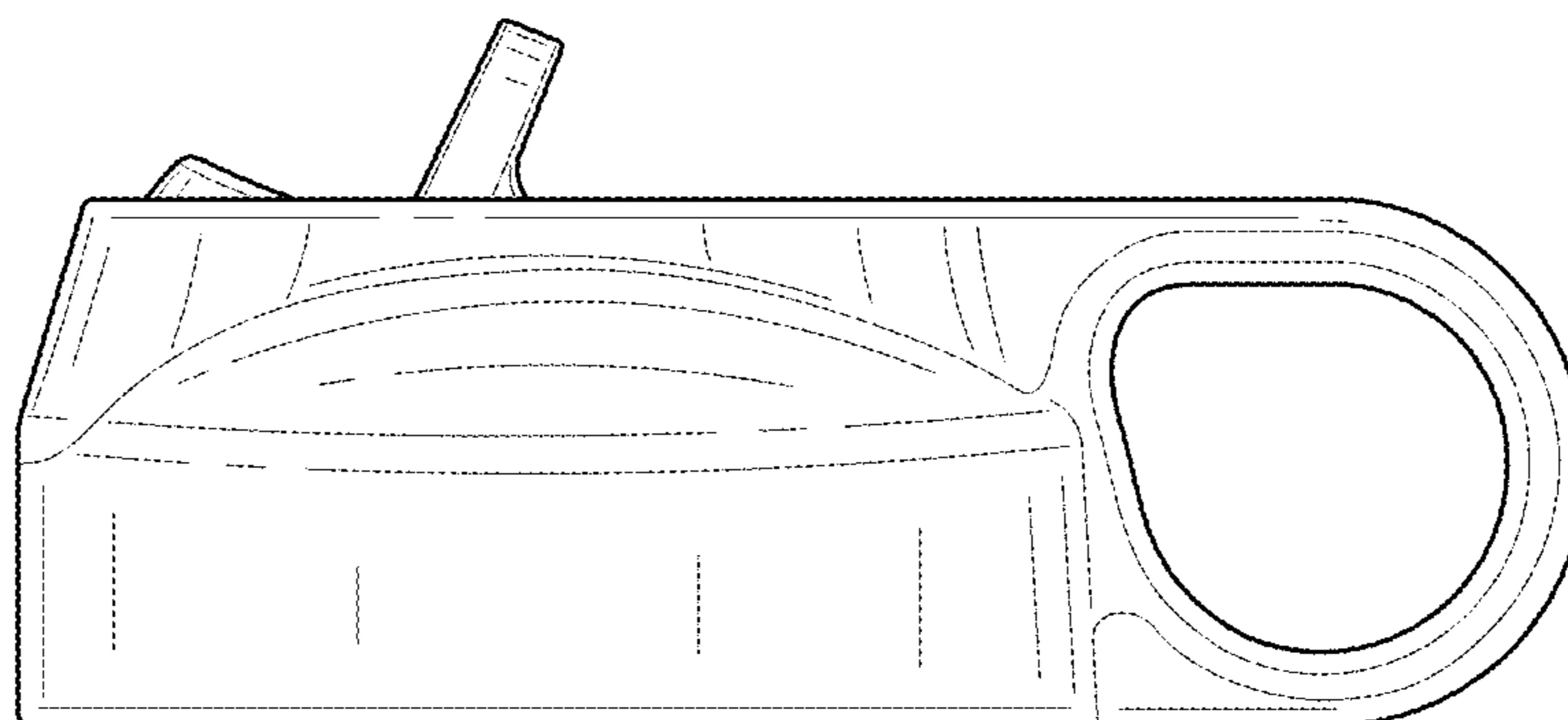


FIG. 4

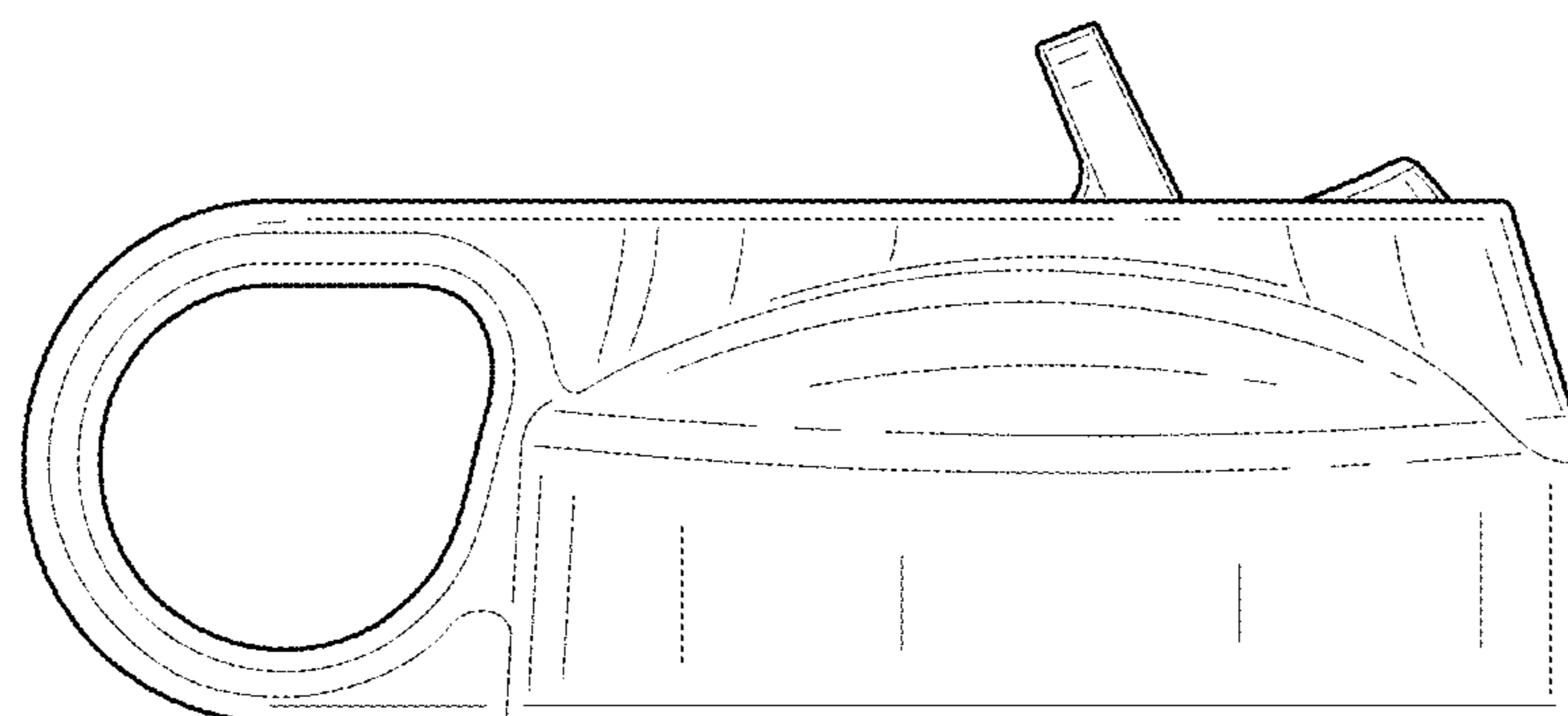


FIG. 5

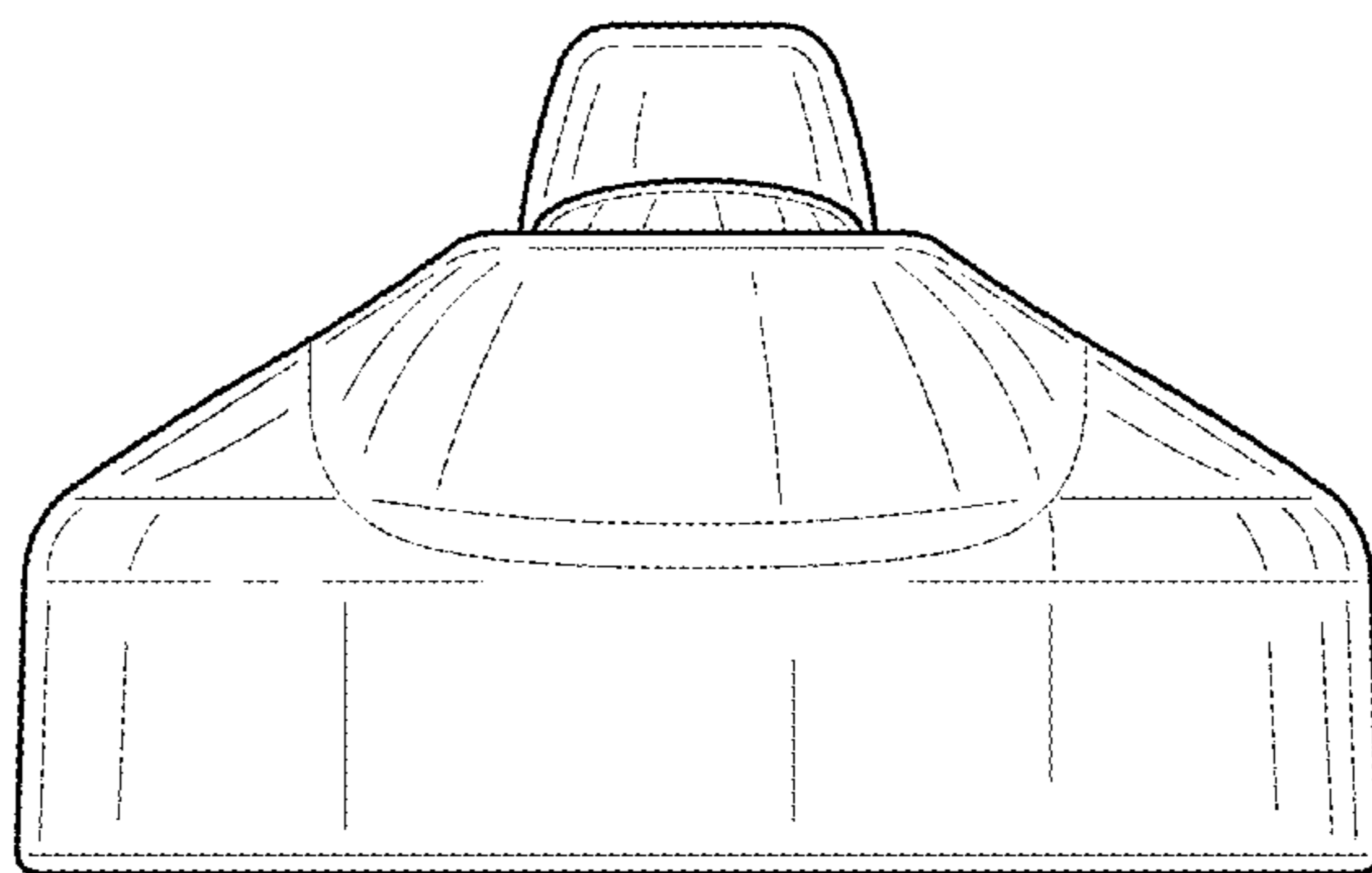


FIG. 6

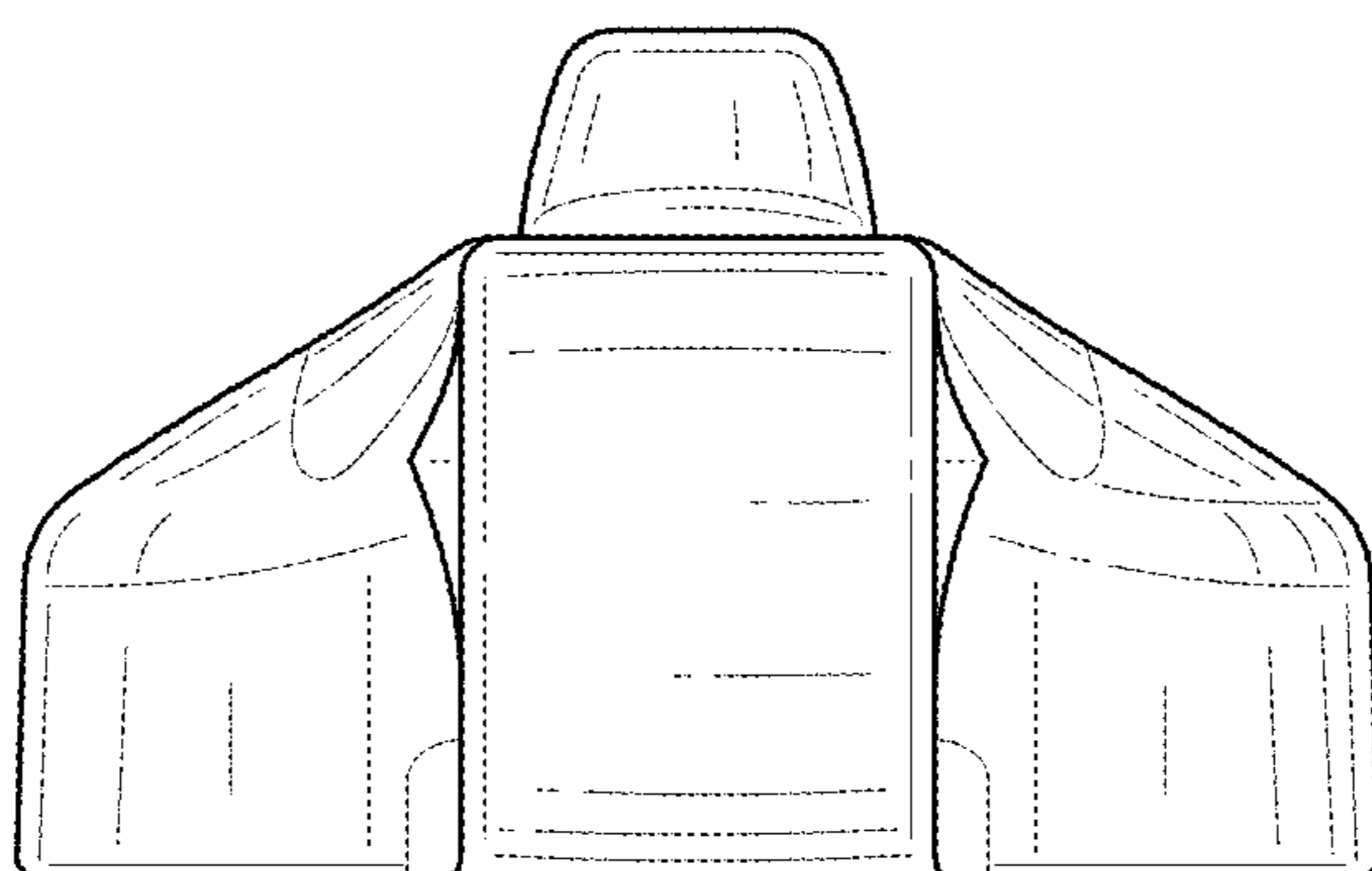


FIG. 7

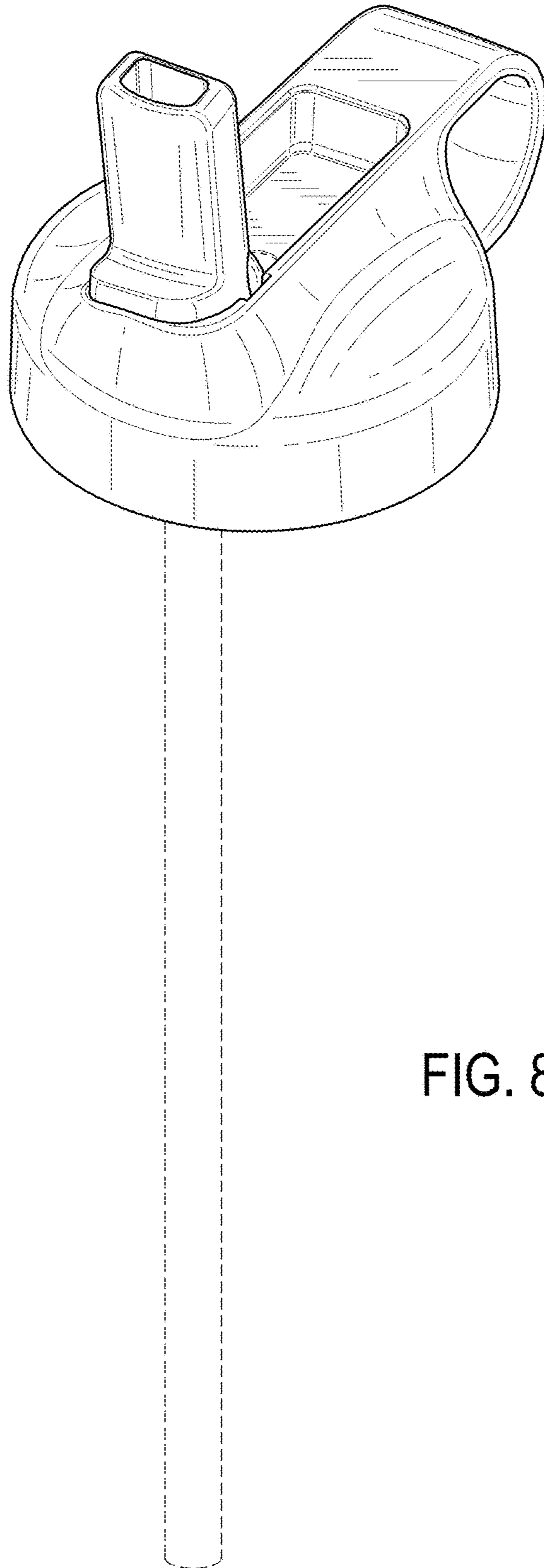


FIG. 8

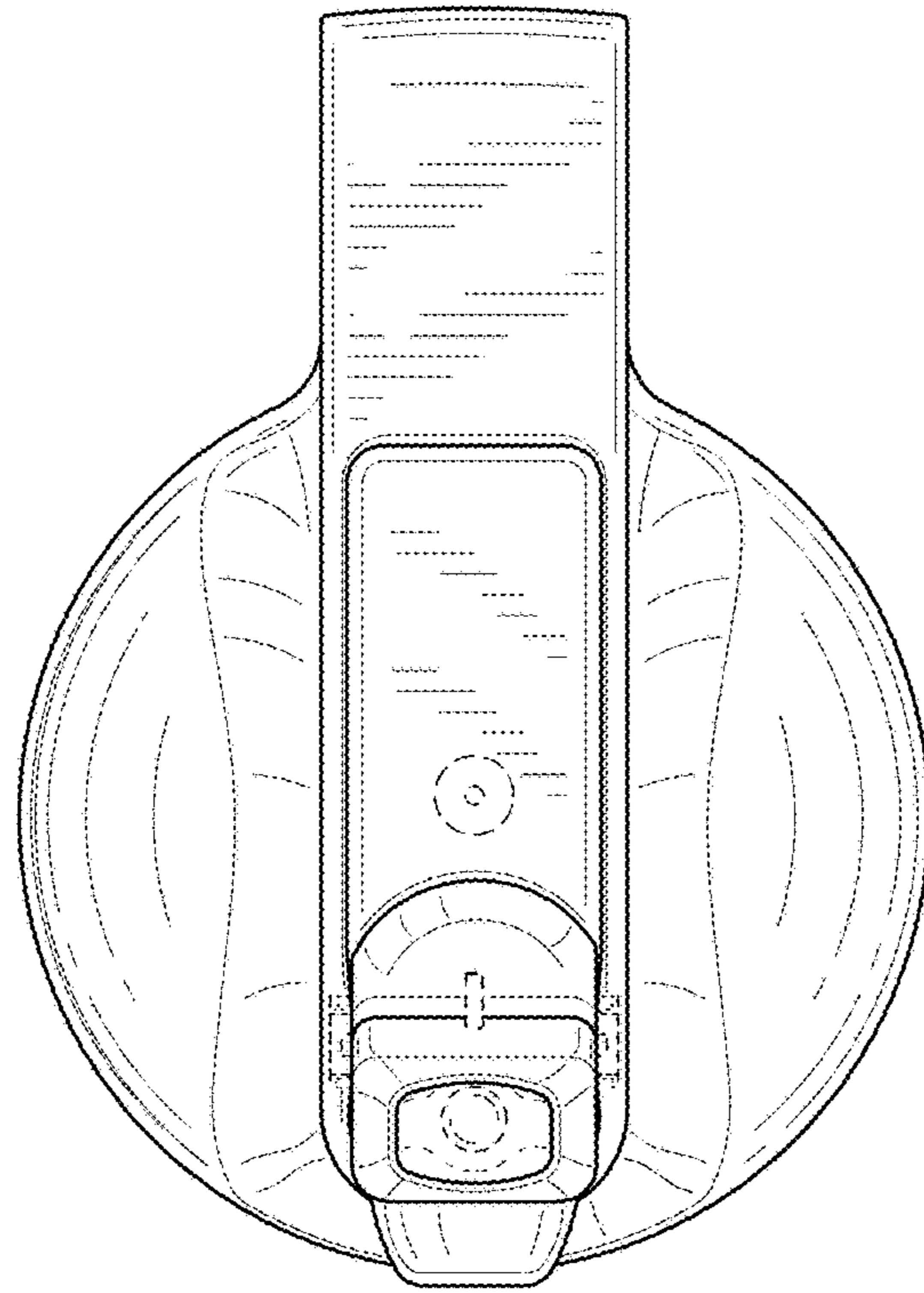


FIG. 9

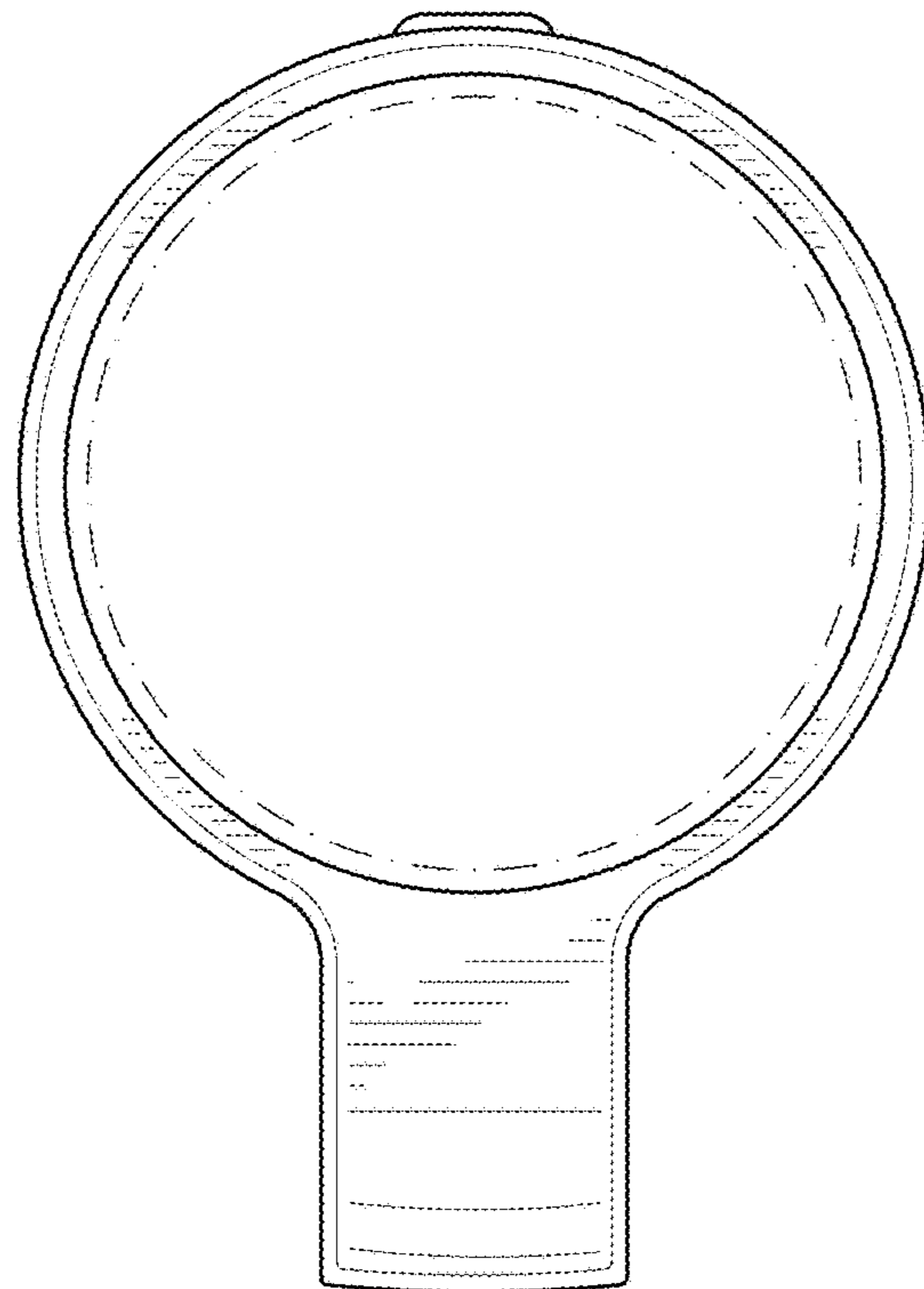


FIG. 10

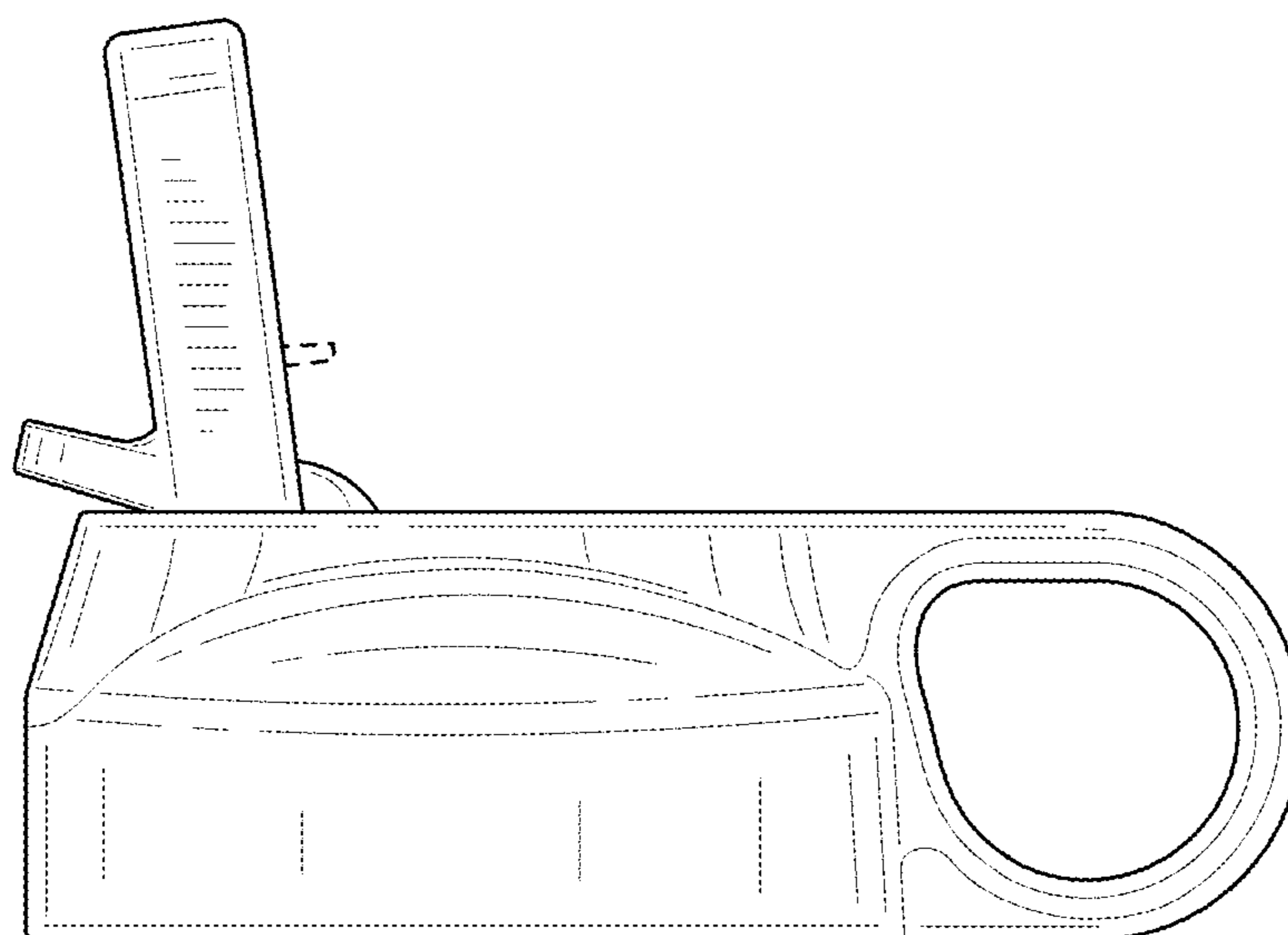


FIG. 11

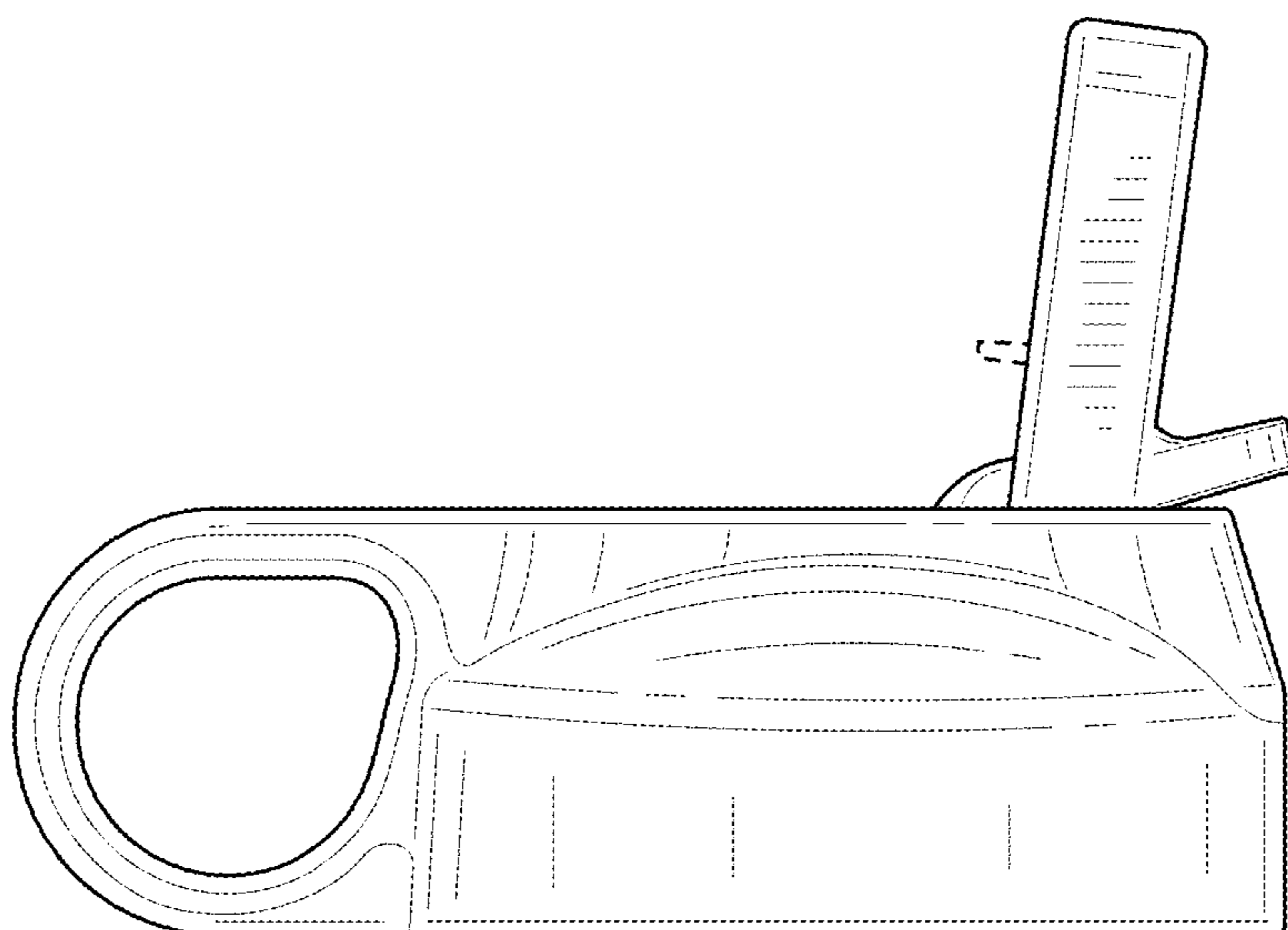


FIG. 12

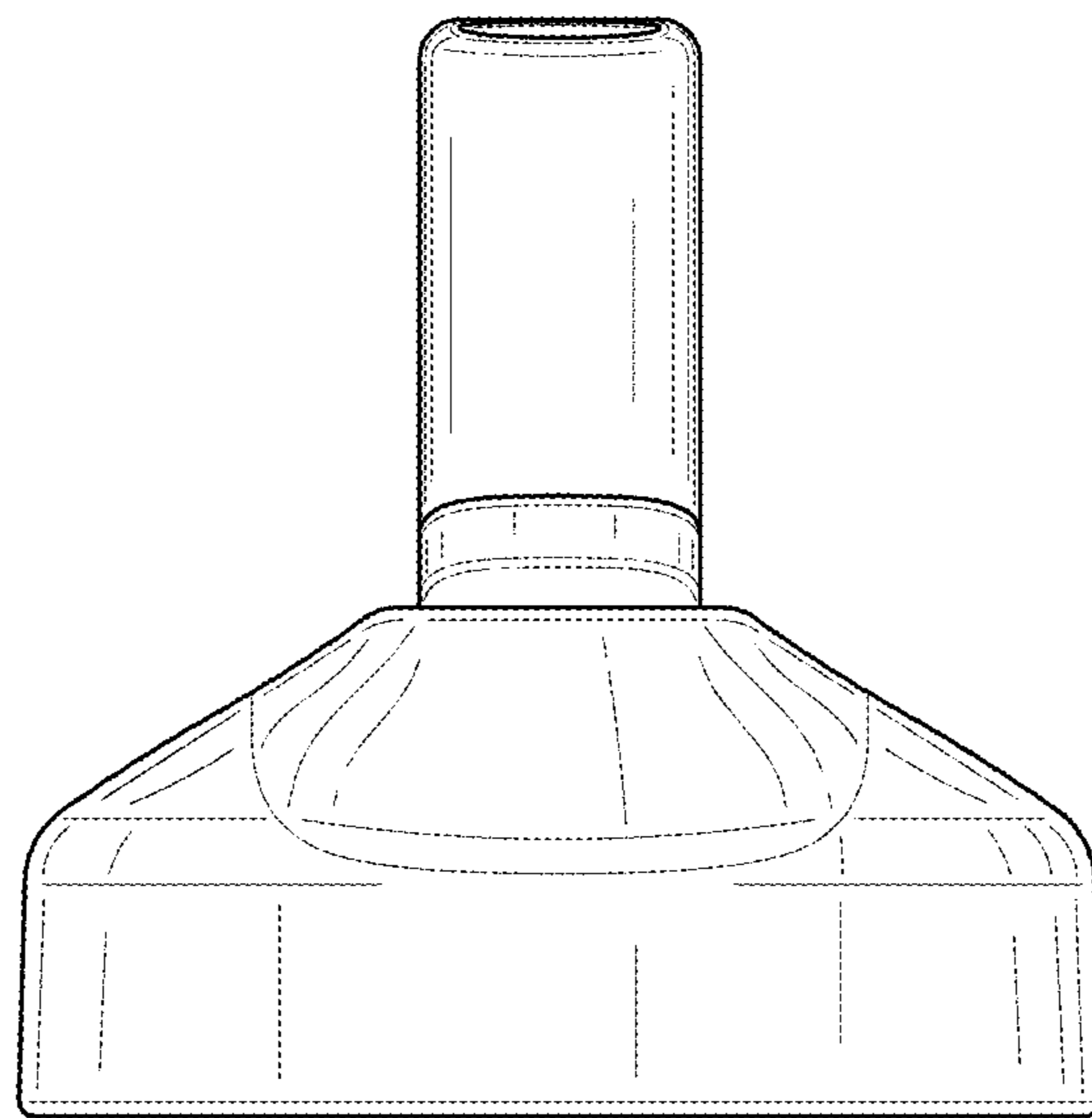


FIG. 13

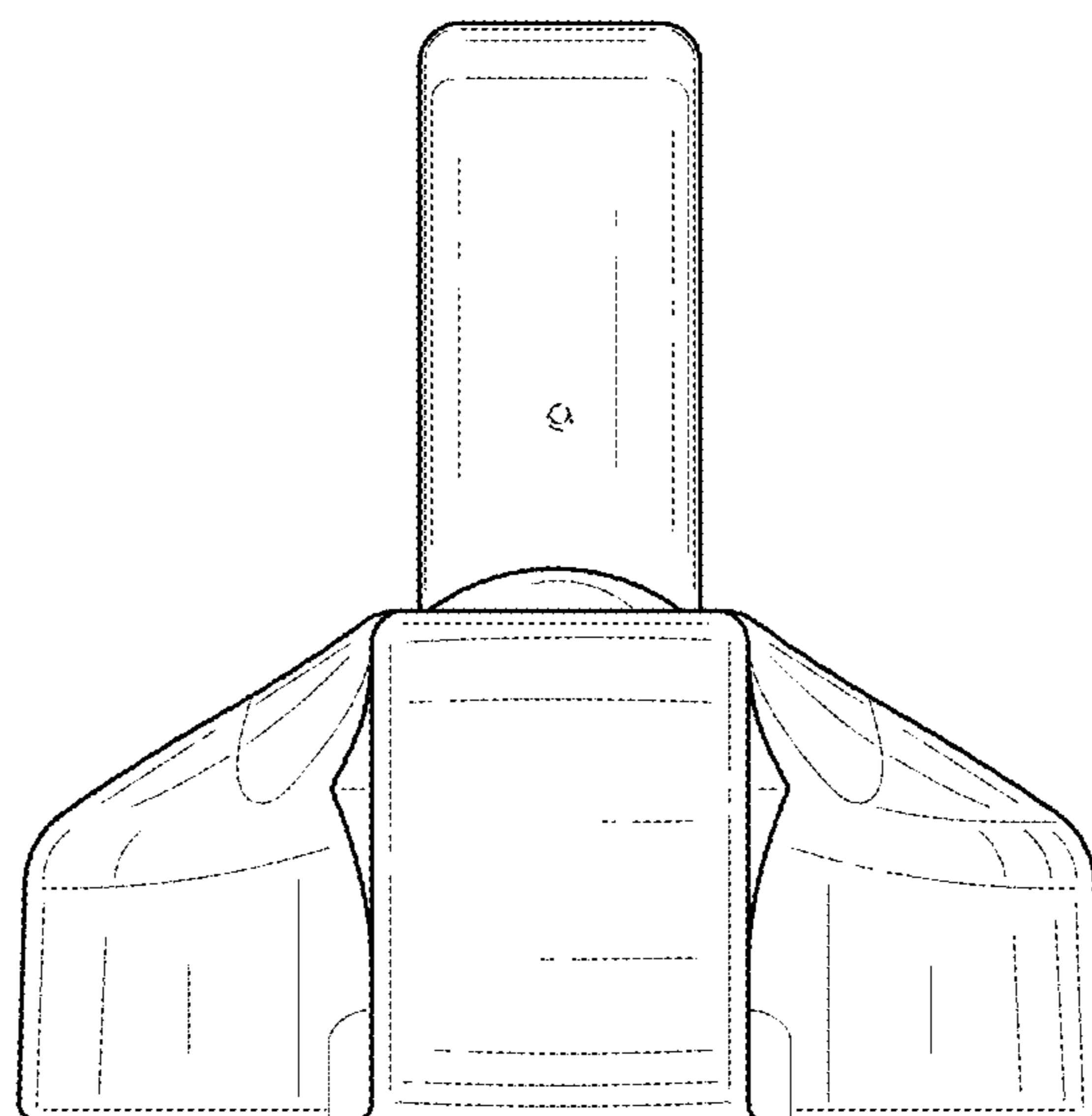


FIG. 14