



US00D799319S

(12) **United States Design Patent** (10) **Patent No.:** **US D799,319 S**
Tskhovrebova (45) **Date of Patent:** **** Oct. 10, 2017**

(54) **COVER FOR A CONTAINER**

(71) Applicant: **Natela Tskhovrebova**, Brooklyn, NY (US)

(72) Inventor: **Natela Tskhovrebova**, Brooklyn, NY (US)

(**) Term: **15 Years**

(21) Appl. No.: **29/541,066**

(22) Filed: **Sep. 30, 2015**

(51) **LOC (10) Cl.** **09-07**

(52) **U.S. Cl.**
USPC **D9/447**

(58) **Field of Classification Search**
USPC D9/415, 434, 435, 440, 446-450, 452, D9/453, 454, 455-457, 499; D7/387, D7/388, 396.2, 396.4, 396.6, 398, 403, D7/509, 510, 511; D3/202, 203.2, 247, D3/294, 304, 318; D28/91.1; D8/343, D8/346, 352, 382, 397, 399
CPC .. A61J 1/00; A61J 1/1412; B65D 1/00; B65D 1/02; B65D 1/10; B65D 1/46; B65D 2585/56; B65D 41/00; B65D 41/56; B65D 41/62; B65D 47/06; B65D 47/08; B65D 2543/00046; B65D 2543/00092; B65D 2543/00296

See application file for complete search history.

(56) **References Cited**

U.S. PATENT DOCUMENTS

- 3,977,559 A * 8/1976 Lombardi B65D 43/0256 220/254.3
- 4,202,459 A * 5/1980 DeParales B65D 43/0218 220/254.3
- D267,633 S * 1/1983 Christian D9/438
- D274,502 S * 7/1984 Little D9/438
- 4,629,088 A * 12/1986 Durgin B65D 43/0212 220/254.3

- D291,411 S * 8/1987 Crawford D9/440
- 4,738,373 A * 4/1988 DeParales B65D 43/0256 220/254.3
- 4,760,934 A * 8/1988 Netsch B65D 47/10 220/269
- D318,777 S * 8/1991 Freese D7/392
- 5,090,584 A * 2/1992 Roberts B65D 43/0256 220/268
- 5,111,961 A * 5/1992 Van Melle B65D 43/0268 220/712
- 5,183,172 A * 2/1993 Boller B65D 43/0256 220/254.1
- 5,335,812 A * 8/1994 Boller B65D 43/0256 215/250

(Continued)

Primary Examiner — Karen S Acker
Assistant Examiner — Wendy Arminio
(74) *Attorney, Agent, or Firm* — Lawrence G. Fridman, Esq.; Feigin & Fridman, LLC

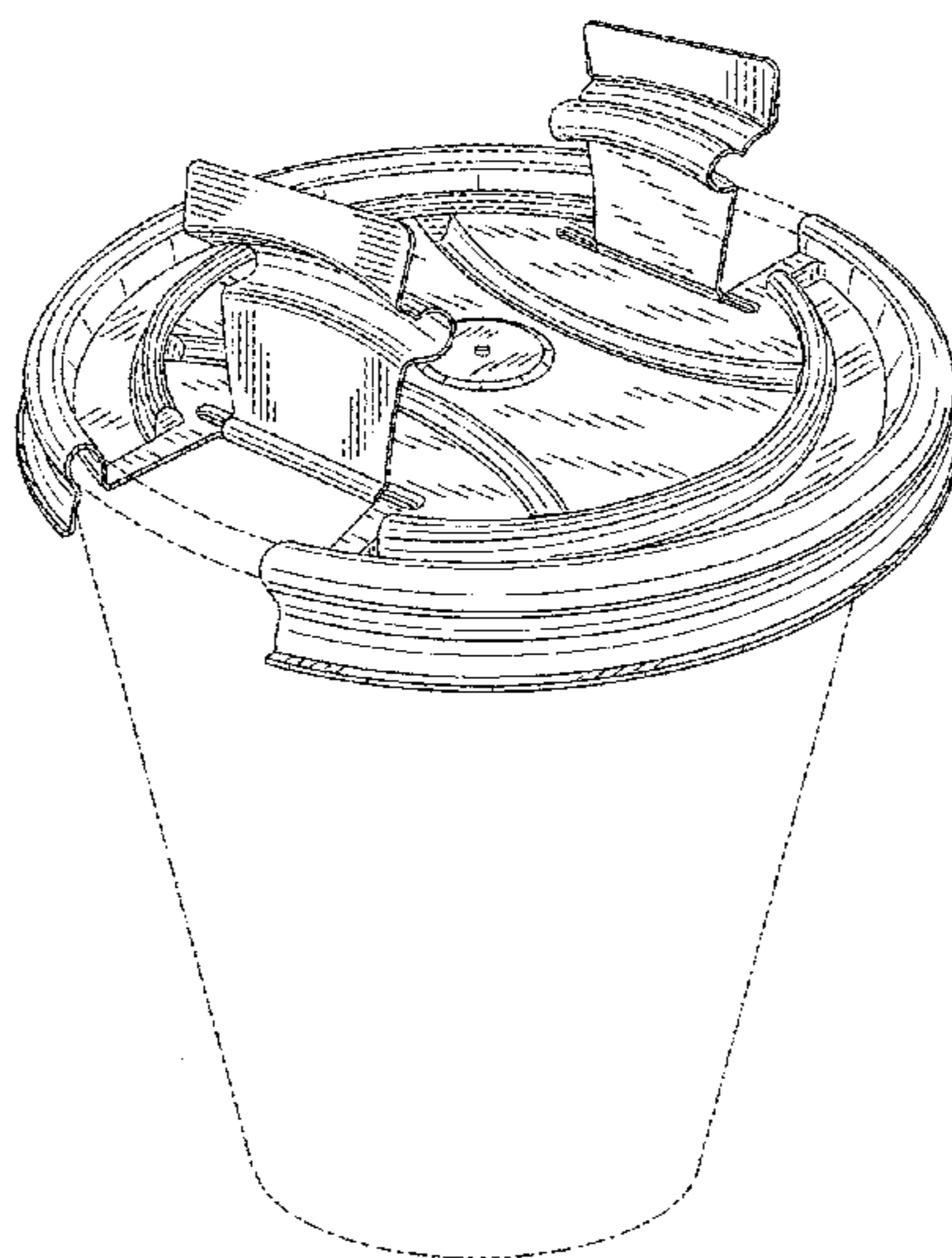
(57) **CLAIM**

The ornamental design for a cover for a container, as shown and described.

DESCRIPTION

FIG. 1 is a perspective view of a cover for a container showing the opening flaps in the extended position; FIG. 2 is a perspective view thereof showing the opening flaps in the retracted position; FIG. 3 is a top perspective view thereof showing the opening flaps in a closed position; FIG. 4 is a top plan view thereof; FIG. 5 is a bottom plan view thereof; FIG. 6 is a front elevational view thereof; FIG. 7 is a rear elevational view thereof; and, FIG. 8 is one side elevational view thereof (the other side elevational view is a mirror image of FIG. 8). The dot-dash-dot broken lines in FIGS. 1 and 2 showing a container depict environment and form no part of the claimed design.

1 Claim, 6 Drawing Sheets



(56)

References Cited

U.S. PATENT DOCUMENTS

D354,438 S * 1/1995 Miller D9/438
5,392,949 A * 2/1995 McKenna B65D 47/0847
220/266
D360,133 S * 7/1995 Boller D9/447
D405,011 S * 2/1999 DeCoster D9/447
6,079,588 A * 6/2000 Khafizov B65D 43/0256
220/675
D431,458 S * 10/2000 Bried D3/203.2
6,260,727 B1 * 7/2001 Durdon B65D 43/0268
220/254.3
D476,567 S * 7/2003 Weiss D9/438
D570,685 S * 6/2008 Koennecke D9/447
2004/0195239 A1 * 10/2004 Rush B65D 43/0256
220/254.3
2008/0245792 A1 * 10/2008 Chou B65D 47/0847
220/254.3
2013/0299497 A1 * 11/2013 Rauer B65D 17/161
220/270
2016/0114937 A1 * 4/2016 Hylton A47G 19/2205
206/519

* cited by examiner

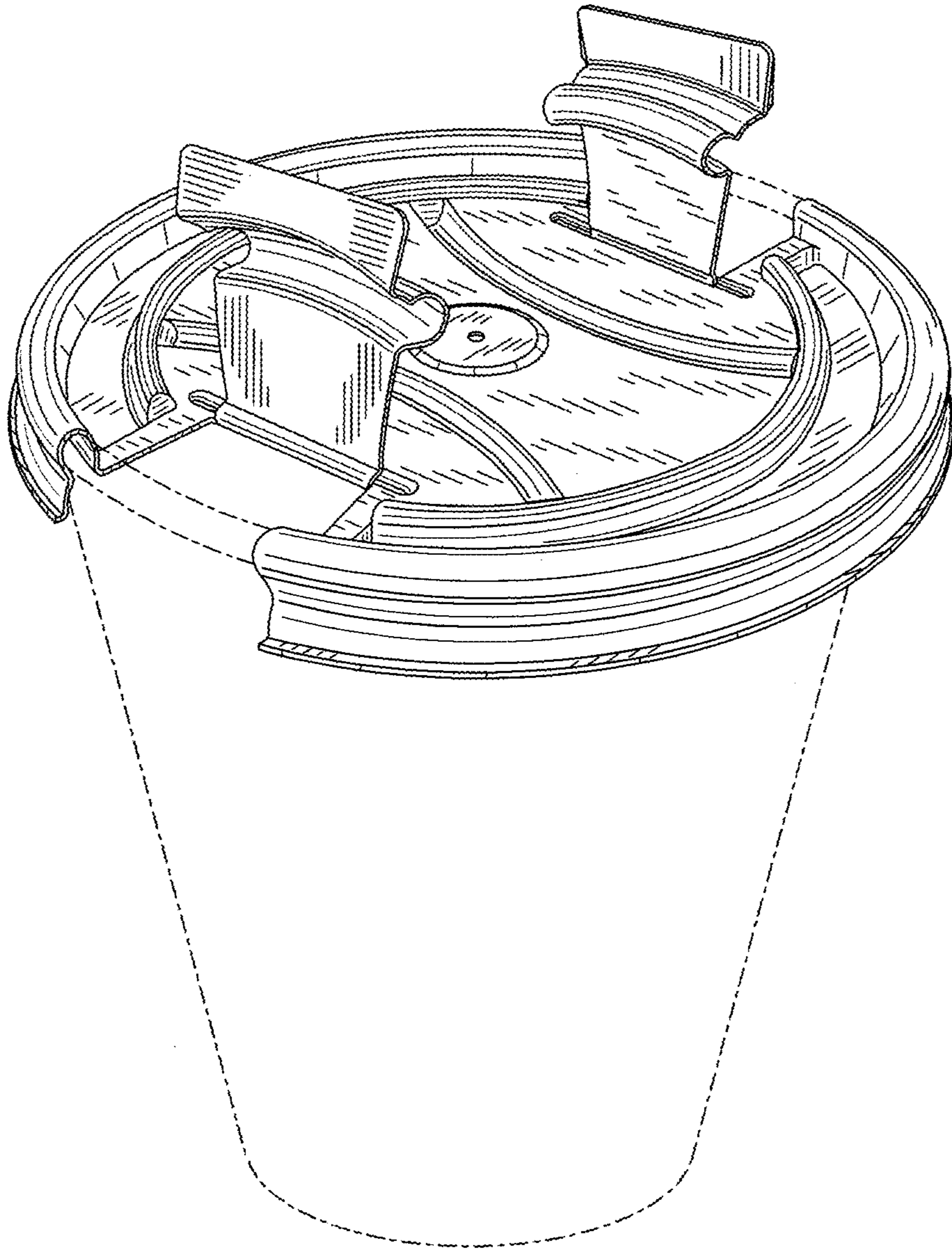


FIG. 1

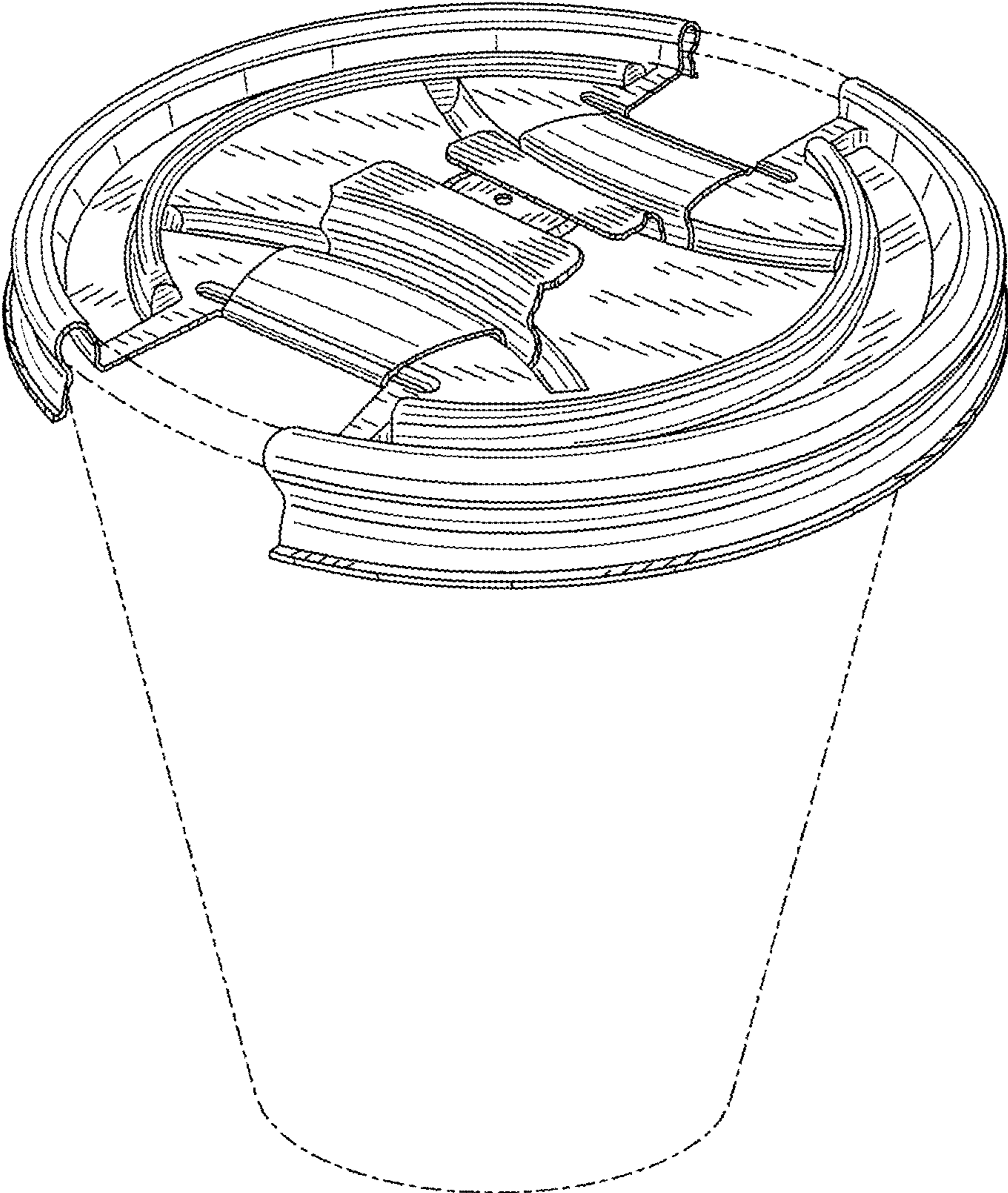


FIG. 2

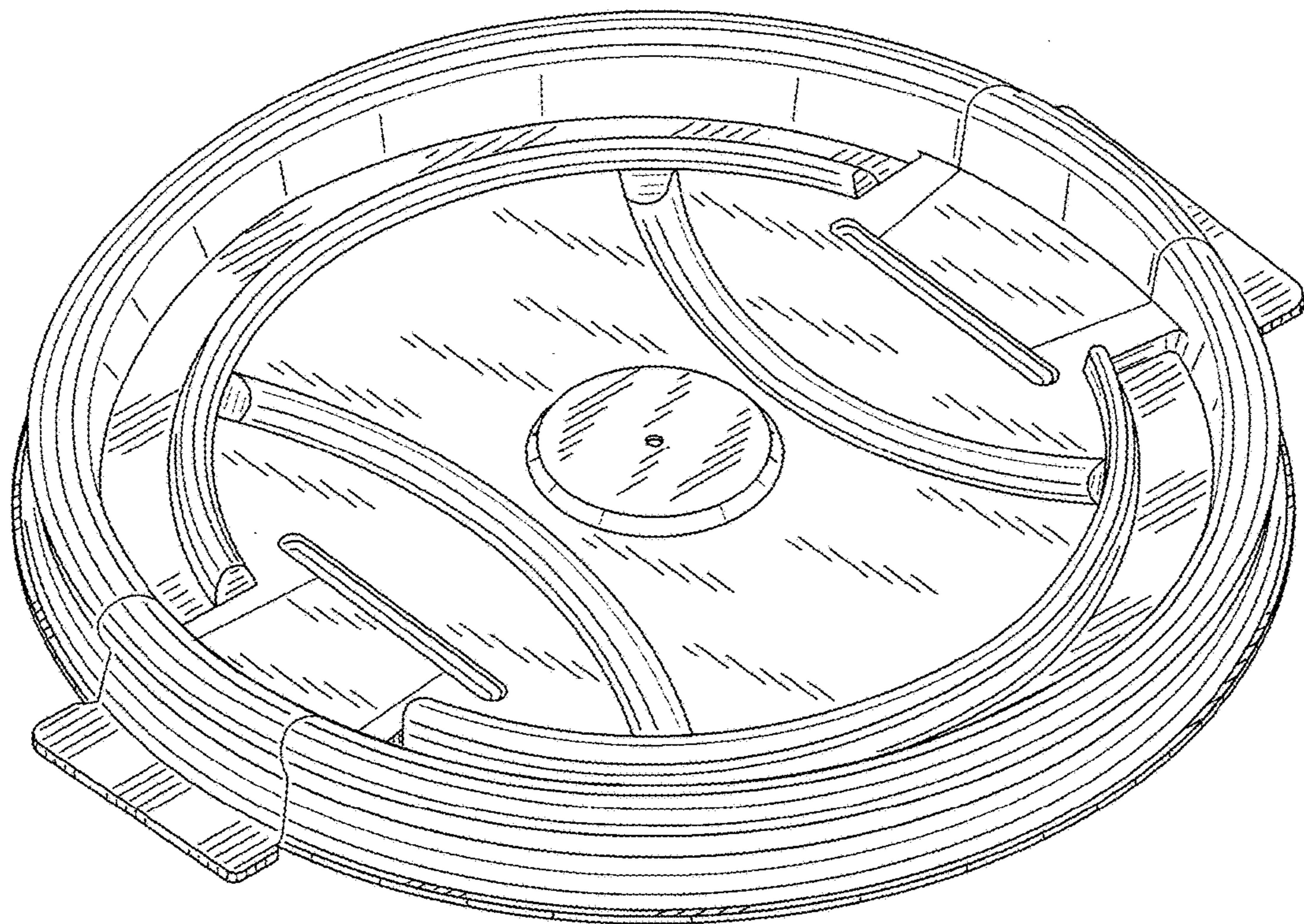


FIG. 3

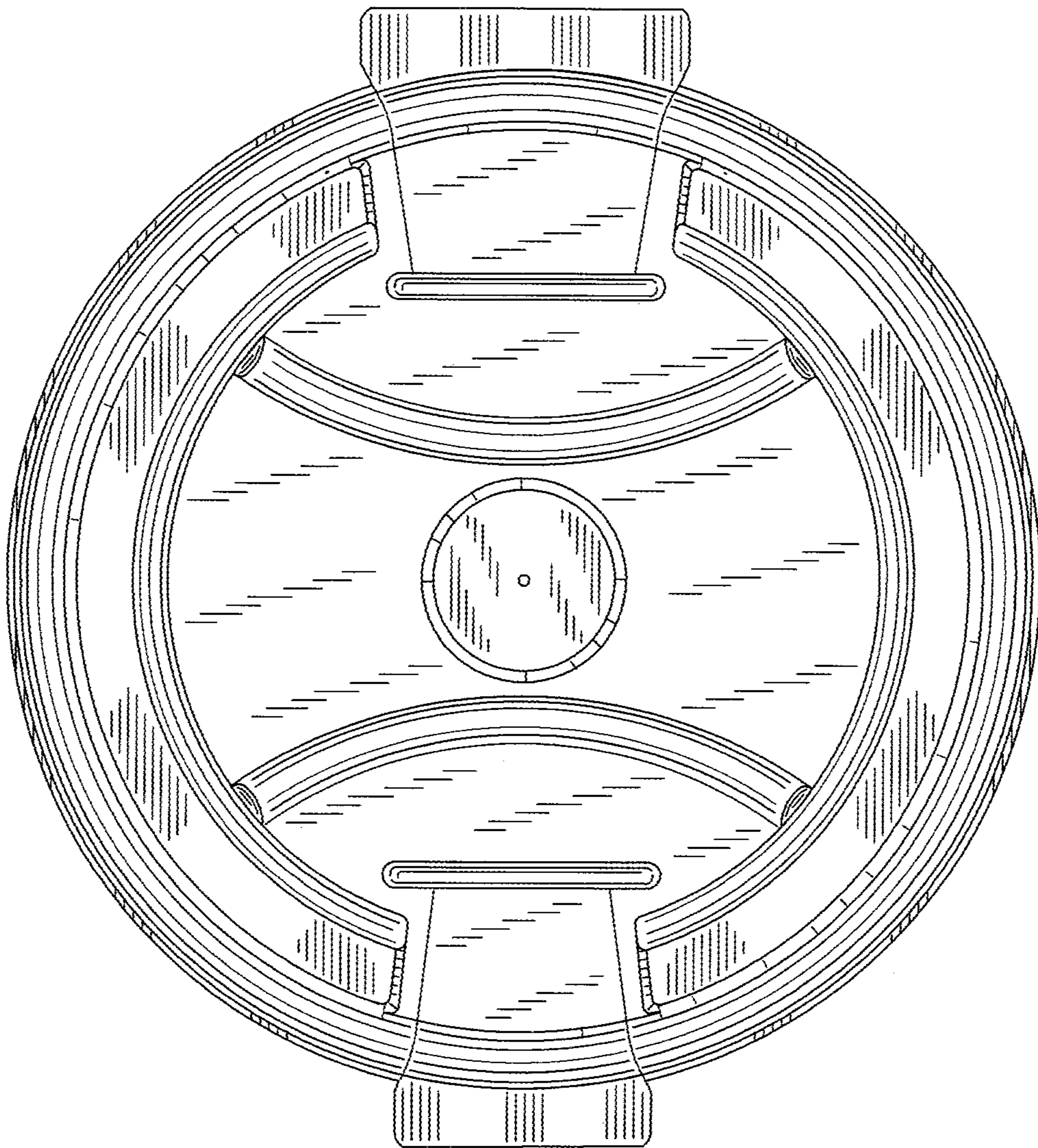


FIG. 4

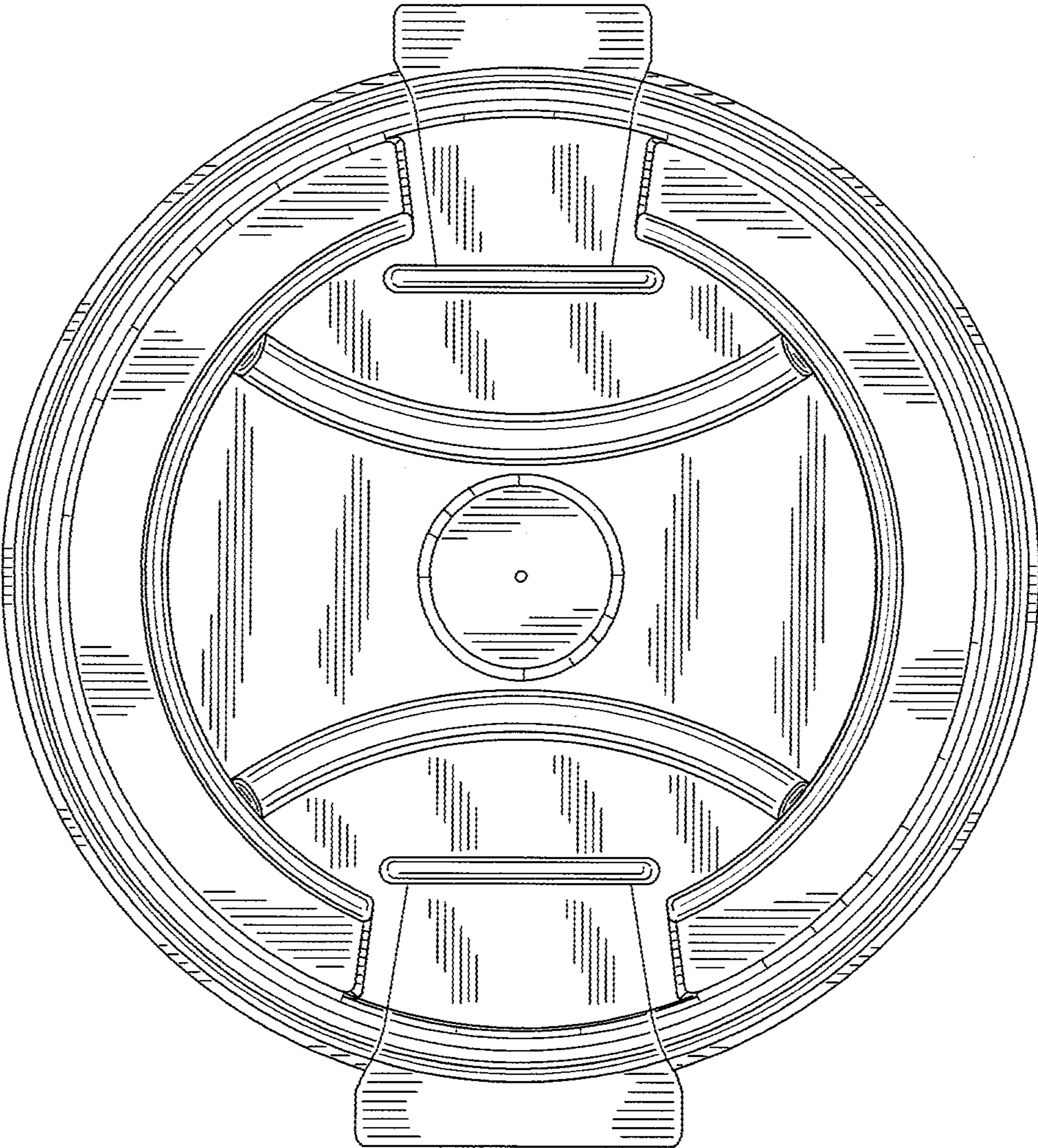


FIG. 5

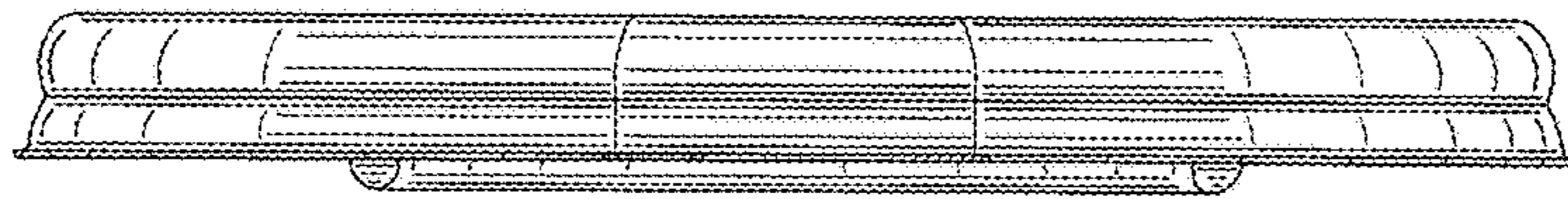


FIG. 6

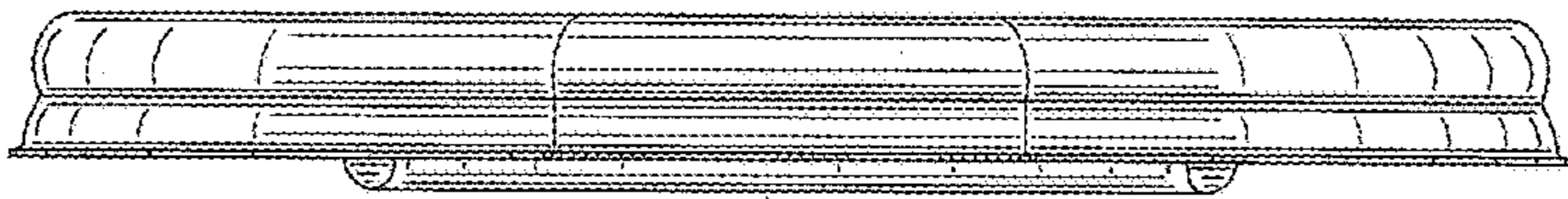


FIG. 7

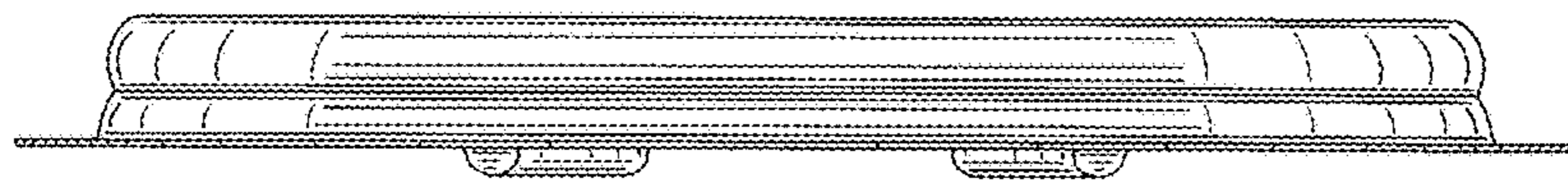


FIG. 8