



US00D799317S

(12) **United States Design Patent** (10) **Patent No.:** **US D799,317 S**
Sill et al. (45) **Date of Patent:** **** Oct. 10, 2017**

(54) **CLOSEABLE CONTAINER**
(71) Applicant: **Inno-Pak, LLC**, Delaware, OH (US)
(72) Inventors: **Jonathan D. Sill**, Powell, OH (US);
Steven A. Mayer, Indianapolis, IN (US)
(73) Assignee: **Inno-Pak, LLC**, Delaware, OH (US)

D415,960 S * 11/1999 Majdanski D9/415
D464,878 S 10/2002 Thompson
D469,349 S 1/2003 Meeker et al.
D469,692 S * 2/2003 Meeker D9/431
D485,172 S 1/2004 Defino
D519,366 S * 4/2006 Epstein D9/431
D536,245 S * 2/2007 Bruun D9/422
D536,612 S * 2/2007 Geurts D9/432

(Continued)

(**) Term: **15 Years**
(21) Appl. No.: **29/573,602**
(22) Filed: **Aug. 8, 2016**

Related U.S. Application Data

(62) Division of application No. 29/545,314, filed on Nov. 11, 2015, now Pat. No. Des. 776,522.
(51) **LOC (10) Cl.** **09-03**
(52) **U.S. Cl.**
USPC **D9/418**
(58) **Field of Classification Search**
USPC D9/414-419, 499, 431, 432, 420-422;
D19/91; D7/612; 206/589
CPC B65D 5/4204
See application file for complete search history.

References Cited

U.S. PATENT DOCUMENTS

D259,253 S 5/1981 Nelson
D291,065 S 7/1987 Pugh
D295,958 S 5/1988 Pugh
4,911,298 A 3/1990 Miyagawa
D309,262 S 7/1990 Coiner
D332,347 S 1/1993 Raadt
D332,744 S 1/1993 McCooey
D333,781 S 3/1993 Kobel
D365,755 S 1/1996 Kanfer et al.
D372,401 S * 8/1996 Lillelund D7/612
D401,147 S 11/1998 Miller

OTHER PUBLICATIONS

Notice of Allowance dated Apr. 18, 2016 from U.S. Appl. No. 29/527,085.
Office Action dated Feb. 1, 2016 from U.S. Appl. No. 29/516,707.

Primary Examiner — Rhea Shields

(74) *Attorney, Agent, or Firm* — Ward and Smith, P.A.;
Ryan K. Simmons

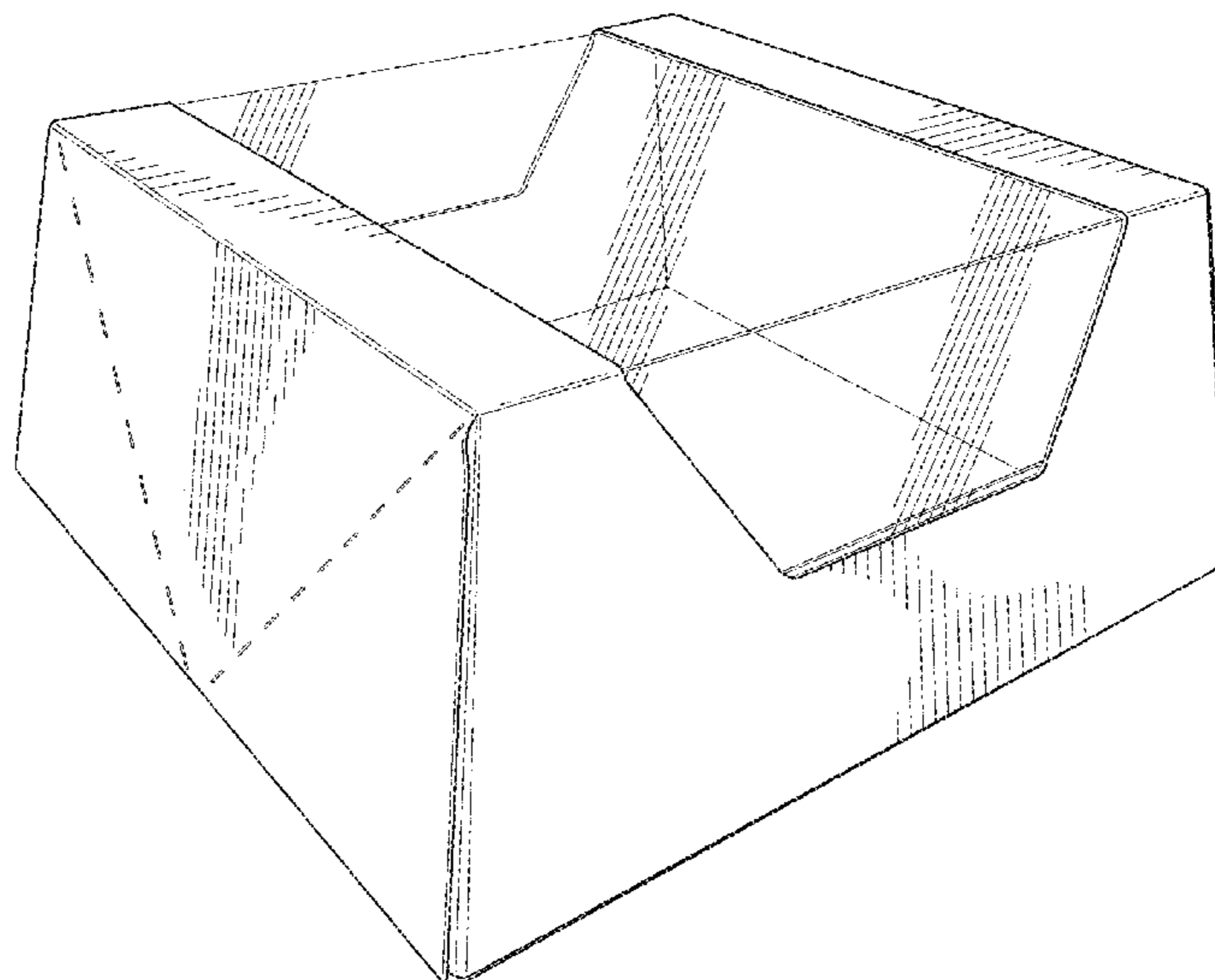
(57) **CLAIM**

The ornamental design for a closeable container, as shown and described.

DESCRIPTION

FIG. 1 is a perspective view of a closeable container showing a new design;
FIG. 2 is a front elevation view thereof, the rear being a mirror image;
FIG. 3 is a right side elevation view thereof, the left side being a mirror image;
FIG. 4 is a top plan view thereof;
FIG. 5 is a bottom plan view thereof;
FIG. 6 is another top plan view of the closeable container showing the closeable container in a blank configuration; and,
FIG. 7 is another perspective view of the closeable container showing the closeable container in an open configuration. In the drawings, the broken lines are for the purpose of illustrating perforations.

1 Claim, 6 Drawing Sheets



(56)

References Cited

U.S. PATENT DOCUMENTS

D578,883 S	10/2008	Kisch	
D580,751 S	11/2008	Blick	
D587,998 S	3/2009	Kaisanlahti	
D593,211 S	5/2009	Dewitt	
D595,104 S	6/2009	Goodrich	
D602,353 S	10/2009	Anderson et al.	
D607,987 S	1/2010	Paxton	
D617,636 S	6/2010	Vanhoutte	
D618,543 S	6/2010	Polaski	
7,780,004 B2	8/2010	Carlozzi	
D623,939 S	9/2010	Tearle	
D626,831 S	11/2010	Nicholas	
D636,662 S *	4/2011	Ignacio	D9/418
D637,078 S	5/2011	Peng	
D638,702 S	5/2011	Lowery	
D644,099 S	8/2011	Martinez Rodriguez	
D644,508 S	9/2011	Martinez Rodriguez	
D646,964 S	10/2011	Ampadu	
D647,398 S	10/2011	Winkler	
D649,067 S *	11/2011	Birdwell	D9/418
D649,886 S	12/2011	Ocampo	
D651,074 S	12/2011	Lacey	
D655,153 S	3/2012	Mitten	
D668,540 S	10/2012	Lutzig	
D675,092 S *	1/2013	Sill	D9/431
D675,920 S	2/2013	Sill	
D678,779 S	3/2013	Lee	
D679,950 S	4/2013	Cooper	
D681,444 S	5/2013	Oja et al.	
D685,633 S	7/2013	Thomas	
D688,568 S	8/2013	Noel	
D693,215 S	11/2013	Sill	
D693,216 S *	11/2013	Sill	D9/418
D693,217 S *	11/2013	Sill	D9/418
D693,218 S	11/2013	Sill	
D695,104 S *	12/2013	Sill	D9/418
D696,725 S *	12/2013	Sasken-Duff	D19/91
8,607,987 B2	12/2013	Oja et al.	
D706,132 S *	6/2014	Sill	D9/432
D708,511 S	7/2014	Green	
D712,275 S *	9/2014	Irek	D9/418
D713,716 S	9/2014	Oja et al.	
D716,649 S *	11/2014	McAdam	D9/418
D717,162 S	11/2014	Baker	
D717,163 S	11/2014	Paulsen	
D717,645 S	11/2014	Wilmers	
D719,440 S	12/2014	Matloff	
D727,732 S *	4/2015	Petty	D9/415
D728,357 S	5/2015	Pierce	
D729,055 S	5/2015	Lemnios et al.	
D729,058 S	5/2015	Ishikawa	
D739,228 S *	9/2015	Jondal	D9/421
D746,673 S	1/2016	Sanfilippo	
D746,700 S	1/2016	Boehnen et al.	
D753,919 S	4/2016	Parker	
D760,598 S	7/2016	White	
D762,113 S	7/2016	Mayer	
D766,108 S	9/2016	Brown	
D774,891 S	12/2016	Mayer	
D774,893 S	12/2016	Mayer	
D774,895 S	12/2016	Mayer	
D774,896 S	12/2016	Mayer	
D774,897 S	12/2016	Mayer	
D774,898 S	12/2016	Mayer	
D776,522 S	1/2017	Mayer	
D786,663 S	5/2017	Mayer	
D787,313 S	5/2017	Mayer	
D787,314 S	5/2017	Sill	
D787,315 S	5/2017	Sill	
D787,316 S	5/2017	Sill	
D787,929 S	5/2017	Sill	
D787,933 S	5/2017	Sill	
2009/0236351 A1	9/2009	Chu et al.	
2010/0059579 A1	3/2010	House	
2014/0103100 A1	4/2014	Falcon	
2015/0344216 A1 *	12/2015	Petty	B65D 5/4204 206/589
2016/0362220 A1	12/2016	Kearns	
2017/0066586 A1	3/2017	Petty	

* cited by examiner

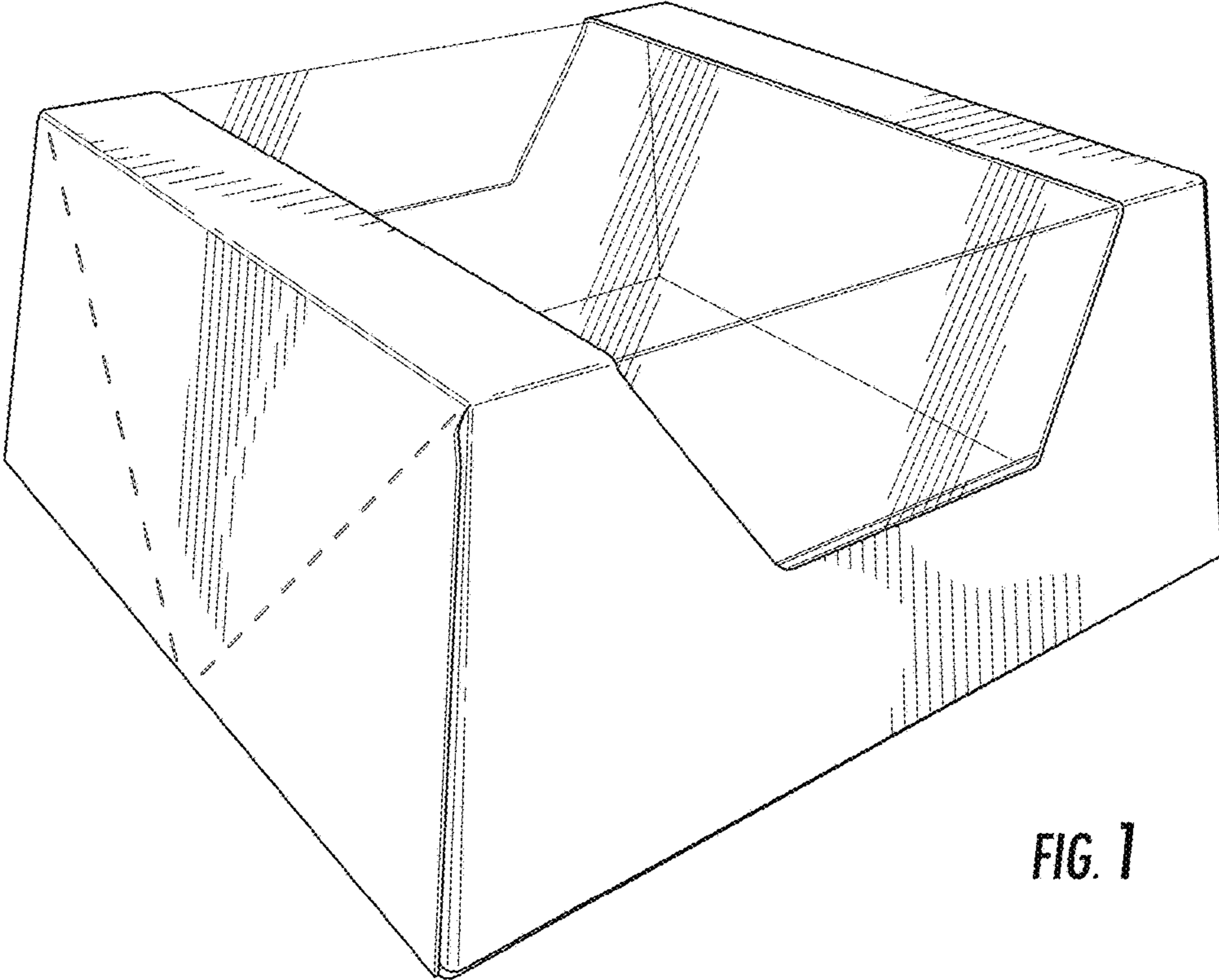


FIG. 1

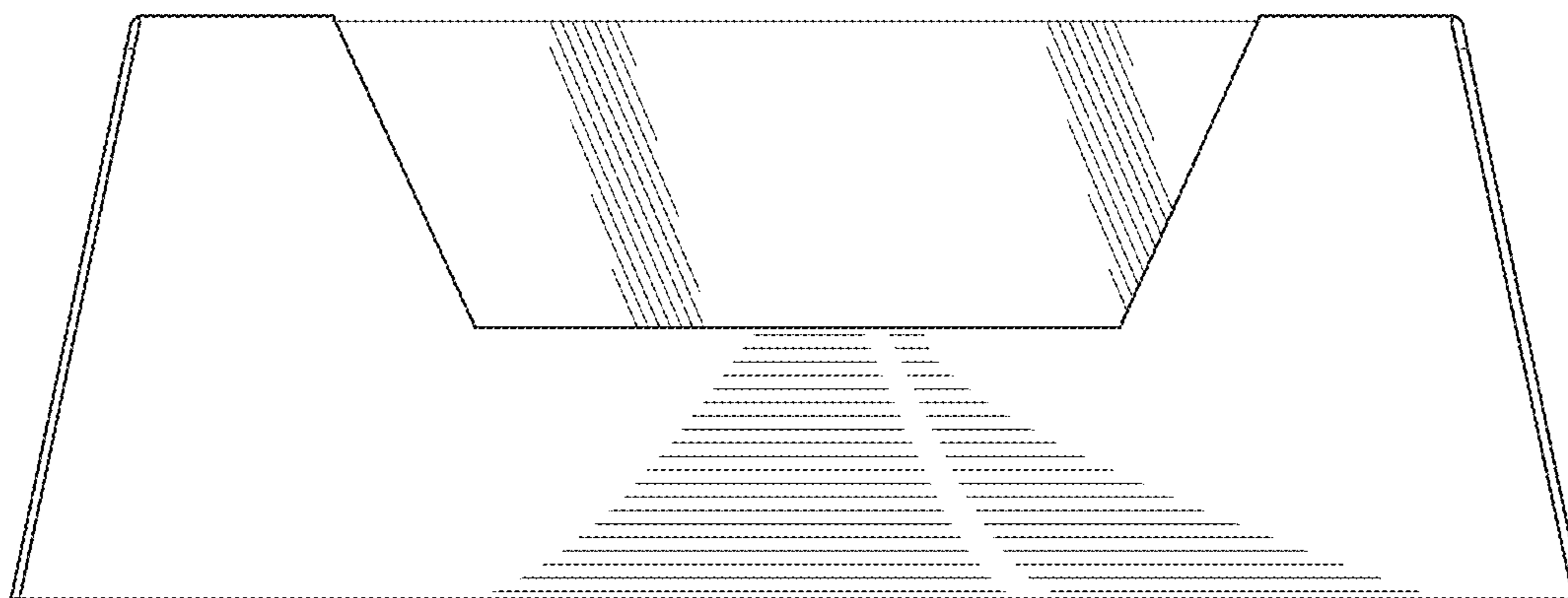


FIG. 2

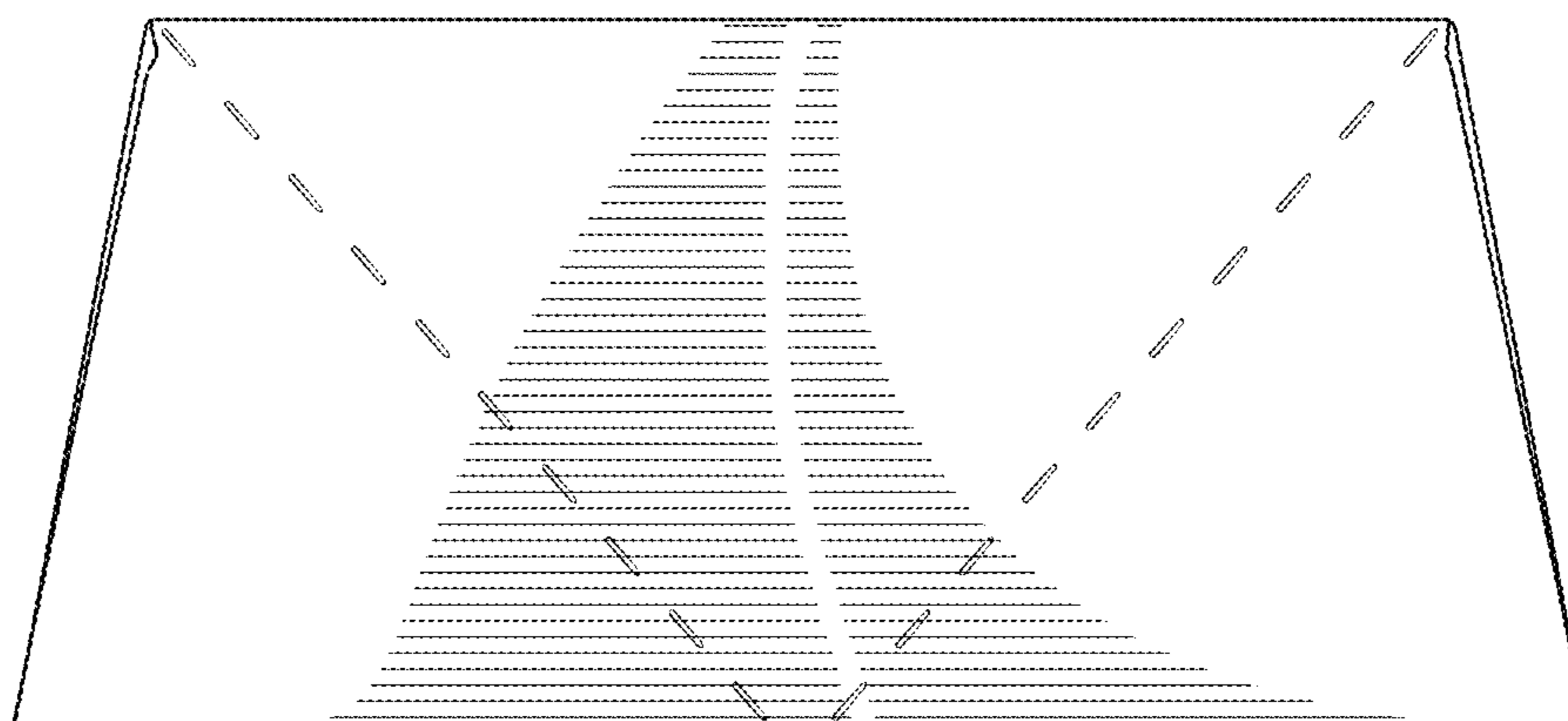


FIG. 3

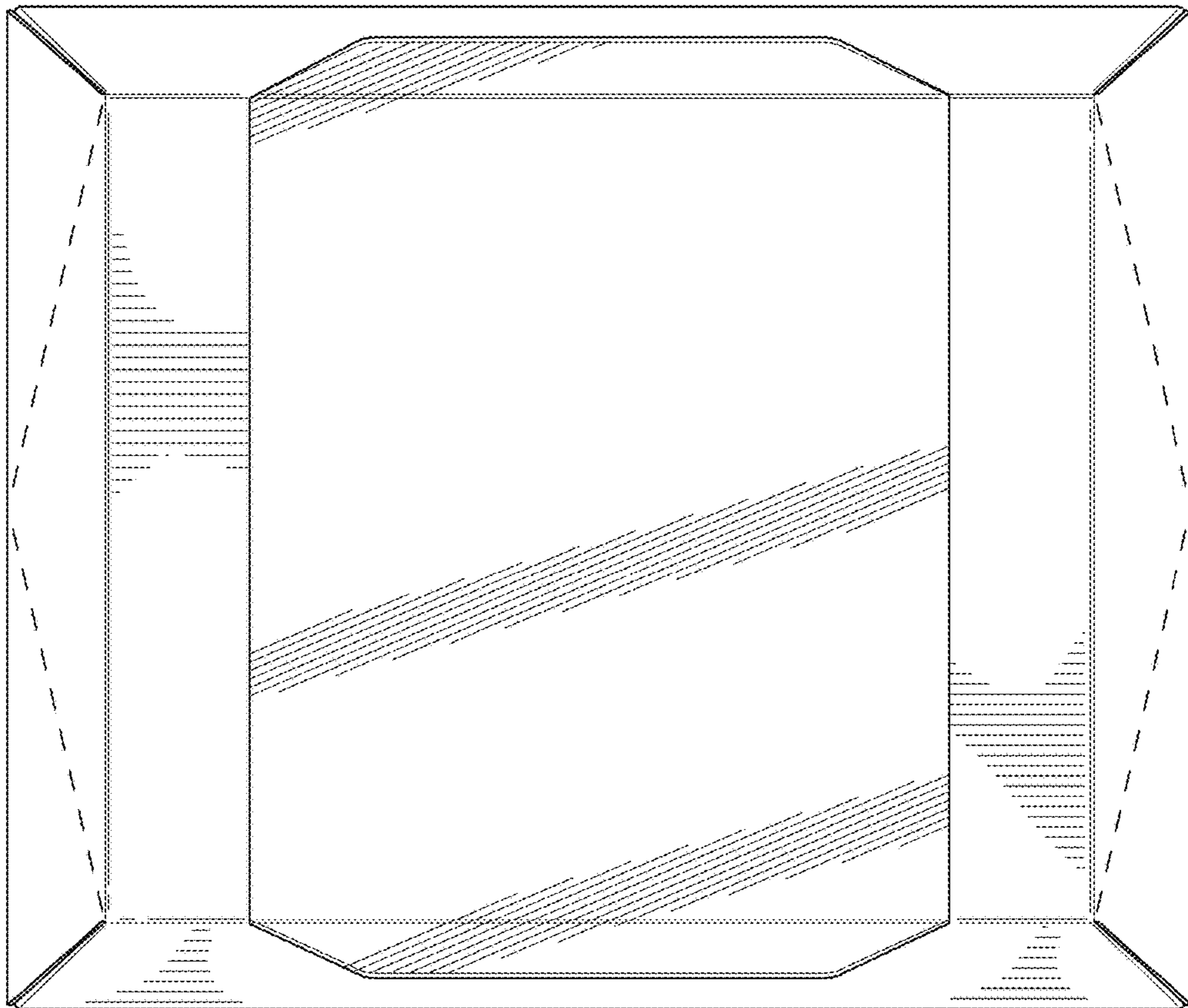


FIG. 4

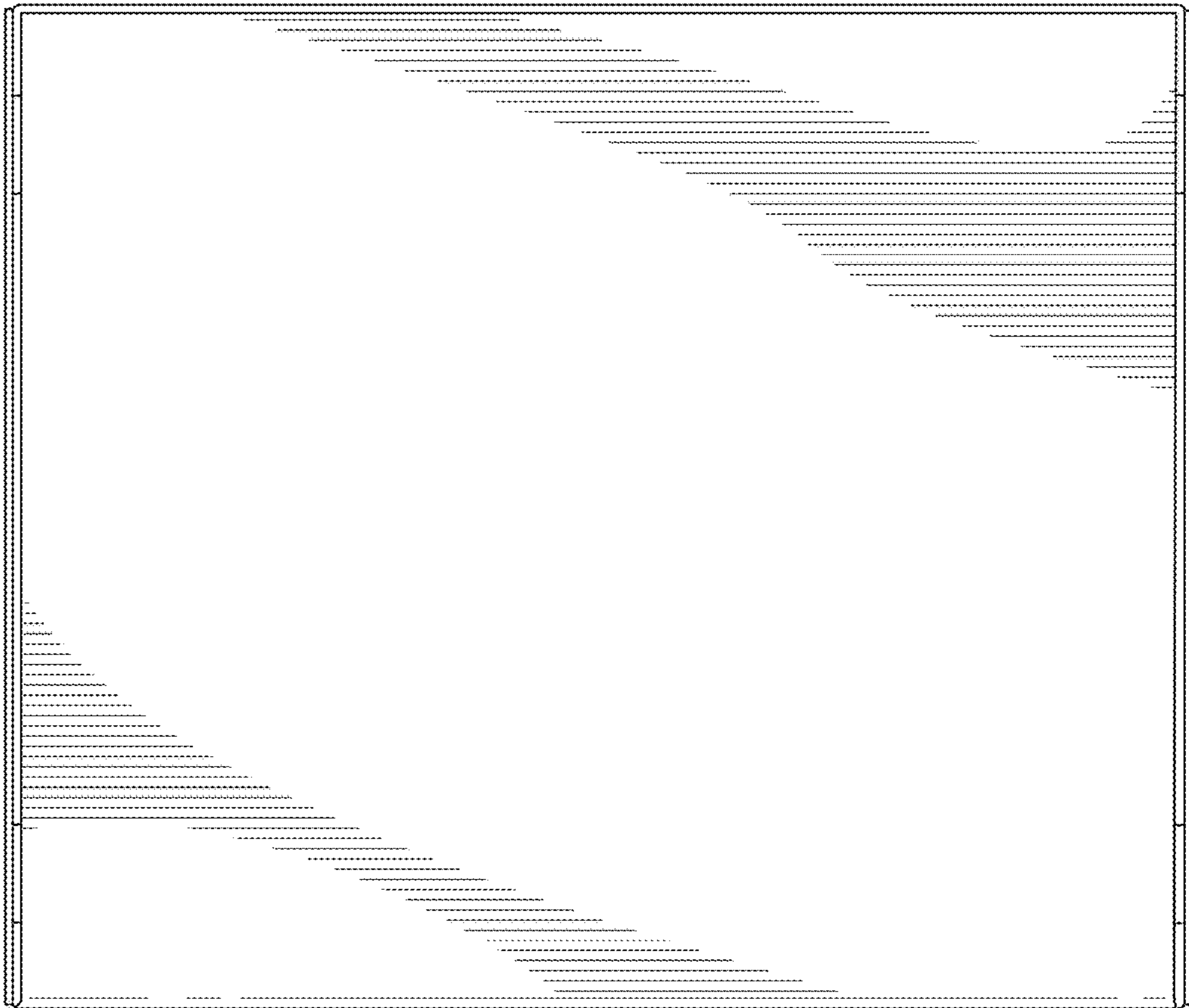


FIG. 5

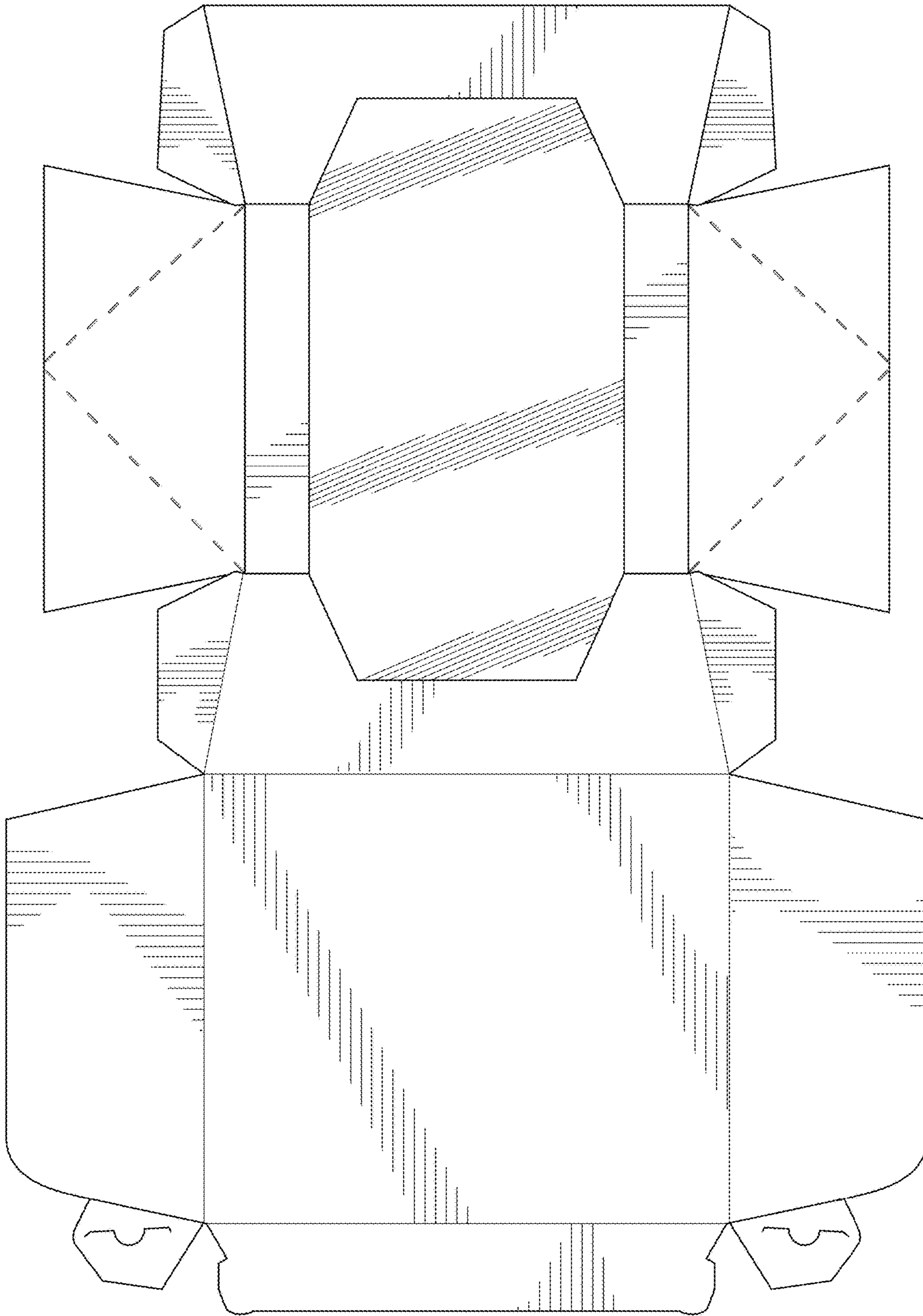


FIG. 6

