



US00D799315S

(12) **United States Design Patent**
May et al.

(10) **Patent No.:** **US D799,315 S**
(45) **Date of Patent:** **** Oct. 10, 2017**

(54) **LOCKNUT**

(71) Applicant: **Security Locknut LLC**, Vernon Hills, IL (US)

(72) Inventors: **David B. May**, Cary, IL (US);
Raymond Thomas Wiltgen, Deerfield, IL (US)

(73) Assignee: **Security Locknut, LLC**, Vernon Hills, IL (US)

(**) Term: **15 Years**

(21) Appl. No.: **29/567,557**

(22) Filed: **Jun. 10, 2016**

(51) **LOC (10) Cl.** **08-08**

(52) **U.S. Cl.**
USPC **D8/397**

(58) **Field of Classification Search**
USPC D8/397, 394, 382, 349, 399, 387, 392,
D8/323, 8; D13/151, 133; D23/303
CPC F16B 37/00; F16B 37/14; F16B 37/02;
F16B 37/068; F16B 39/12; F16B 33/02
See application file for complete search history.

(56) **References Cited**

U.S. PATENT DOCUMENTS

D30,898 S *	5/1899	Paine	411/427
3,522,830 A *	8/1970	Blizard	F16B 39/34
			411/303
4,726,723 A *	2/1988	Bainbridge	F16B 23/0007
			411/432
D367,002 S *	2/1996	Grey	D8/397
D387,657 S *	12/1997	Holmes	D8/397
D459,207 S *	6/2002	Miyata	D8/397
D646,154 S *	10/2011	Andersson	D8/397

D768,473 S *	10/2016	Manwaring	D23/262
D775,941 S *	1/2017	May	D8/397
2002/0012578 A1 *	1/2002	Duran	F16B 5/0208
			411/427

FOREIGN PATENT DOCUMENTS

JP 02195009 A * 8/1990

* cited by examiner

Primary Examiner — John Windmuller
Assistant Examiner — Benjamin Weeks

(74) *Attorney, Agent, or Firm* — Adam K. Sacharoff;
Much Shelist, PC

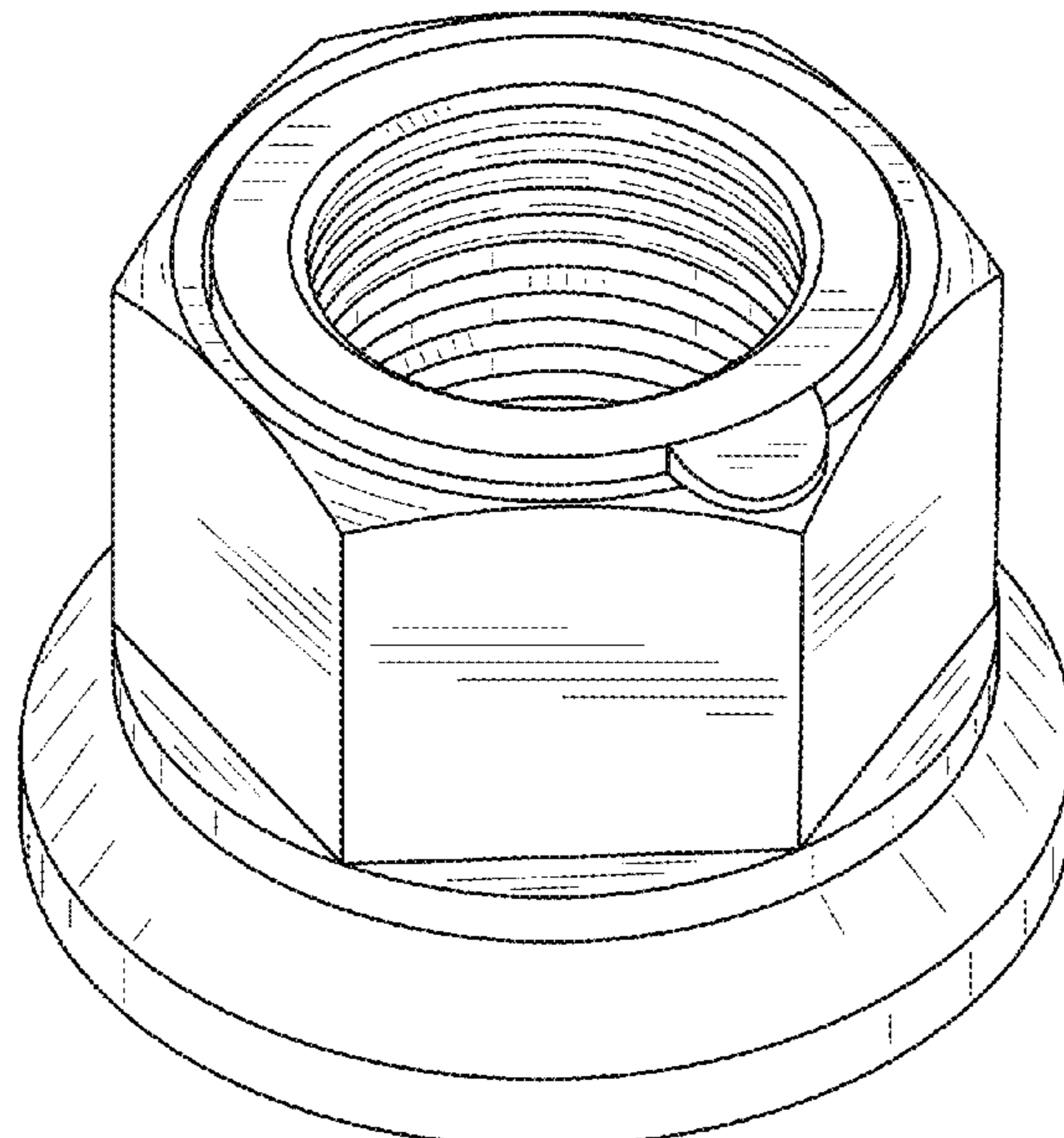
(57) **CLAIM**

The ornamental design for a locknut, as shown and described.

DESCRIPTION

FIG. 1 is a front perspective view showing the new design in an assembled form;
 FIG. 2 is a front side view of FIG. 1;
 FIG. 3 is a rear side view of FIG. 1;
 FIG. 4 is a right side view of FIG. 1;
 FIG. 5 is a left side view of FIG. 1;
 FIG. 6 is a top side view of FIG. 1;
 FIG. 7 is a bottom side view of FIG. 1;
 FIG. 8 is a underside front perspective view of FIG. 1;
 FIG. 9 is a front perspective view showing the new design illustrated in its component parts;
 FIG. 10 is a front side view of FIG. 9;
 FIG. 11 is a rear side view of FIG. 9;
 FIG. 12 is a right side view of FIG. 9;
 FIG. 13 is a left side view of FIG. 9;
 FIG. 14 is a top side view of FIG. 9;
 FIG. 15 is a bottom side view of FIG. 9; and,
 FIG. 16 is a underside front perspective view of FIG. 9.

1 Claim, 11 Drawing Sheets



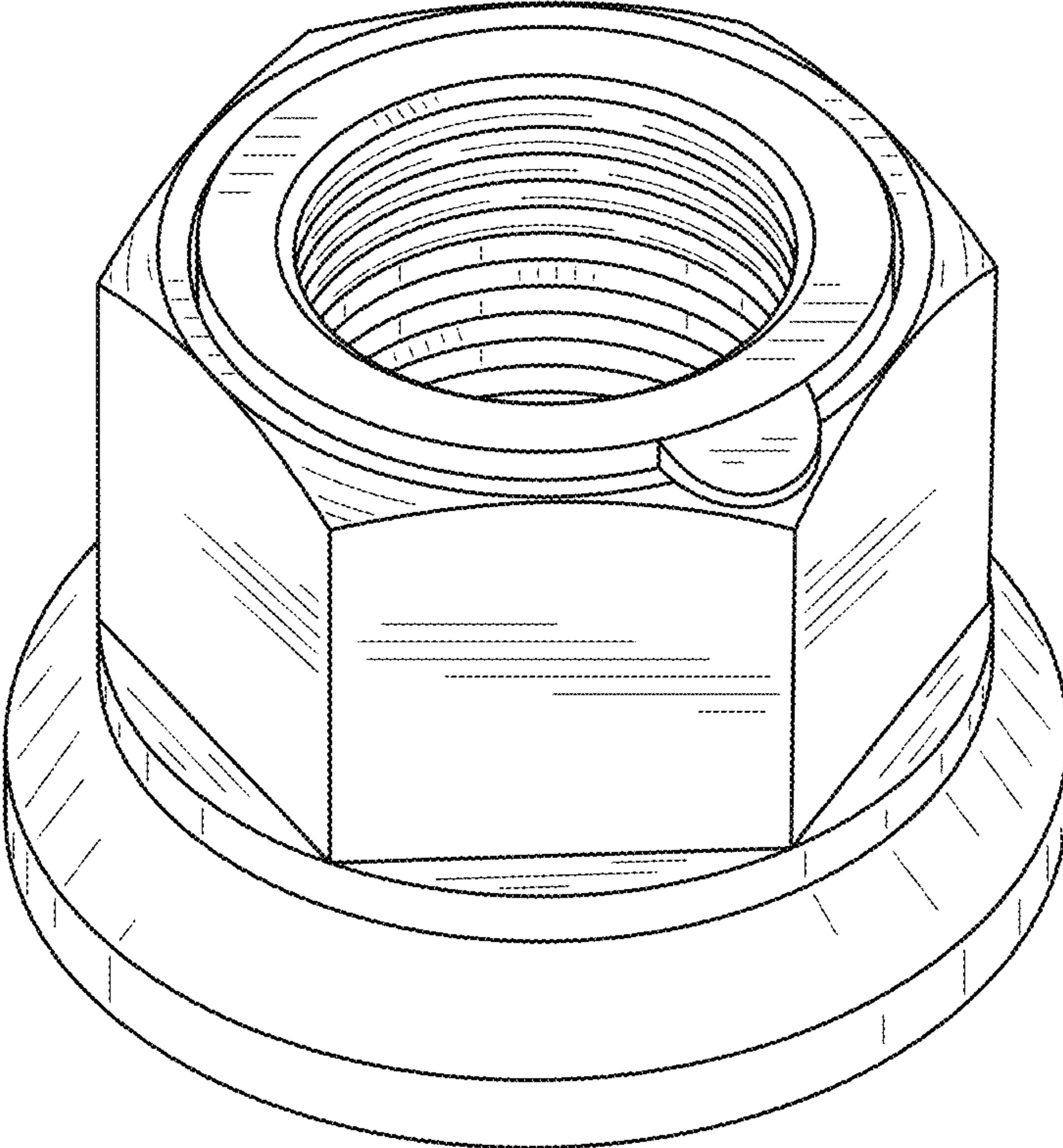


FIG. 1

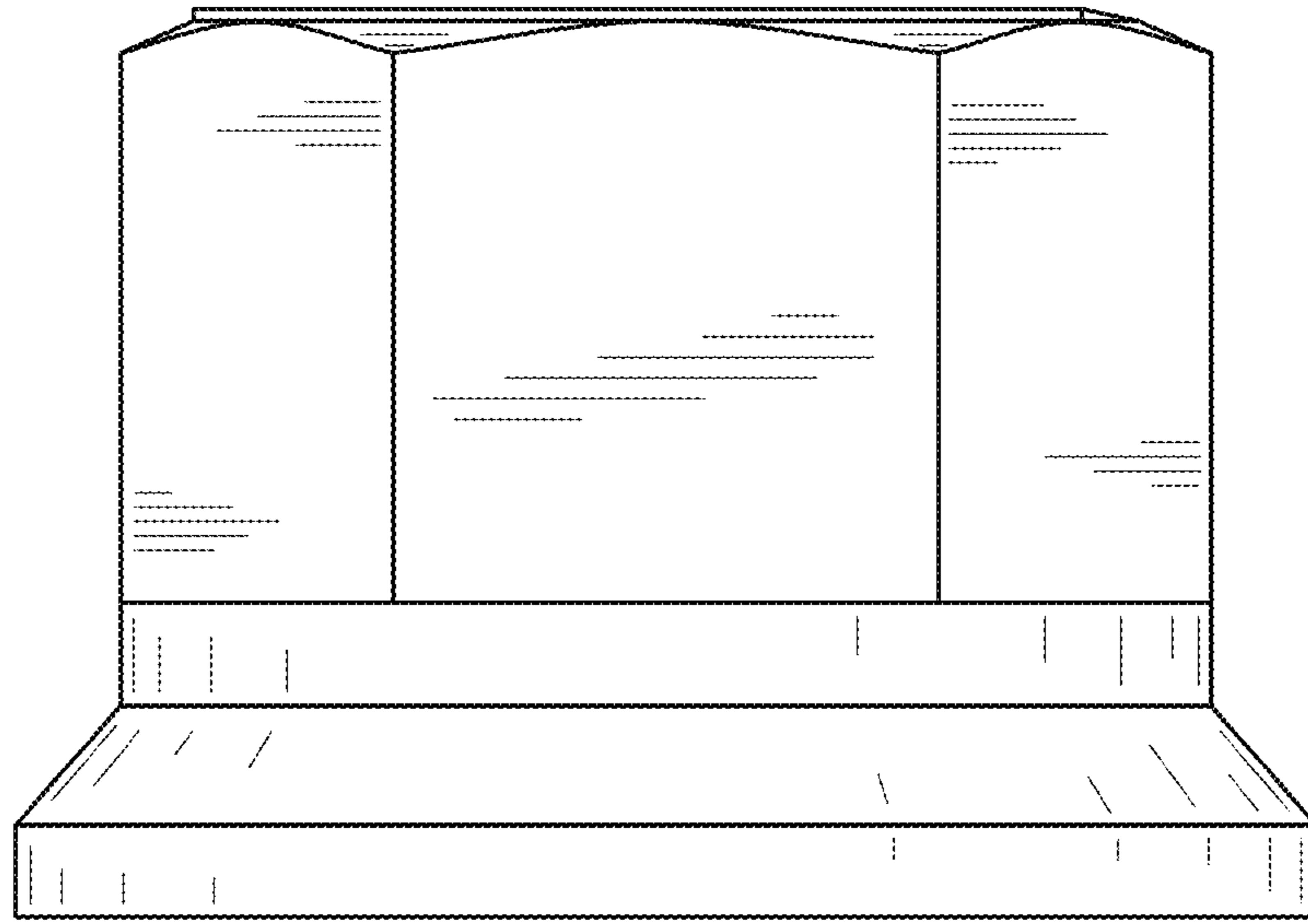


FIG. 2

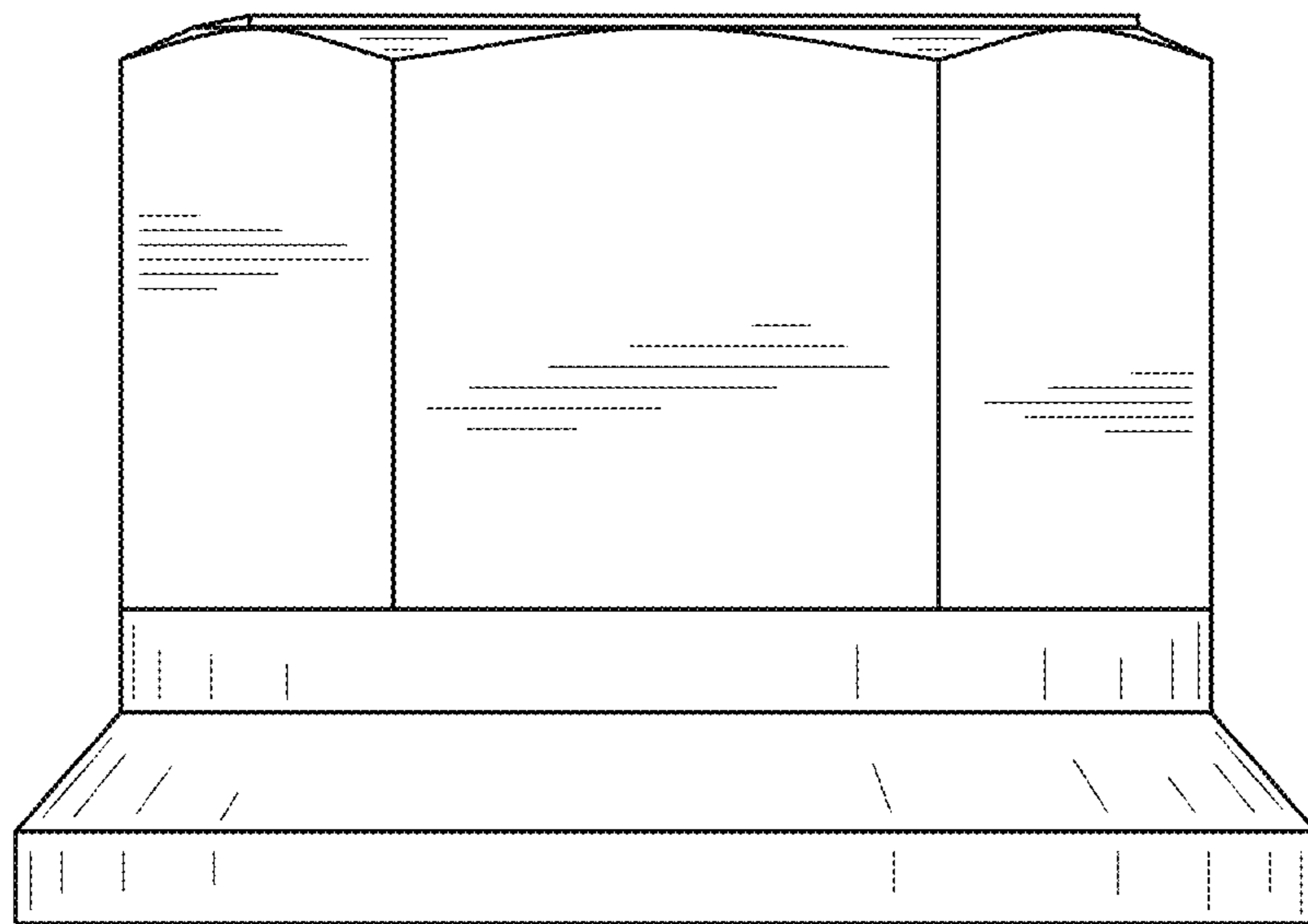


FIG. 3

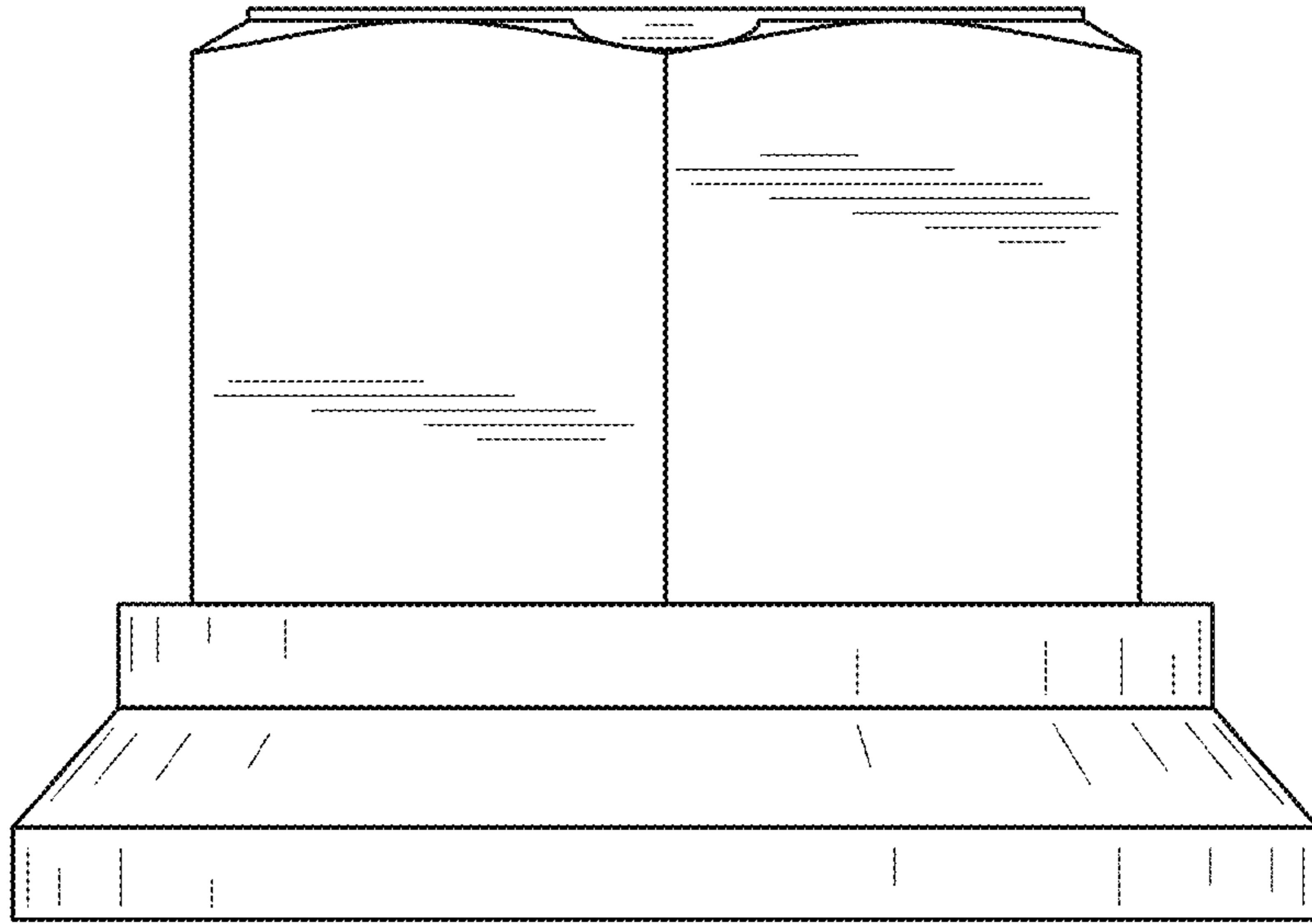


FIG. 4

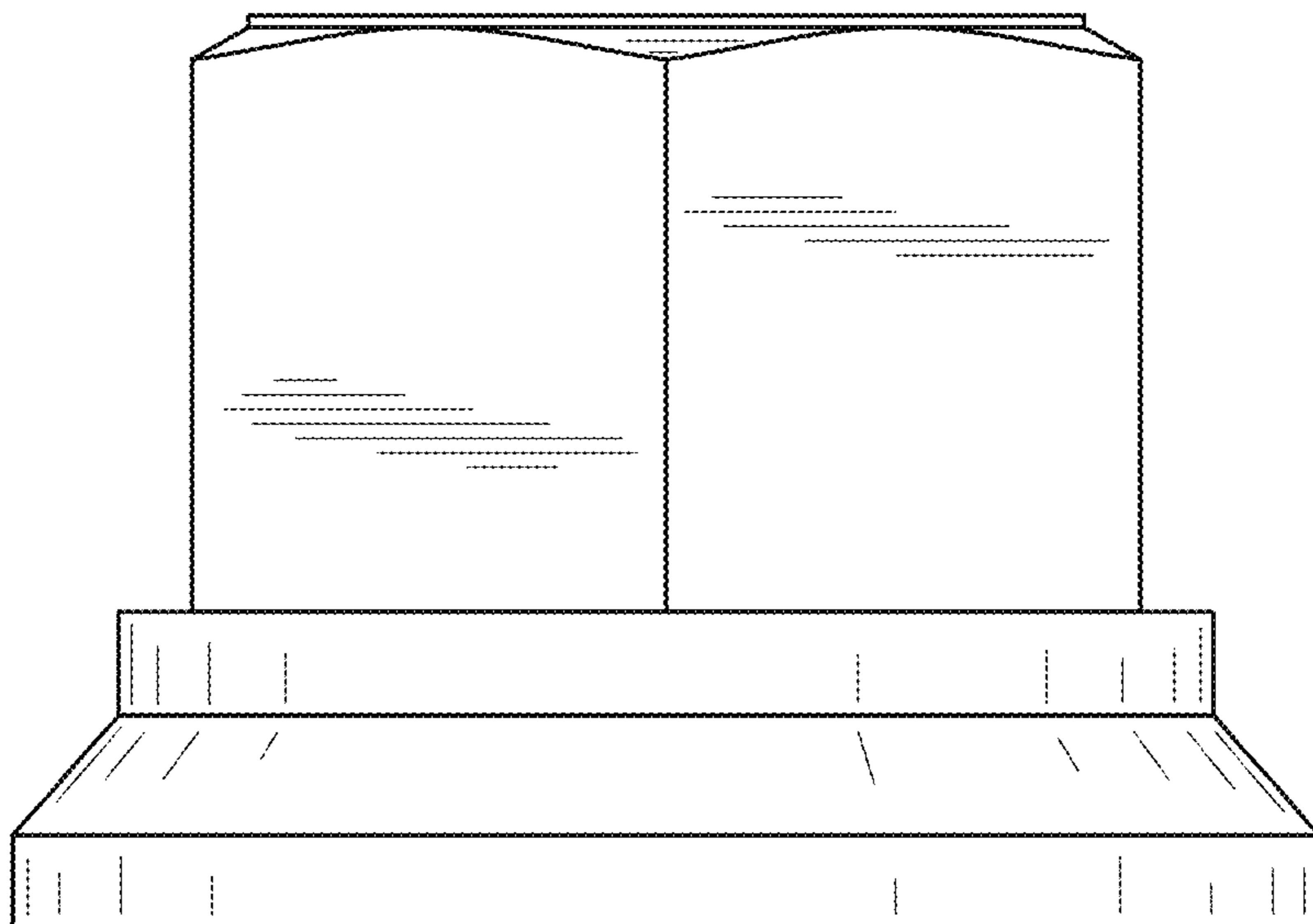


FIG. 5

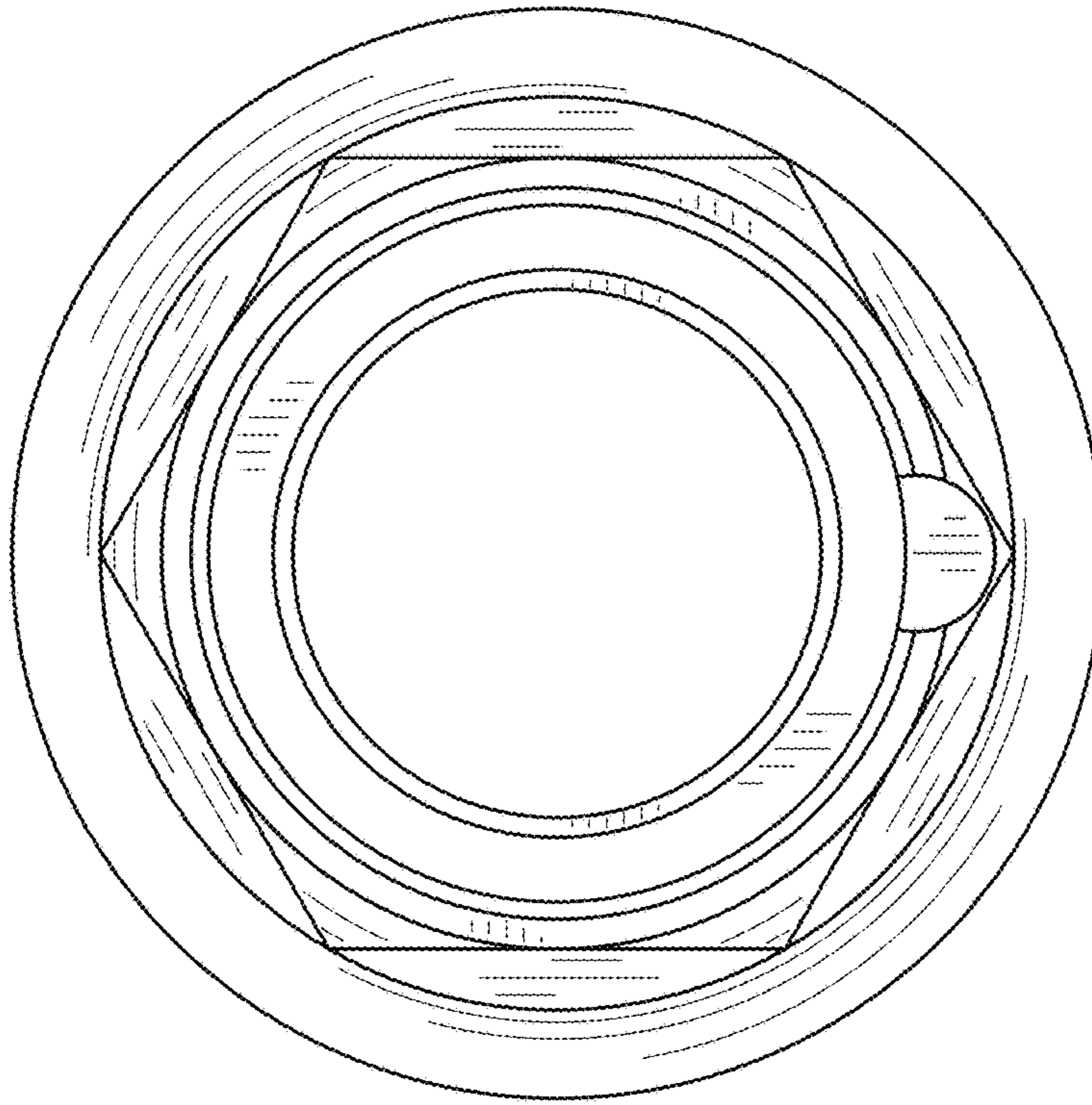


FIG. 6

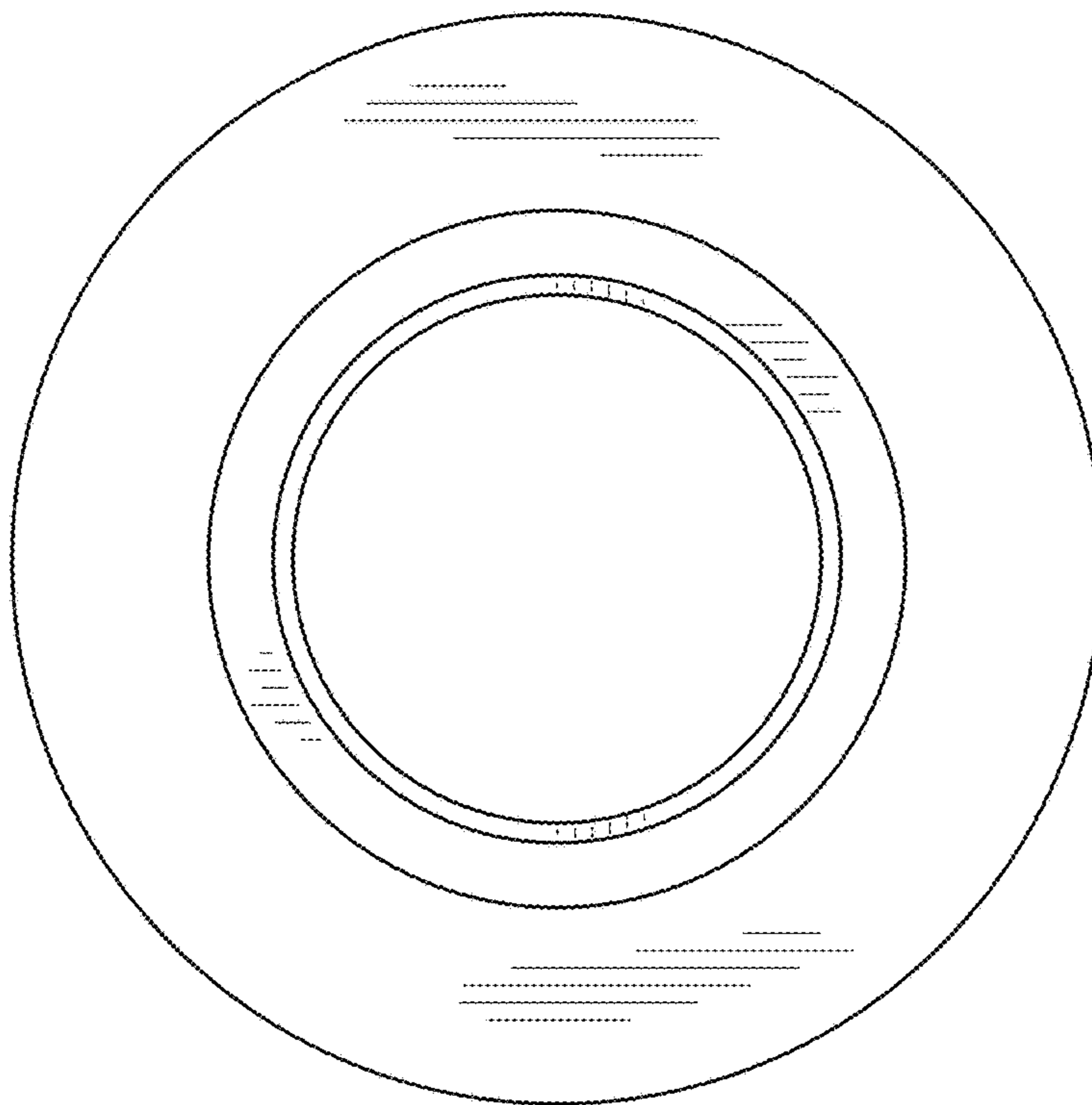


FIG. 7

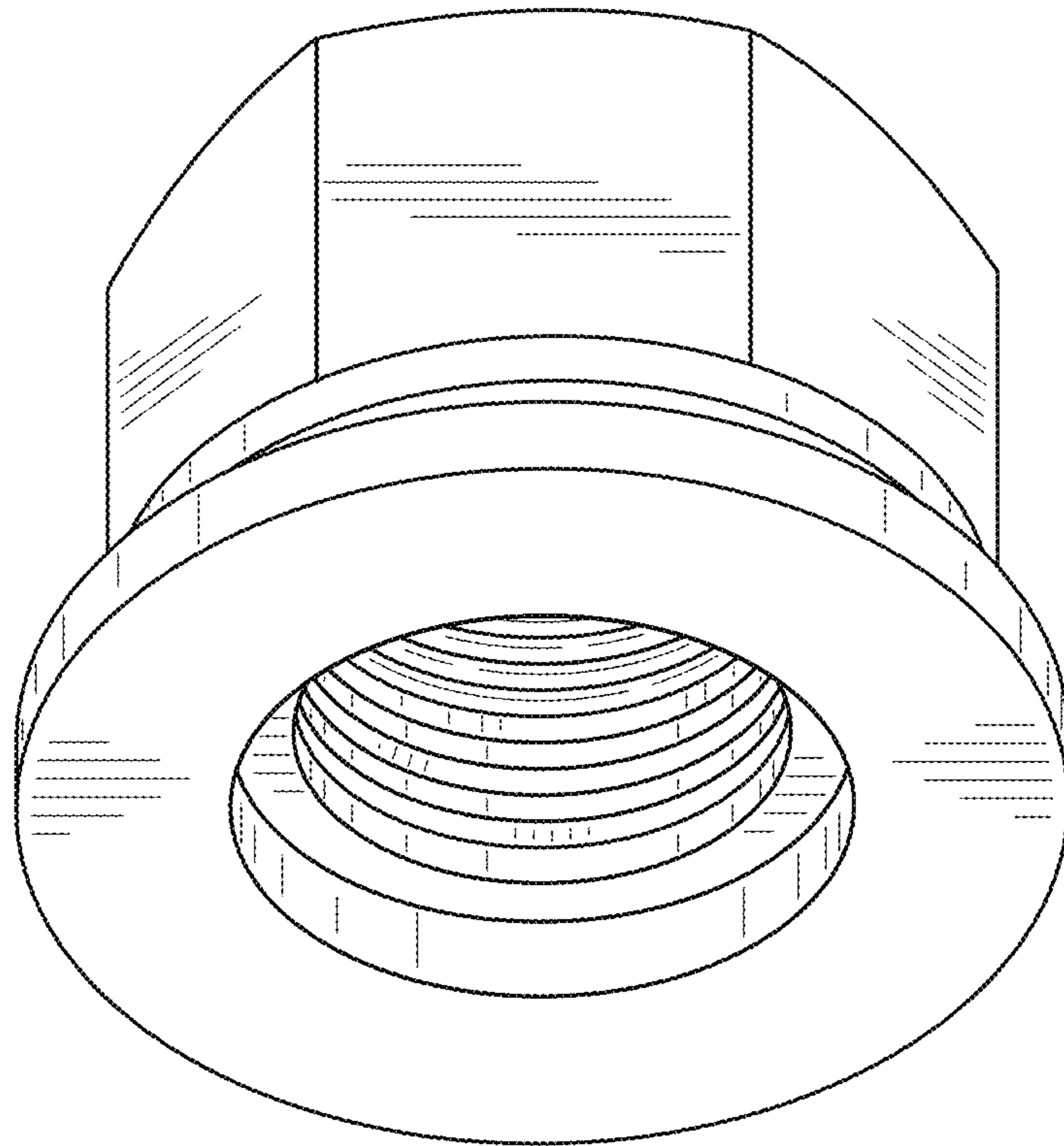


FIG. 8

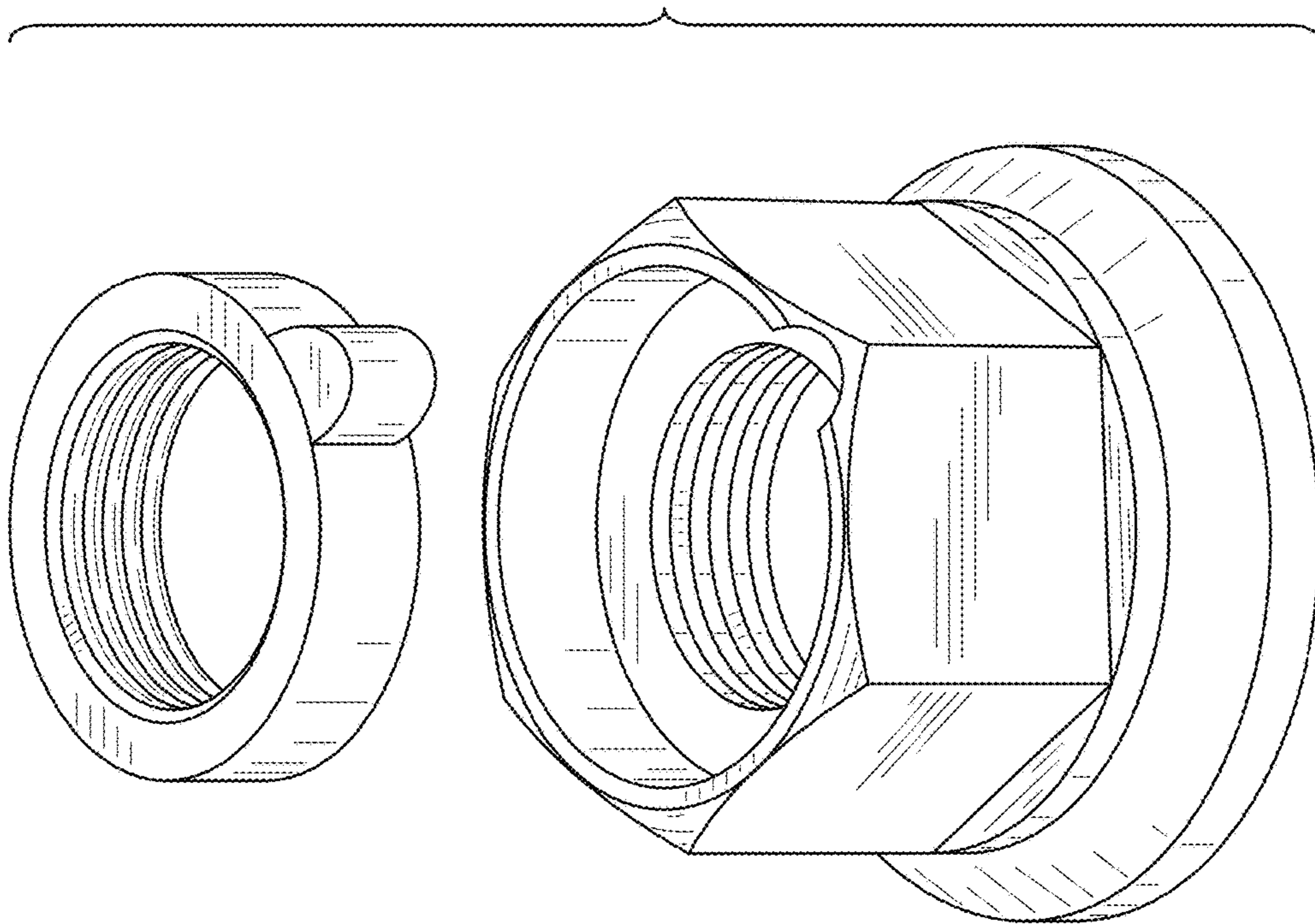


FIG. 9

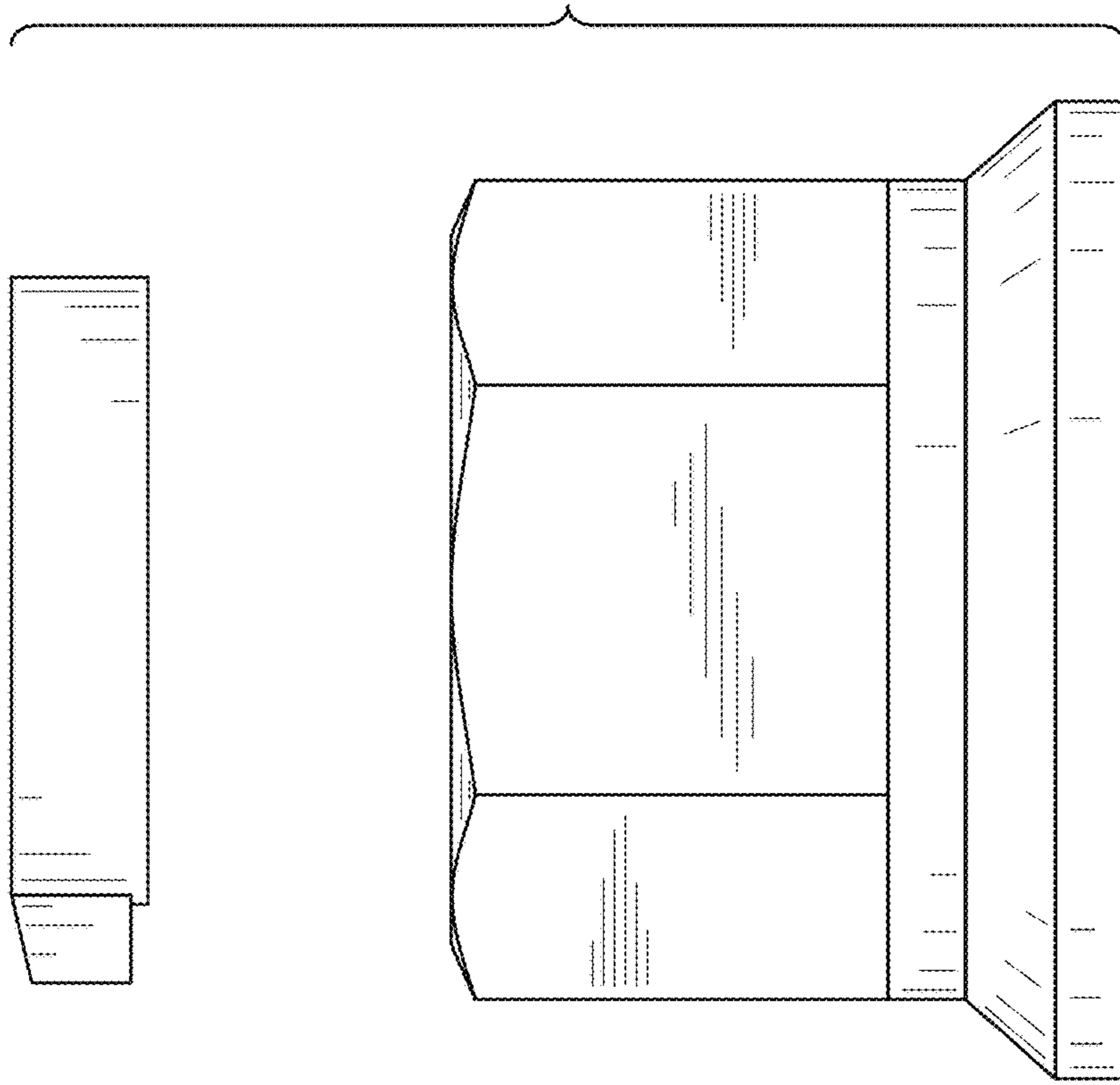


FIG. 10

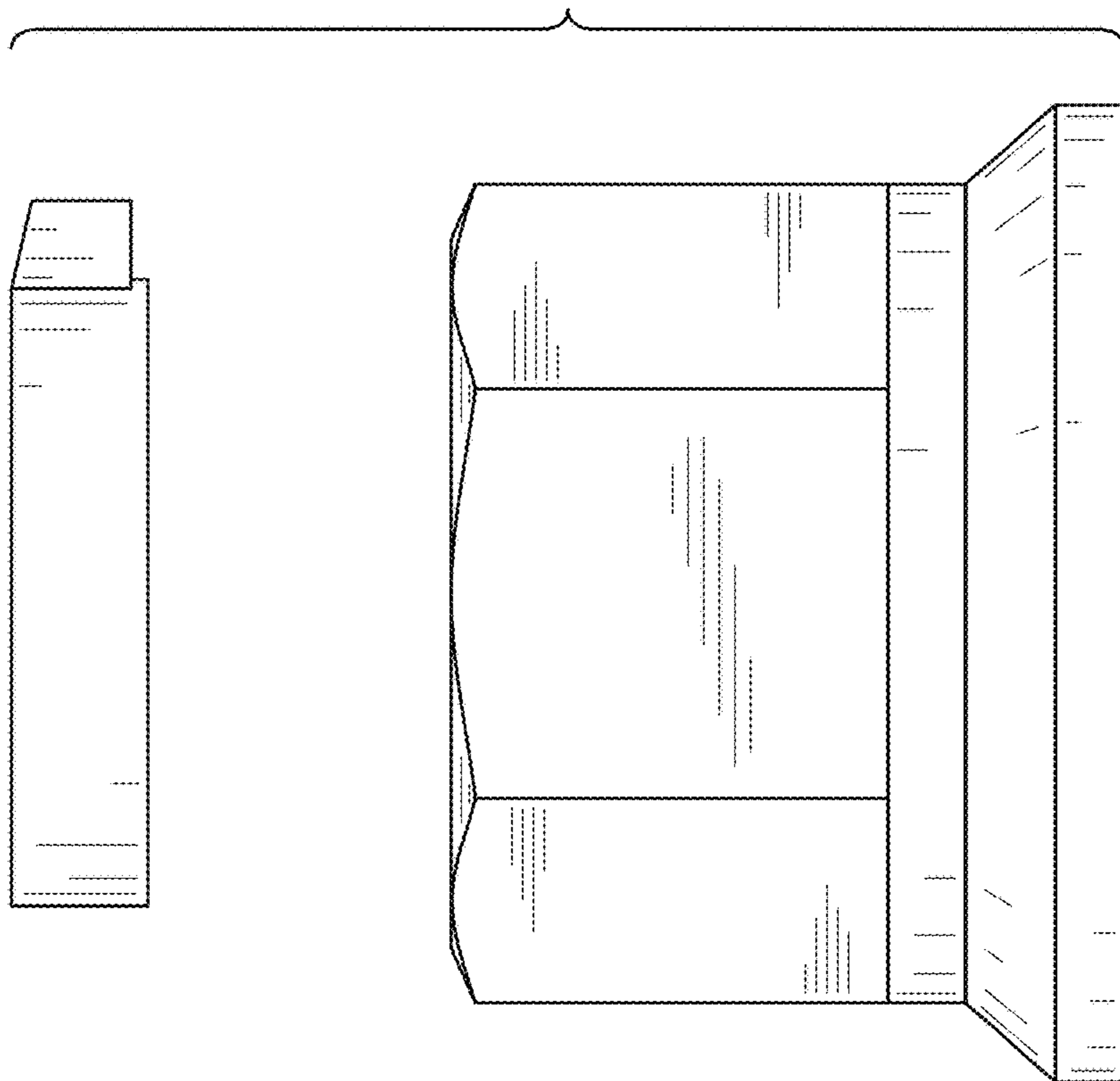


FIG. 11

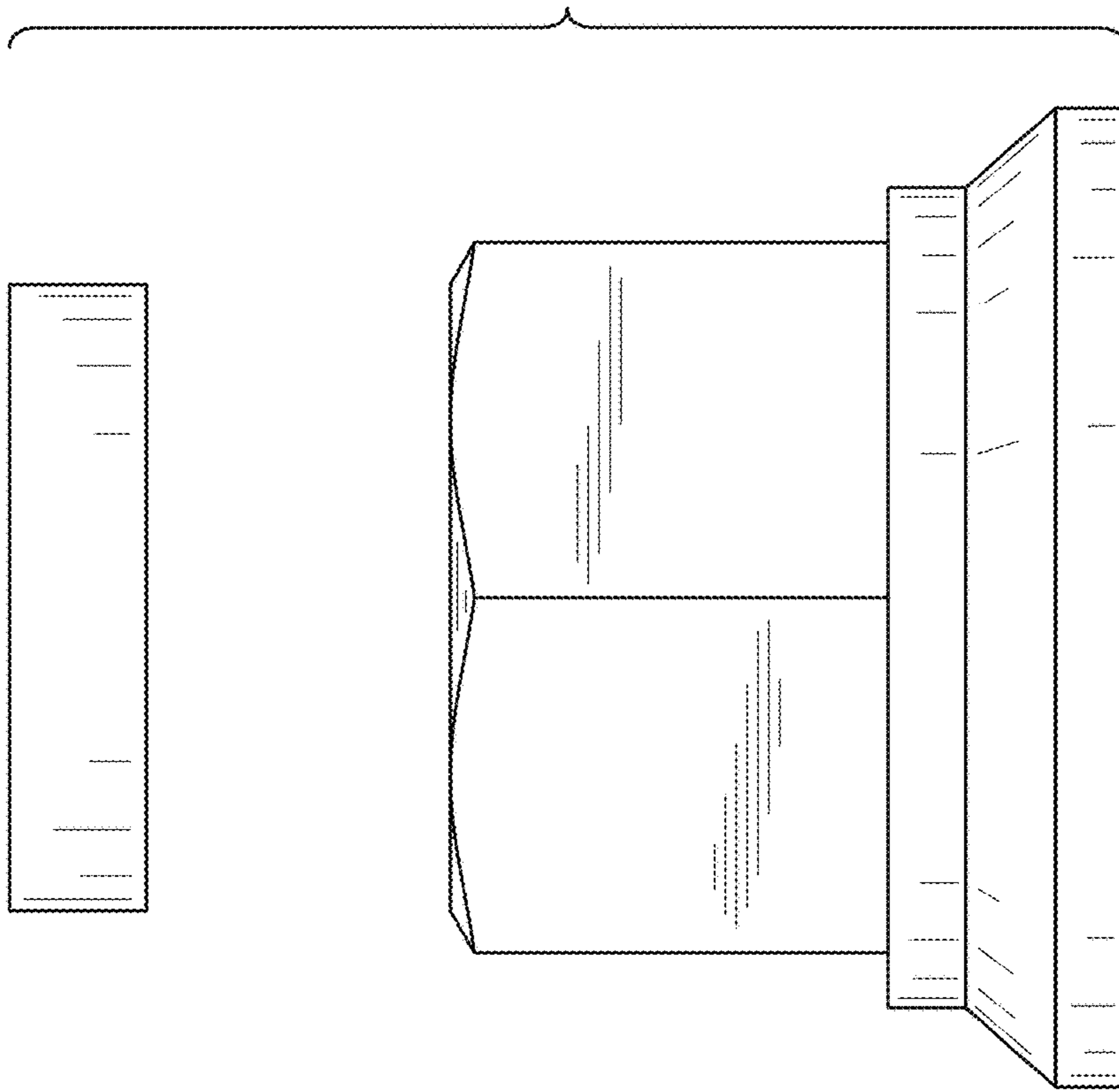


FIG. 13

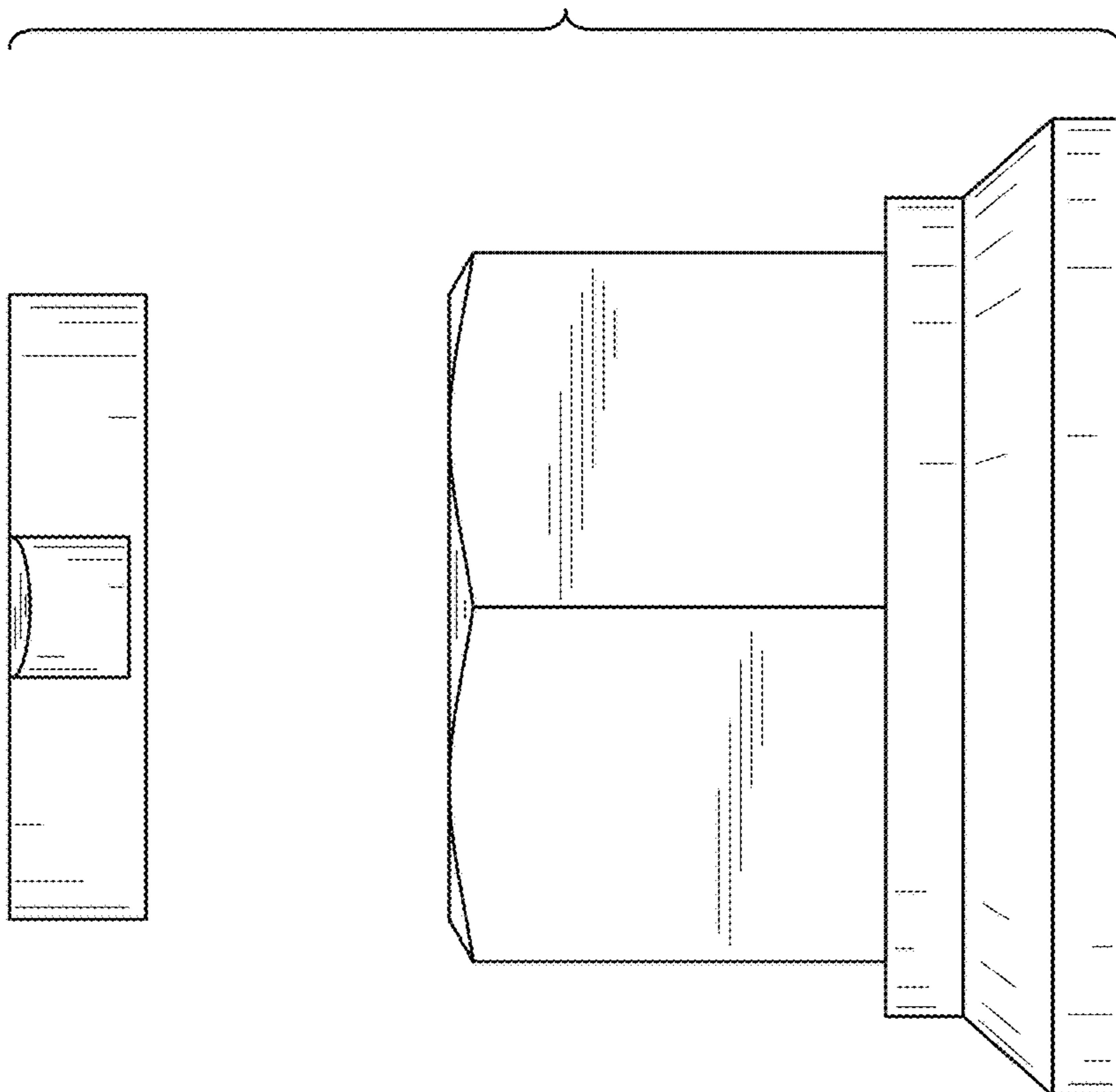


FIG. 12

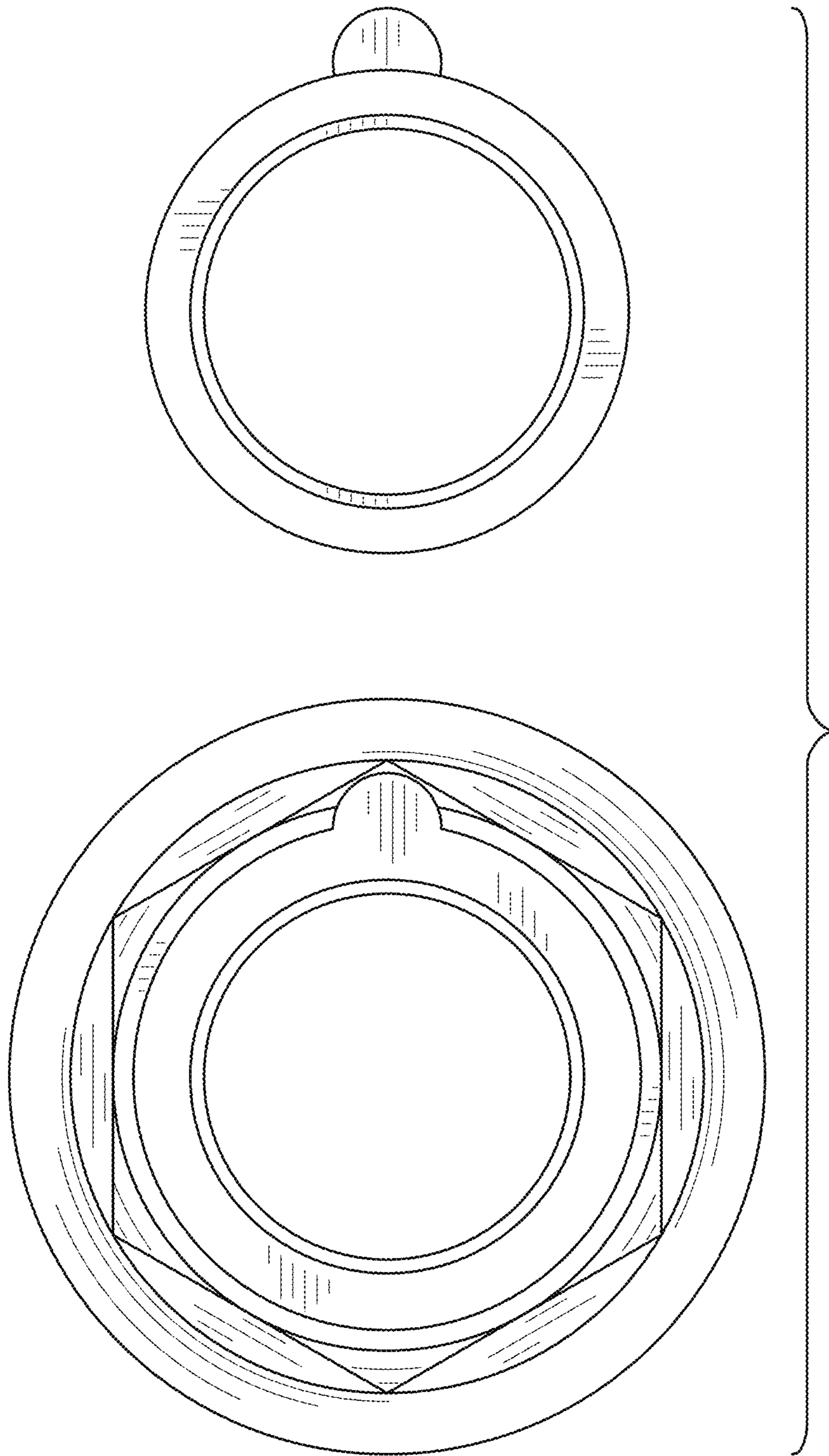


FIG. 14

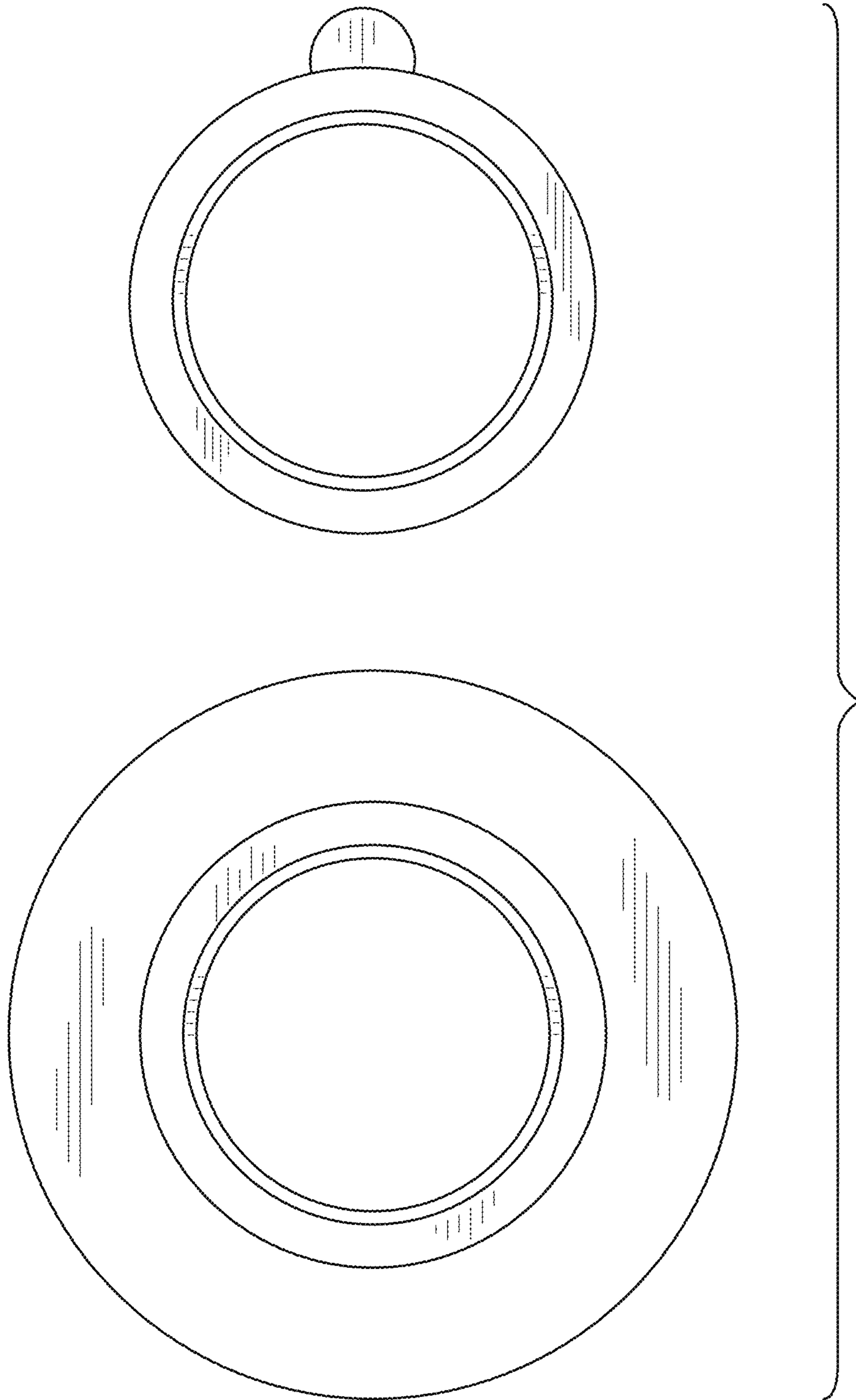


FIG. 15

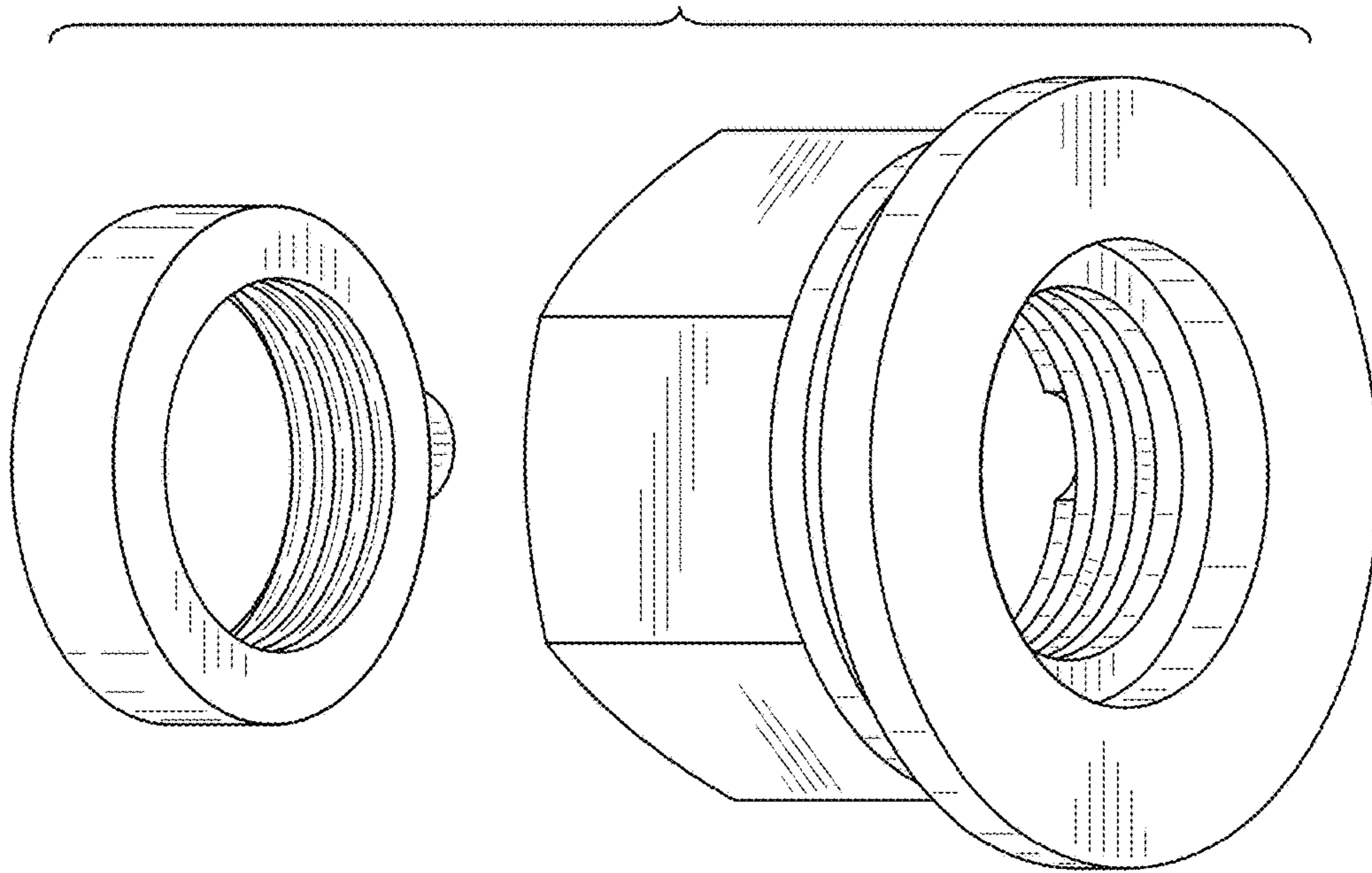


FIG. 16