



US00D799313S

(12) **United States Design Patent**  
**von Wilcke**

(10) **Patent No.:** **US D799,313 S**

(45) **Date of Patent:** **\*\* \*Oct. 10, 2017**

- (54) **SCREW**
- (71) Applicant: **Häfele GmbH & Co KG**, Nagold (DE)
- (72) Inventor: **Michael von Wilcke**, Birkenwerder (DE)
- (73) Assignee: **HÄFELE GMBH & CO KG**, Nagold (DE)

4,286,496	A *	9/1981	Harris	.....	B25C 1/18 102/532
4,541,600	A *	9/1985	Vieglins	.....	A47B 57/18 211/186
6,241,446	B1 *	6/2001	Herzog	.....	F16B 41/002 411/433
D567,074	S *	4/2008	Gallien	.....	D8/387
D585,730	S *	2/2009	Fernandez	.....	D8/387
D612,230	S *	3/2010	Tanner	.....	D8/387
D720,609	S *	1/2015	David	.....	D8/387
2002/0006320	A1 *	1/2002	Kupper	.....	F16B 12/24 411/383

(\*) Notice: This patent is subject to a terminal disclaimer.

(Continued)

(\*\*) Term: **15 Years**

**OTHER PUBLICATIONS**

(21) Appl. No.: **29/541,601**

Hafele 263.20.847 Bolt Galvanized, image post date (Unknown), Site visited on Sep. 1, 2016, <[http://www.finesthardware.com/Hafele-26320847-Bolt-Galvanized\\_p\\_69773.html](http://www.finesthardware.com/Hafele-26320847-Bolt-Galvanized_p_69773.html)>.\*

(22) Filed: **Oct. 6, 2015**

(Continued)

(30) **Foreign Application Priority Data**

May 15, 2015 (EM) ..... 002701177

(51) **LOC (10) Cl.** ..... **08-08**

(52) **U.S. Cl.**  
USPC ..... **D8/393; D8/387**

(58) **Field of Classification Search**  
USPC ..... D8/382, 384, 387, 391, 393, 499  
CPC ..... F16B 35/00; F16B 35/04; F16B 35/041;  
F16B 35/044; F16B 35/048; F16B 35/06;  
F16B 23/0007; F16B 23/0023; F16B  
23/00; F16B 23/003; F16B 25/0042;  
F16B 25/0063; A47B 57/18; A47B 57/20;  
A47B 2013/028; A47B 57/485  
See application file for complete search history.

*Primary Examiner* — Sandra Snapp  
*Assistant Examiner* — Ieisha Price  
(74) *Attorney, Agent, or Firm* — Hackler Daghighian  
Martino & Novak

(57) **CLAIM**

The ornamental design for a screw, as shown and described.

**DESCRIPTION**

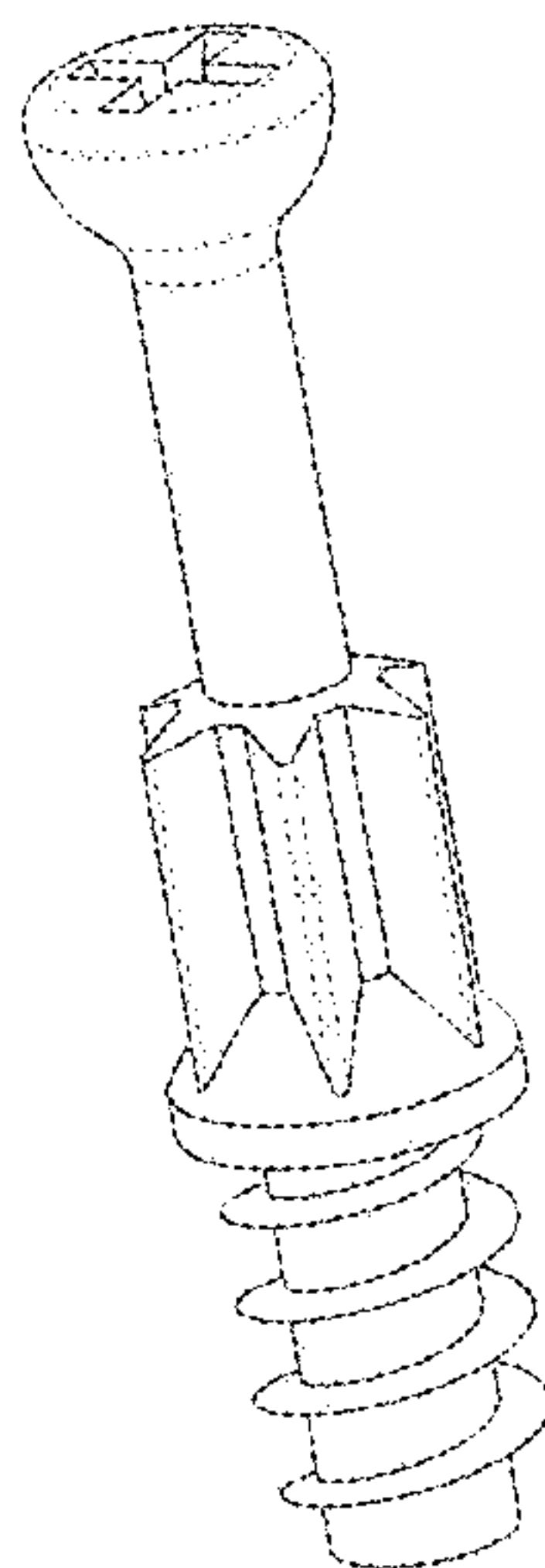
FIG. 1 is a perspective view of a screw embodying my new design;  
FIG. 2 is a front elevation view thereof;  
FIG. 3 is a rear elevation view thereof;  
FIG. 4 is a left side elevation view thereof;  
FIG. 5 is a right side elevation view thereof;  
FIG. 6 is a top plan view thereof; and,  
FIG. 7 is a bottom plan view thereof.  
The broken lines depict environmental subject matter, are for illustration only and form no part of the claimed design.

(56) **References Cited**

**U.S. PATENT DOCUMENTS**

2,216,382	A *	10/1940	West	.....	F16B 23/0023 411/403
4,073,160	A *	2/1978	Perret	.....	B25B 13/065 411/403

**1 Claim, 4 Drawing Sheets**



(56)

**References Cited**

U.S. PATENT DOCUMENTS

2003/0024193 A1\* 2/2003 Schmid ..... E04F 13/045  
52/361  
2017/0058520 A1\* 3/2017 Keith ..... E04C 2/2885

OTHER PUBLICATIONS

Hafele 262.09.202 Spread Bolt, image post date (Unknown), Site visited on Sep. 1, 2016, <[http://www.finesthardware.com/Hafele-26209202-Spread-Bolt\\_p\\_69491.html](http://www.finesthardware.com/Hafele-26209202-Spread-Bolt_p_69491.html)>.\*

\* cited by examiner

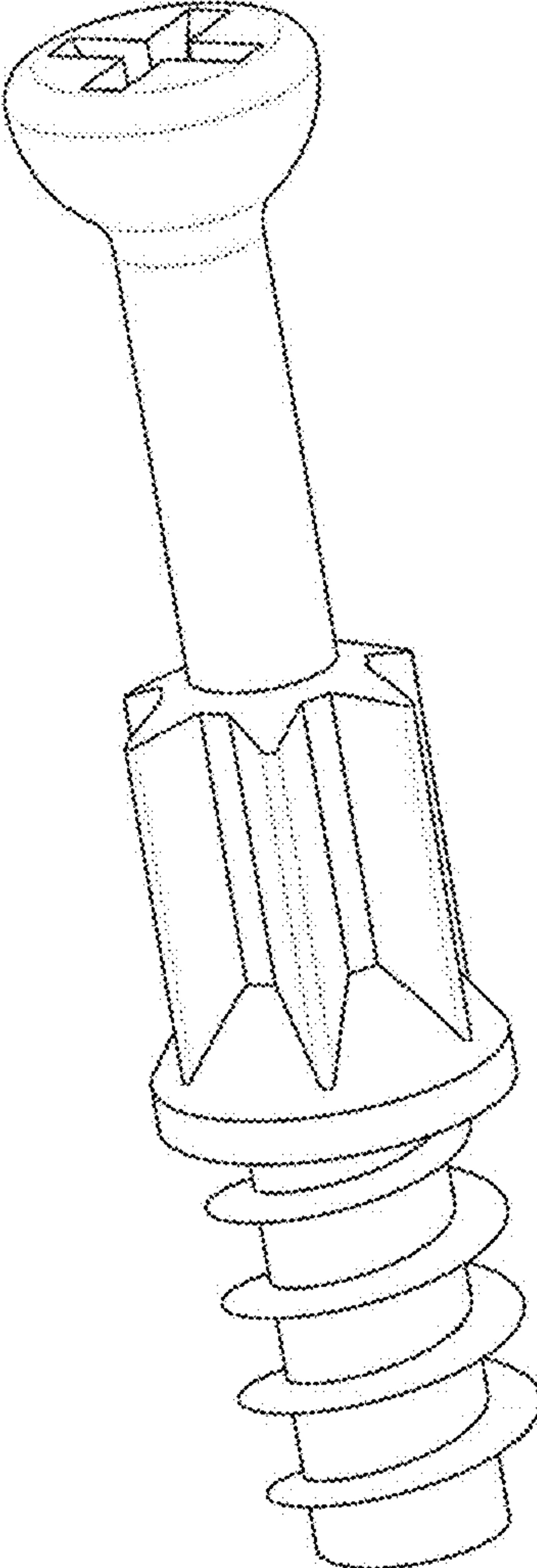


FIG. 1

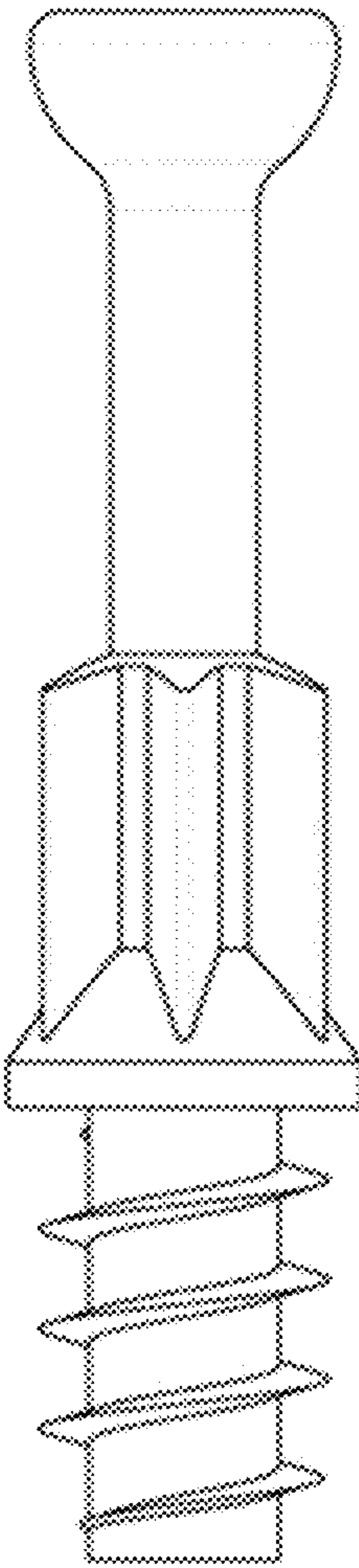


FIG. 2

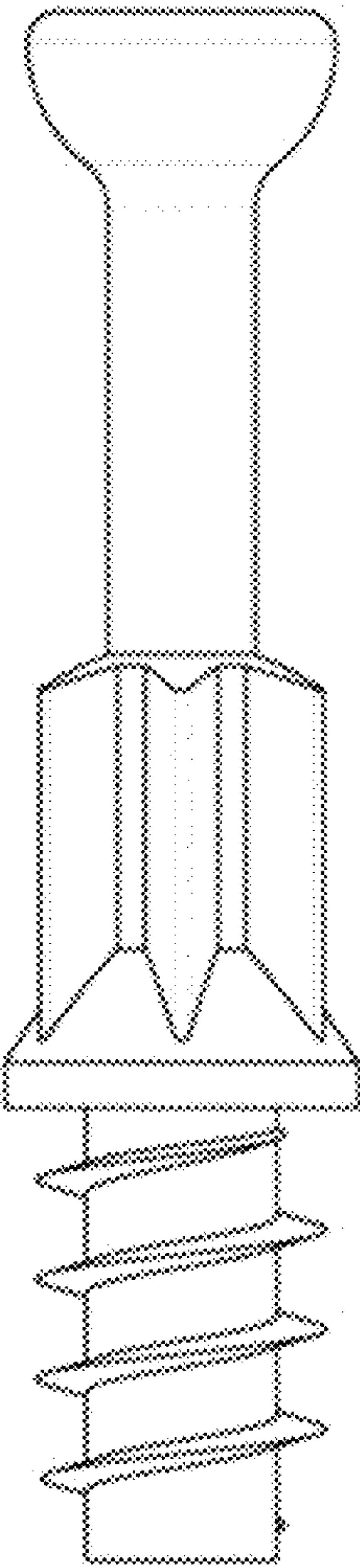


FIG. 3

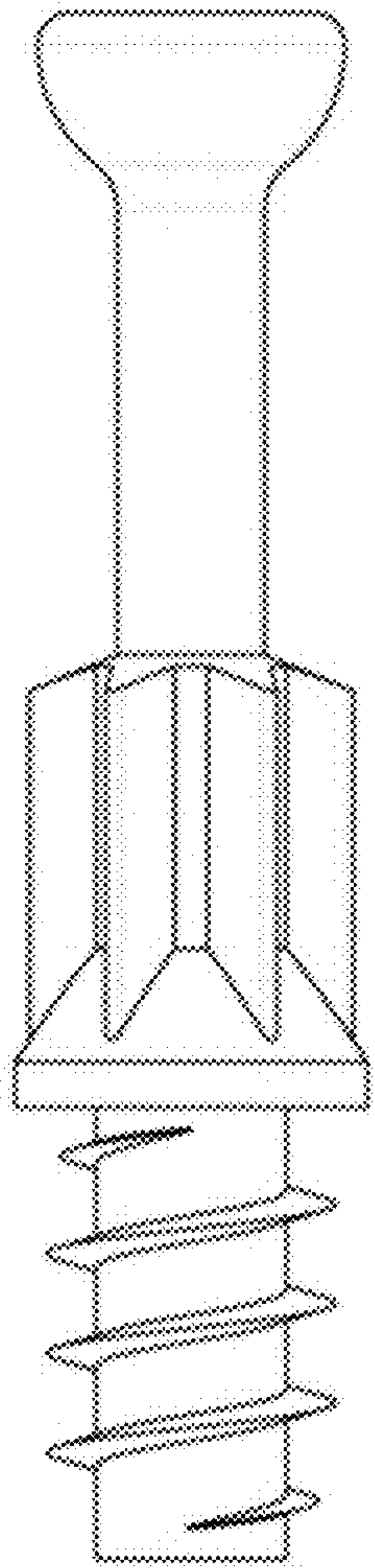


FIG. 4

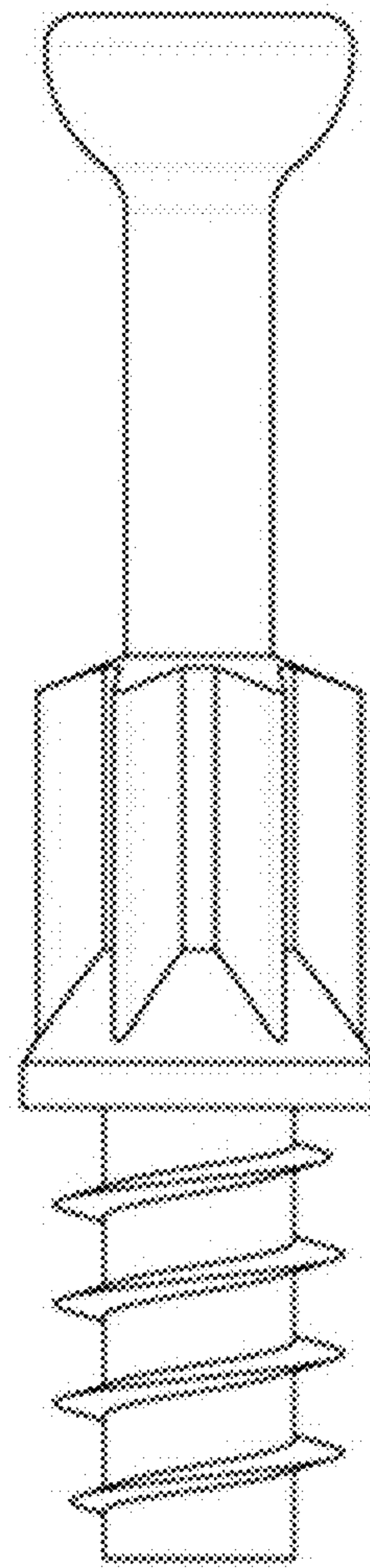


FIG. 5

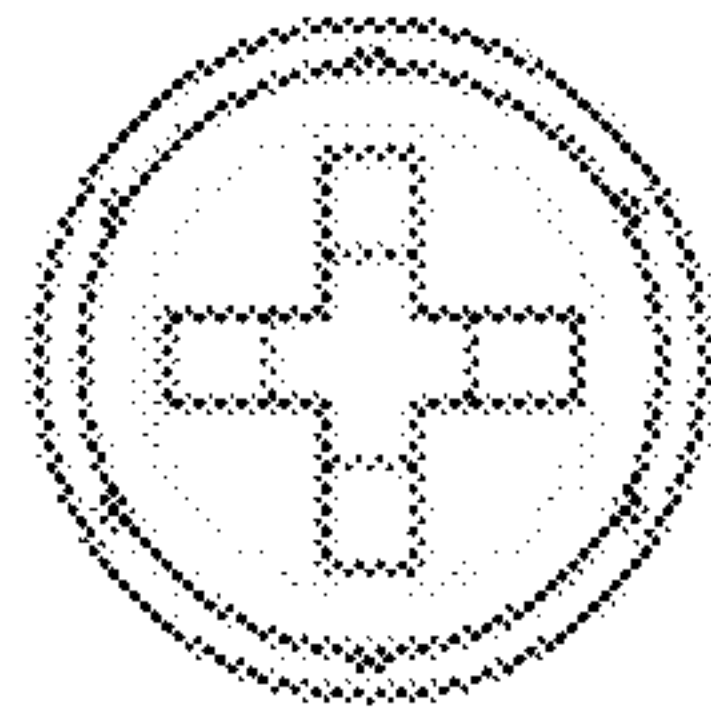


FIG. 6

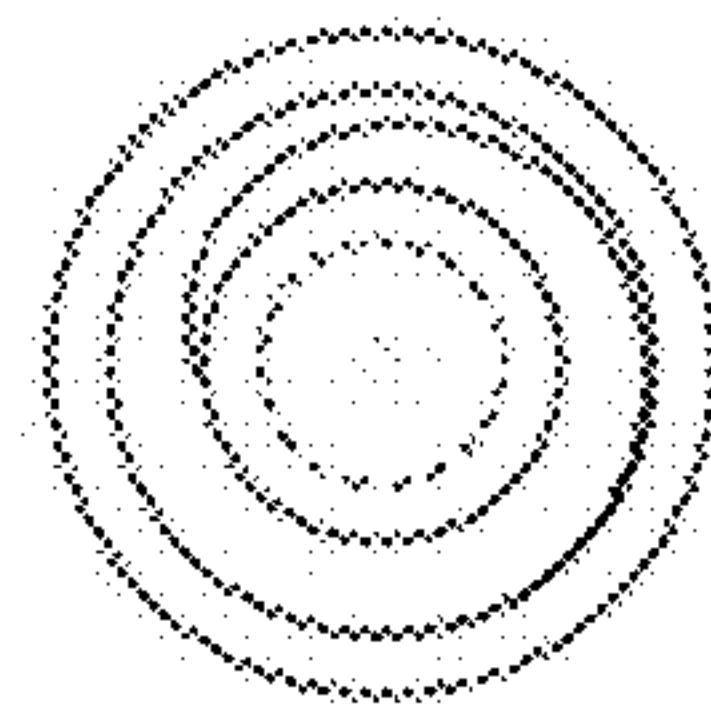


FIG. 7