



US00D799312S

(12) **United States Design Patent** (10) **Patent No.:** **US D799,312 S**
Ng (45) **Date of Patent:** **** Oct. 10, 2017**

(54) **CLUTCH COVER FOR ROLLER BLIND**
(71) Applicant: **ZMC Metal Coating Inc.**, Woodbridge (CA)
(72) Inventor: **Philip Ng**, Thornhill (CA)
(73) Assignee: **ZMC Metal Coating Inc.**, Woodbridge (CA)
(**) Term: **15 Years**
(21) Appl. No.: **29/551,183**
(22) Filed: **Jan. 11, 2016**

(30) **Foreign Application Priority Data**
Sep. 25, 2015 (CA) 164566
(51) **LOC (10) Cl.** **08-08**
(52) **U.S. Cl.**
USPC **D8/383**; D8/380; D6/580
(58) **Field of Classification Search**
USPC D8/71, 349, 354, 373, 380, 382, 383, D8/388, 394, 396, 376; D6/328, 702, D6/512, 513, 572, 573, 575, 576, 577, D6/580
CPC ... A47H 1/13; A47H 1/14; A47H 1/18; A47H 3/02; A47H 3/04; A47H 3/06; A47H 3/10; A47H 3/12; A47H 5/02; A47H 5/03; A47H 5/032; A47H 11/02; A47H 11/04; A47H 15/02; A47H 23/08; A47H 23/10; E06B 9/42; E06B 9/44; E06B 9/48
See application file for complete search history.

(56) **References Cited**
U.S. PATENT DOCUMENTS
5,482,105 A * 1/1996 Rude E06B 9/42
160/307
6,173,825 B1 * 1/2001 Liu E06B 9/42
160/298

D694,039 S * 11/2013 Licciardi Di Stefano D6/580
D694,040 S * 11/2013 Di Stefano D6/580
D695,041 S * 12/2013 Licciardi Di Stefano D6/580
D695,042 S * 12/2013 Licciardi Di Stefano D6/580
D699,552 S * 2/2014 Wills D8/380
9,222,305 B2 * 12/2015 Di Stefano E06B 9/68
2003/0178276 A1 * 9/2003 Fraczek E06B 9/44
192/3.52
2007/0056699 A1 * 3/2007 Liu E06B 9/50
160/321
2007/0107857 A1 * 5/2007 Wang E06B 9/42
160/321
2013/0068405 A1 * 3/2013 Lava E06B 9/326
160/321
2014/0041815 A1 * 2/2014 Kao E06B 9/44
160/319

(Continued)

Primary Examiner — Sandra Snapp
Assistant Examiner — Ieisha Price
(74) *Attorney, Agent, or Firm* — Honigman Miller Schwartz and Cohn LLP

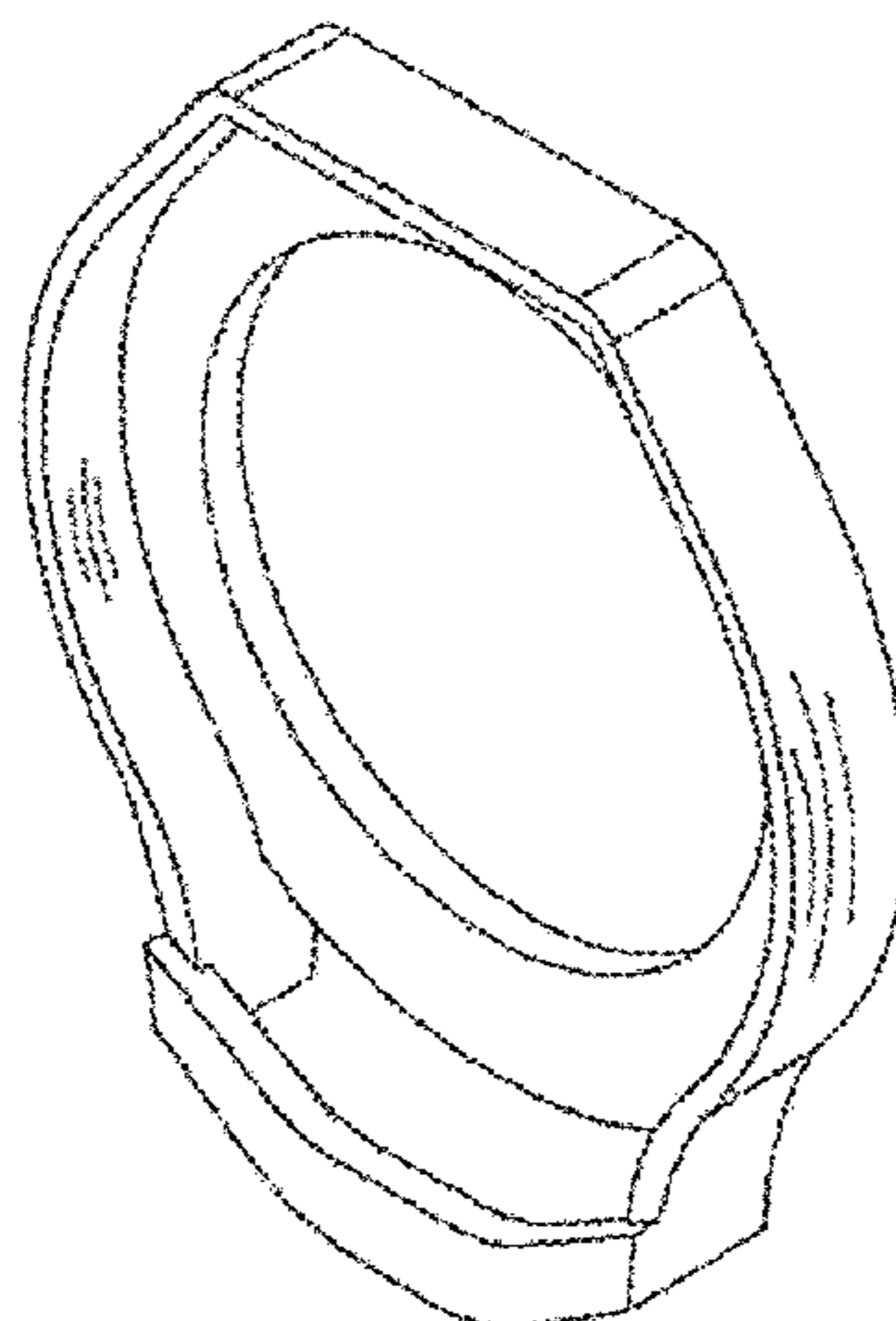
(57) **CLAIM**

The ornamental design for a clutch cover for roller blind, as shown and described.

DESCRIPTION

FIG. 1 is a front/right side isometric view of an embodiment of a clutch cover for roller blind;
FIG. 2 is a front view of the embodiment of FIG. 1;
FIG. 3 is a rear view of the embodiment of FIG. 1;
FIG. 4 is a right side elevational view of the embodiment of FIG. 1;
FIG. 5 is a left side elevational view of the embodiment of FIG. 1;
FIG. 6 is a top view of the clutch cover for roller blind of the embodiment of FIG. 1; and,
FIG. 7 is a bottom view of the clutch cover for roller blind of the embodiment of FIG. 1.

1 Claim, 7 Drawing Sheets



(56)

References Cited

U.S. PATENT DOCUMENTS

2014/0262080 A1* 9/2014 Mann E06B 9/324
160/313
2014/0360686 A1* 12/2014 Lin E06B 9/42
160/319
2016/0051074 A1* 2/2016 Chou E06B 9/24
248/298.1

* cited by examiner

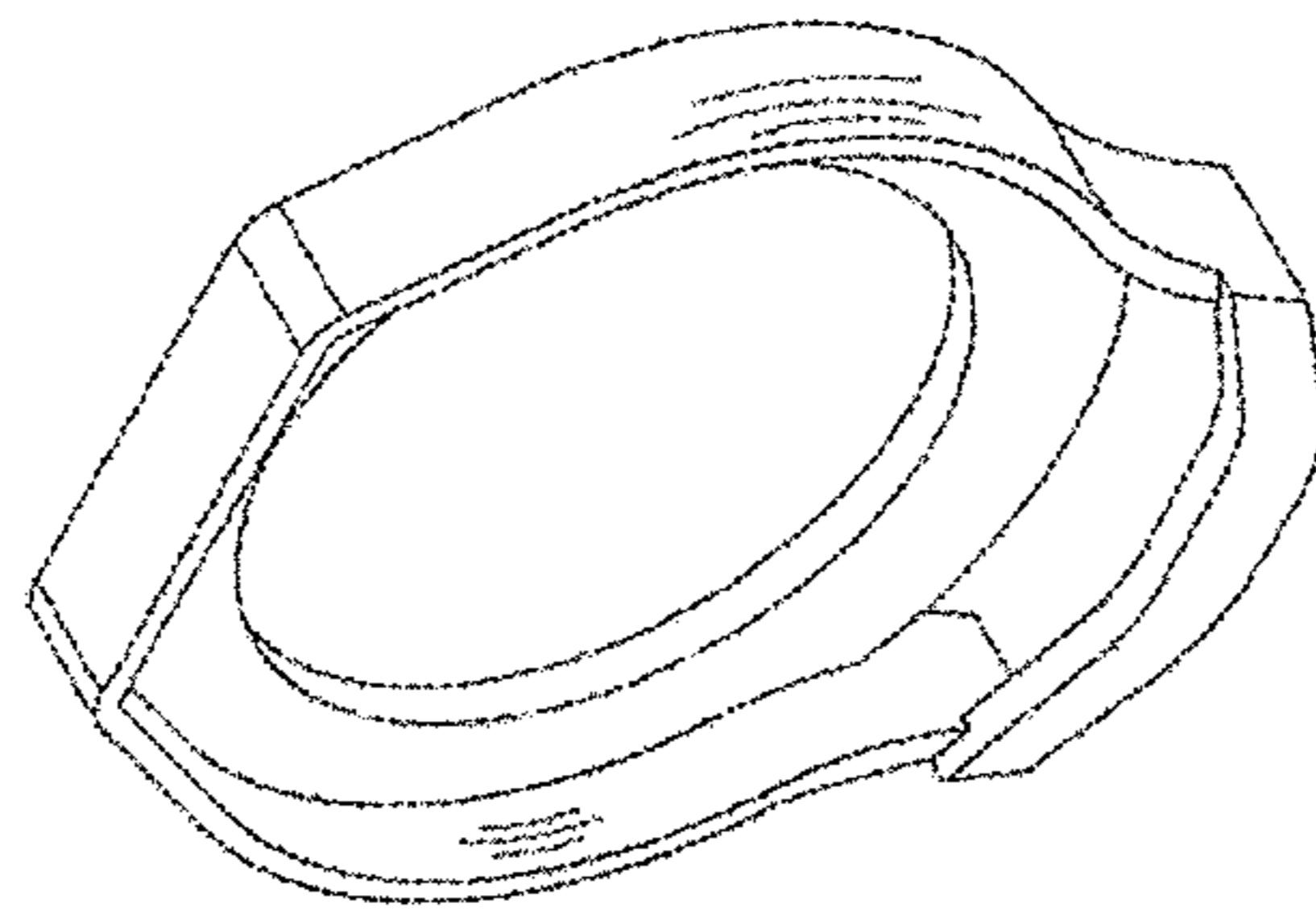


FIG. 1

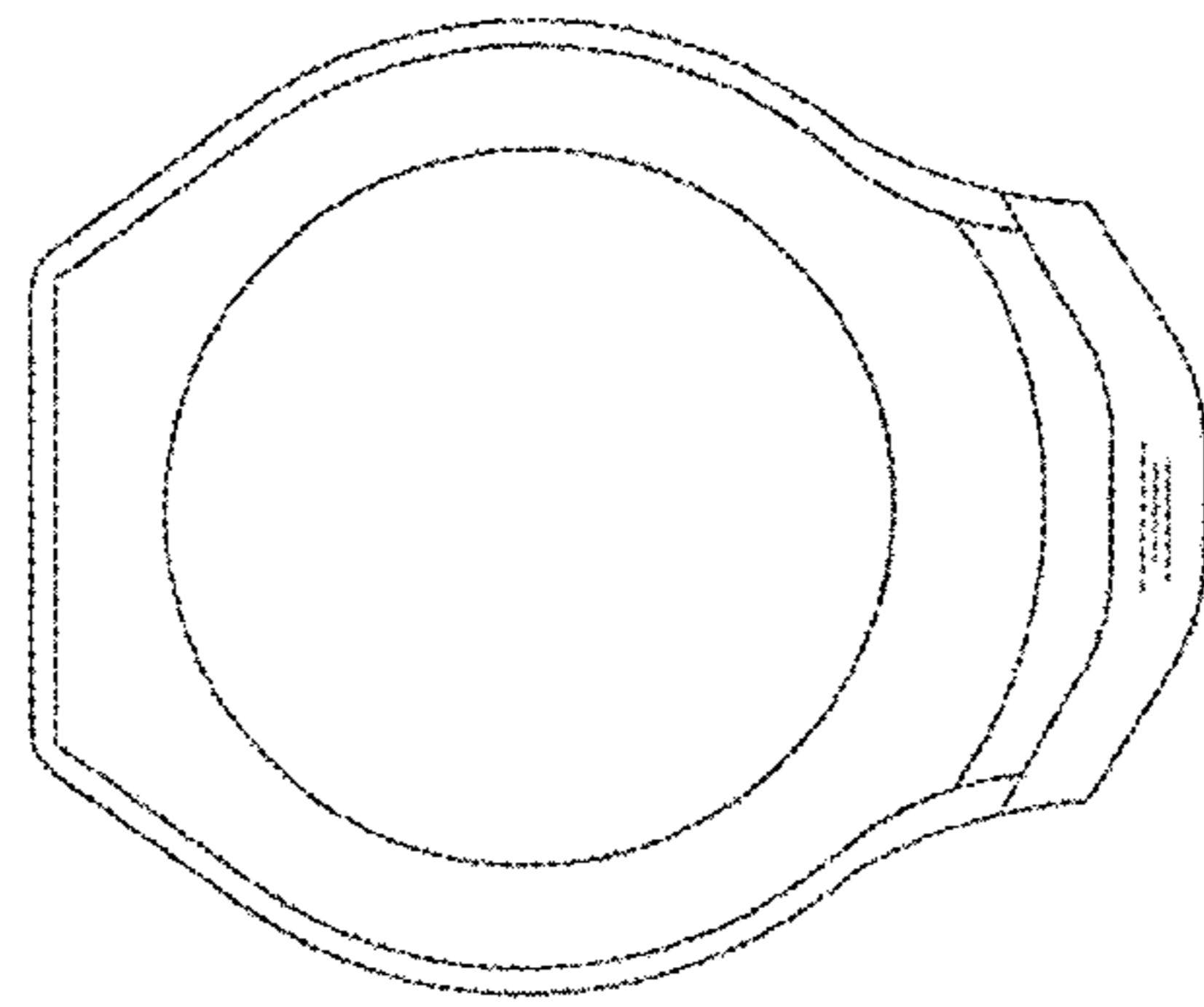


FIG. 2

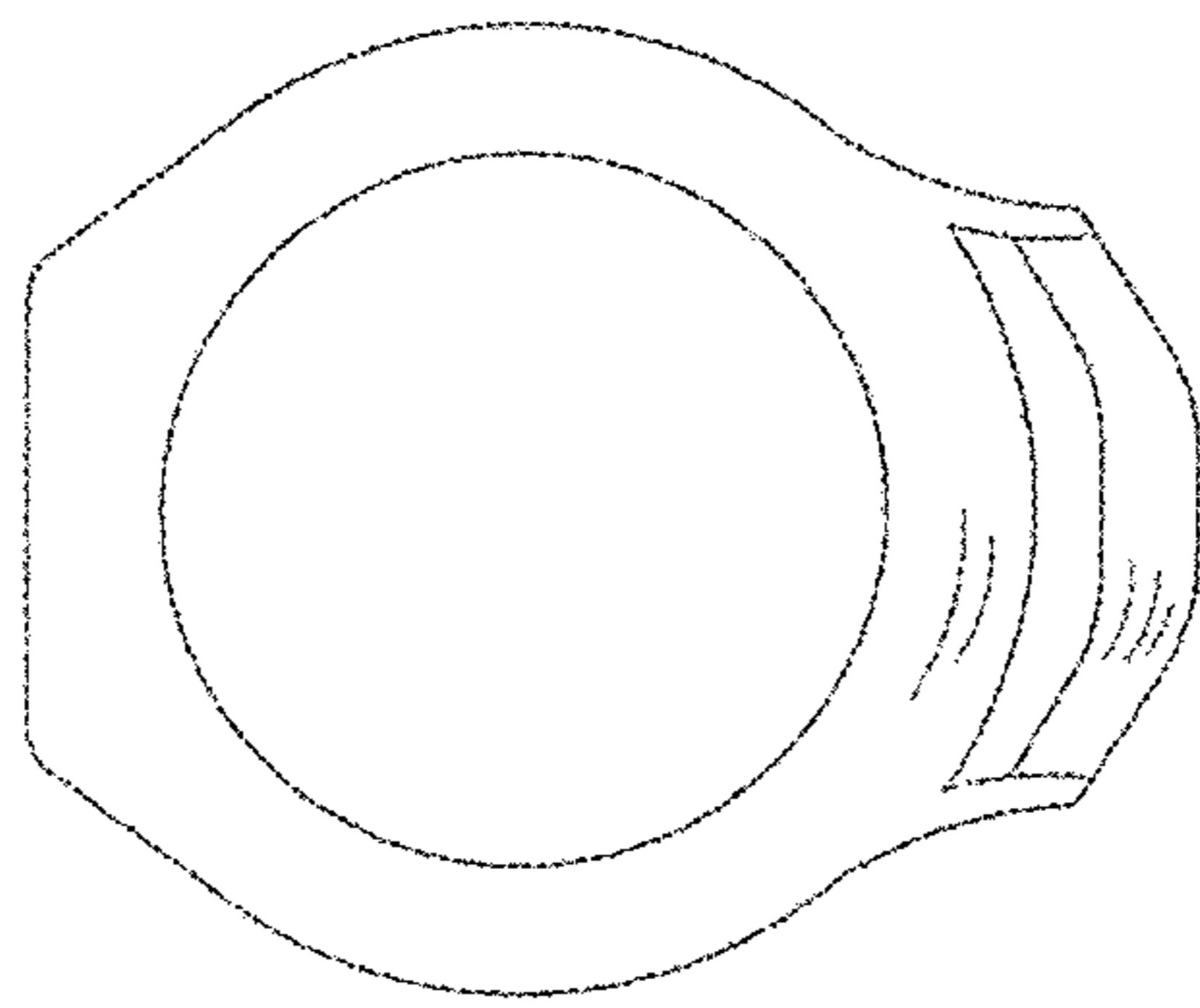


FIG. 3

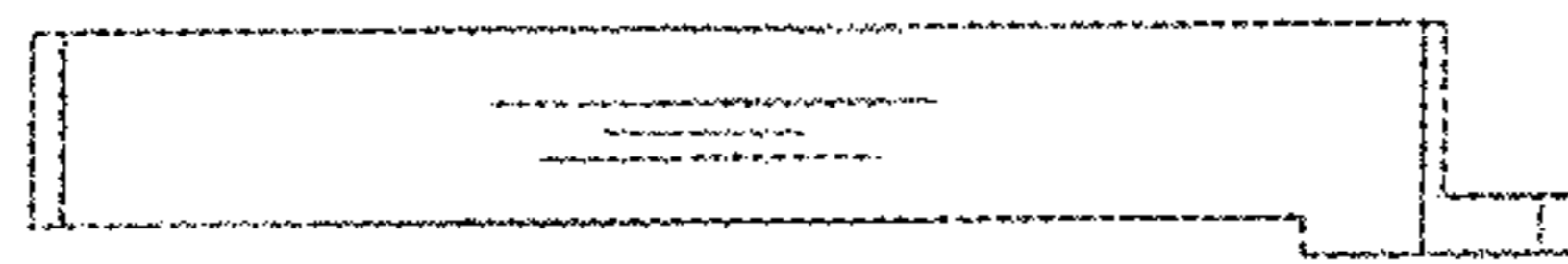


FIG. 4

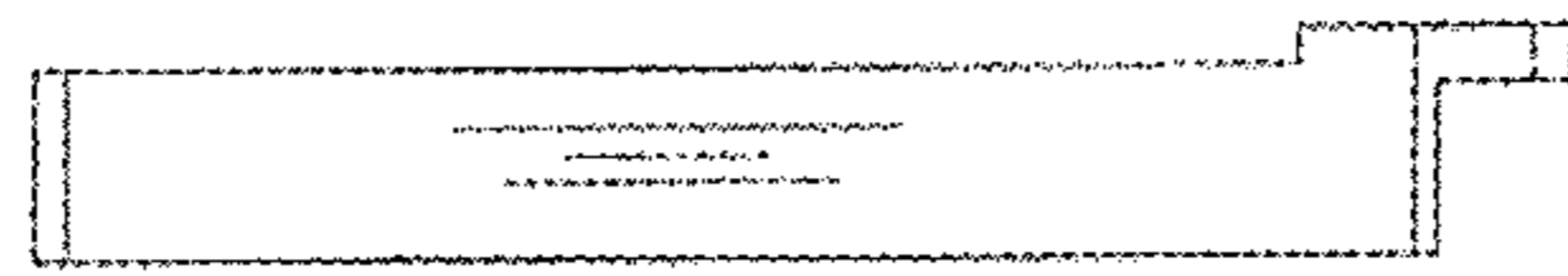


FIG. 5

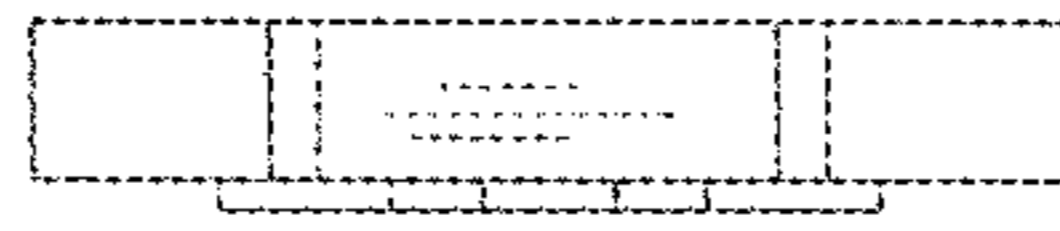


FIG. 6



FIG. 7