



US00D799311S

(12) **United States Design Patent** (10) **Patent No.:** **US D799,311 S**  
**Mamié** (45) **Date of Patent:** **\*\* Oct. 10, 2017**

(54) **FASTENER FOR FALL PROTECTION DEVICES**

(71) Applicant: **SPANSET INTER AG, Wollerau (CH)**

(72) Inventor: **André Mamié, Wädenswil (CH)**

(\*\*) Term: **15 Years**

(21) Appl. No.: **35/501,186**

(22) Filed: **May 31, 2016**

(80) **Hague Agreement Data**

Int. Filing Date: **May 31, 2016**

Int. Reg. No.: **DM/091294**

Int. Reg. Date: **May 31, 2016**

Int. Reg. Pub. Date: **Jul. 8, 2016**

(51) **LOC (10) Cl.** ..... **08-08**

(52) **U.S. Cl.**  
USPC ..... **D8/382**

(58) **Field of Classification Search**

USPC ..... D8/16, 18, 71, 73, 349, 354, 363, 366,  
D8/371, 373, 374, 380, 381, 382, 394,  
D8/499; D6/567, 572, 681, 681.2, 681.3,  
D6/702

CPC . A47B 43/00; A47B 47/0025; A47B 47/0041;  
A47B 47/021; A47B 55/00; A47B 55/02;  
A47B 73/002; A47B 2088/0437; A47B  
57/42; A47B 57/562; A47B 96/024; A47B  
96/028; A47B 96/063; A47B 2220/0044;  
A47B 96/068

See application file for complete search history.

(56) **References Cited**

**U.S. PATENT DOCUMENTS**

3,616,584 A \* 11/1971 Sartori et al. .... E04F 15/02452  
248/354.3  
D297,303 S \* 8/1988 Finklestein ..... D21/489

D315,667 S \* 3/1991 Johnson ..... D10/64  
D347,990 S \* 6/1994 Petrohilos ..... D8/382  
D397,289 S \* 8/1998 Maddux ..... D8/382  
D481,299 S \* 10/2003 Fujioka ..... D8/382  
D504,809 S \* 5/2005 Sato ..... D8/382  
D513,471 S \* 1/2006 Sato ..... D8/382  
7,257,926 B1 \* 8/2007 Kirby ..... E04F 21/0092  
33/526  
D557,830 S \* 12/2007 Lee ..... D25/199  
D563,213 S \* 3/2008 Sato ..... D8/382  
D570,202 S \* 6/2008 Katoh ..... D8/382  
D571,644 S \* 6/2008 Ilang ..... D8/382  
D663,194 S \* 7/2012 Obolewicz ..... D8/382  
D665,657 S \* 8/2012 Pelc ..... D8/354  
D678,045 S \* 3/2013 Paolini ..... D8/382  
D721,573 S \* 1/2015 Fievet ..... D8/382  
D726,529 S \* 4/2015 McCallum ..... D8/382  
D760,581 S \* 7/2016 Pace ..... D8/382  
D763,670 S \* 8/2016 Monsees ..... D8/382  
D768,471 S \* 10/2016 Marquez ..... D8/382  
D772,698 S \* 11/2016 Jun ..... D8/382  
D773,293 S \* 12/2016 Ugartechea Berlanga .... D8/382  
D782,292 S \* 3/2017 Wessel ..... D8/382

\* cited by examiner

*Primary Examiner* — Darlington Ly

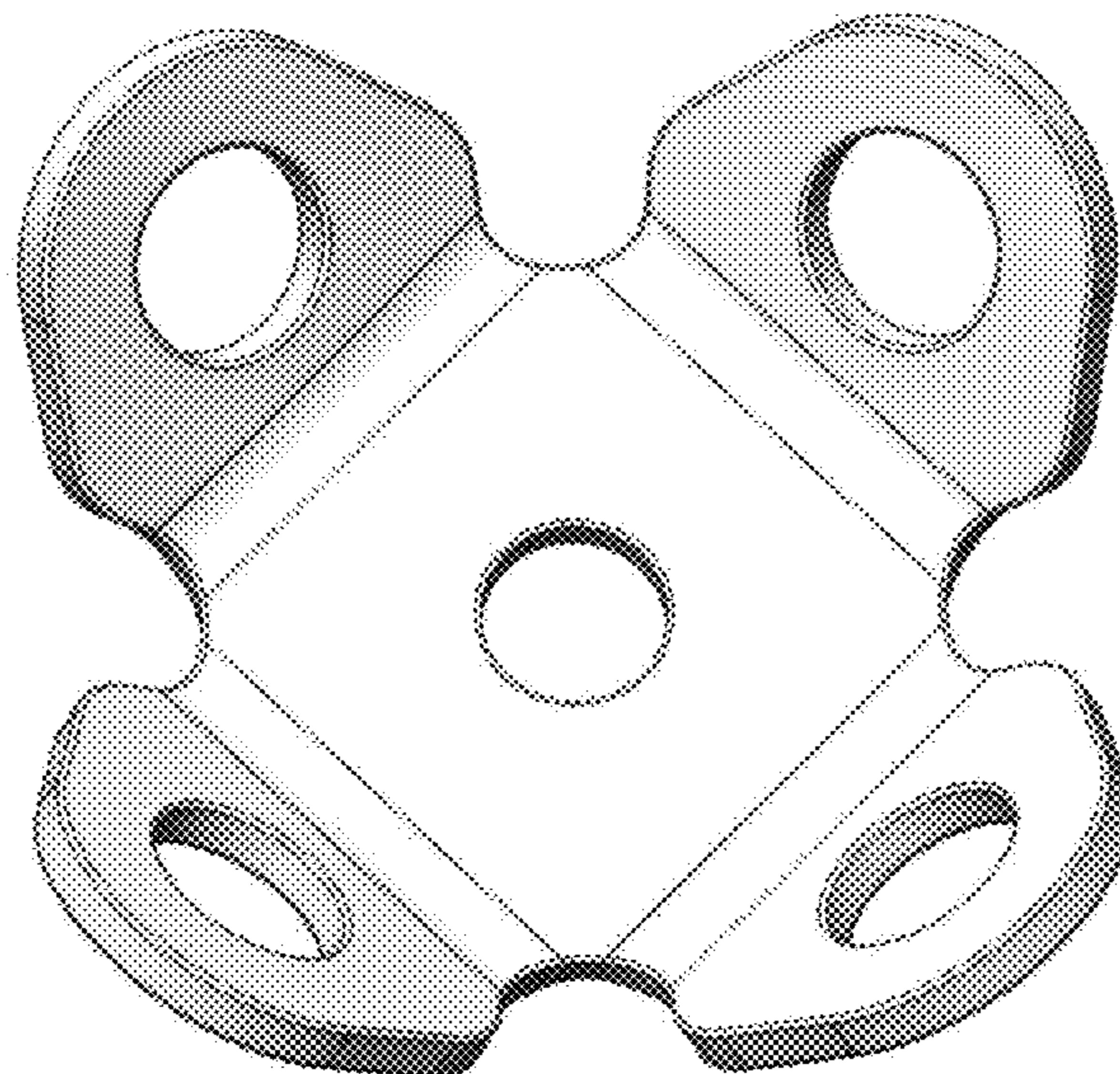
(57) **CLAIM**

The ornamental design for a fastener for fall protection devices, as shown and described.

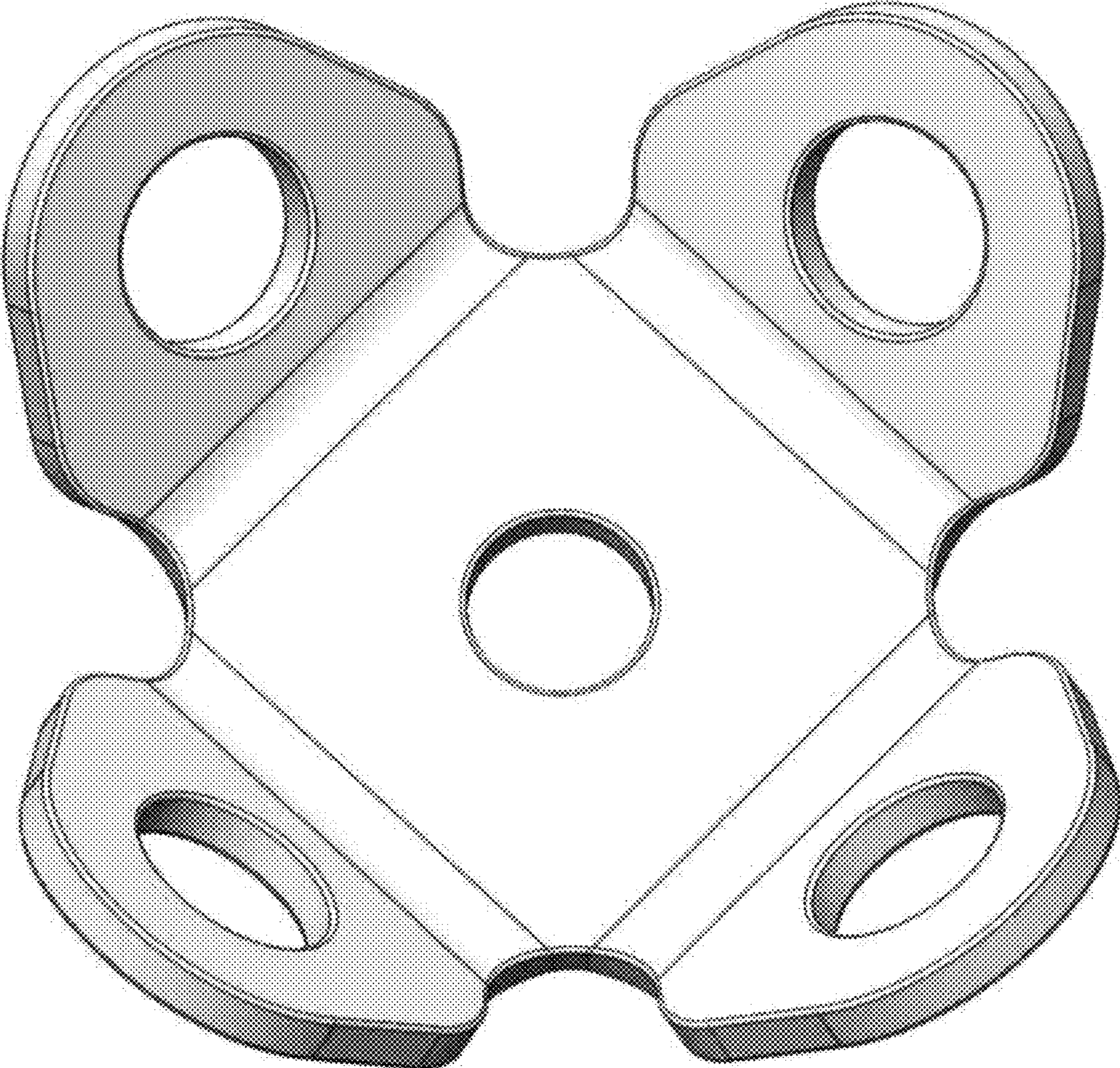
**DESCRIPTION**

1. Fastener for fall protection devices
- 1.1 is a top perspective view of a fastener for fall protection devices showing my new design;
- 1.2 is a top plan view thereof;
- 1.3 is a front elevation view thereof, of which the rear, right, and left side elevation views are identical;
- 1.4 is a bottom plan view thereof; and
- 1.5 is a bottom perspective view thereof.

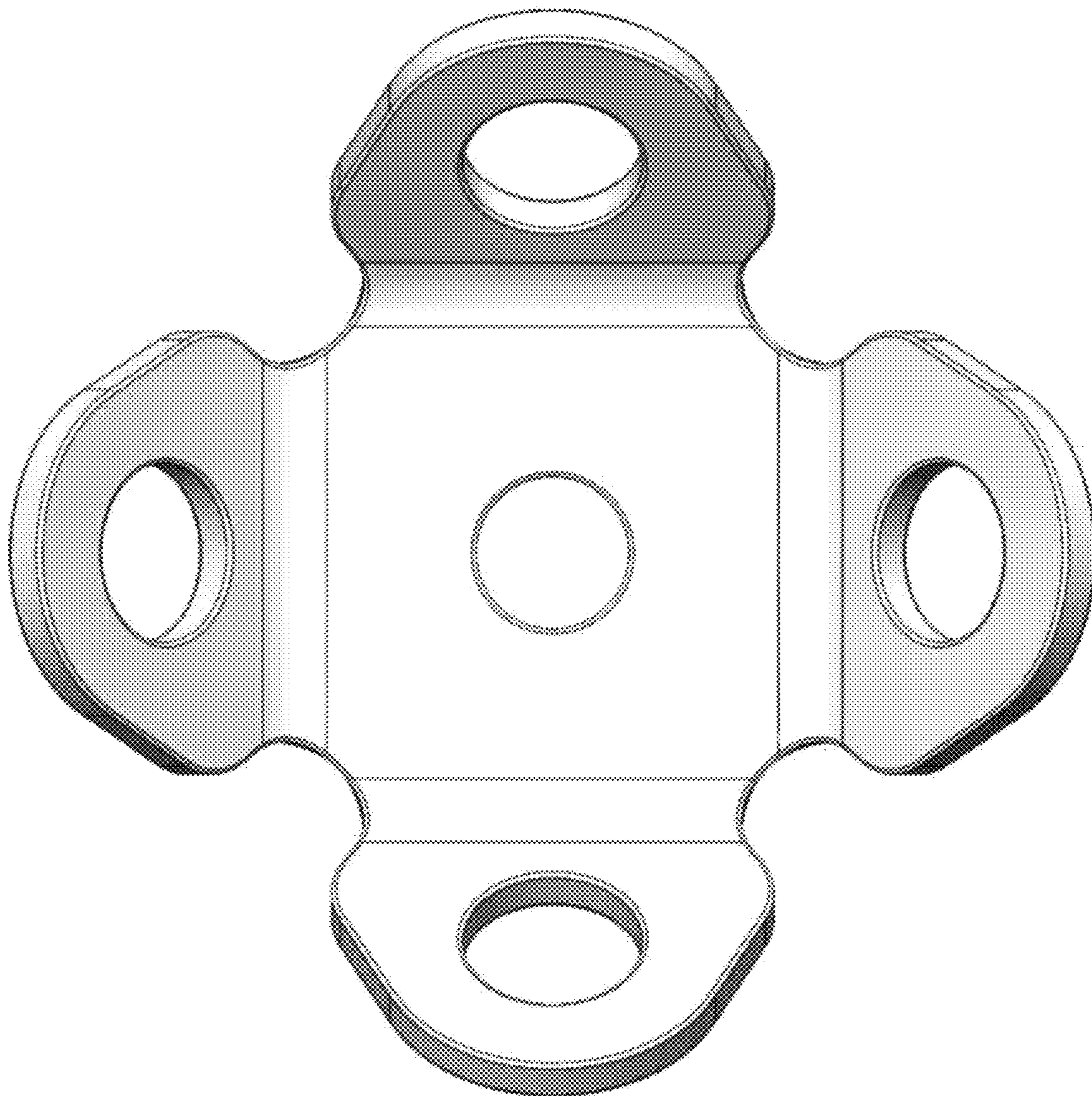
**1 Claim, 5 Drawing Sheets**



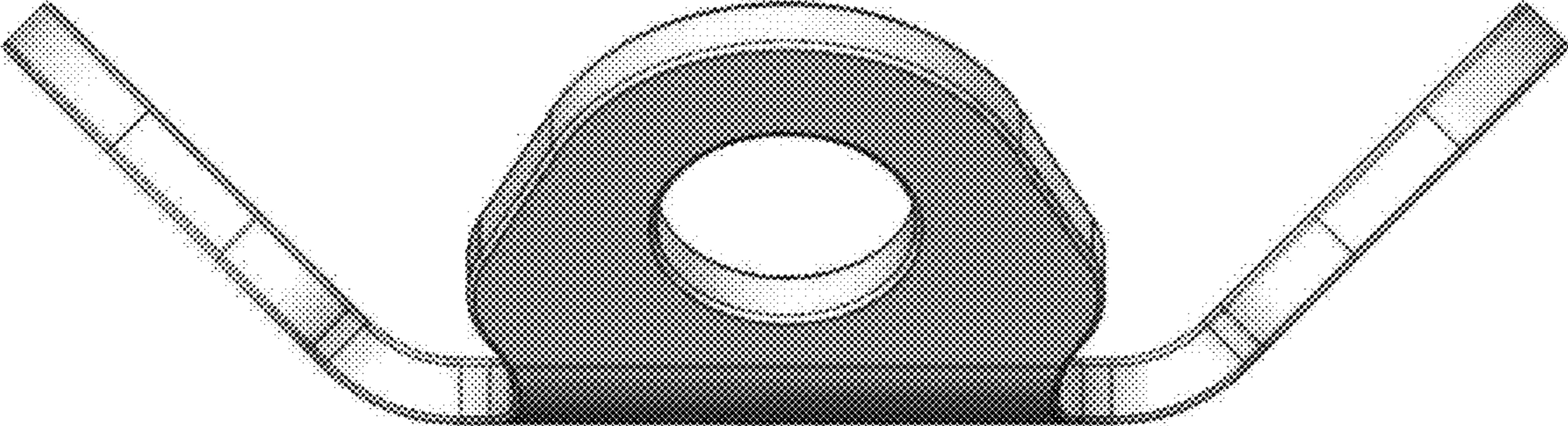
1.1



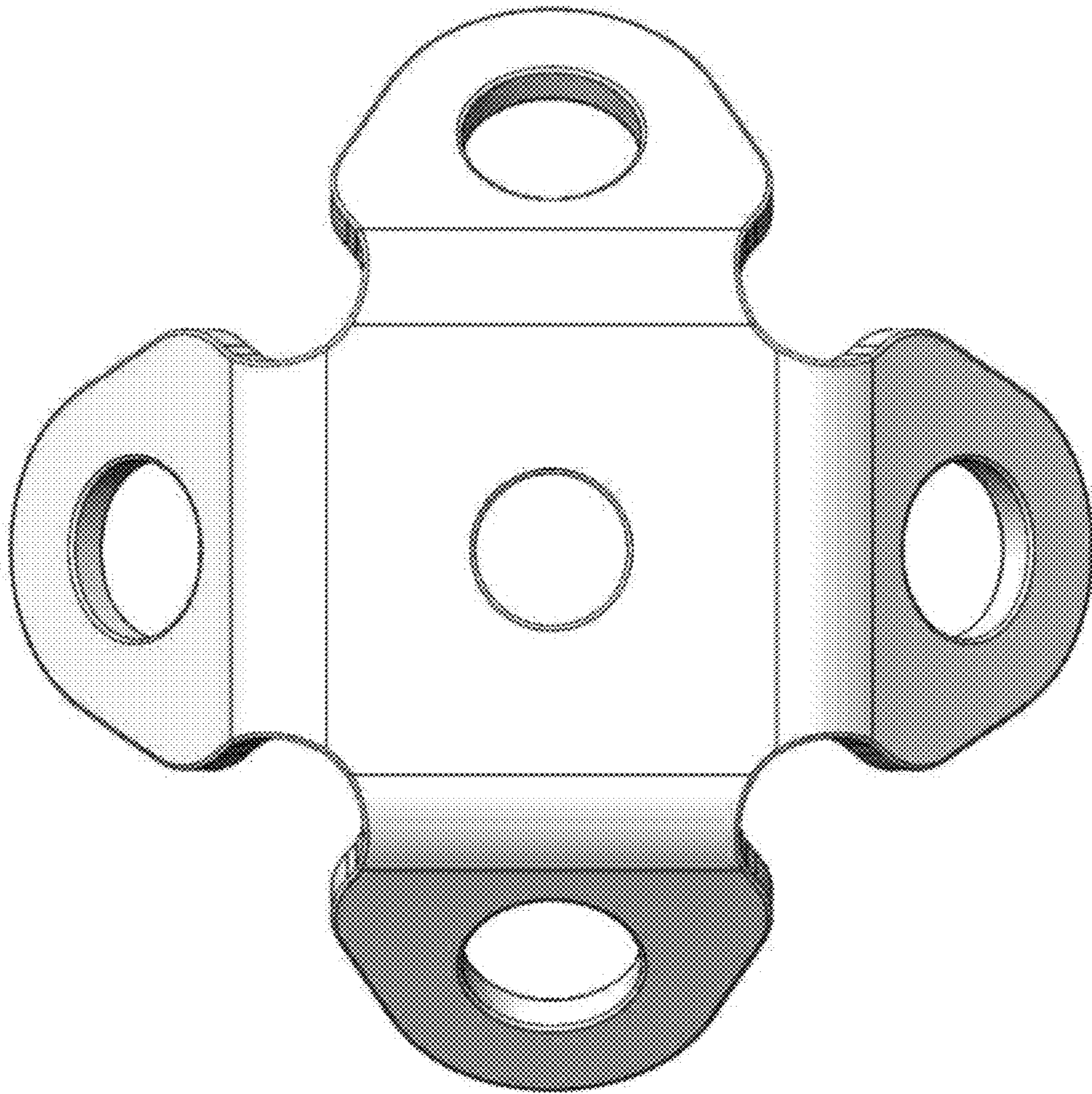
1.2



1.3



1.4



1.5

