



US00D799310S

(12) **United States Design Patent**
Bacallao

(10) **Patent No.:** **US D799,310 S**

(45) **Date of Patent:** **** Oct. 10, 2017**

(54) **COUPLING**

(71) Applicant: **Wal-Mart Stores, Inc.**, Bentonville, AR (US)

(72) Inventor: **Yurgis Mauro Bacallao**, Centerton, AR (US)

(73) Assignee: **WAL-MART STORES, INC.**, Bentonville, AR (US)

(**) Term: **15 Years**

(21) Appl. No.: **29/566,595**

(22) Filed: **Jun. 1, 2016**

(51) **LOC (10) Cl.** **08-08**

(52) **U.S. Cl.**
USPC **D8/382**

(58) **Field of Classification Search**
USPC D8/71, 349, 354, 363, 373, 380, 382,
D8/499; D14/432, 433, 217, 251, 256
CPC H05K 7/00; H05K 7/14; H05K 7/1417;
H05K 5/0204; H05K 5/0208
See application file for complete search history.

(56) **References Cited**

U.S. PATENT DOCUMENTS

3,076,627	A *	2/1963	Huron	G01L 7/082
					248/300
D287,817	S *	1/1987	Henin	49/388
D299,809	S *	2/1989	Hagedorn	248/674
D327,214	S *	6/1992	Stuart	D8/373
D357,400	S *	4/1995	Sachs	D8/354
D408,266	S *	4/1999	Santiago	D8/354
D420,278	S *	2/2000	Coffey	D8/382
D432,901	S *	10/2000	McDonald	D8/354
6,769,750	B2 *	8/2004	Hughes	A47B 47/042
					108/193
6,957,978	B2	10/2005	Zoller		
D516,023	S	2/2006	Quinn		

D542,632	S *	5/2007	Hill	D8/373
D546,366	S *	7/2007	Dittmer	D16/235
D573,008	S *	7/2008	Sipe	D8/356

(Continued)

OTHER PUBLICATIONS

Tram-browning, "L-Bracket 1255 3/4 Hole Stainless Steel NMO 3/4 Hole Mount L Bracket Mobile Antennas Motorola Kenwood Vertex HYT for UHF VHF Coam NMO Mount Cable Mobile Antennas Car Truck Hood install by tram-browning", Amazon.com, first accessed on May 27, 2016; 5 pages.

(Continued)

Primary Examiner — Sandra Snapp

Assistant Examiner — Ieisha Price

(74) *Attorney, Agent, or Firm* — Schmeiser, Olsen & Watts LLP

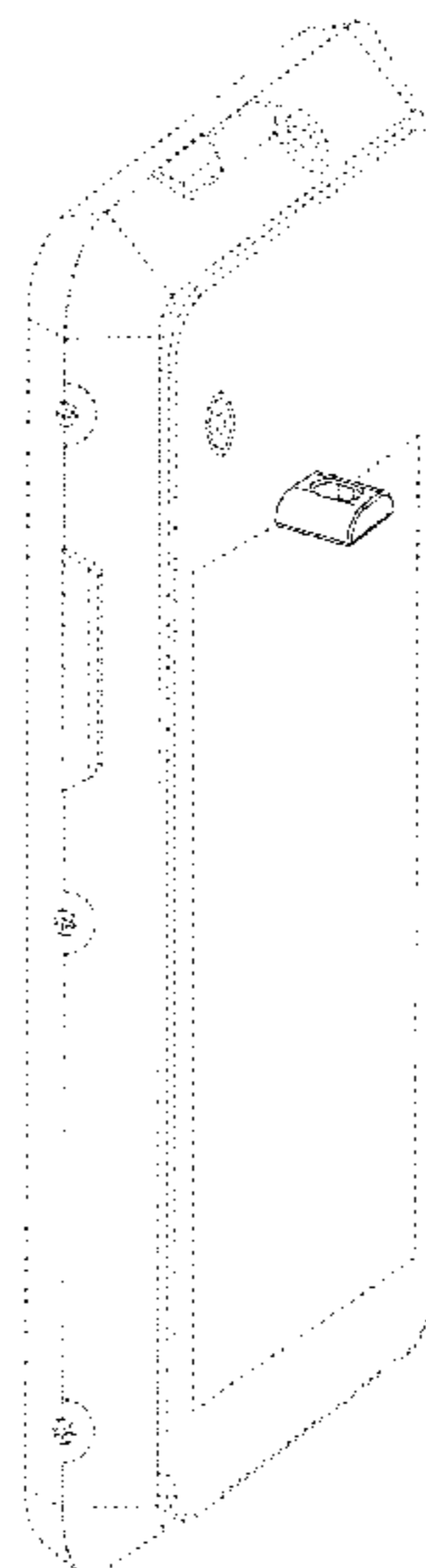
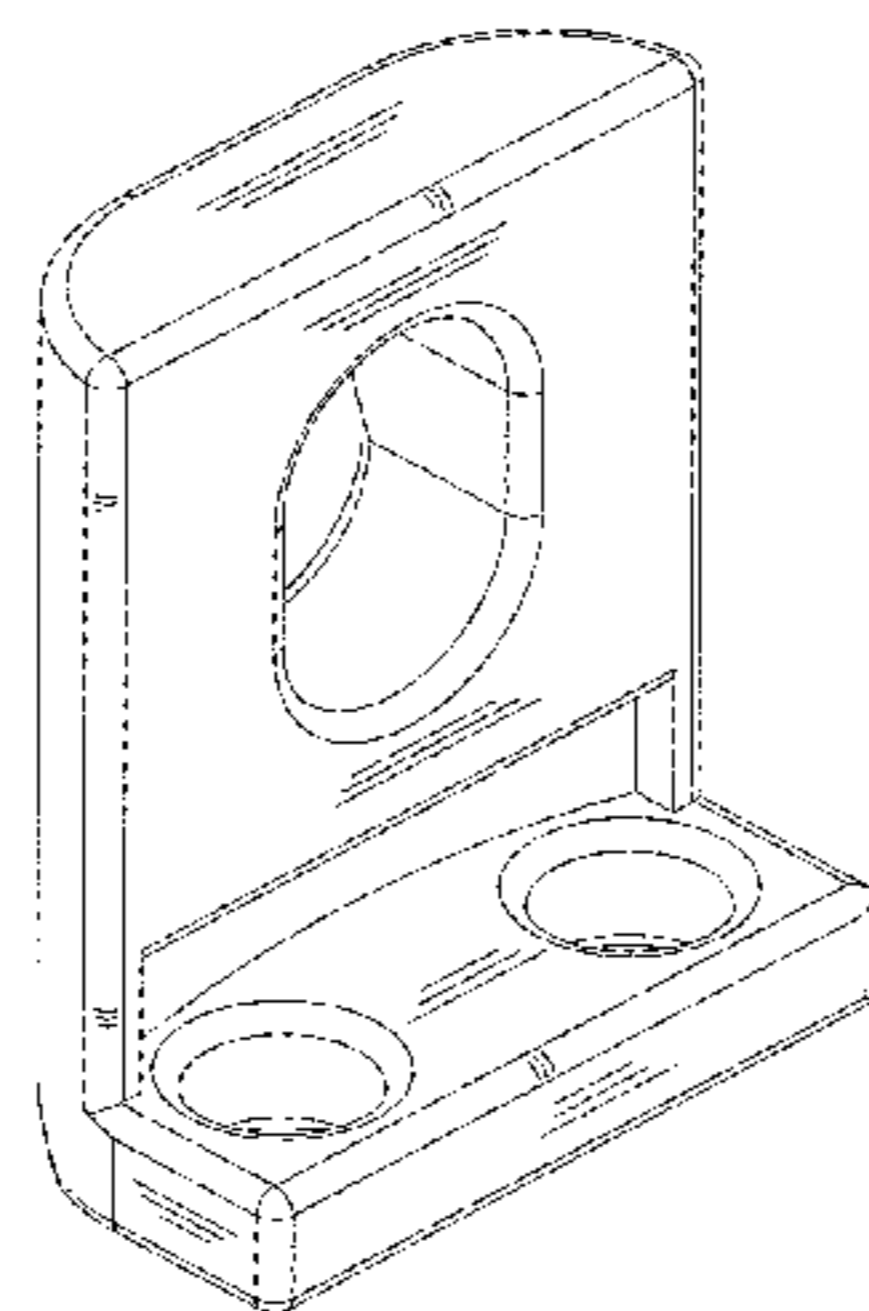
(57) **CLAIM**

An ornamental design for a coupling, as shown and described.

DESCRIPTION

FIG. 1 is a front perspective view of a coupling, in accordance with an embodiment;
FIG. 2 is a rear perspective view of the coupling of FIG. 1;
FIG. 3 is a front view of the coupling of FIG. 1;
FIG. 4 is a rear view of the coupling of FIG. 1;
FIG. 5 is a top view of the coupling of FIG. 1;
FIG. 6 is a bottom view of the coupling of FIG. 1;
FIG. 7 is a right side view of the coupling of FIG. 1;
FIG. 8 is a left side view of the coupling of FIG. 1;
FIG. 9 shows a coupling coupled to a mobile computing device; and,
FIG. 10 shows a coupling coupled to a mobile computing device.
The broken lines showing the electronic device in FIGS. 9 and 10 illustrate the environment of the claimed design and form no part thereof.

1 Claim, 4 Drawing Sheets



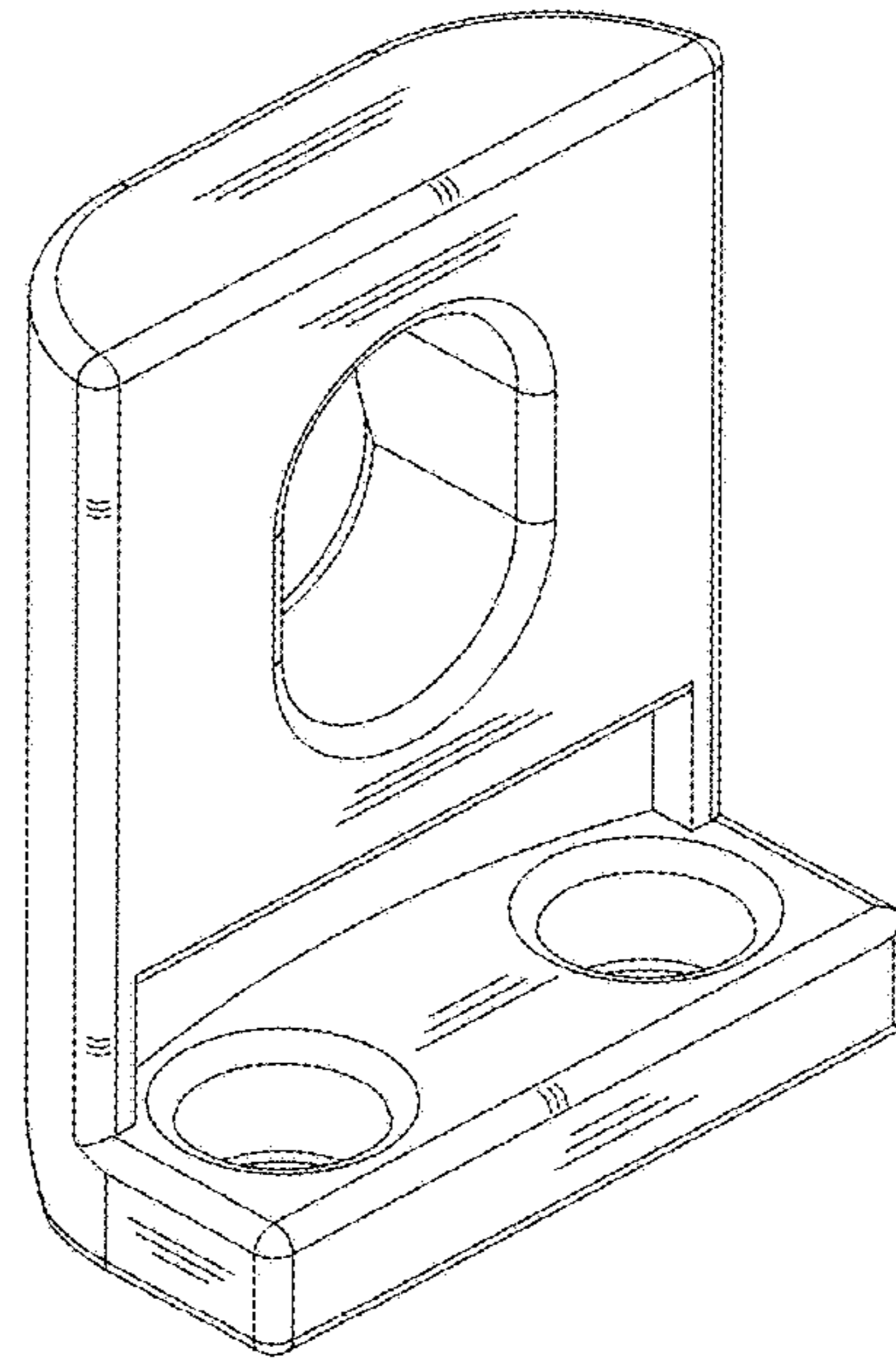


FIG. 1

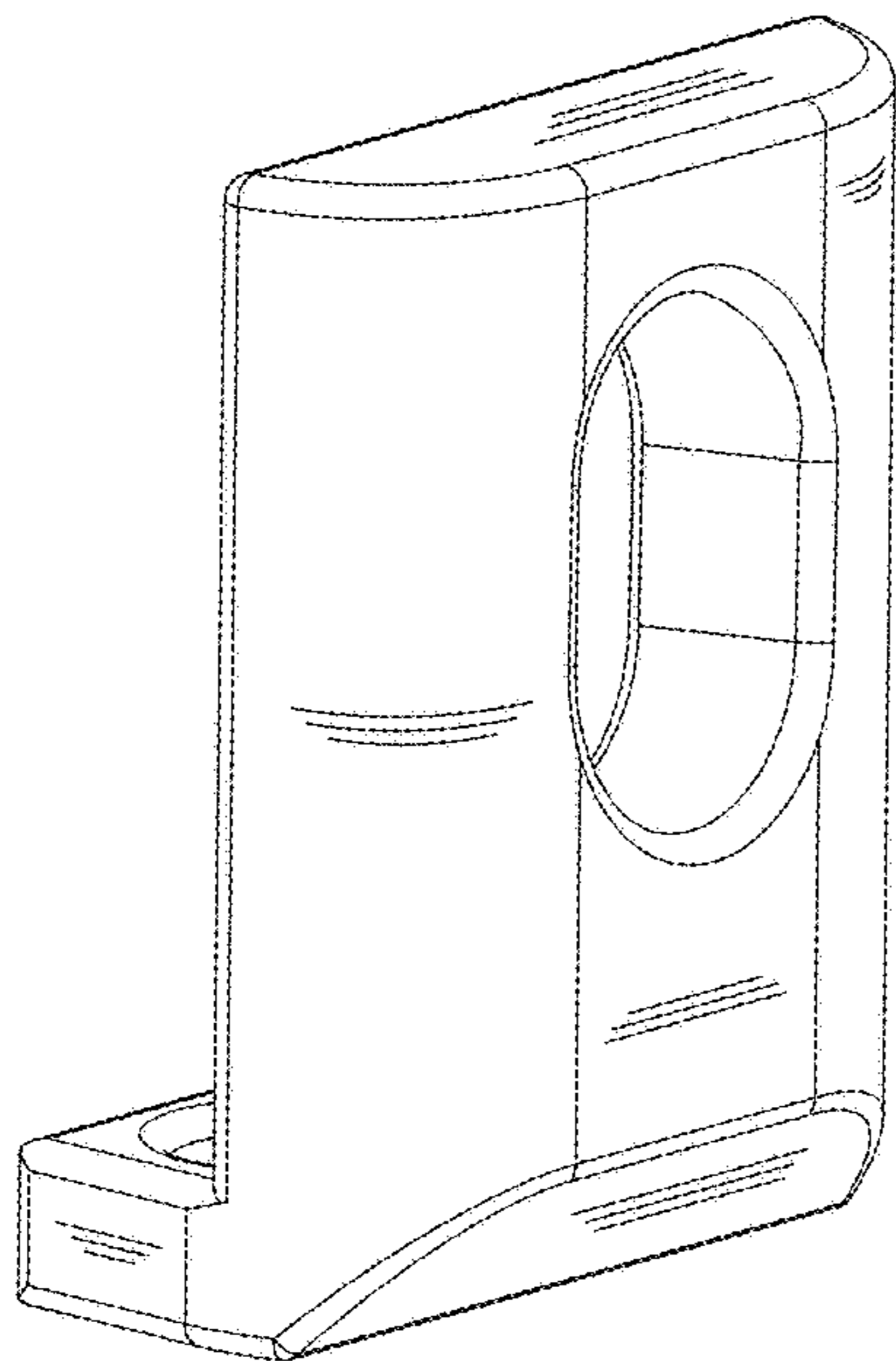


FIG. 2

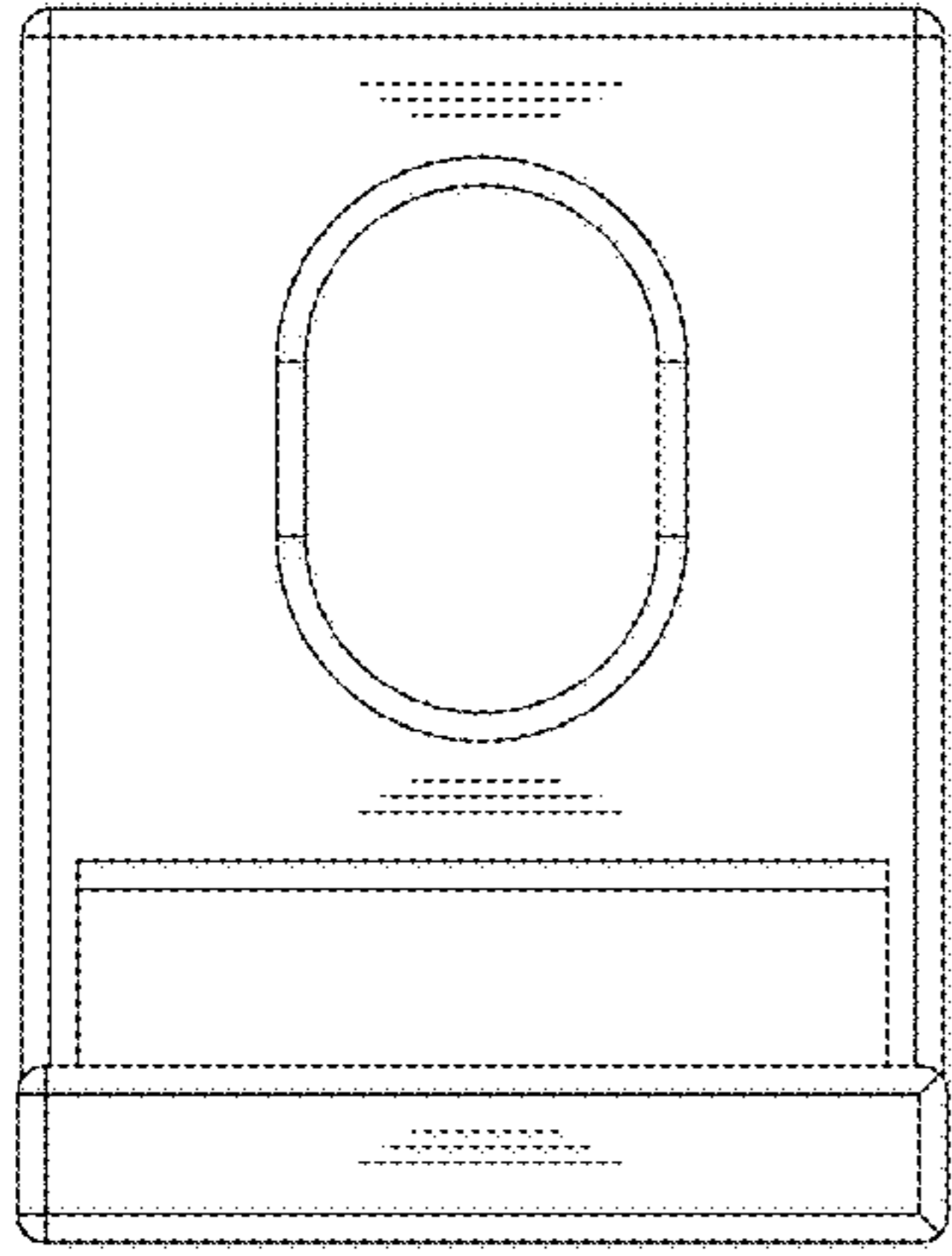


FIG. 3

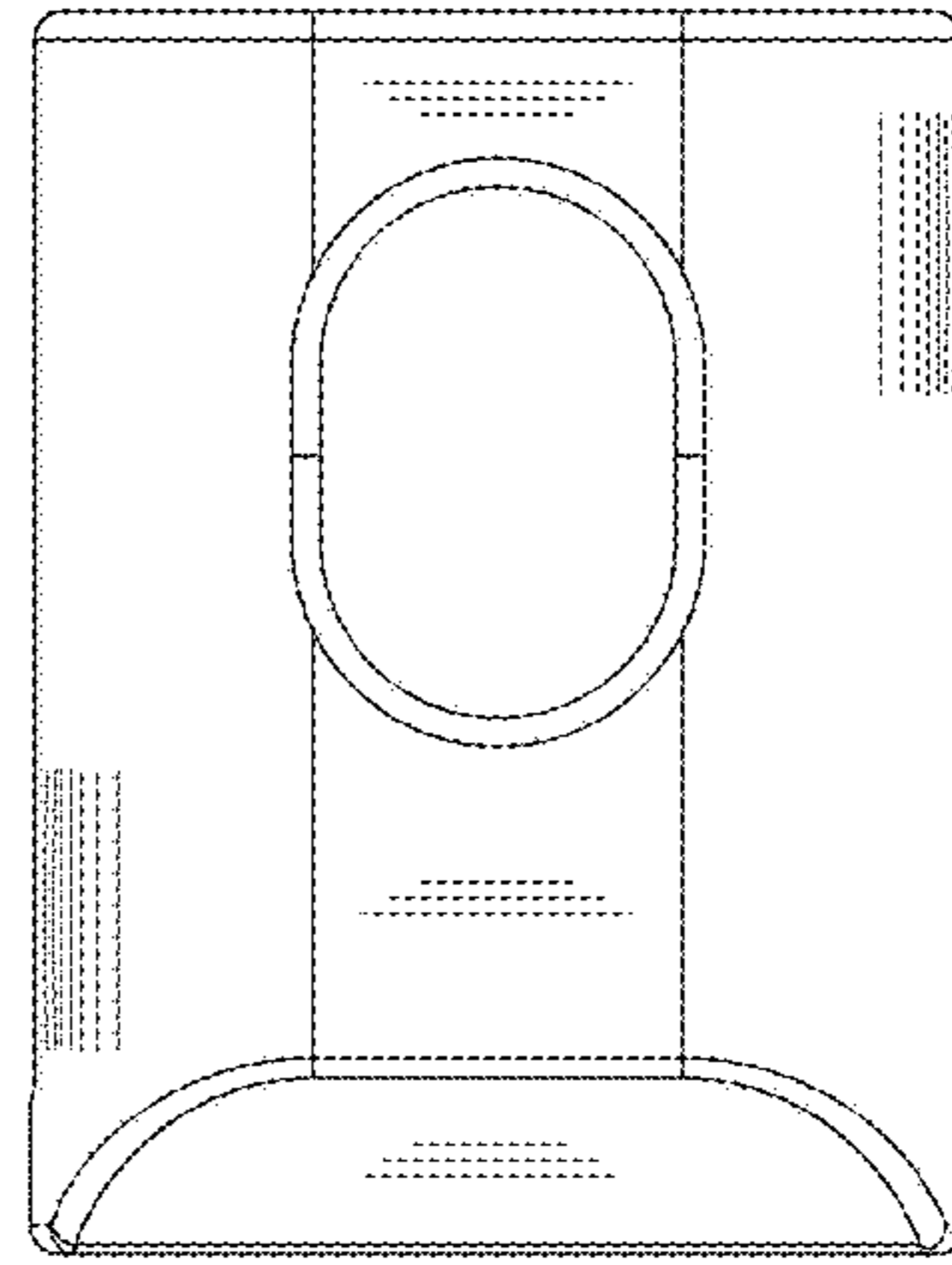


FIG. 4

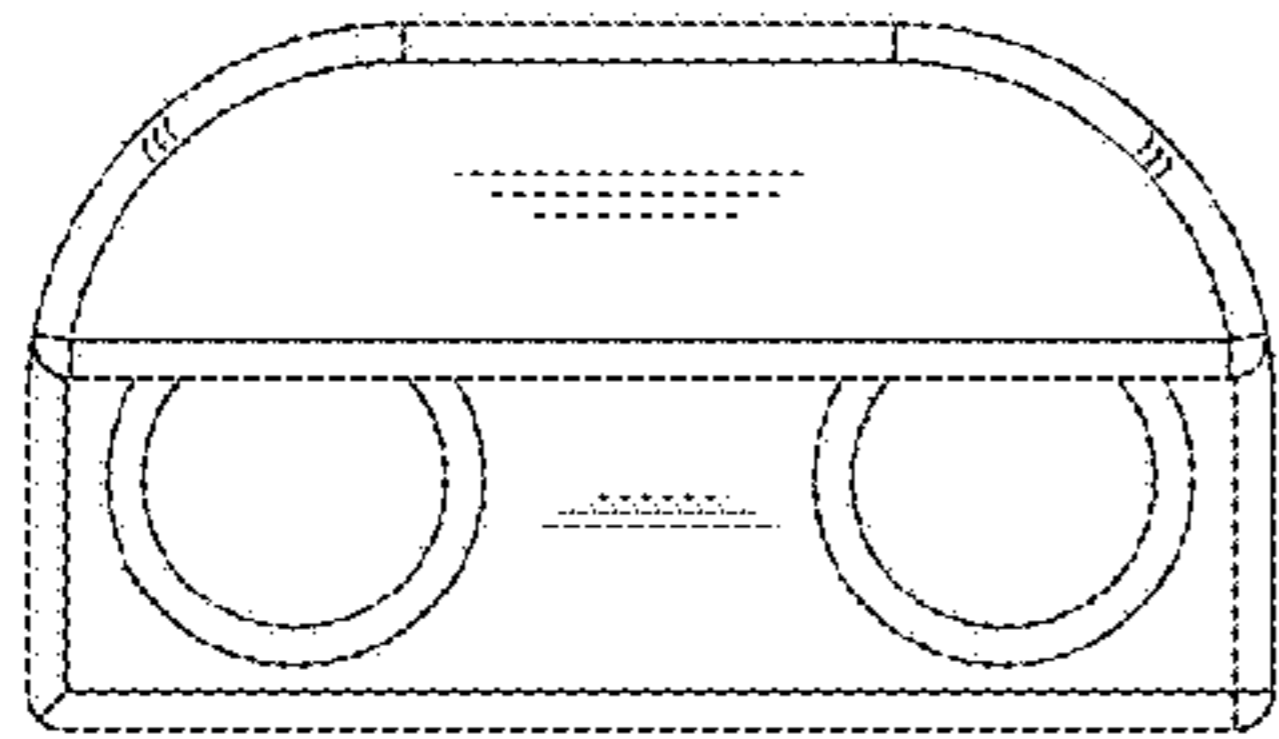


FIG. 5

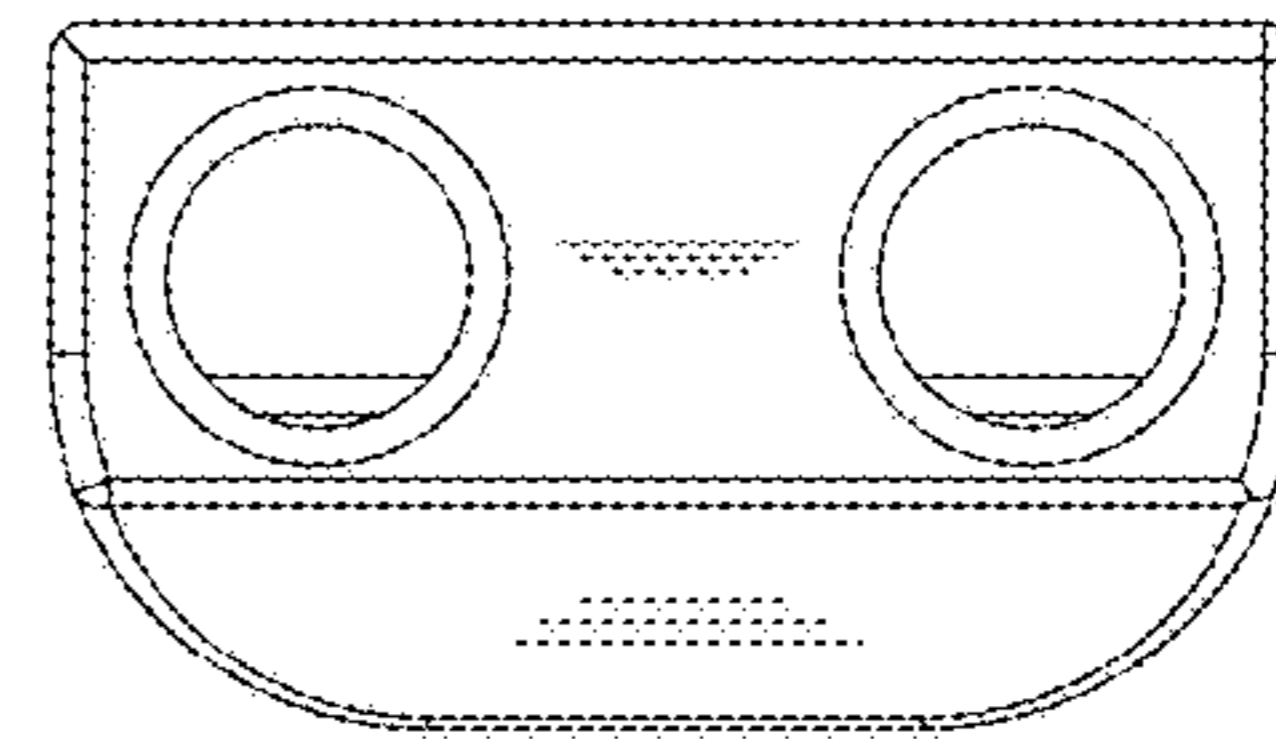


FIG. 6

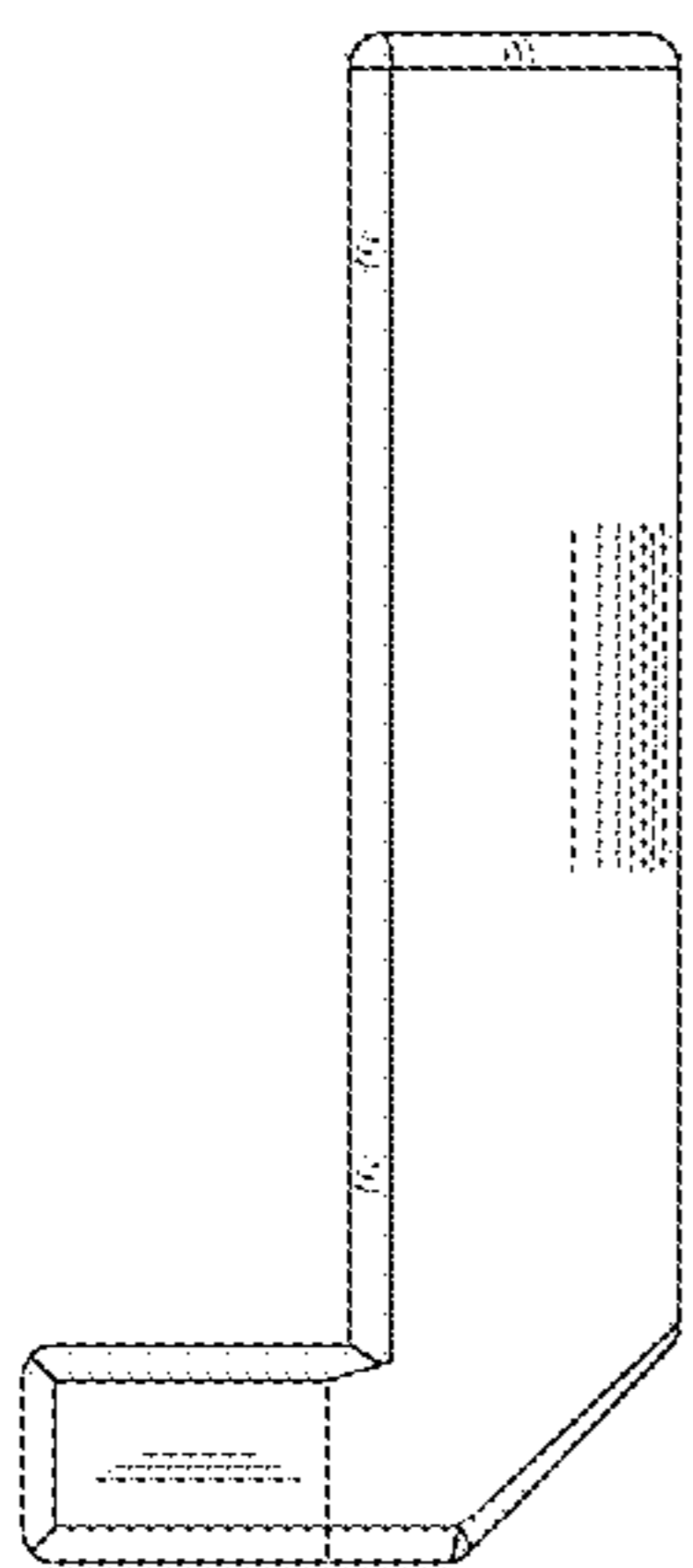


FIG. 7

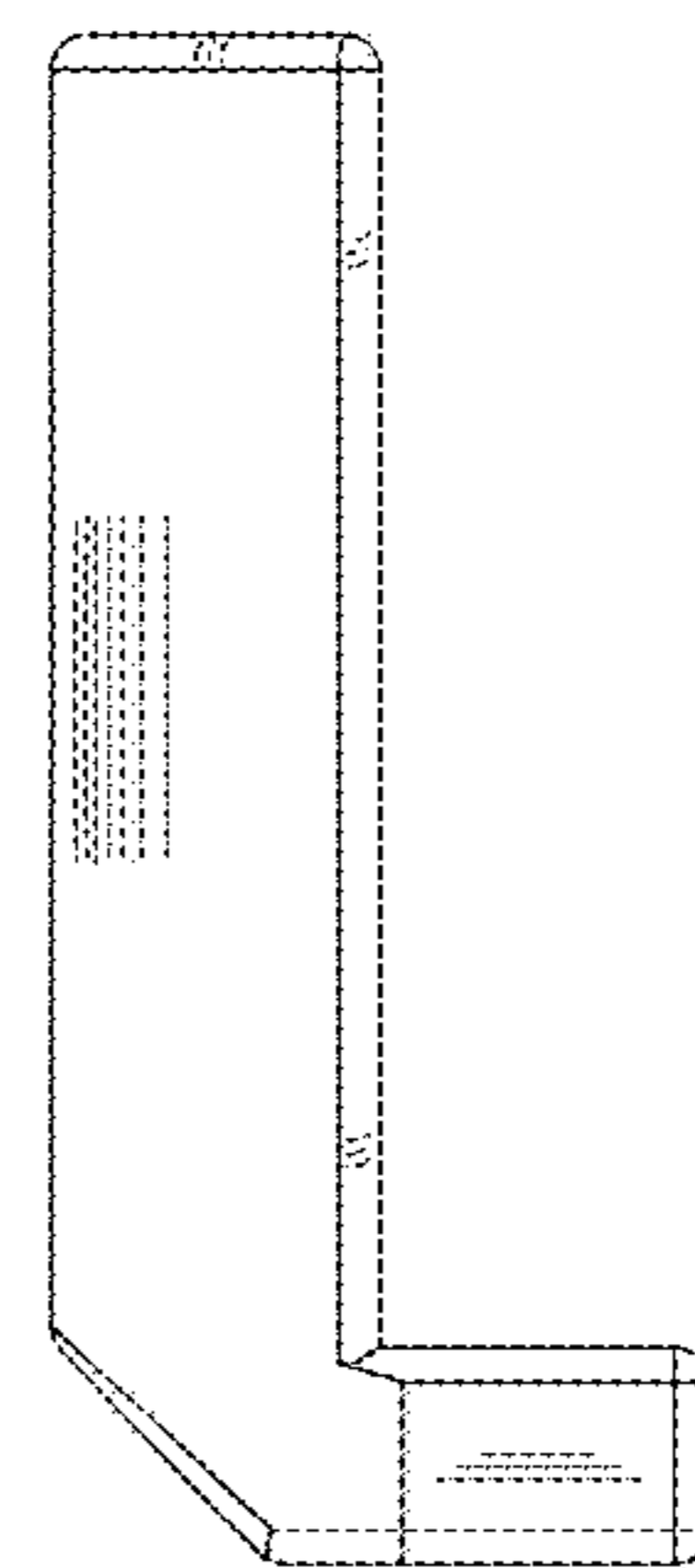


FIG. 8

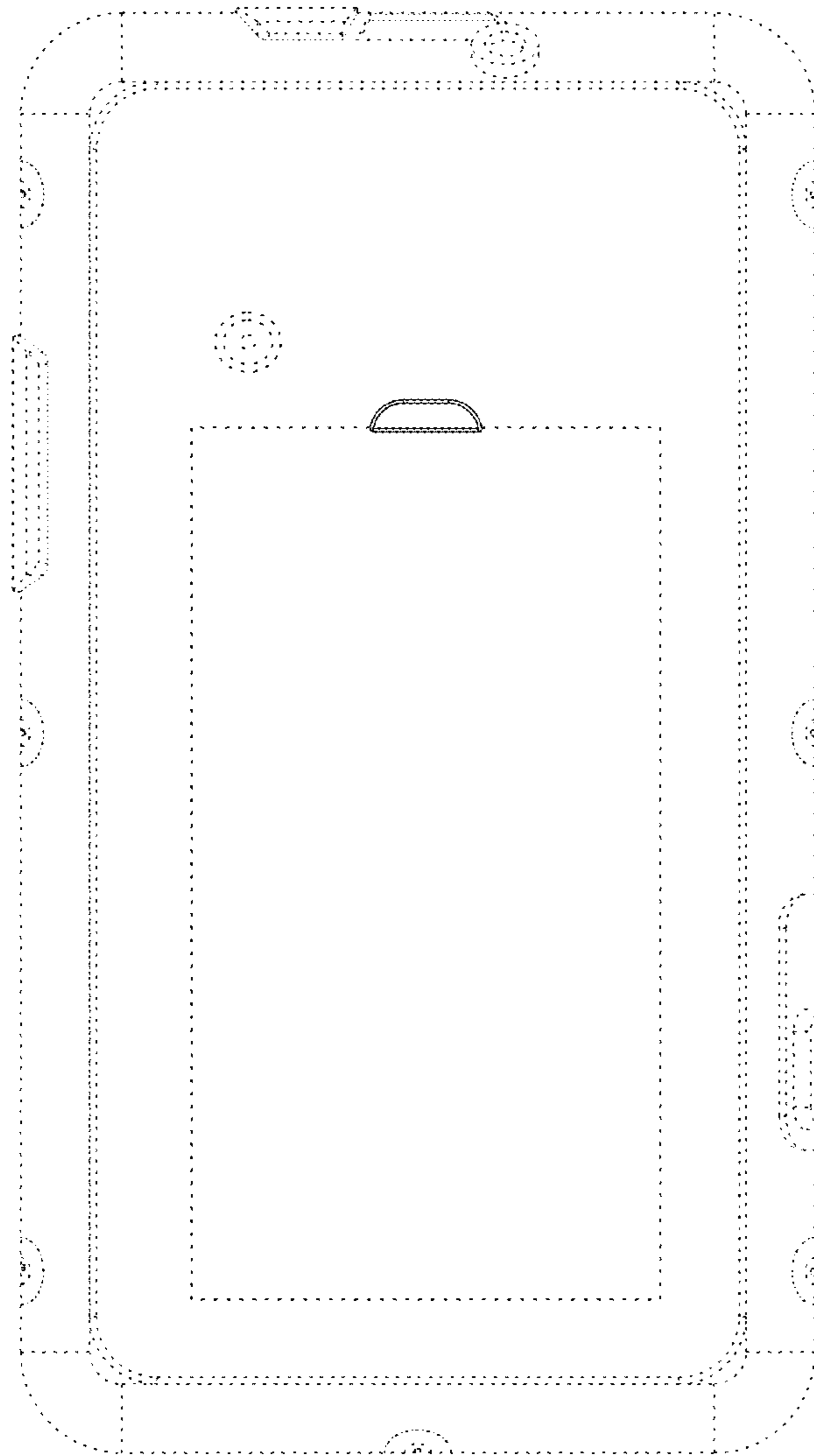


FIG. 9

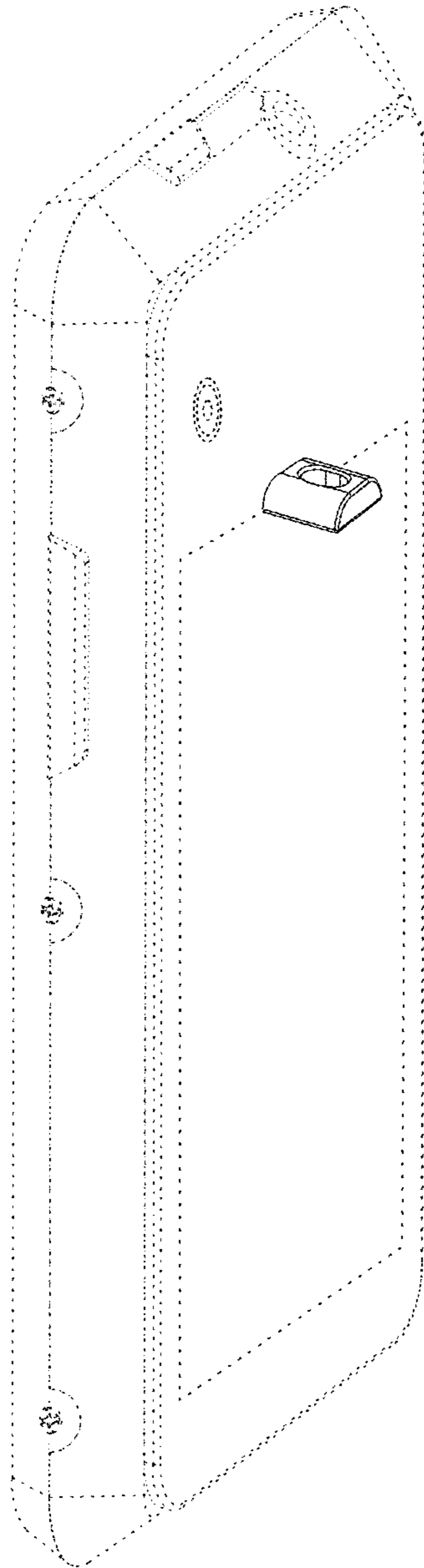


FIG. 10