



US00D799309S

(12) **United States Design Patent** (10) **Patent No.:** **US D799,309 S**
Darby (45) **Date of Patent:** **** Oct. 10, 2017**

(54) **SUPPORT FOR WINDOW AIR
CONDITIONING UNIT**
(71) Applicant: **Nation Wide Products LLC**, Abilene,
TX (US)
(72) Inventor: **Jason Darby**, Abilene, TX (US)
(73) Assignee: **Nation Wide Products LLC**, Abilene,
TX (US)

D695,588 S * 12/2013 Cantwell D8/331
D700,505 S * 3/2014 Totten D8/370
D714,542 S * 10/2014 Barragan D3/228
D731,877 S * 6/2015 Hanson D30/161
9,179,794 B2 * 11/2015 Darby A47H 27/00
D751,370 S * 3/2016 McClees D12/416
D770,801 S * 11/2016 Goodman D6/549
D774,753 S * 12/2016 Moreau D3/228
2014/0090334 A1 4/2014 Darby et al.
2016/0058189 A1 * 3/2016 Darby A47H 27/00
248/236

(**) Term: **15 Years**

OTHER PUBLICATIONS

(21) Appl. No.: **29/557,373**

U.S. Appl. No. 14/226,448, Darby.

(22) Filed: **Mar. 8, 2016**

* cited by examiner

(51) **LOC (10) Cl.** **08-05**

Primary Examiner — Rosemary K Tarcza

(52) **U.S. Cl.**
USPC **D8/373**

Assistant Examiner — Yolanda Robinson

(58) **Field of Classification Search**
USPC D8/16, 17, 18, 19, 20, 356, 363, 366,
D8/370, 380, 381, 373; D12/416;
D6/324, 549; D32/54; D20/42
CPC A47H 27/00; F24F 13/32; A47G 23/0225
See application file for complete search history.

(74) *Attorney, Agent, or Firm* — Norton Rose Fulbright
US LLP

(57) **CLAIM**

The ornamental design for a support for window air condi-
tioning unit, as shown and described.

(56) **References Cited**

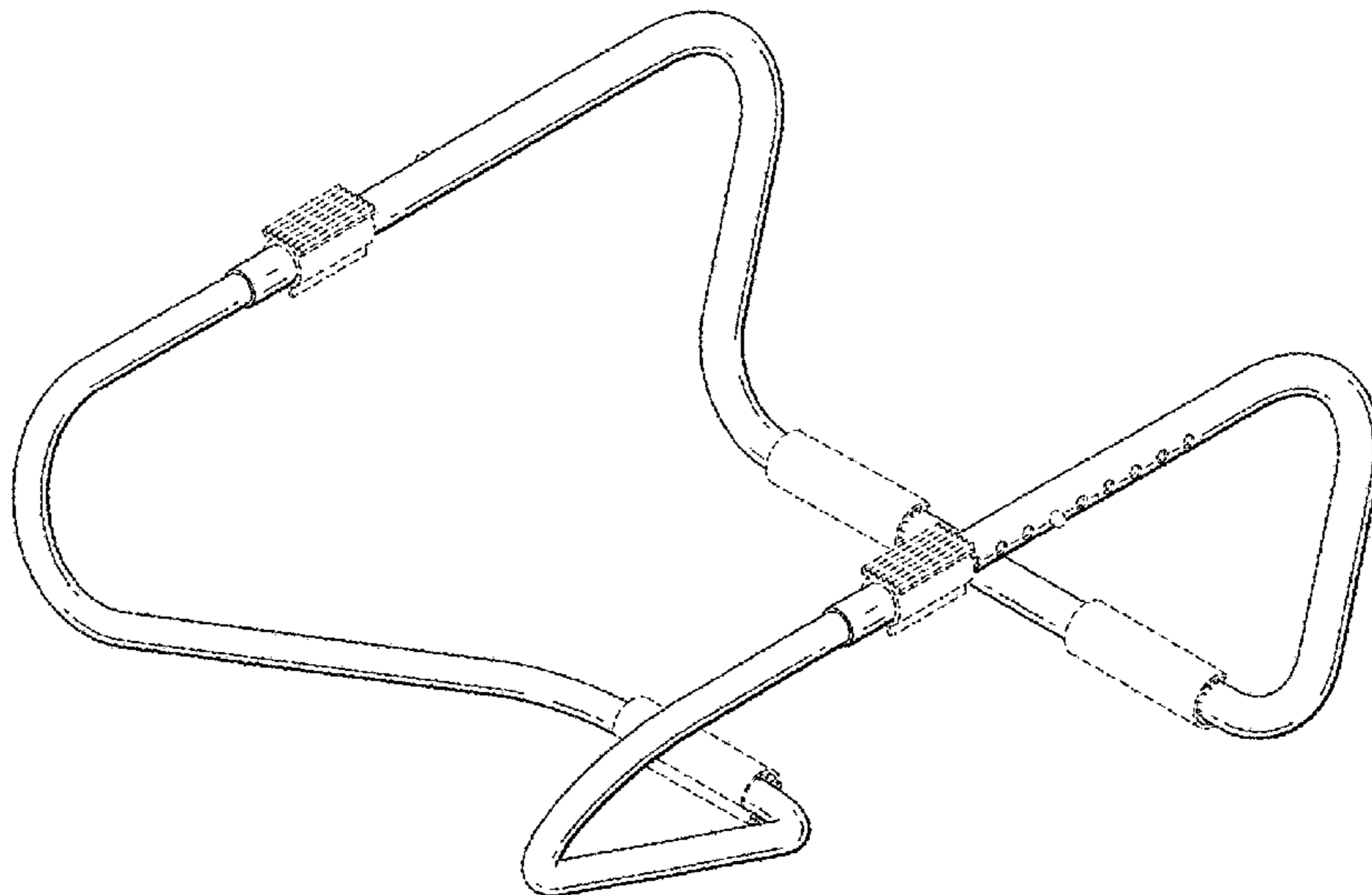
DESCRIPTION

U.S. PATENT DOCUMENTS

2,381,810 A 8/1945 Elwood
2,568,968 A * 9/1951 Perrin E04G 3/18
248/236
2,678,243 A 5/1954 Masse
3,857,365 A 12/1974 Mueller
6,052,918 A * 4/2000 Oletzke D06F 57/12
211/119.004
D499,956 S * 12/2004 Wall D8/370
7,237,687 B1 * 7/2007 Abdi A47G 25/0685
211/119.004
D555,462 S * 11/2007 Moffitt D8/370
D615,264 S * 5/2010 Yon D32/54
D642,898 S * 8/2011 Slavov D8/370

FIG. 1 is a front perspective view of a support for window
air conditioning unit showing our new design;
FIG. 2 is a front elevation view thereof;
FIG. 3 is a back elevation view thereof;
FIG. 4 is a top plan view thereof;
FIG. 5 is a bottom plan view thereof;
FIG. 6 is a right side elevation view thereof;
FIG. 7 is a left side elevation view thereof; and,
FIG. 8 is a front perspective environmental view thereof.
The broken lines shown in the figures represent unclaimed
subject matter and form no part of the claimed design.

1 Claim, 8 Drawing Sheets



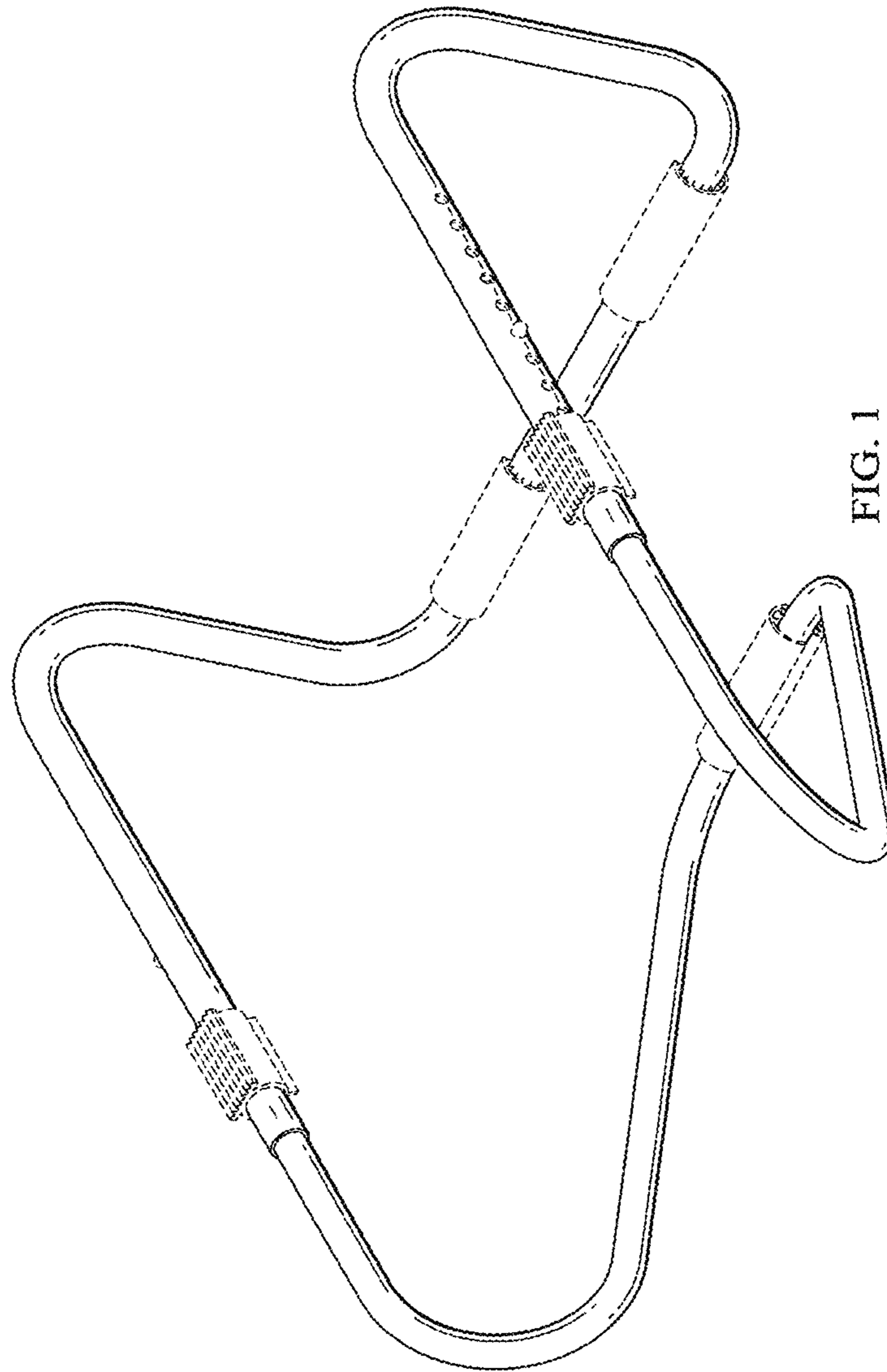


FIG. 1

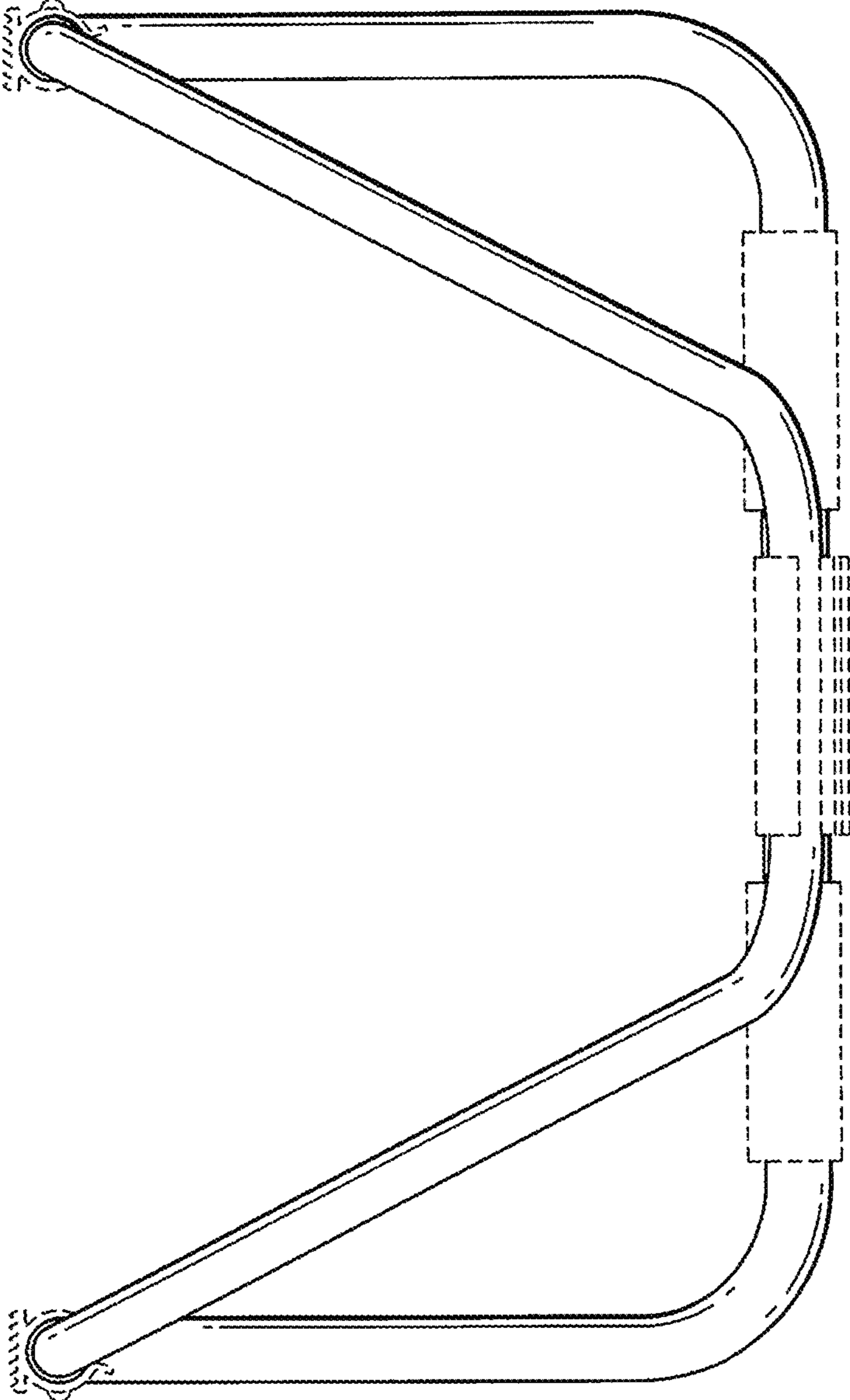


FIG. 2

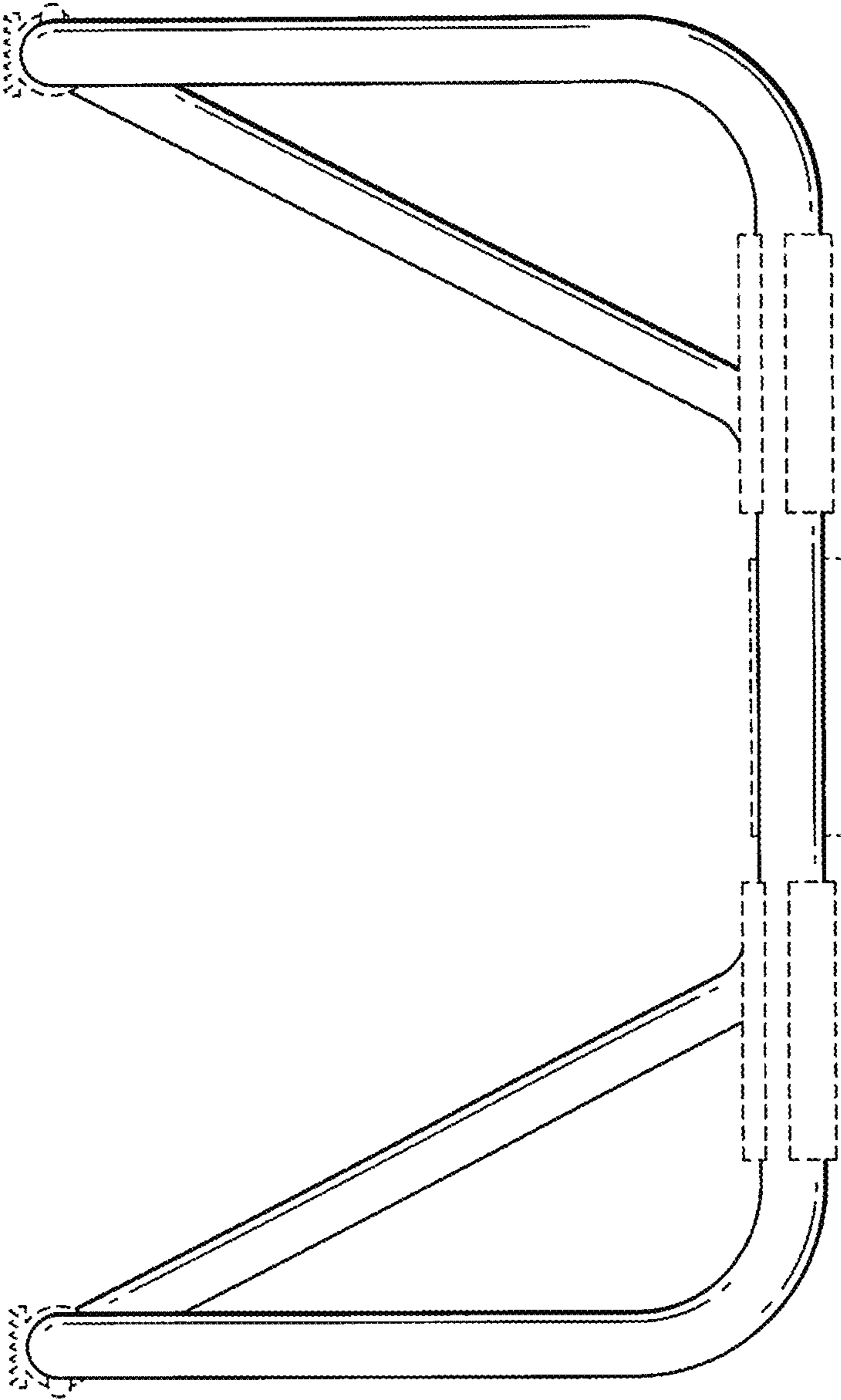


FIG. 3

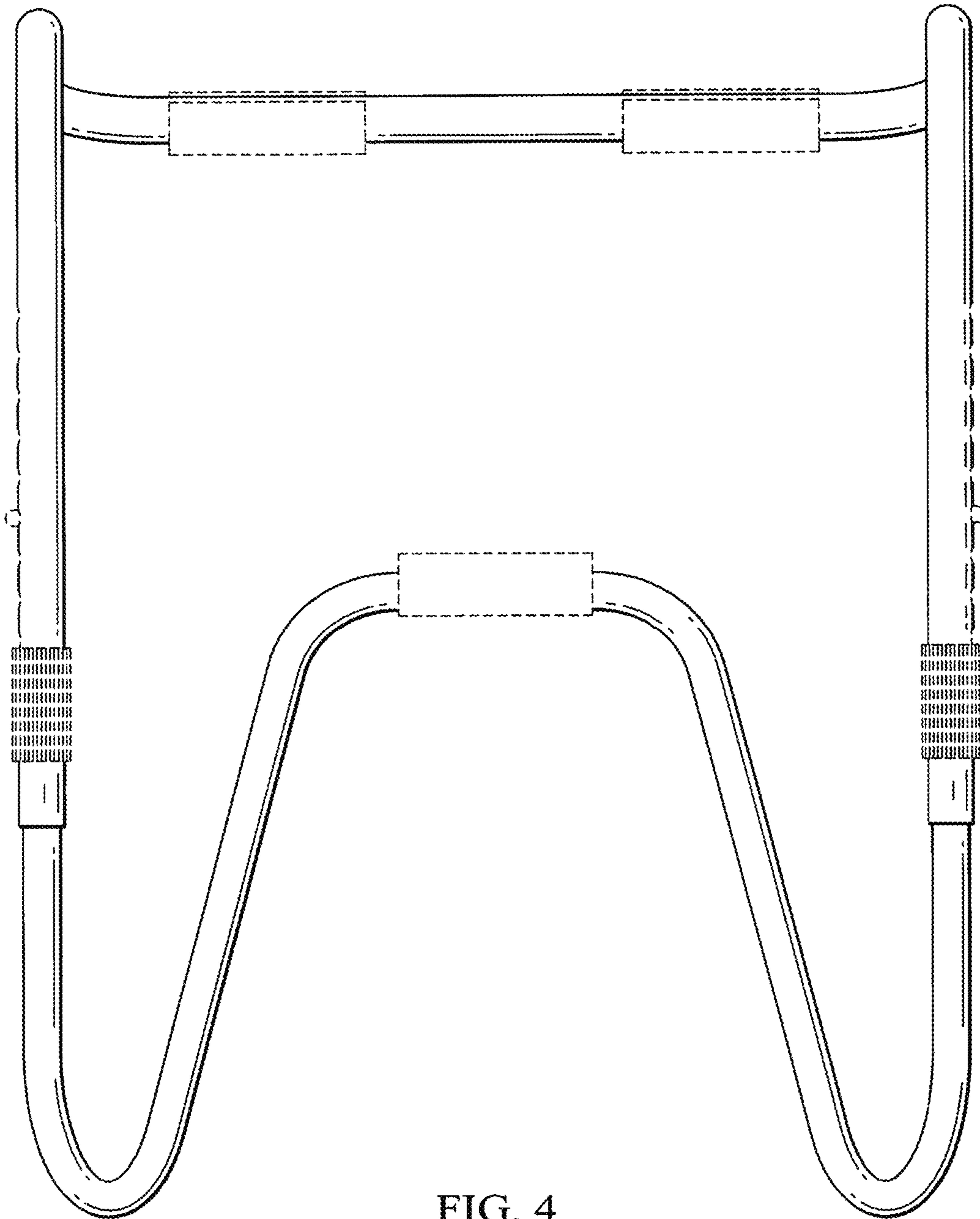


FIG. 4

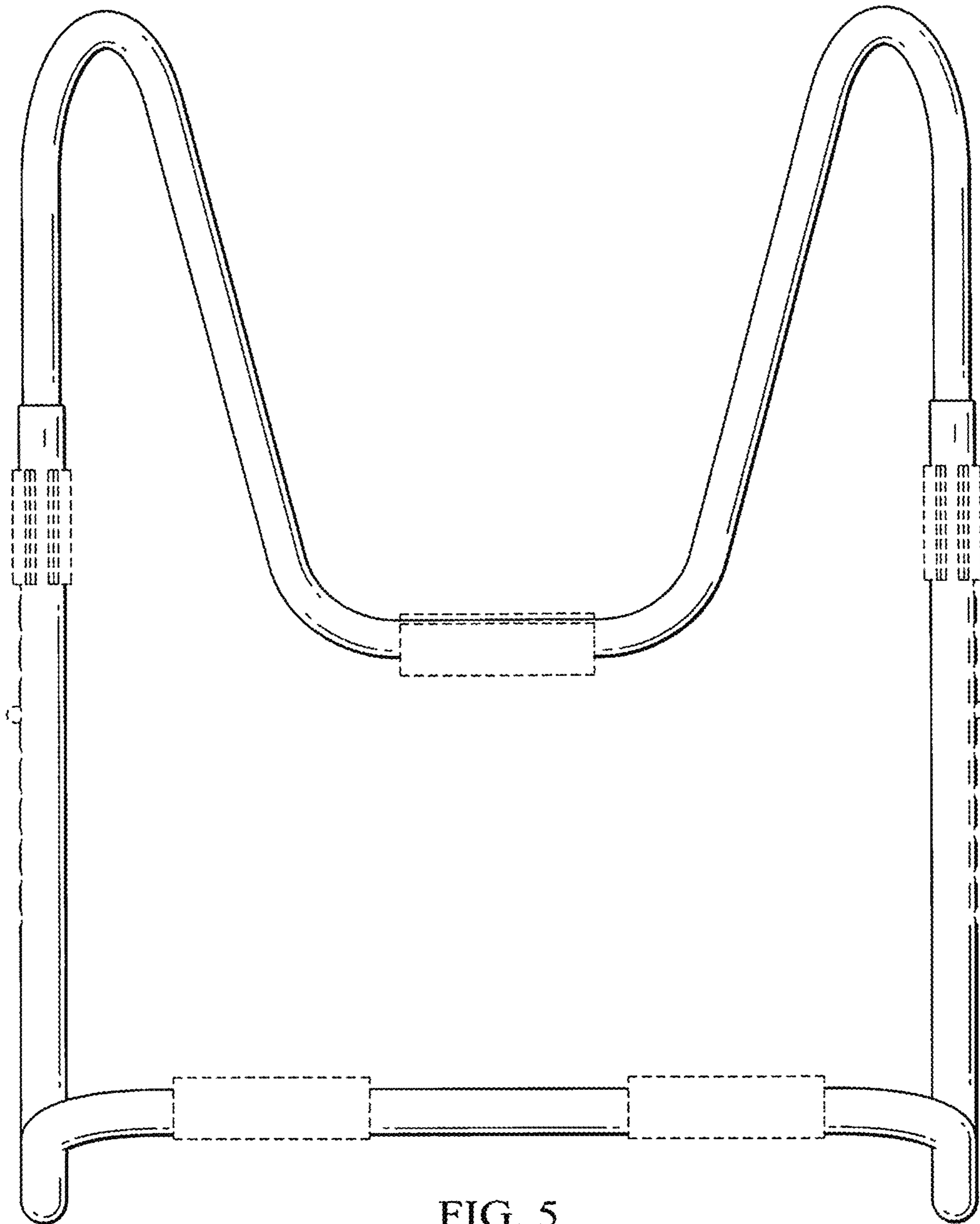


FIG. 5

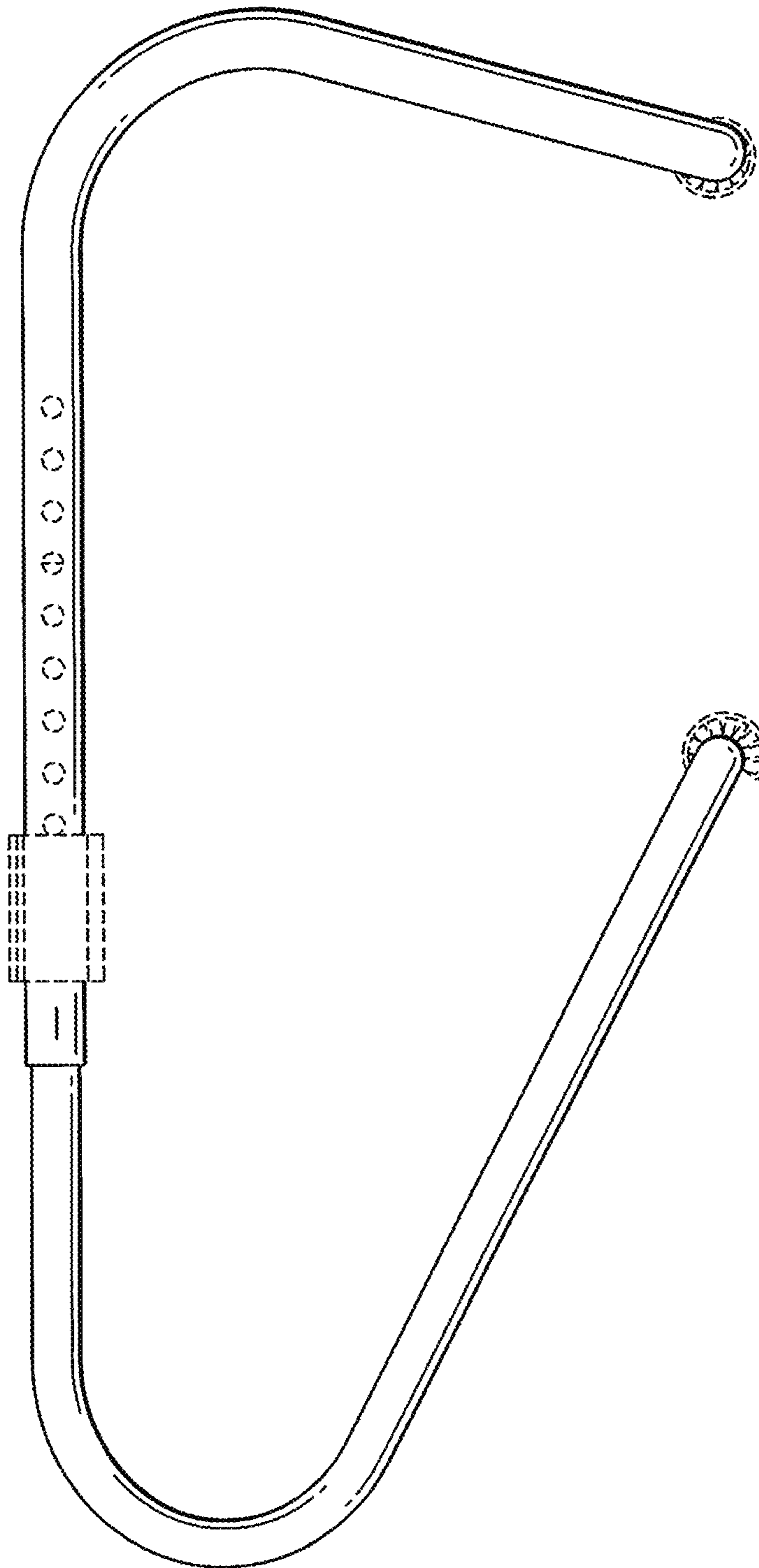


FIG. 6

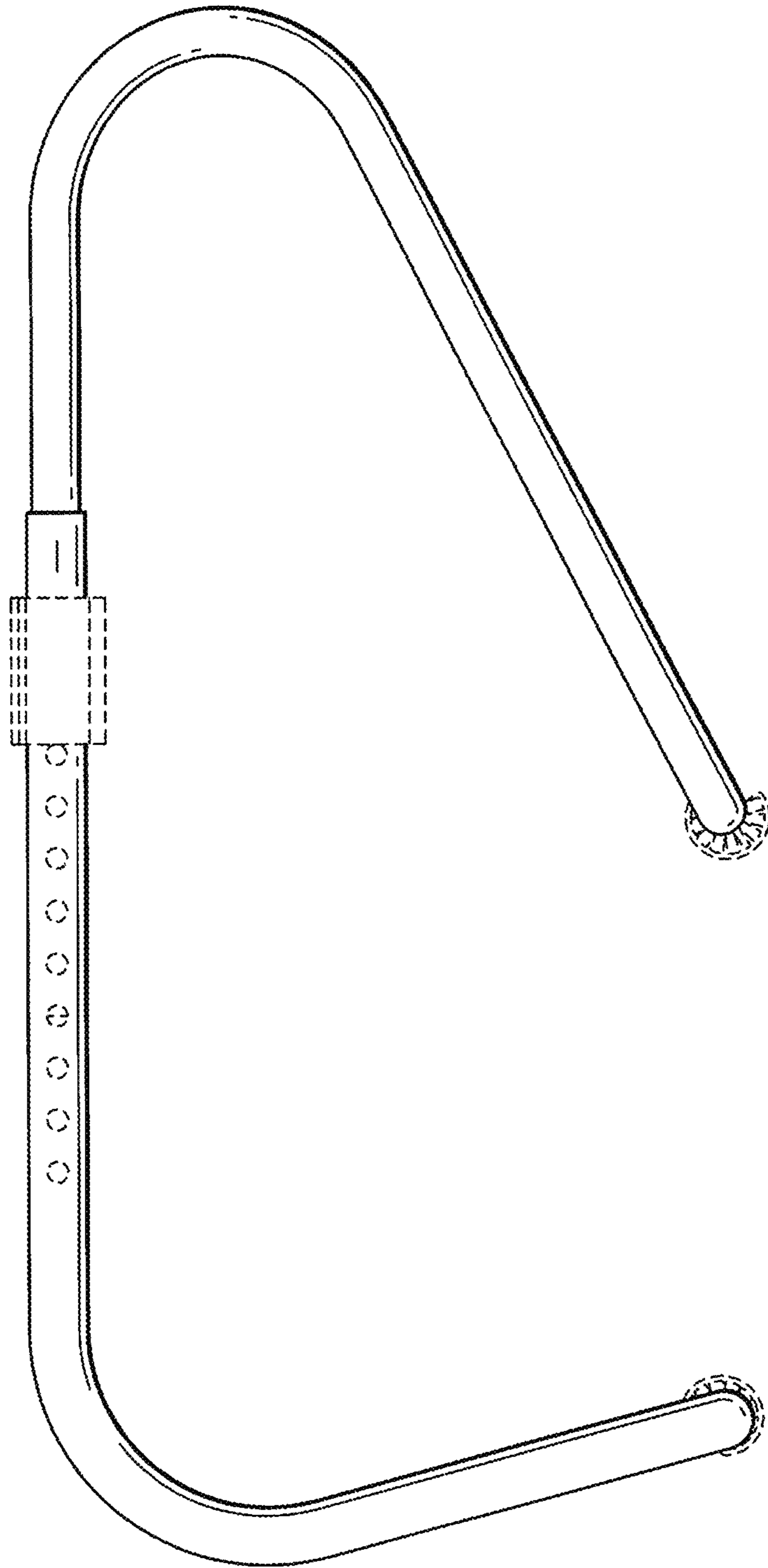


FIG. 7

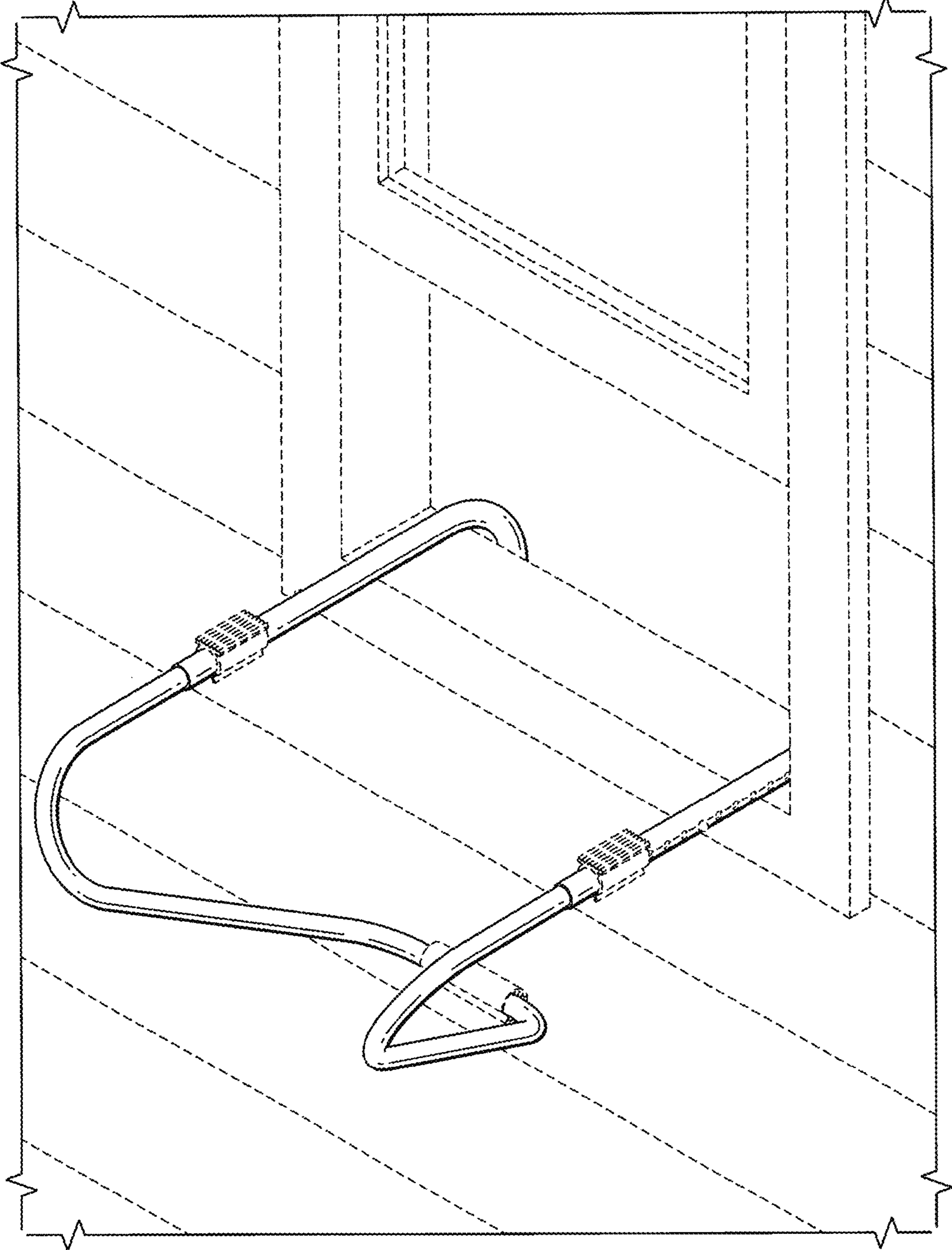


FIG. 8