



US00D799308S

(12) **United States Design Patent** (10) **Patent No.:** **US D799,308 S**
Zech (45) **Date of Patent:** **** Oct. 10, 2017**

(54) **HANDBAG HOLDER**
(71) Applicant: **Ellen Zech**, Chicago, IL (US)
(72) Inventor: **Ellen Zech**, Chicago, IL (US)
(73) Assignee: **Ellen Zech**, Chicago, IL (US)
(**) Term: **15 Years**
(21) Appl. No.: **29/548,805**

D753,468 S * 4/2016 Weger D8/356
D755,313 S * 5/2016 Dima D21/687
D759,332 S * 6/2016 Basmajian D34/1
D764,594 S * 8/2016 Aragon D20/43
(Continued)

FOREIGN PATENT DOCUMENTS

CN 0N201256868 6/2009
JP H08258850 10/1996
(Continued)

(22) Filed: **Dec. 16, 2015**
(51) **LOC (10) Cl.** **08-05**
(52) **U.S. Cl.**
USPC **D8/373**
(58) **Field of Classification Search**
USPC D8/16, 17, 18, 20, 377, 380, 381, 363,
D8/366; D34/39; 220/23.2; 206/320;
D20/42
CPC A47G 29/083; A47G 23/0225; H04R 5/02;
B65D 21/0204
See application file for complete search history.

OTHER PUBLICATIONS

Images of InterDesign Zia Swivel Hanging Handbag Holder obtained from www.amazon.com, last visited Jun. 12, 2014.

Primary Examiner — Manpreet Matharu
Assistant Examiner — Yolanda Robinson
(74) *Attorney, Agent, or Firm* — Beem Patent Law Firm

(57) **CLAIM**

The ornamental design for a handbag holder, as shown and described.

(56) **References Cited**

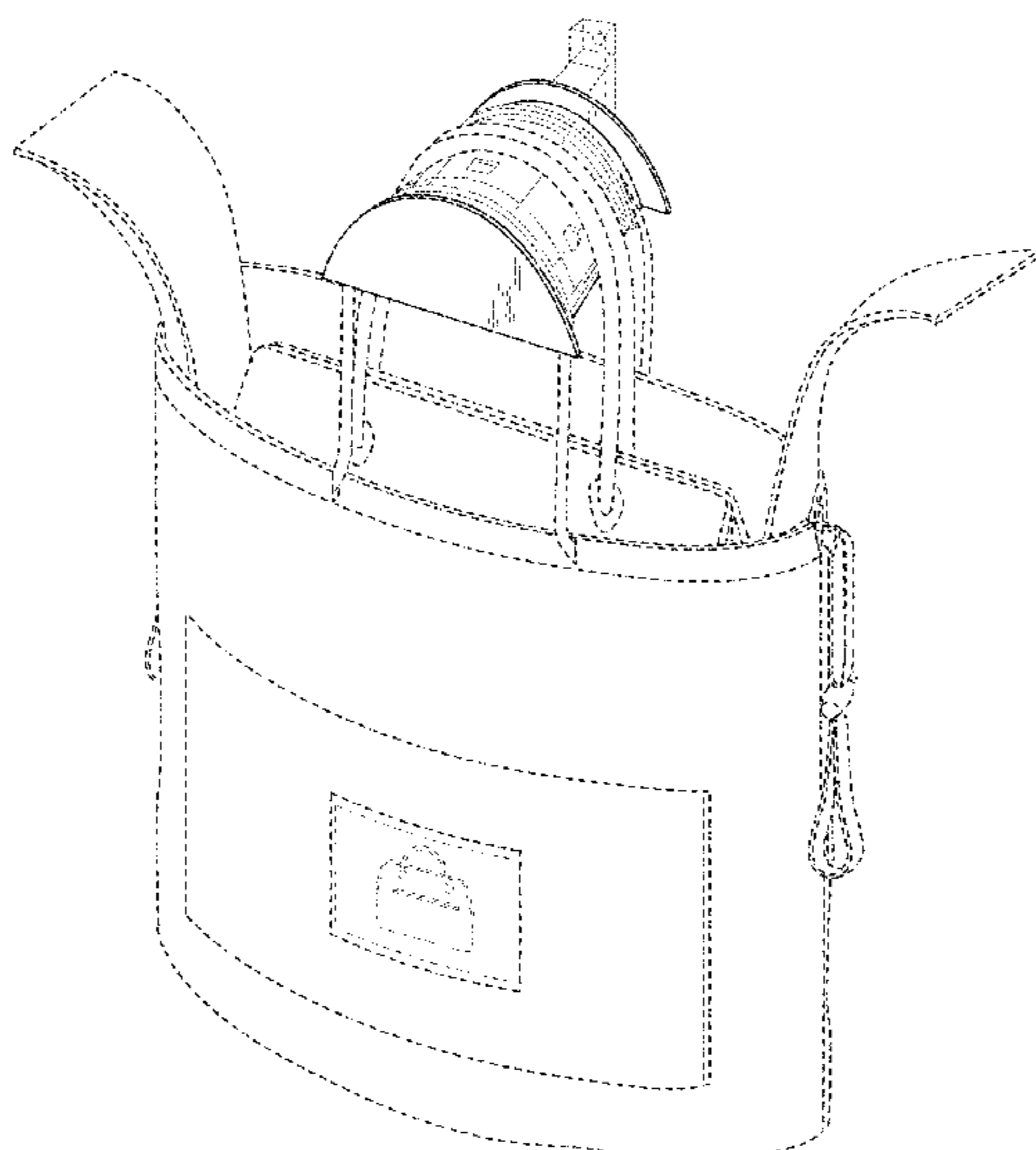
U.S. PATENT DOCUMENTS

2,726,004 A * 12/1955 McLeod B65D 7/02
220/23.2
3,638,890 A * 2/1972 Burrell A47G 25/28
211/113
3,762,600 A * 10/1973 Kreutzweiser H04R 5/02
206/320
D271,546 S * 11/1983 Smith D6/324
5,005,791 A 4/1991 Lanzen
5,246,190 A 9/1993 Swirkal
6,715,260 B1 4/2004 Matteis
6,726,156 B1 4/2004 Scola
D585,098 S * 1/2009 Rauwerdink D21/686
632,989 A1 2/2011 Heroux
8,640,890 B2 2/2014 Schiller
D723,905 S * 3/2015 Fugett D8/380
D741,963 S * 10/2015 Baumann D21/688
D748,458 S * 2/2016 Zech D8/373

DESCRIPTION

FIG. 1 is a perspective view of a handbag holder showing the new design with a handbag and cover shown as environment.
FIG. 2 is a perspective view of the bottom of the holder of FIG. 1.
FIG. 3 is a front view of the holder of FIG. 1.
FIG. 4 is a rear view of the holder of FIG. 1.
FIG. 5 is a left view of the holder of FIG. 1.
FIG. 6 is a right view of the holder of FIG. 1.
FIG. 7 is a top view of the holder of FIG. 1; and,
FIG. 8 is a bottom view of the holder of FIG. 1.
The broken-line disclosure in the views depicts environmental subject matter and forms no part of the claimed design.

1 Claim, 4 Drawing Sheets



(56)

References Cited

U.S. PATENT DOCUMENTS

D765,997 S * 9/2016 Sandgrund D6/327
D769,642 S * 10/2016 Holton D6/552
D770,556 S * 11/2016 Sharma D16/237
2016/0095404 A1* 4/2016 Zech A45C 13/001
383/15

FOREIGN PATENT DOCUMENTS

JP 2005212828 8/2005
JP 2005348759 12/2005
JP 2013146503 8/2013
KR 20130026660 3/2013

* cited by examiner

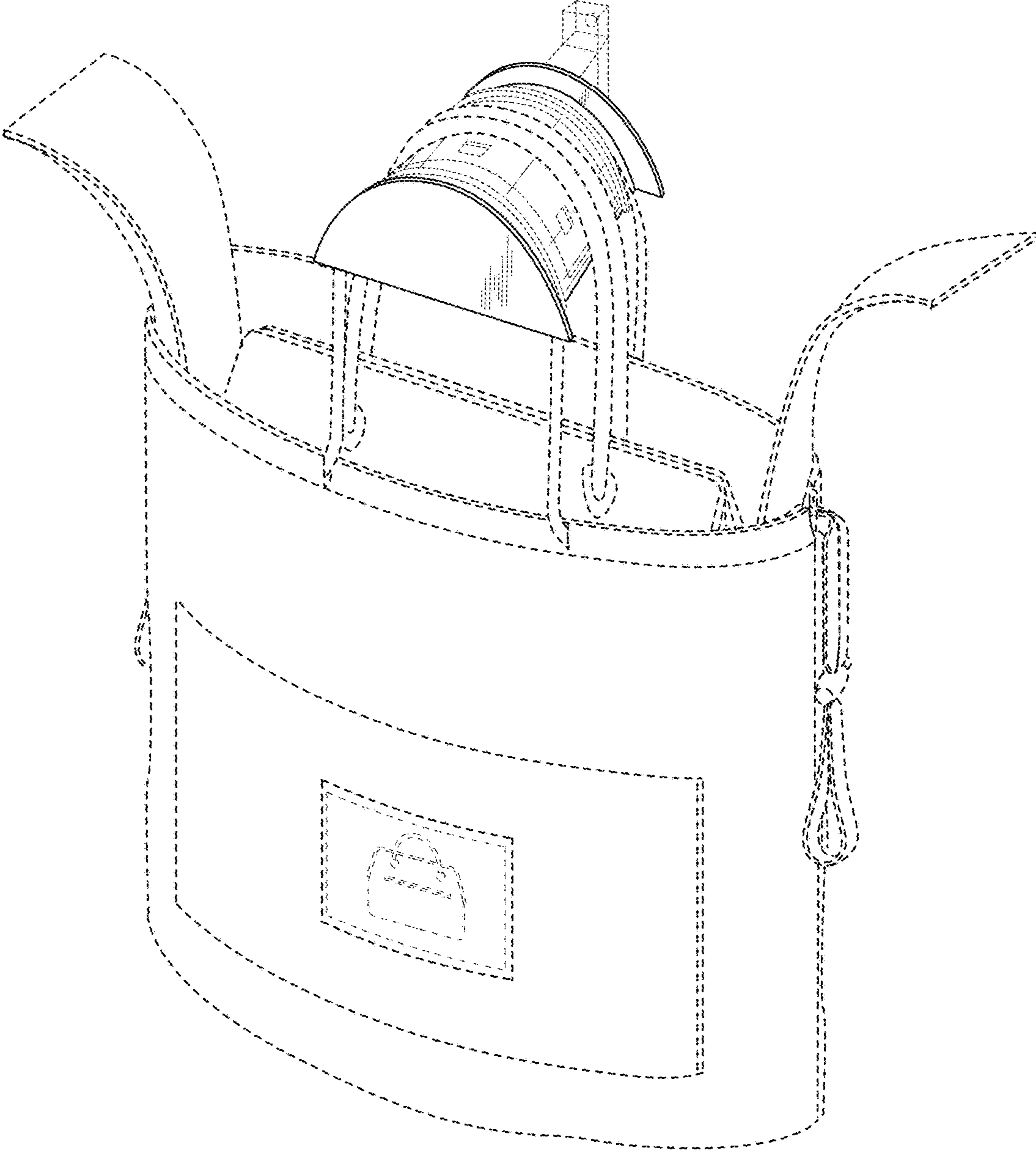


FIG. 1

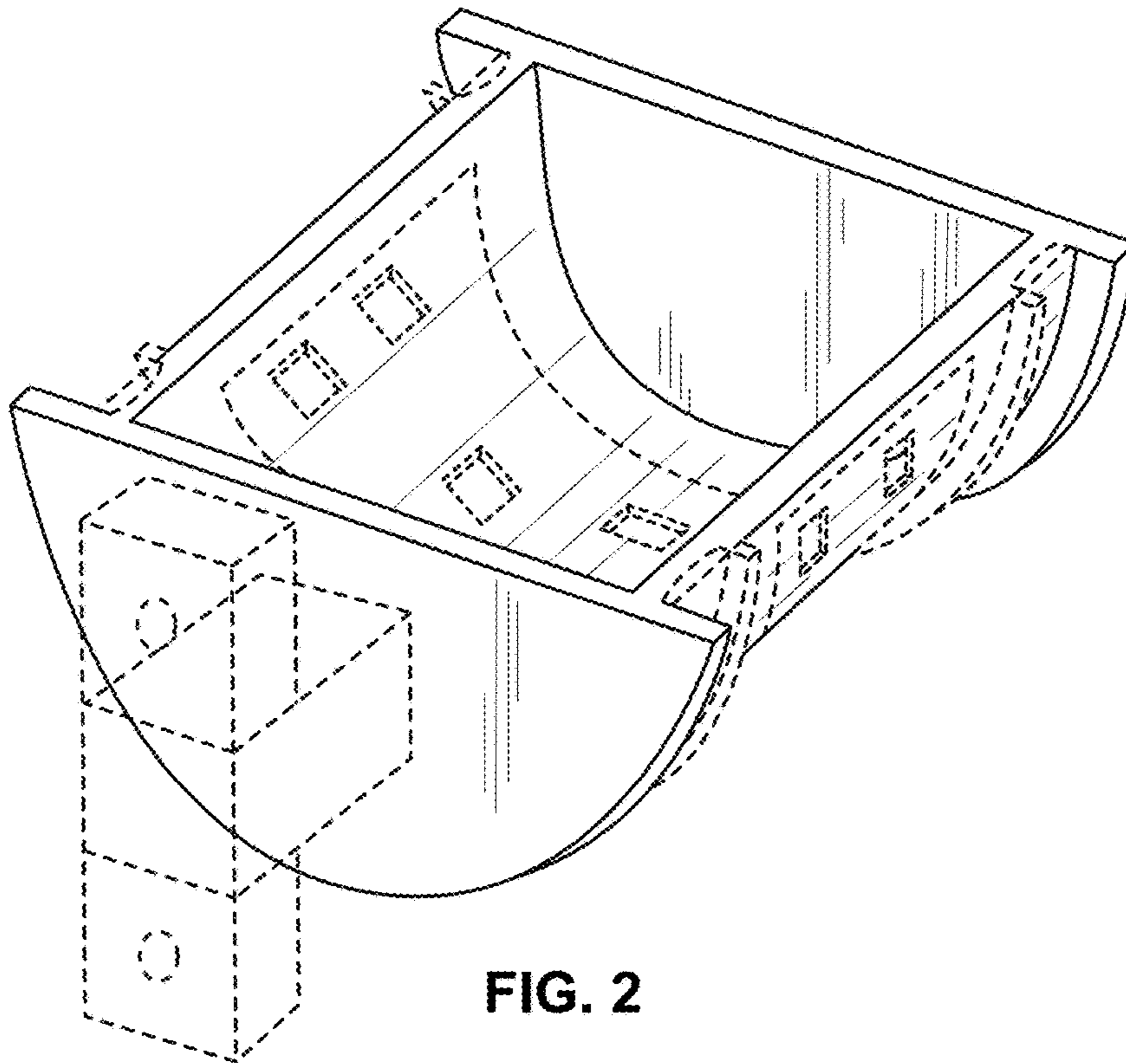


FIG. 2

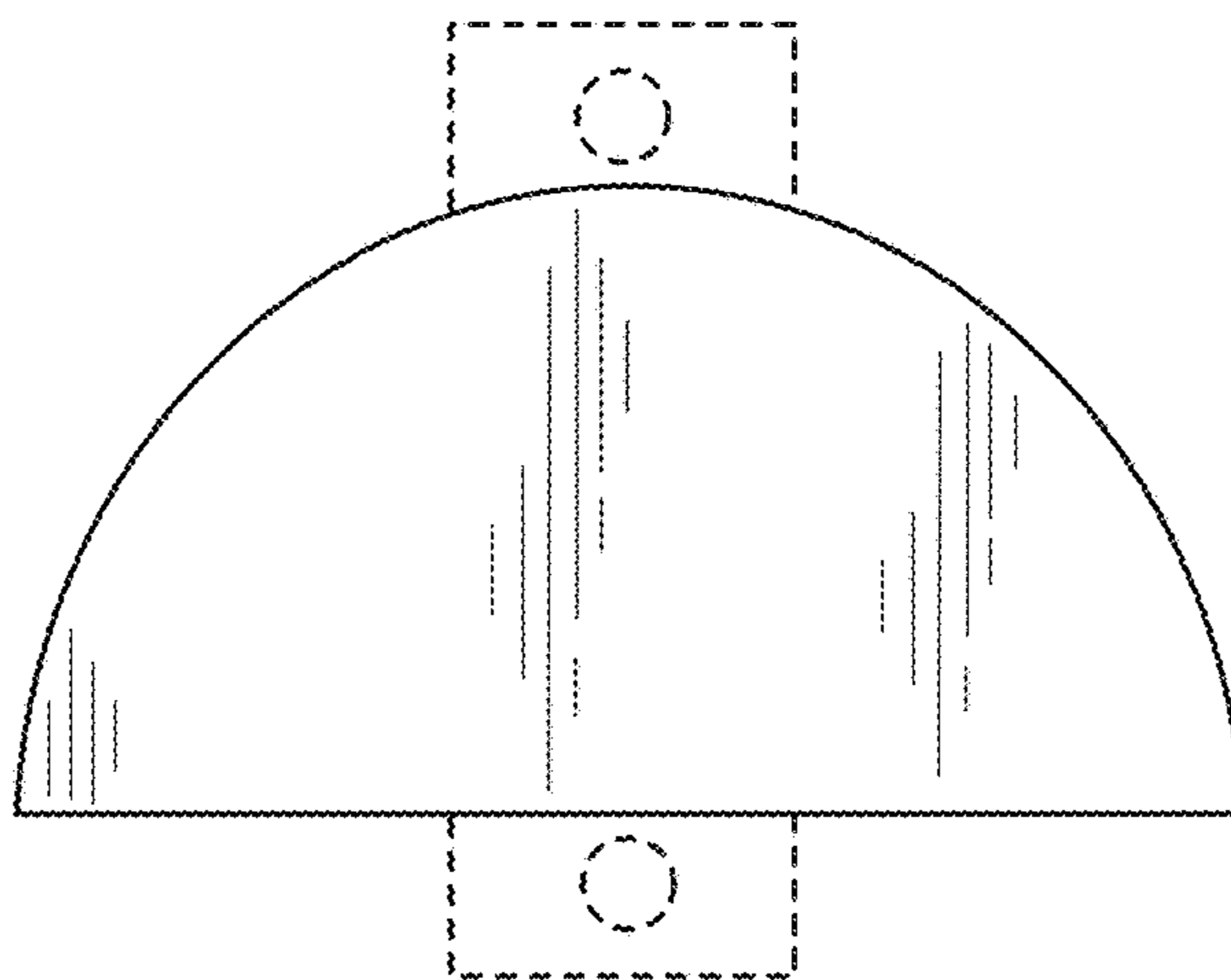


FIG. 3

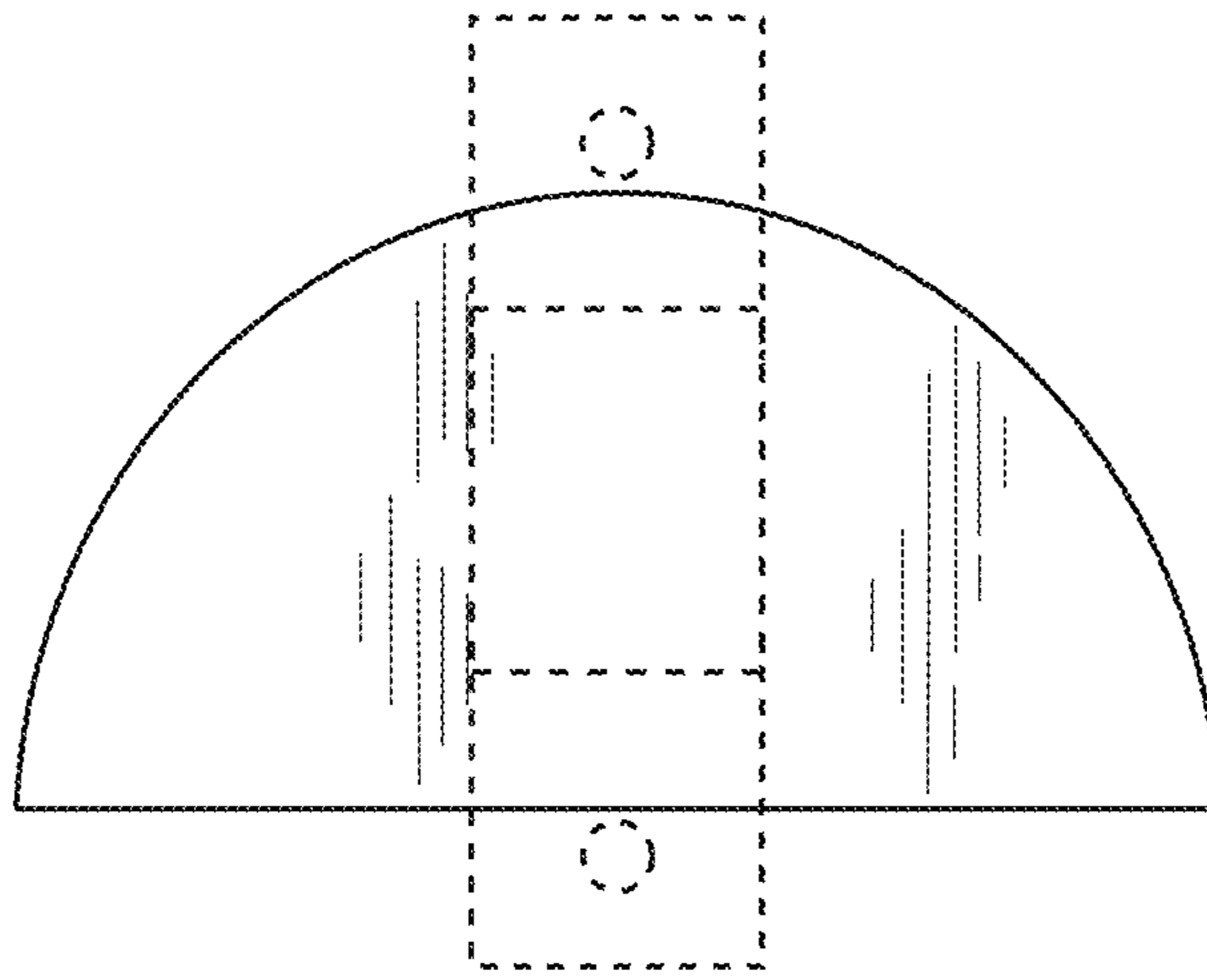


FIG. 4

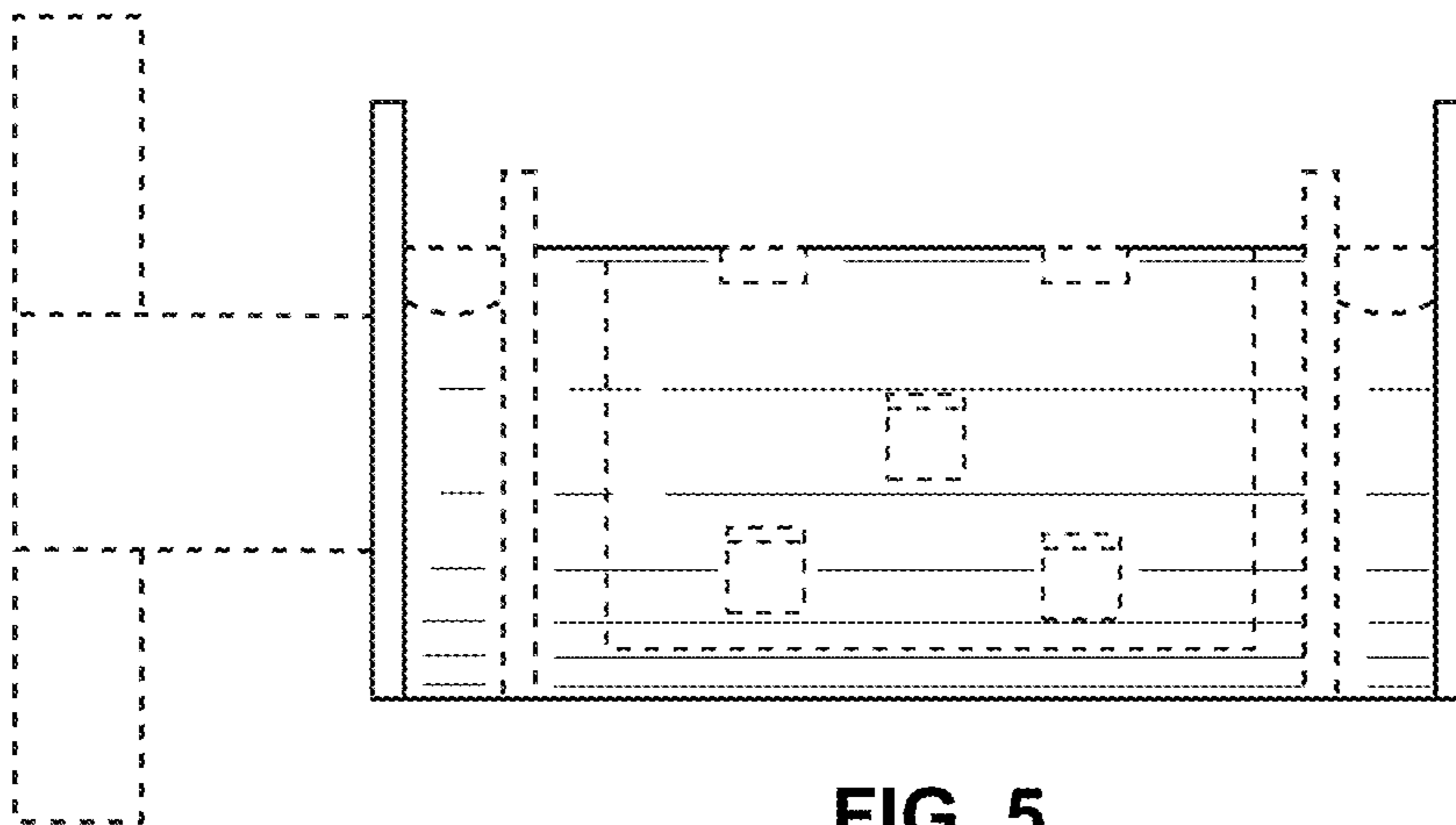


FIG. 5

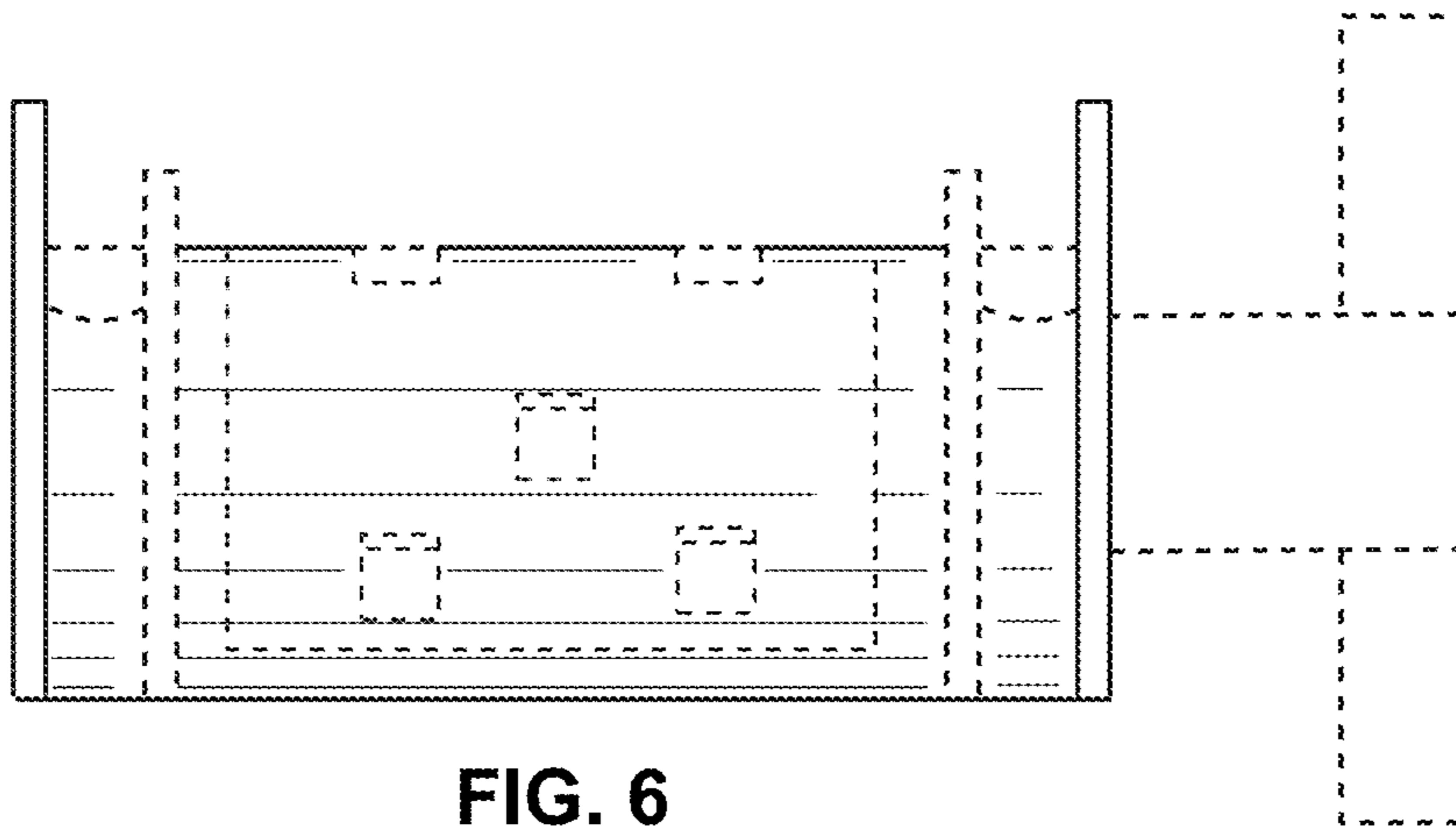


FIG. 6

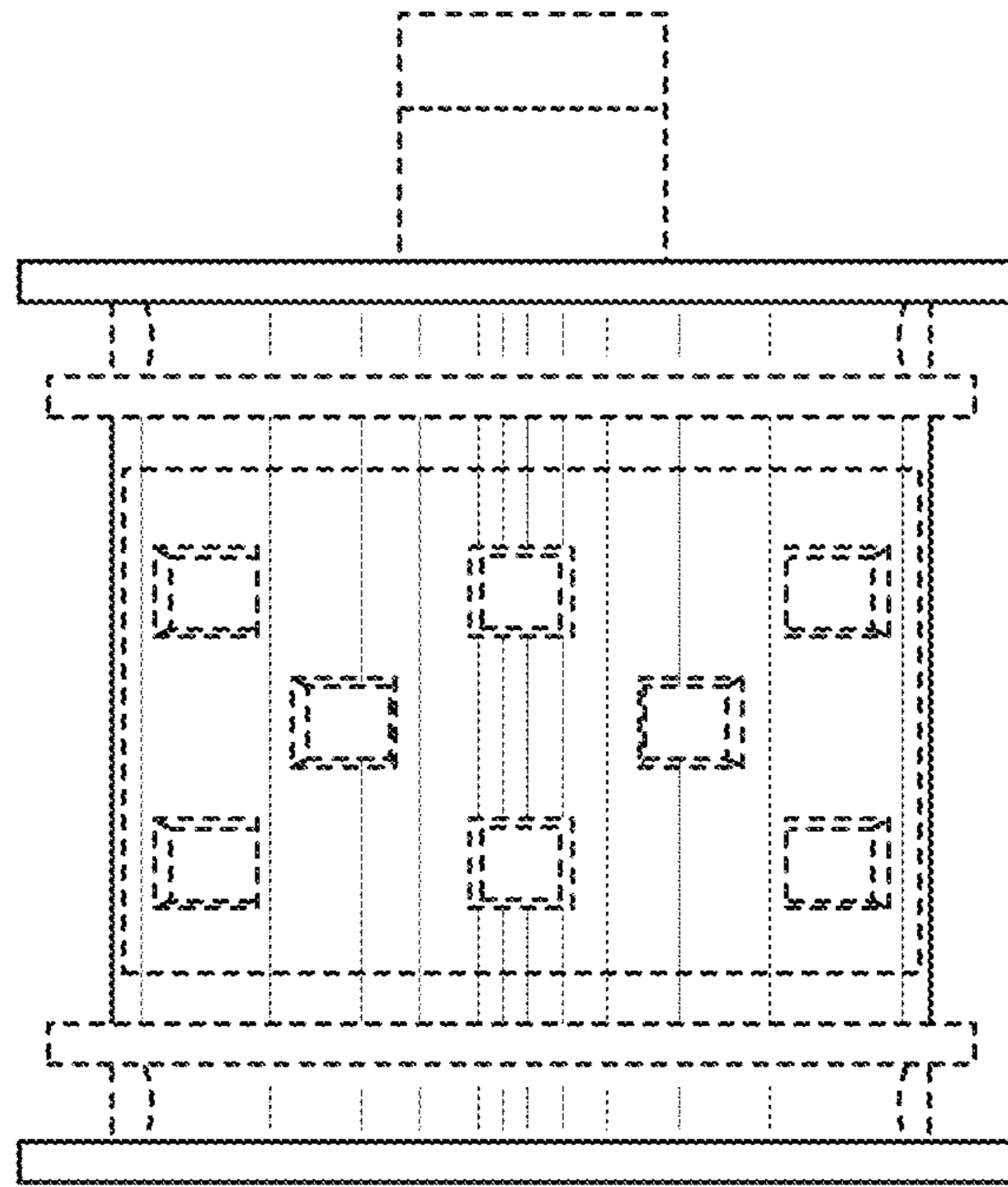


FIG. 7

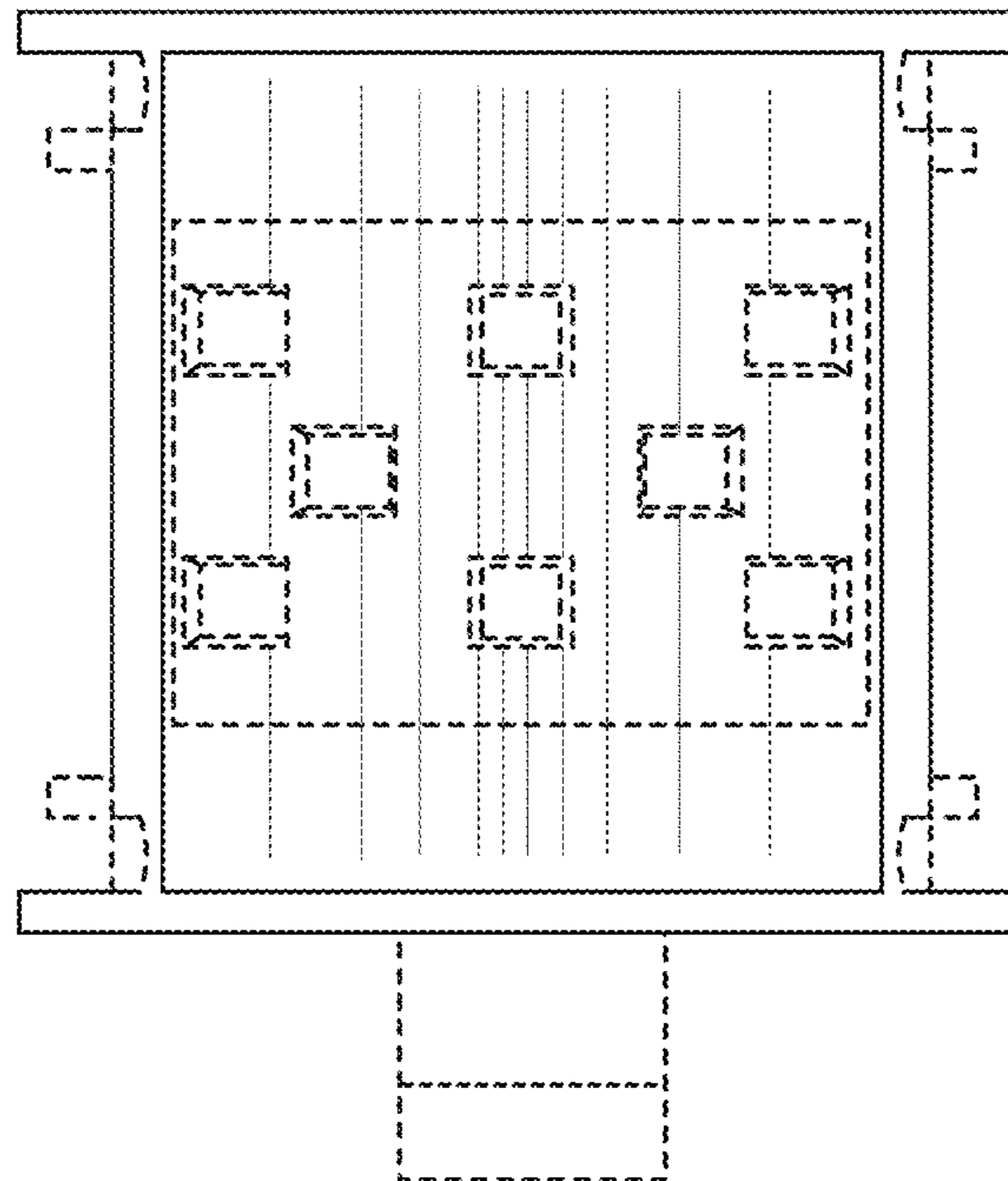


FIG. 8