



US00D799307S

(12) **United States Design Patent**
Labrecque et al.

(10) **Patent No.:** **US D799,307 S**

(45) **Date of Patent:** **** Oct. 10, 2017**

(54) **CART HOLDER**

(71) Applicant: **IPL INC.**, St-Damien (CA)

(72) Inventors: **Jean-Gabriel Labrecque**,
St-Damien-De-Buckland (CA); **Roch**
Nolet, St-Joseph De Beauce (CA)

(73) Assignee: **IPL INC.**, St-Damien (CA)

(**) Term: **15 Years**

(21) Appl. No.: **29/584,284**

(22) Filed: **Nov. 14, 2016**

(51) **LOC (10) Cl.** **08-05**

(52) **U.S. Cl.**
USPC **D8/367**; D8/372

(58) **Field of Classification Search**
USPC D8/367, 354, 349, 394, 372, 398, 382,
D8/356; D3/228; 224/247, 197;
248/220.43, 220.42; D13/156; D34/27
CPC F16L 3/13; F16L 3/26; A47G 23/0225;
A47G 25/06; A47G 1/16; A47F 5/0846;
A47F 5/02; A47F 5/0823; H02G 11/003;
D06F 55/00; E04H 17/10; A45F 5/02;
F16B 45/02

See application file for complete search history.

(56) **References Cited**

U.S. PATENT DOCUMENTS

D300,406 S *	3/1989	Bordian	248/304
D327,213 S *	6/1992	Murphy	D8/367
D328,417 S *	8/1992	Korpijaakko	D6/323
D385,479 S *	10/1997	Hofman	D8/372
6,003,691 A *	12/1999	Owen	A47B 81/02
				211/65
D444,377 S *	7/2001	Harvey	D6/513
D524,008 S *	6/2006	Babkes	D34/27

D547,023 S *	7/2007	Buerchner	D34/27
D587,104 S *	2/2009	McCammon	D6/572
D743,663 S *	11/2015	Hoffheimer	D34/27
D751,372 S *	3/2016	Thompson	D8/372
D779,764 S *	2/2017	Thorsen	D34/27
D781,683 S *	3/2017	Yi	D8/354
D792,674 S *	7/2017	Stauff	D34/27

OTHER PUBLICATIONS

Recycling Pinterest, , 2016, <https://www.pinterest.com/effbeworld/recycling/>.

Orbis, Bin Rail Environmental Recycling & Waste Accessories, 2016, Orbis Corporation; <http://www.orbiscorporation.com/products/environmental-recycling-and-waste/accessories/bin-rail/#.WBt2r8GFpMQ>.

* cited by examiner

Primary Examiner — Cynthia Underwood

(74) *Attorney, Agent, or Firm* — Gwendoline Bruneau

(57) **CLAIM**

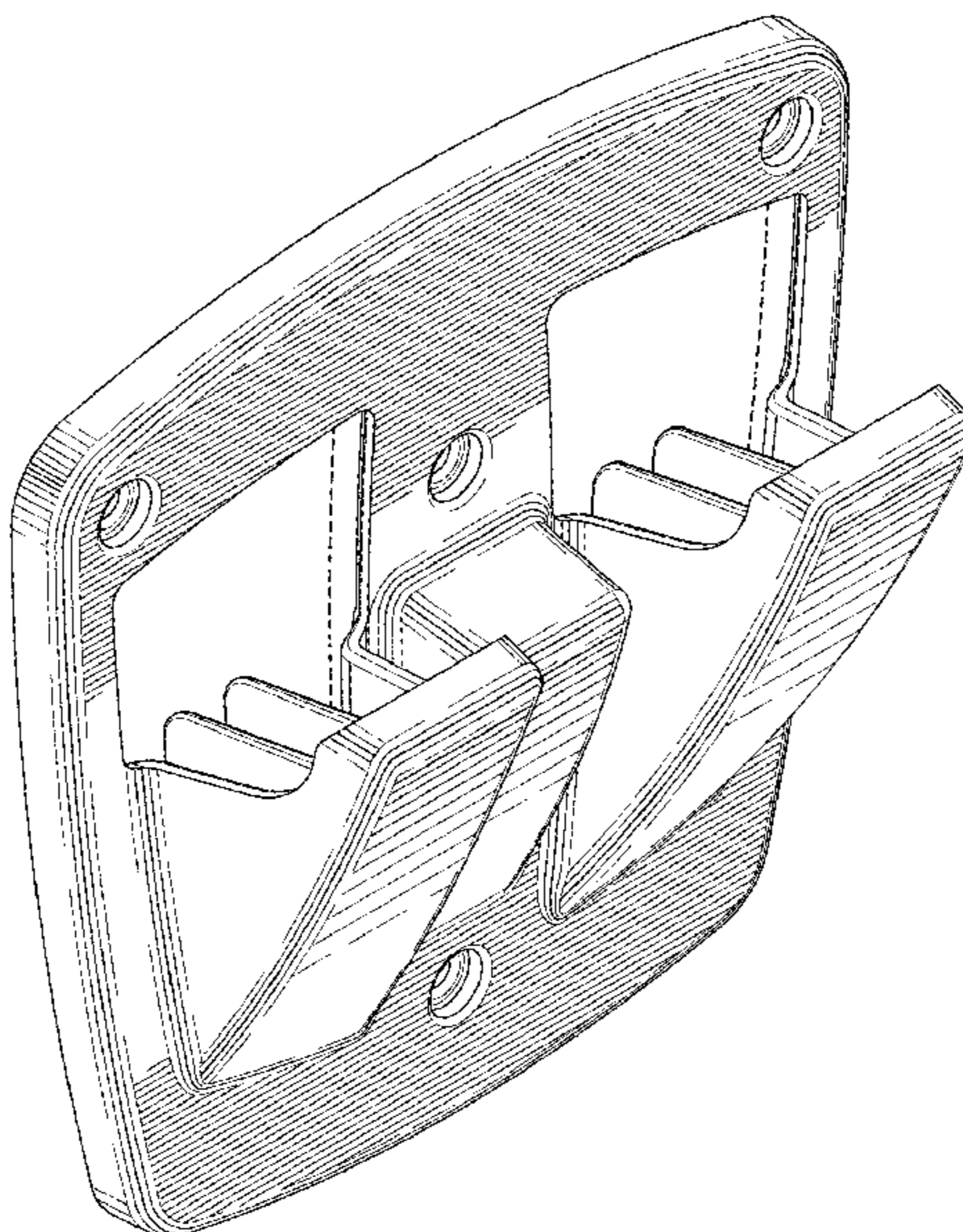
The ornamental design for a cart holder, as shown and described.

DESCRIPTION

FIG. 1 is a perspective view of the cart holder;
FIG. 2 is a front view of the cart holder of FIG. 1;
FIG. 3 is a top view of the cart holder of FIG. 1;
FIG. 4 is a first side view of the cart holder of FIG. 1;
FIG. 5 is a second side view of the cart holder of FIG. 1;
FIG. 6 is a bottom view of the cart holder of FIG. 1; and,
FIG. 7 is a rear side view of the cart holder of FIG. 1.

The design consists of the features of shape, pattern, configuration and ornamentation of the cart holder as shown in solid lines. The broken lines represent environment that form no part of the claim.

1 Claim, 4 Drawing Sheets



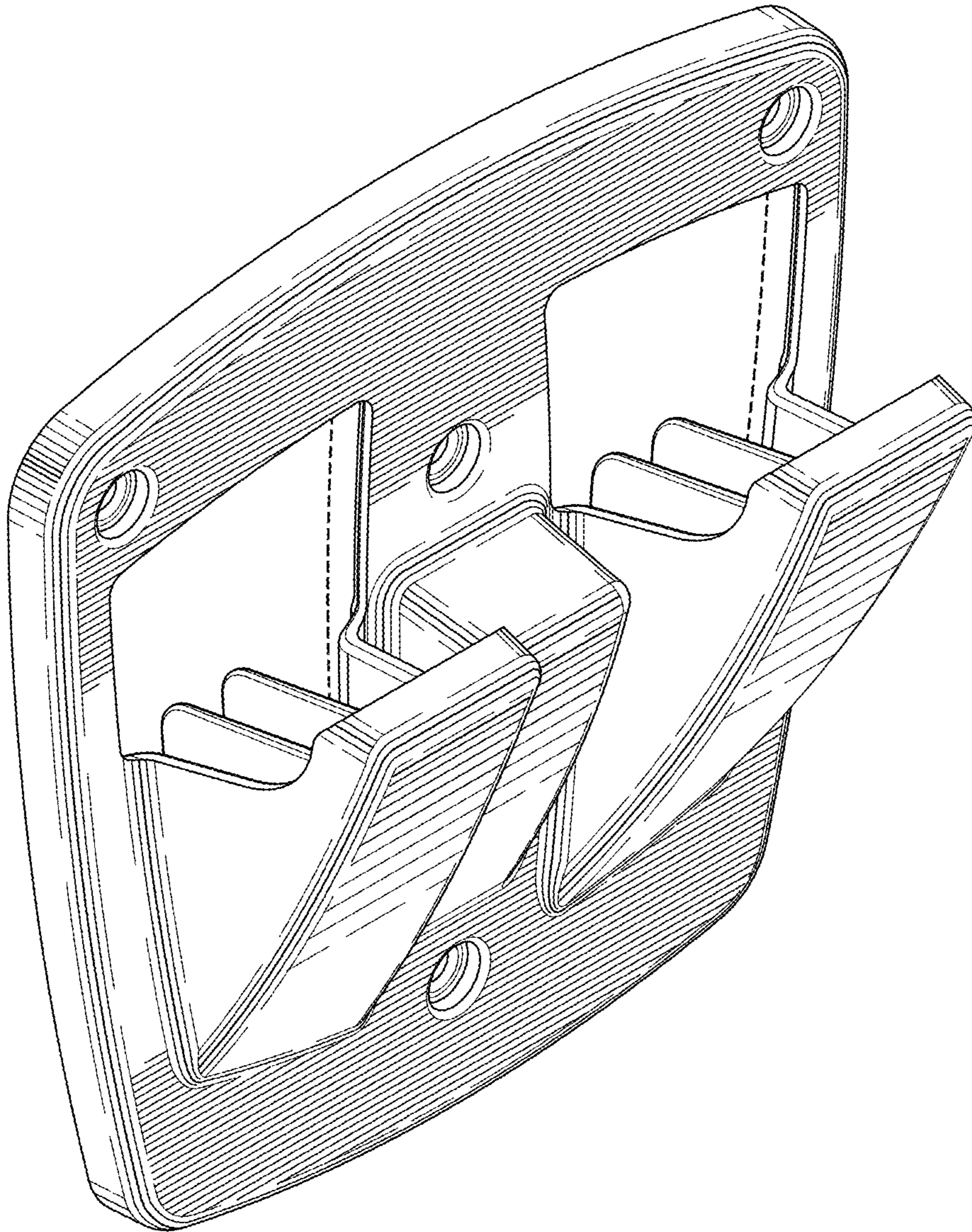


FIG. 1

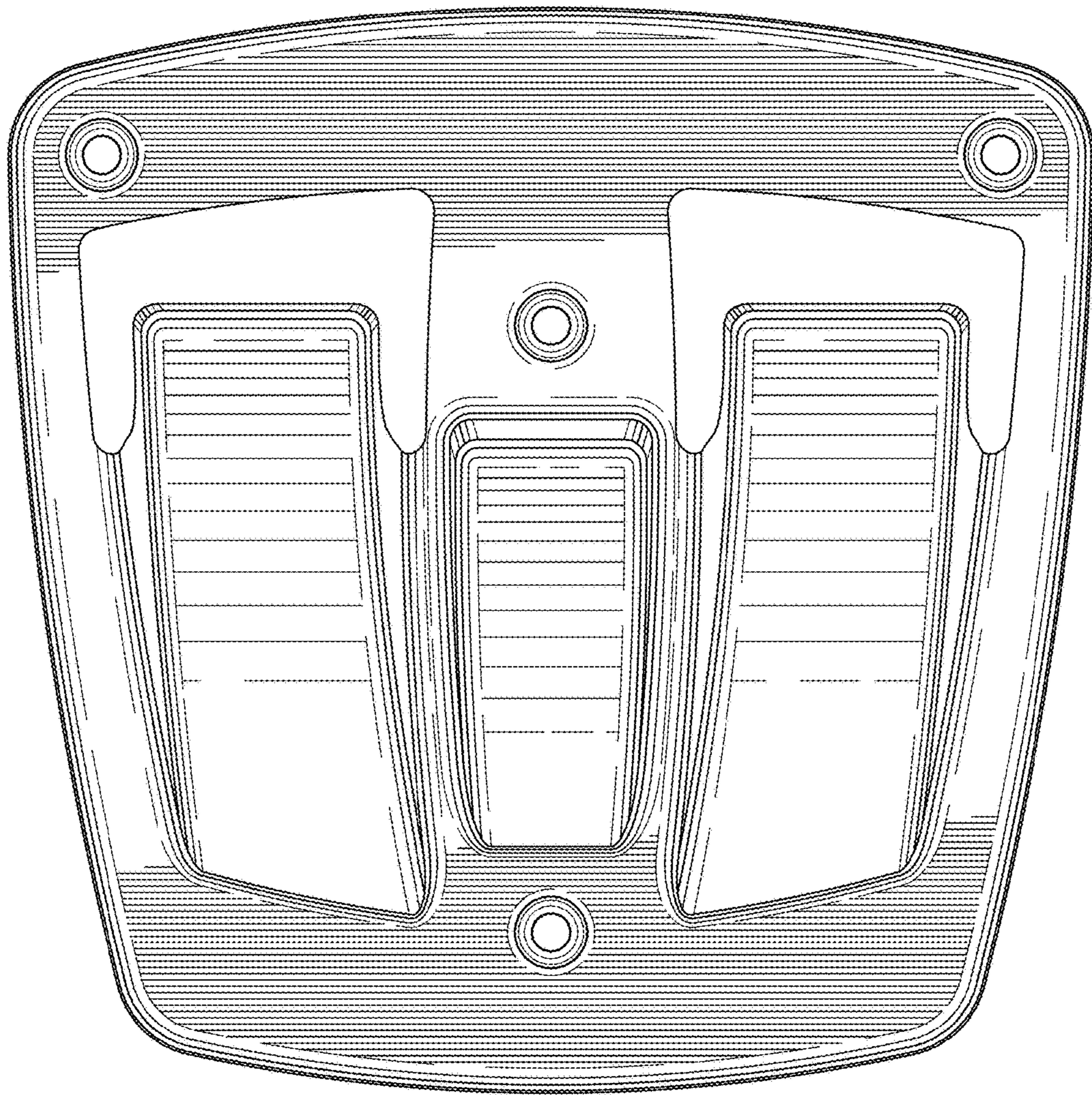


FIG. 2

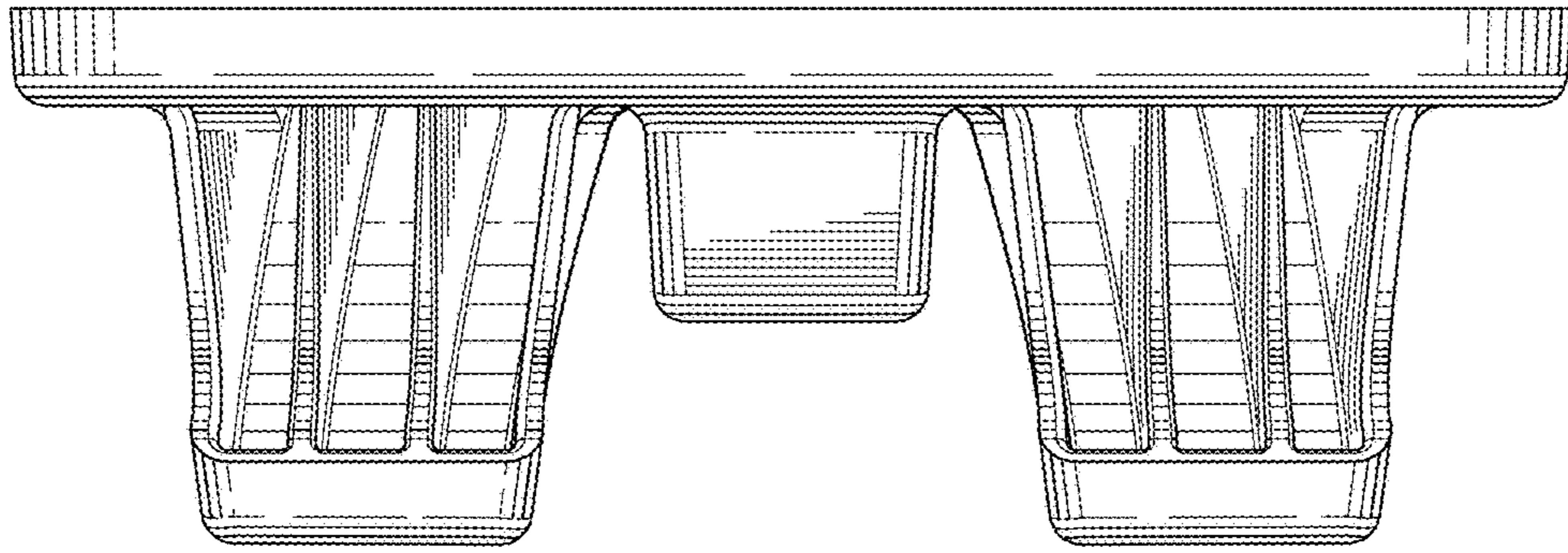


FIG. 3

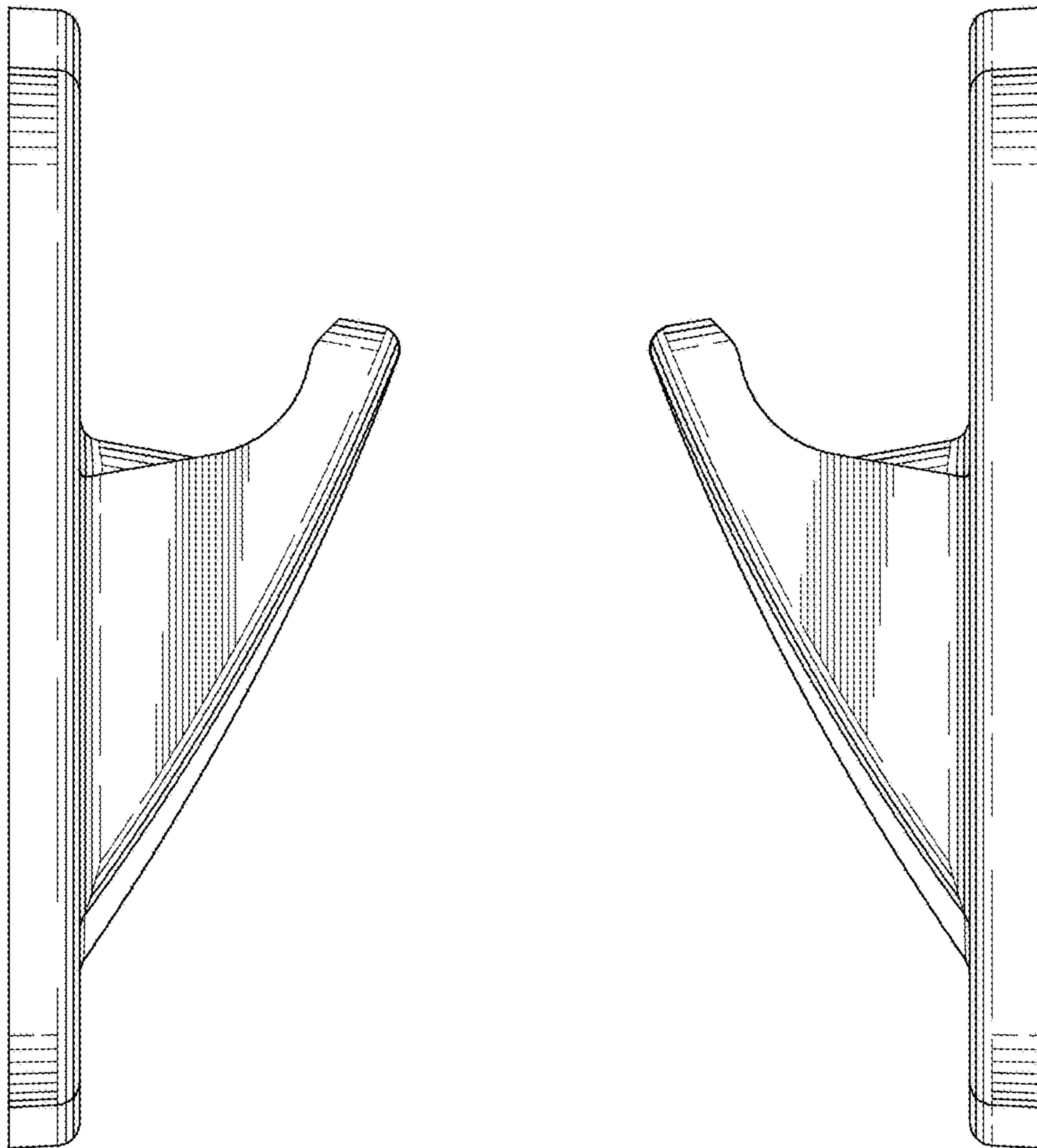


FIG. 4

FIG. 5

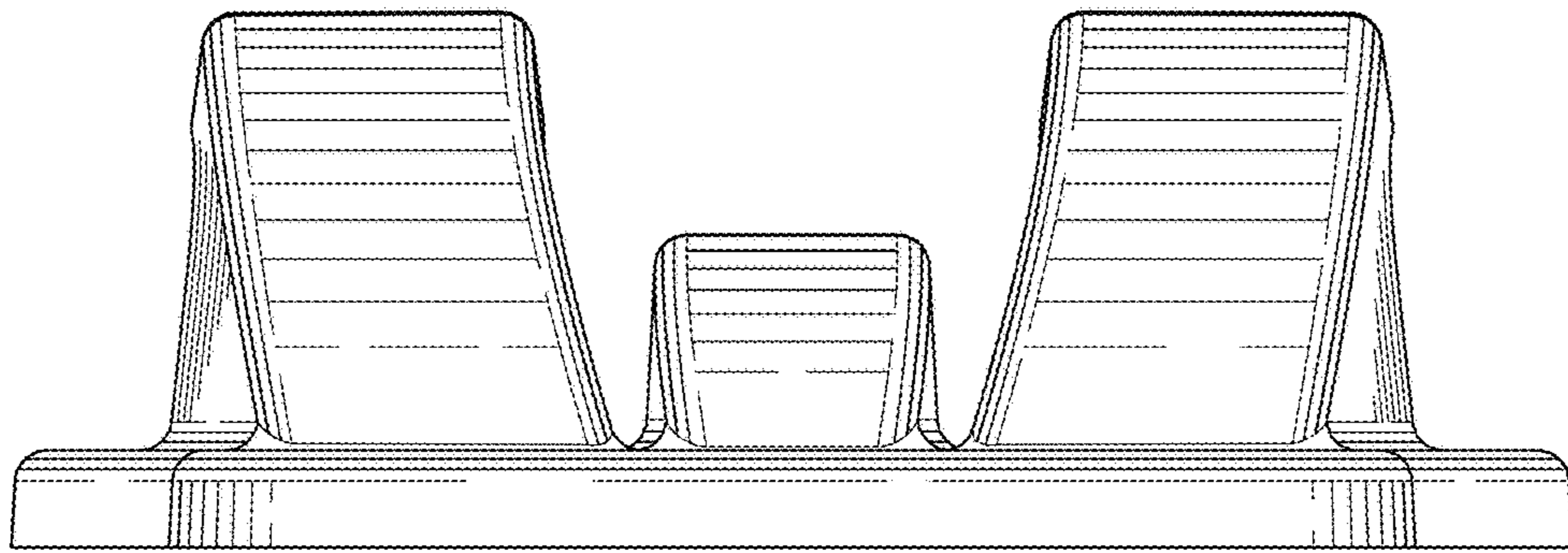


FIG. 6

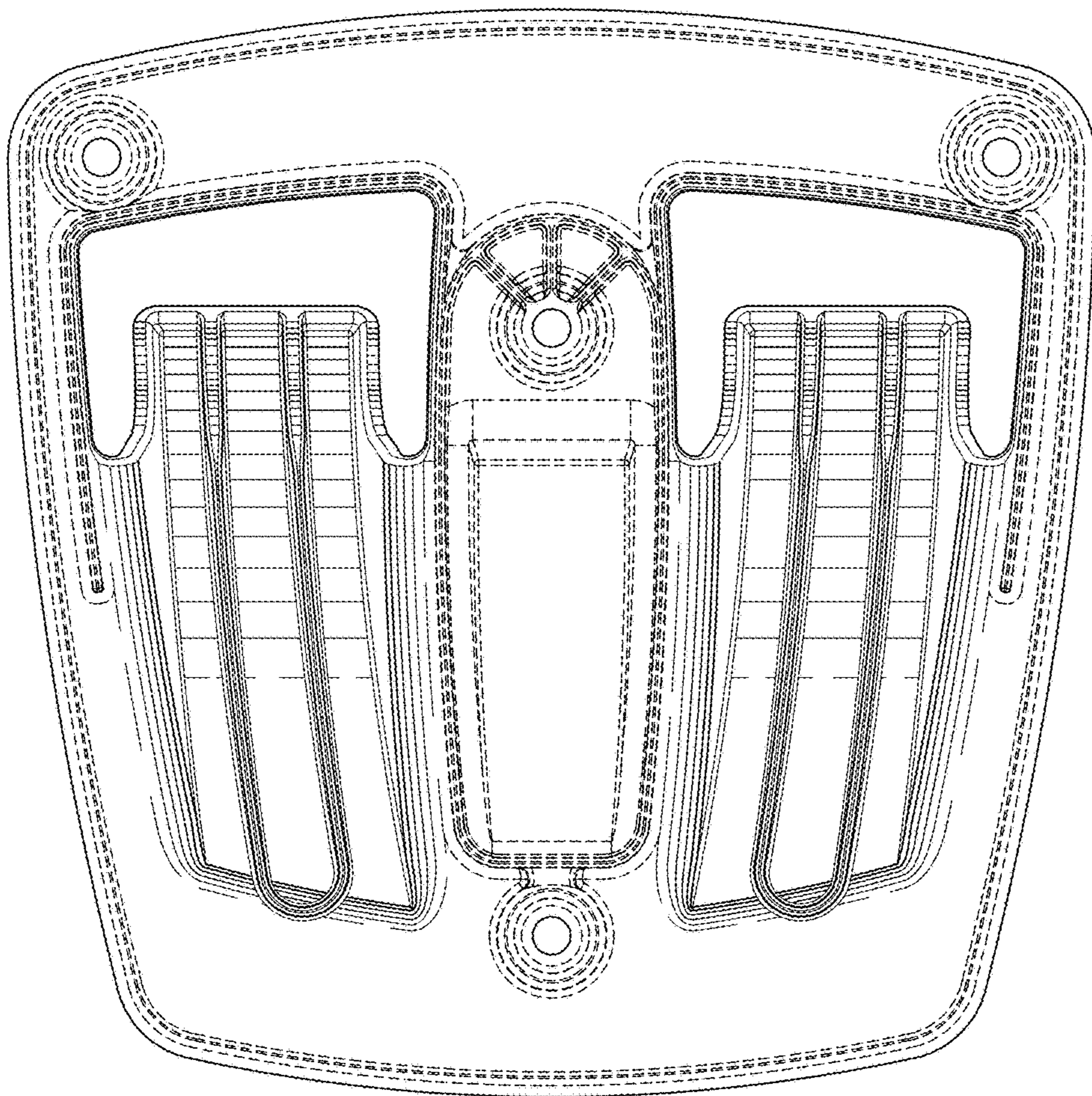


FIG. 7