



US00D799306S

(12) **United States Design Patent**  
**Lee et al.**

(10) **Patent No.:** **US D799,306 S**  
(45) **Date of Patent:** **\*\* Oct. 10, 2017**

(54) **WALL-MOUNT BRACKET**  
(71) Applicant: **Williams-Sonoma, Inc.**, San Francisco, CA (US)  
(72) Inventors: **Rochelle Lee**, Oakland, CA (US); **Laurent Gerin**, San Francisco, CA (US)  
(73) Assignee: **Williams-Sonoma, Inc.**, San Francisco, CA (US)  
(\*\*) Term: **15 Years**

D742,970 S \* 11/2015 White ..... D20/43  
D749,404 S \* 2/2016 White ..... D8/380  
D749,405 S \* 2/2016 White ..... D8/380  
D777,467 S \* 1/2017 White ..... D6/512  
2016/0275829 A1\* 9/2016 White ..... G09F 7/18

\* cited by examiner

*Primary Examiner* — Lakiya Rogers  
*Assistant Examiner* — Harold E Blackwell, II  
(74) *Attorney, Agent, or Firm* — Cook Alex Ltd.; R. Blake Johnston

(21) Appl. No.: **29/544,810**  
(22) Filed: **Nov. 6, 2015**  
(51) **LOC (10) Cl.** ..... **08-05**  
(52) **U.S. Cl.**  
USPC ..... **D8/354**  
(58) **Field of Classification Search**  
USPC ..... D14/238, 251, 447; D20/10, 42, 43, 44, D20/99; 52/649.1, 649.2, 296; D8/354, D8/380  
CPC .... G09F 7/18; G09F 2007/186; G09F 15/025; G09F 2007/1852  
See application file for complete search history.

(57) **CLAIM**

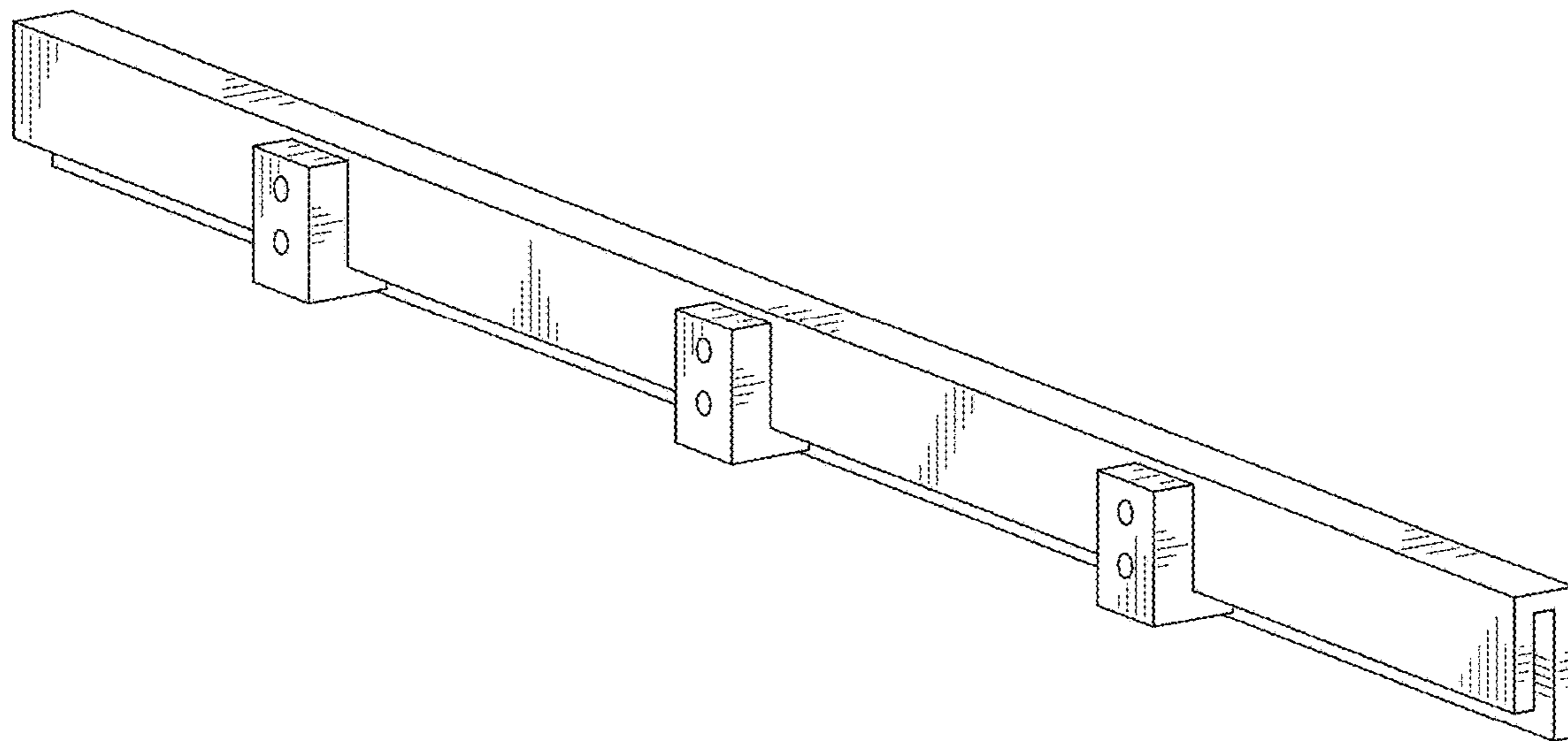
The ornamental design for a wall-mount bracket, as shown and described.

**DESCRIPTION**

FIG. 1 is a perspective view of the wall-mount bracket; FIG. 2 is a rear elevational view of the wall-mount bracket; FIG. 3 is a front elevational view of the wall-mount bracket; FIG. 4 is a right side elevational view of the wall-mount bracket, the opposite side of which is a mirror image; FIG. 5 is a top plan view of the wall-mount bracket; and, FIG. 6 is a bottom plan view of the wall-mount bracket.

(56) **References Cited**  
U.S. PATENT DOCUMENTS  
6,691,963 B1 \* 2/2004 Padiak ..... G09F 7/18  
248/220.22

**1 Claim, 3 Drawing Sheets**



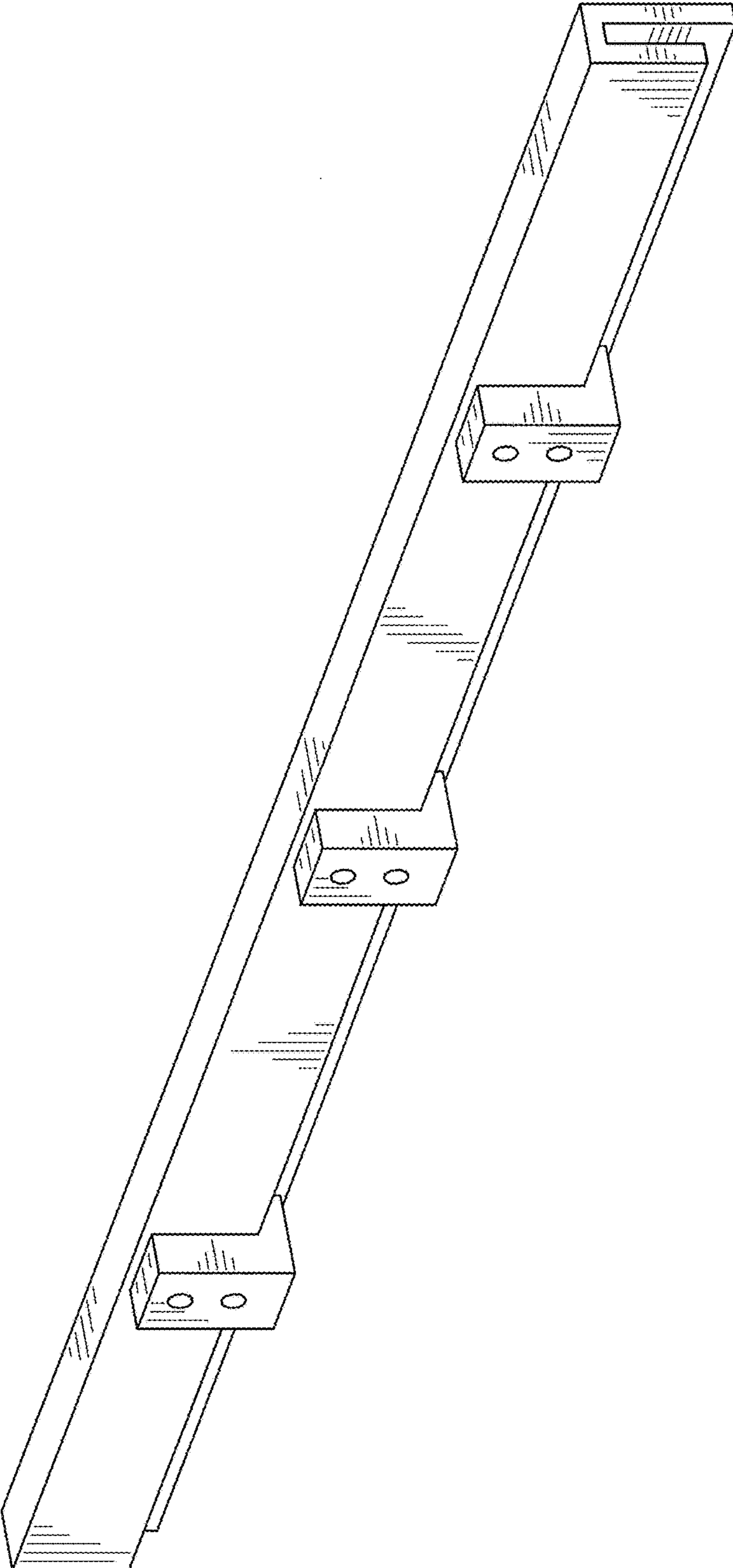


FIG. 1

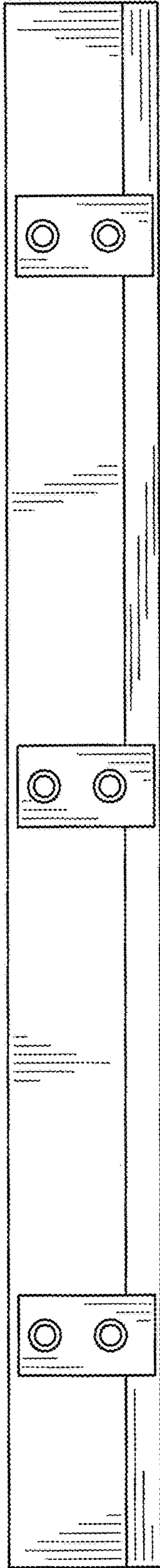


FIG. 2

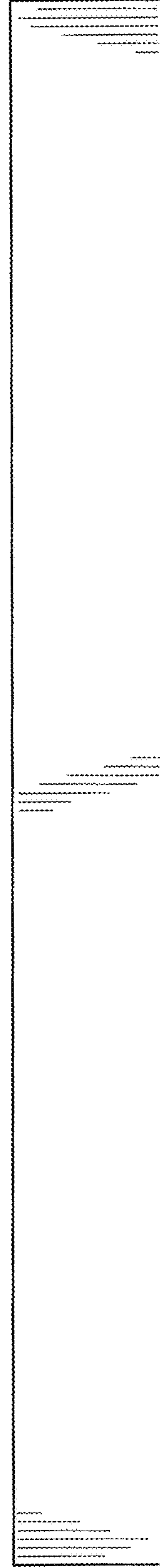


FIG. 3

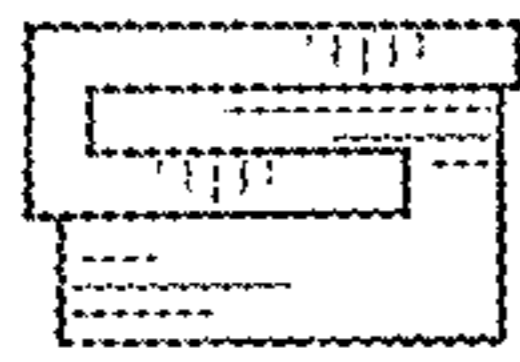


FIG. 4



FIG. 5

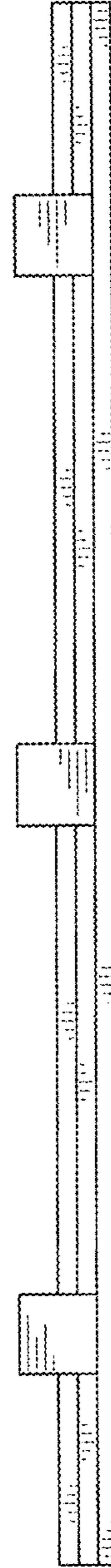


FIG. 6