



US00D799305S

(12) **United States Design Patent** (10) **Patent No.:** **US D799,305 S**
Mort (45) **Date of Patent:** **** Oct. 10, 2017**

(54) **SIDING SPLICE JOINT**

(56) **References Cited**

- (71) Applicant: **Mark Steven Mort**, Kalamazoo, MI (US)
- (72) Inventor: **Mark Steven Mort**, Kalamazoo, MI (US)
- (**) Term: **15 Years**
- (21) Appl. No.: **29/573,543**
- (22) Filed: **Aug. 8, 2016**

U.S. PATENT DOCUMENTS

D137,252 S	2/1944	Schlafman
2,760,674 A	8/1956	Karp
3,320,709 A	5/1967	Schroter et al.
D228,488 S	10/1973	Gates
D339,875 S	9/1993	Schutz et al.
D341,667 S	11/1993	Schultz et al.
D522,350 S	6/2006	Taylor et al.
D522,351 S	6/2006	Taylor et al.
D556,015 S	11/2007	Muchnik
D563,771 S	3/2008	Prechtel et al.
D609,553 S	2/2010	Koizumi
D643,132 S	8/2011	MacKenzie
D747,954 S	1/2016	Maeda

Related U.S. Application Data

- (62) Division of application No. 29/544,044, filed on Oct. 30, 2015, now Pat. No. Des. 763,469.
- (51) **LOC (10) Cl.** **08-08**
- (52) **U.S. Cl.**
USPC **D8/349; D8/354; D25/139**
- (58) **Field of Classification Search**
USPC D25/138-145, 149-153, 156-159, D25/162-163, 199, 58, 110-111; D8/21, D8/24, 25, 29, 33, 40, 349, 354, 355, D8/382, 373, 374
CPC E04D 1/00; E04D 1/12; E04D 1/14; E04D 1/16; E04D 1/18; E04D 1/20; E04D 1/24; E04D 1/26; E04D 1/28; E04D 1/34; E04D 1/265; E04D 2001/3461; E04F 13/08; E04F 13/0862; E04F 13/0864; E04F 13/0873; E04F 13/0894; E04F 13/24; E04F 13/076; E04F 13/147; E04F 13/185; E04F 19/06; E04F 19/02; E04F 19/04; E04B 2/76; E04B 2/761; E04B 2/762; E04B 2/702; E04B 2/705

See application file for complete search history.

Primary Examiner — Jeffrey D Asch

Assistant Examiner — Rebekah A Caruso

(74) *Attorney, Agent, or Firm* — Warner Norcross & Judd LLP

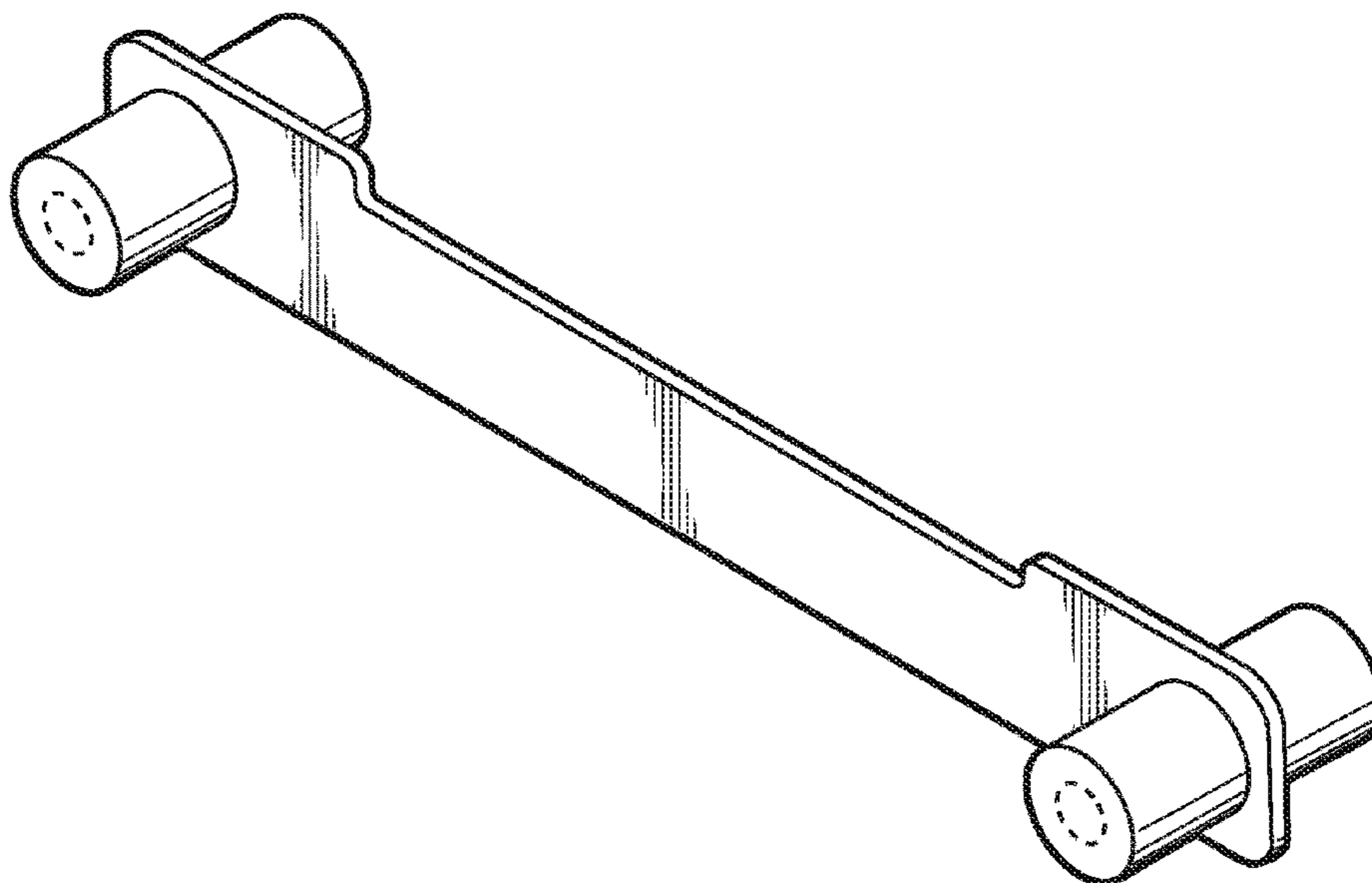
(57) **CLAIM**

The ornamental design for a siding splice joint, as shown and described.

DESCRIPTION

FIG. 1 is a perspective view of a siding splice joint; FIG. 2 is a front elevation view thereof, which is a mirror image to the rear elevation view; FIG. 3 is a top plan view thereof; FIG. 4 is a bottom plan view thereof; and, FIG. 5 is a left side elevation view thereof, which is a mirror image of the right side elevation view. The broken lines shown in the figures that are immediately adjacent to the shaded areas and define unshaded regions represent the bounds of the claim. The broken lines form no part of the claimed design.

1 Claim, 2 Drawing Sheets



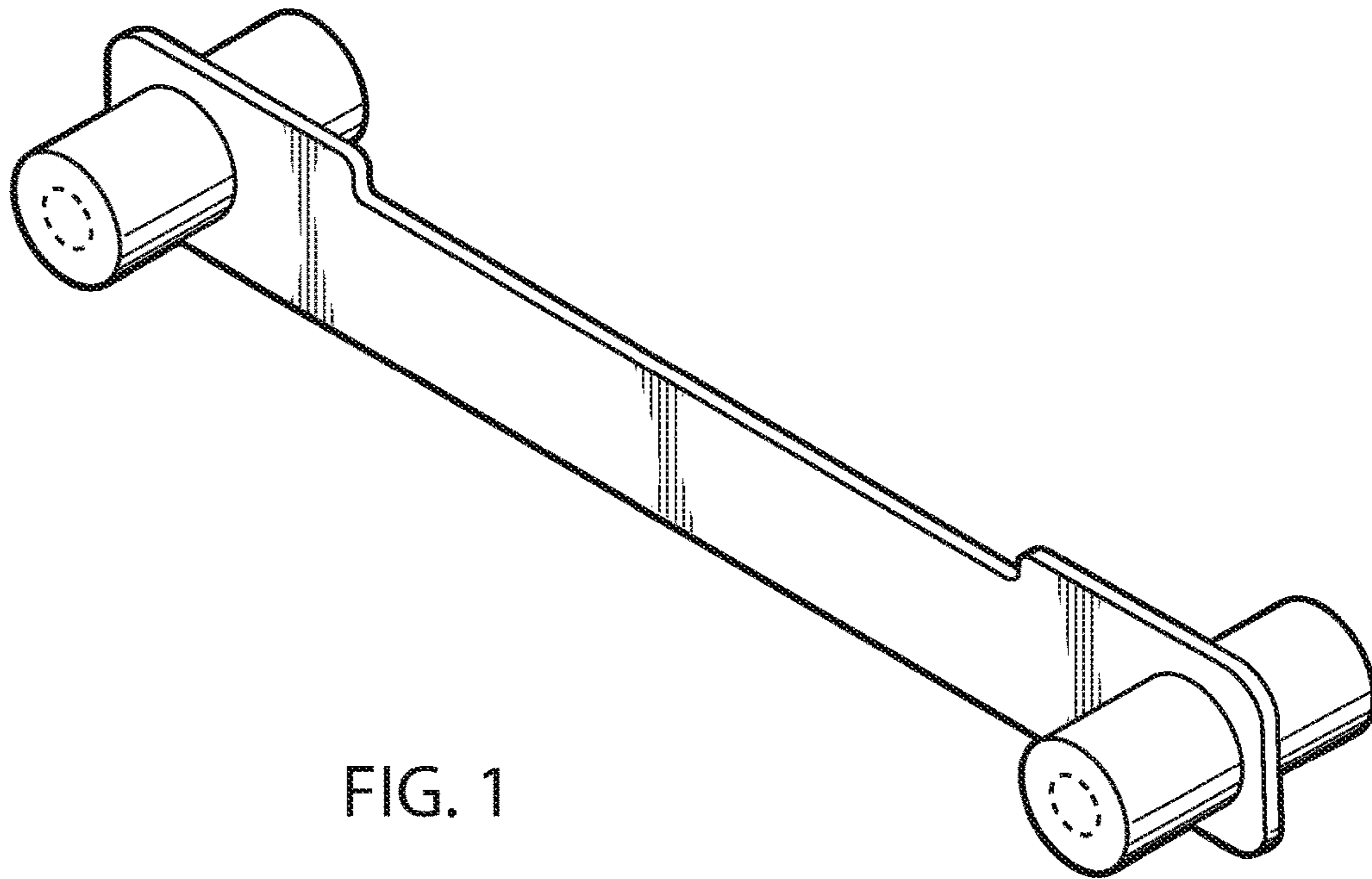


FIG. 1

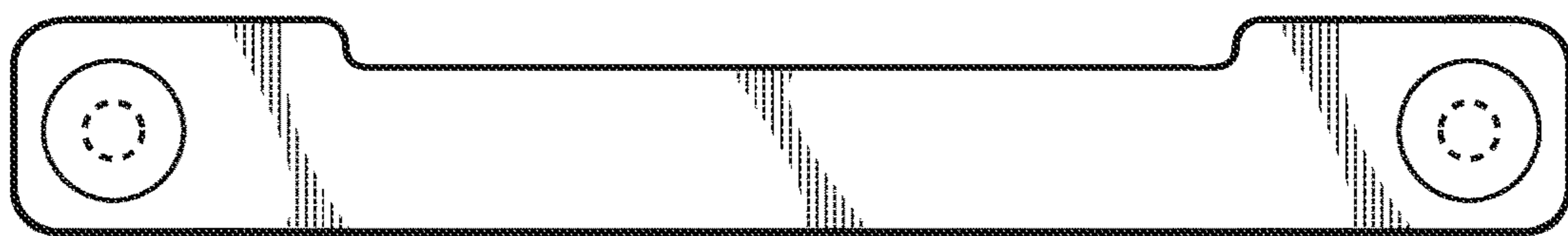


FIG. 2

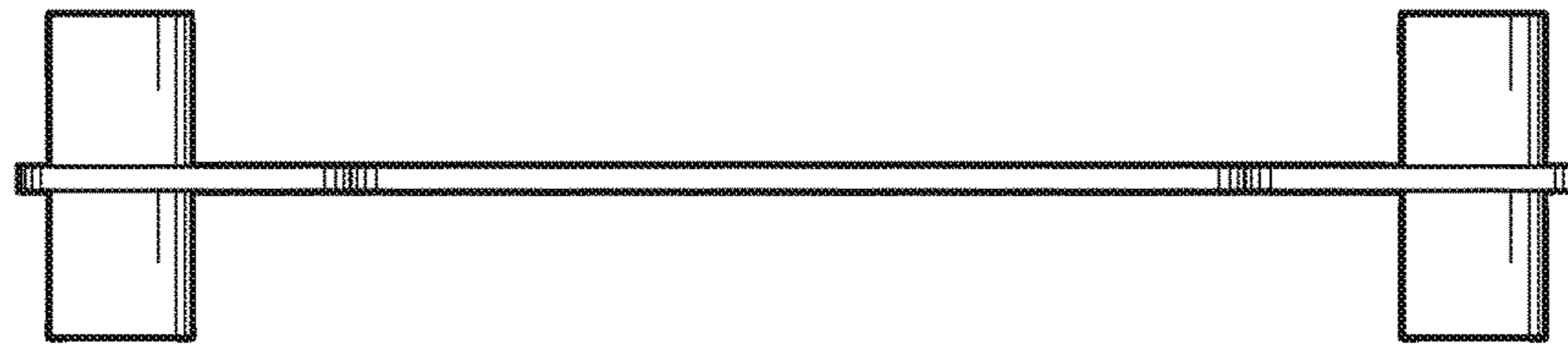


FIG. 3

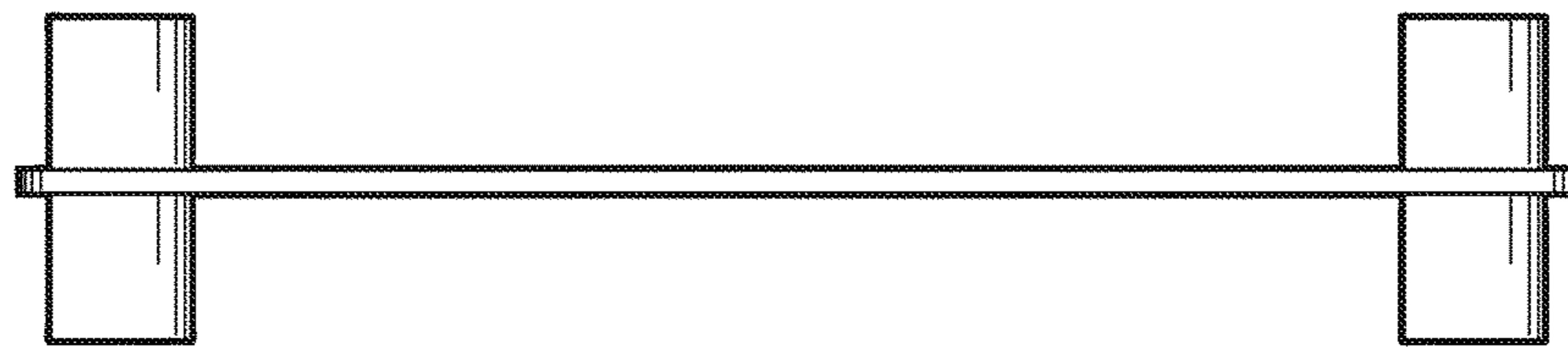


FIG. 4

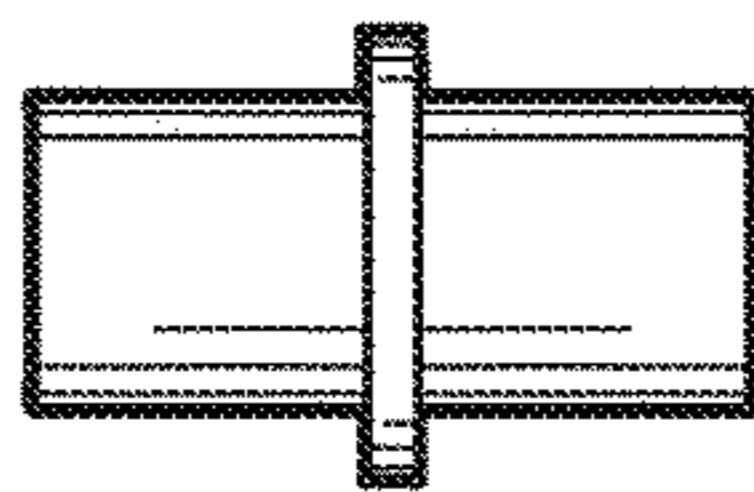


FIG. 5