



US00D799303S

(12) **United States Design Patent** (10) **Patent No.:** **US D799,303 S**
Boeltl (45) **Date of Patent:** **** Oct. 10, 2017**

(54) **GRAB BAR**

(71) Applicant: **Acorn Engineering Company**, City of Industry, CA (US)

(72) Inventor: **Darryl Boeltl**, Whittier, CA (US)

(73) Assignee: **Acorn Engineering Company**, City of Industry, CA (US)

(**) Term: **15 Years**

(21) Appl. No.: **29/505,992**

(22) Filed: **May 11, 2016**

(51) **LOC (10) Cl.** **08-06**

(52) **U.S. Cl.**
 USPC **D8/315**

(58) **Field of Classification Search**
 USPC D23/249–254, 280.2; 16/110.1, 412, 413,
 16/415, 419, 424, 425; D8/300, 315–320,
 D8/DIG. 1
 CPC A47K 17/022; Y10T 16/498
 See application file for complete search history.

(56) **References Cited**

U.S. PATENT DOCUMENTS

D51,196 S * 8/1917 Baker D6/524
 5,577,275 A * 11/1996 Guenther A47K 3/003
 211/105.1
 D483,462 S * 12/2003 Teskey D23/373
 7,191,493 B2 * 3/2007 Vanderpool B60N 3/026
 16/412
 D559,653 S * 1/2008 Reichling D8/315
 7,373,694 B1 * 5/2008 Kopp E05B 1/0015
 16/412

7,774,902 B2 * 8/2010 Whyzel A47K 17/022
 16/436
 7,861,463 B1 * 1/2011 Nottage E05B 1/0015
 16/429
 8,646,151 B2 * 2/2014 Kopp E04F 11/1802
 16/110.1

* cited by examiner

Primary Examiner — Lakiya Rogers
Assistant Examiner — Harold E Blackwell, II

(74) *Attorney, Agent, or Firm* — Eric J. Sosenko;
 Jonathan P. O'Brien; Honigman Miller Schwartz and
 Cohn LLP

(57) **CLAIM**

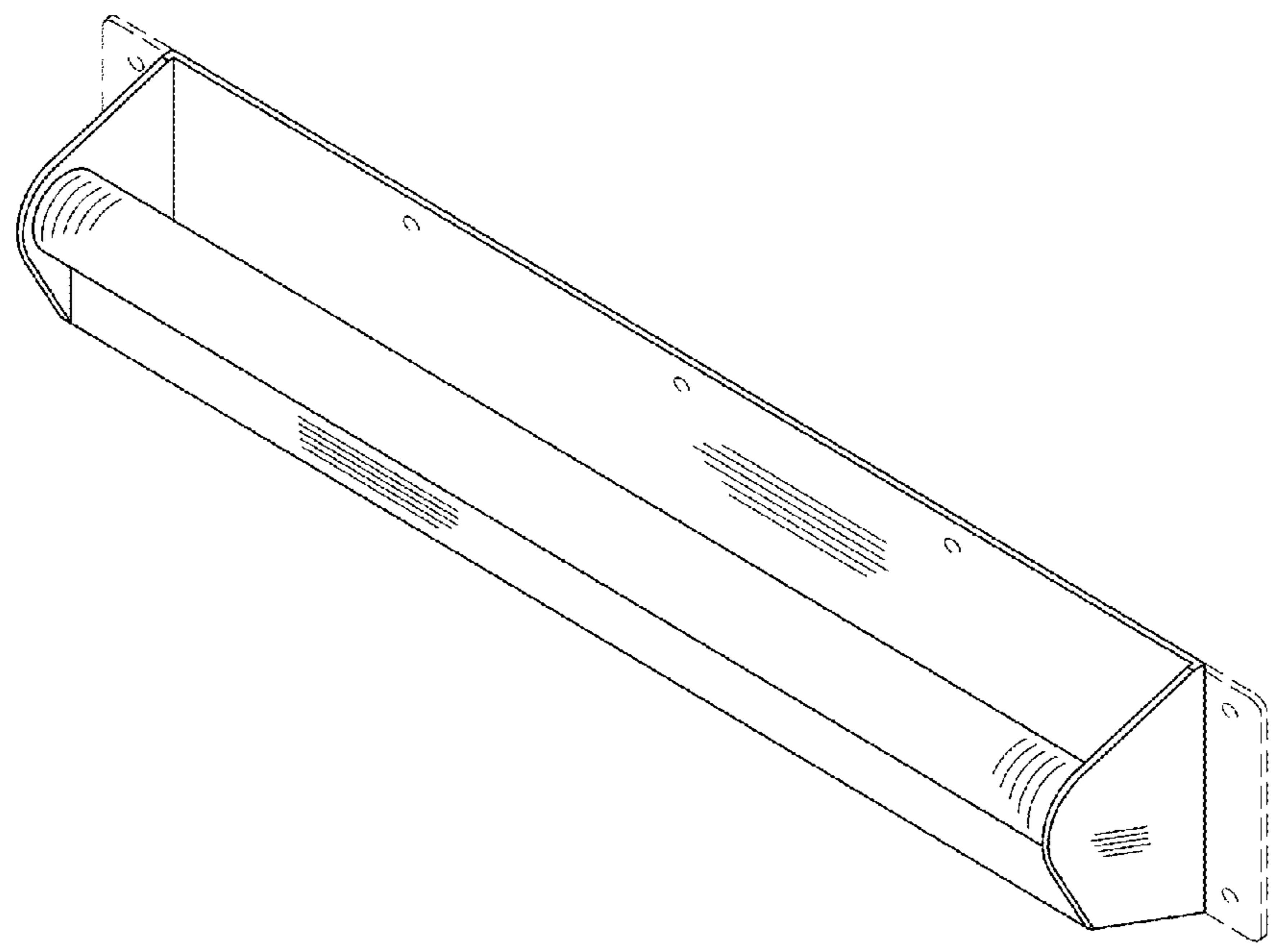
The ornamental design for a grab bar, as shown and described.

DESCRIPTION

FIG. 1 is a perspective view of a grab bar showing my new design;
 FIG. 2 is a front elevation view thereof;
 FIG. 3 is a top plan view thereof;
 FIG. 4 is a perspective view from the bottom thereof;
 FIG. 5 is a bottom plan view thereof;
 FIG. 6 is a cross sectional view of FIG. 2 taken at line 6-6 thereof; and,
 FIG. 7 is a right side elevation view thereof; the left side being a mirror image.

The back side of the grab bar has no decorative features and forms no part of the claimed design. Fastener holes and attachment tabs are shown in broken lines and form no part of the claimed design.

1 Claim, 3 Drawing Sheets



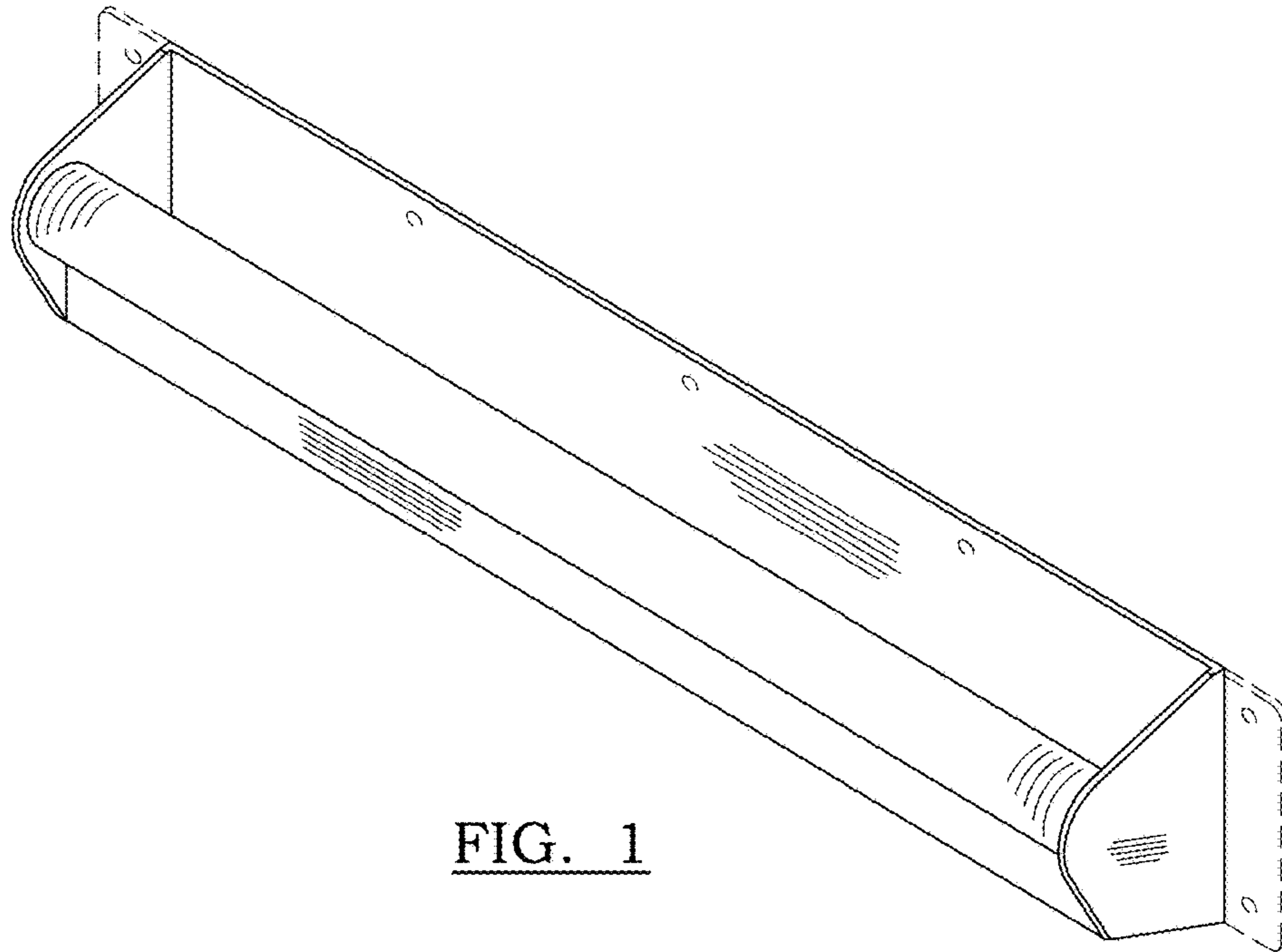


FIG. 1

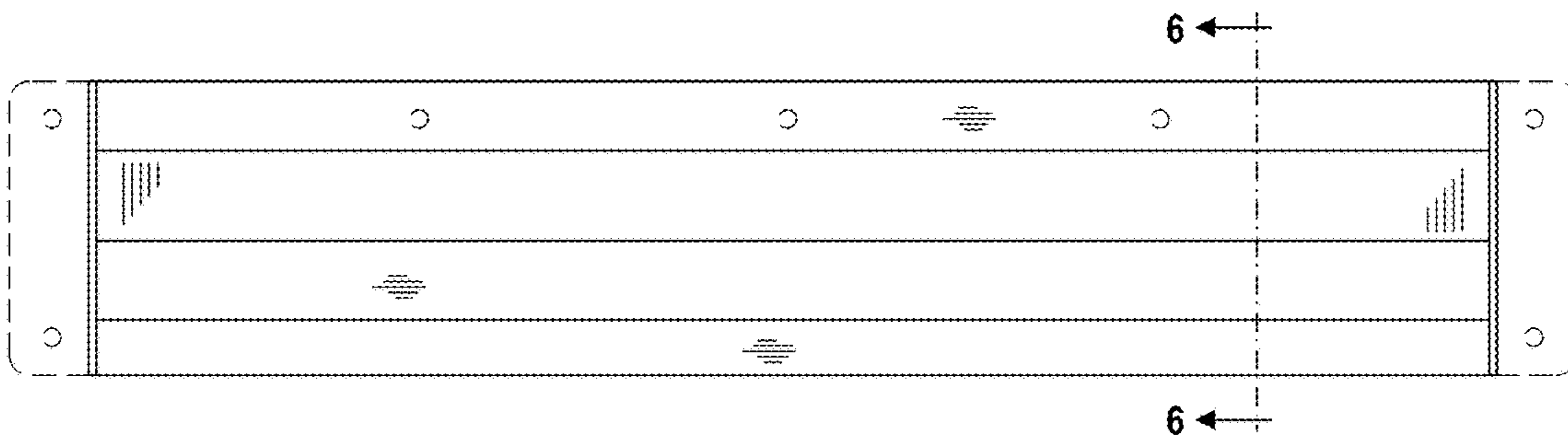


FIG. 2

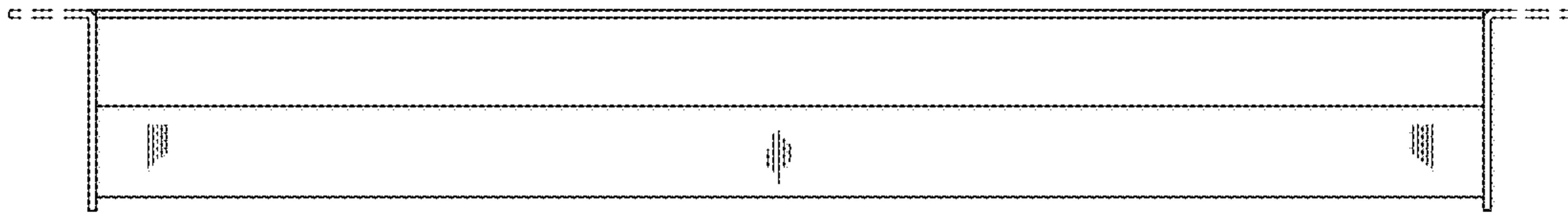


FIG. 3

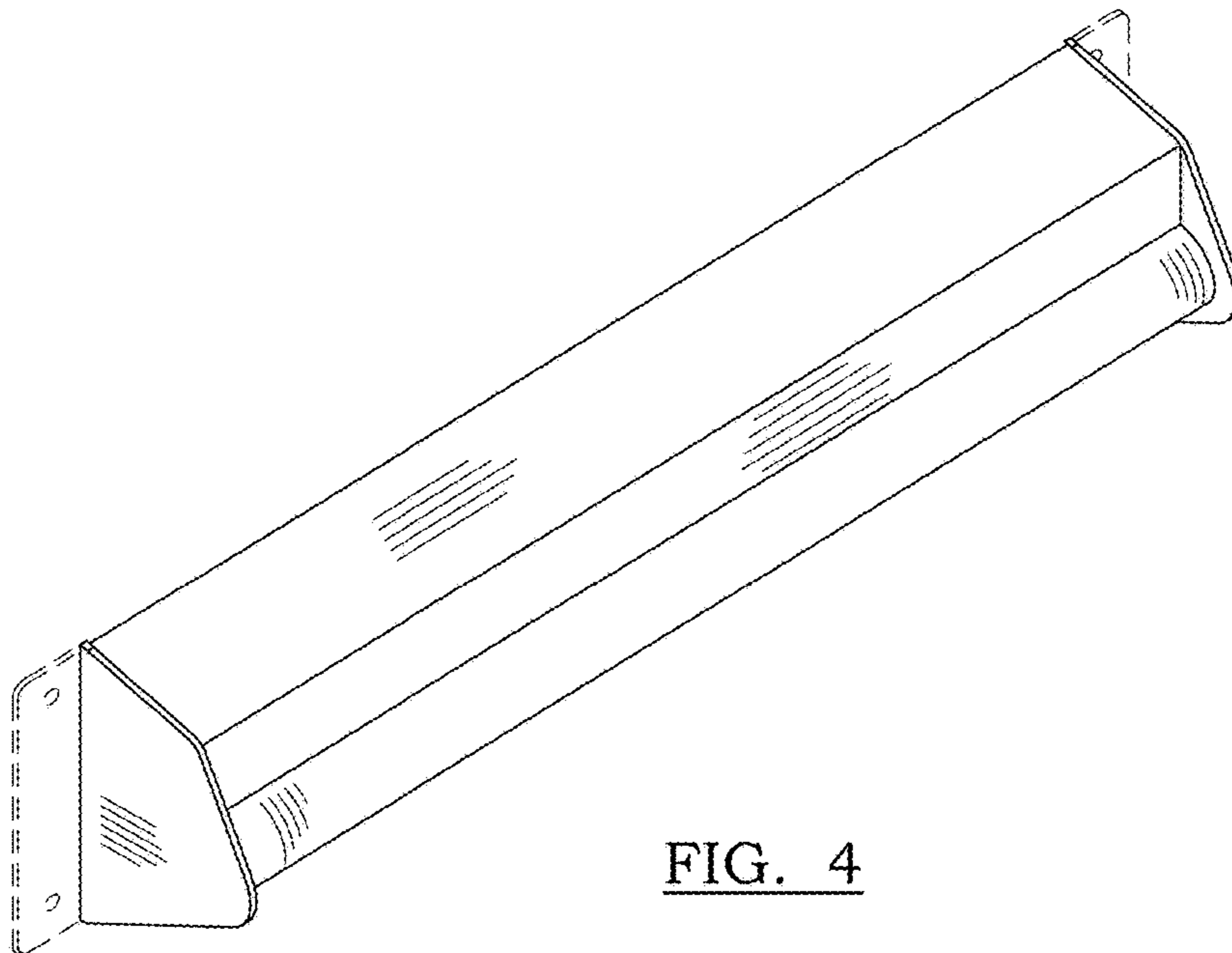


FIG. 4

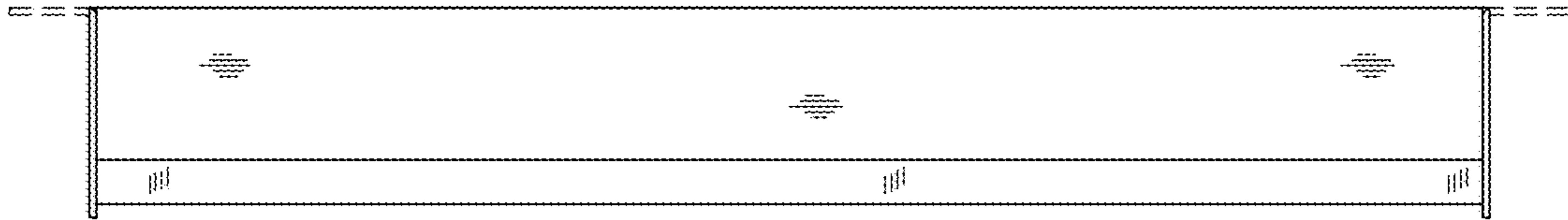


FIG. 5

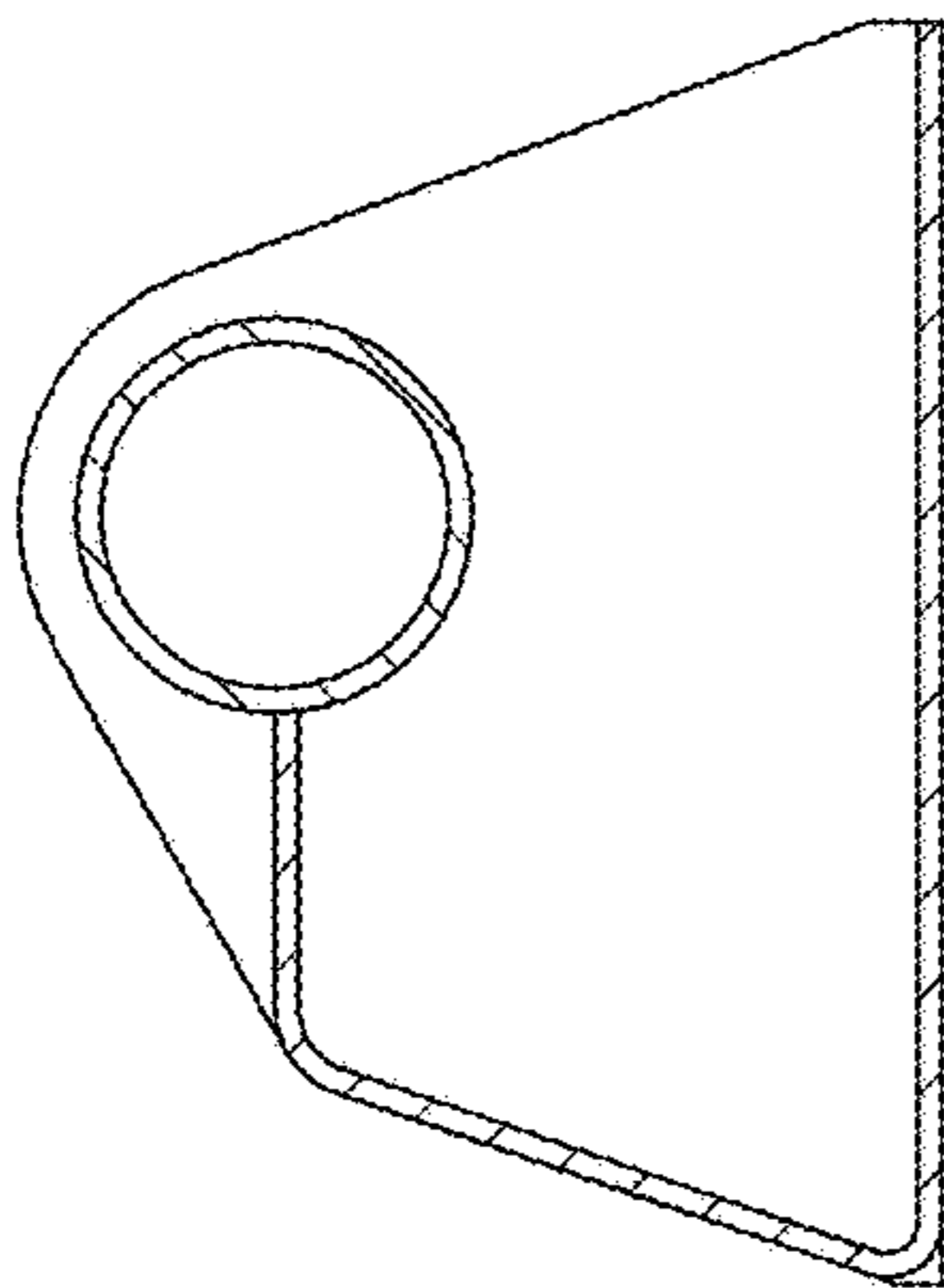


FIG. 6

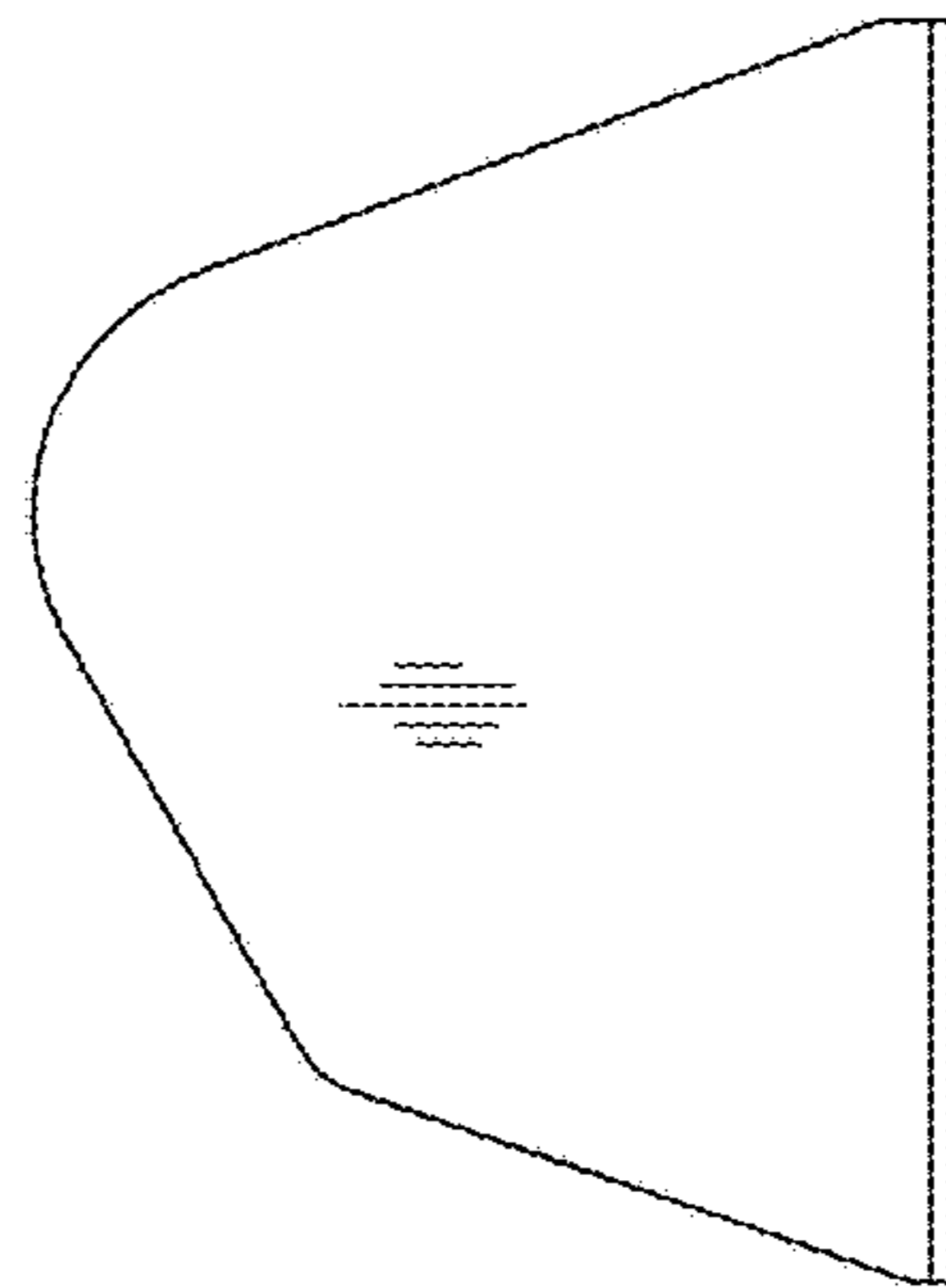


FIG. 7