

US00D799301S

(12) **United States Design Patent** (10) **Patent No.:** **US D799,301 S**
Cetera et al. (45) **Date of Patent:** **** Oct. 10, 2017**

(54) **MULTITOOL**

(71) Applicants: **Carl Cetera**, Westfield, NJ (US);
Christon G Suess, Bergenfield, NJ
(US); **Jillian Walbroel**, Woodland Park,
NJ (US); **Jeffrey Steel**, Hoboken, NJ
(US)

(72) Inventors: **Carl Cetera**, Westfield, NJ (US);
Christon G Suess, Bergenfield, NJ
(US); **Jillian Walbroel**, Woodland Park,
NJ (US); **Jeffrey Steel**, Hoboken, NJ
(US)

(73) Assignee: **Cotapaxi Custom Design and
Manufacturing LLC**, Carlsdtd, NJ
(US)

(**) Term: **15 Years**

(21) Appl. No.: **29/578,770**

(22) Filed: **Sep. 23, 2016**

Related U.S. Application Data

(63) Continuation-in-part of application No. 29/577,464,
filed on Sep. 13, 2016.

(51) **LOC (10) Cl.** **08-05**

(52) **U.S. Cl.**
USPC **D8/105; D8/19**

(58) **Field of Classification Search**
USPC D8/105, 38, 55, 17, 18, 21, 53, 100, 103,
D8/26, 34, 87, 99, 356, 28; D3/210
CPC .. B25B 15/008; B25F 1/00; B25F 1/02; B25F
1/04; F16B 45/02

See application file for complete search history.

(56) **References Cited**

U.S. PATENT DOCUMENTS

D374,388	S	*	10/1996	Padden	D8/105
D416,581	S	*	11/1999	Cheng	D19/65
D431,105	S	*	9/2000	Ling	D3/228
6,347,875	B1	*	2/2002	Painsith	A45C 11/00 362/118
D462,000	S	*	8/2002	Hightower	D8/40
D517,390	S	*	3/2006	Cheng	D8/105
D710,179	S	*	8/2014	Thomas	D8/105
D751,877	S	*	3/2016	Shlaferman	D8/19
9,302,383	B2	*	4/2016	Barr	B25F 1/00
D772,677	S	*	11/2016	Celestine	D8/105
D772,678	S	*	11/2016	Haarburger	D8/105
2007/0028452	A1	*	2/2007	LaFauci	B26B 27/005 30/142
2015/0240524	A1	*	8/2015	Olroyd	B25H 3/02 81/15.9

* cited by examiner

Primary Examiner — Janice Hallmark

(74) *Attorney, Agent, or Firm* — Steven E. Shapiro

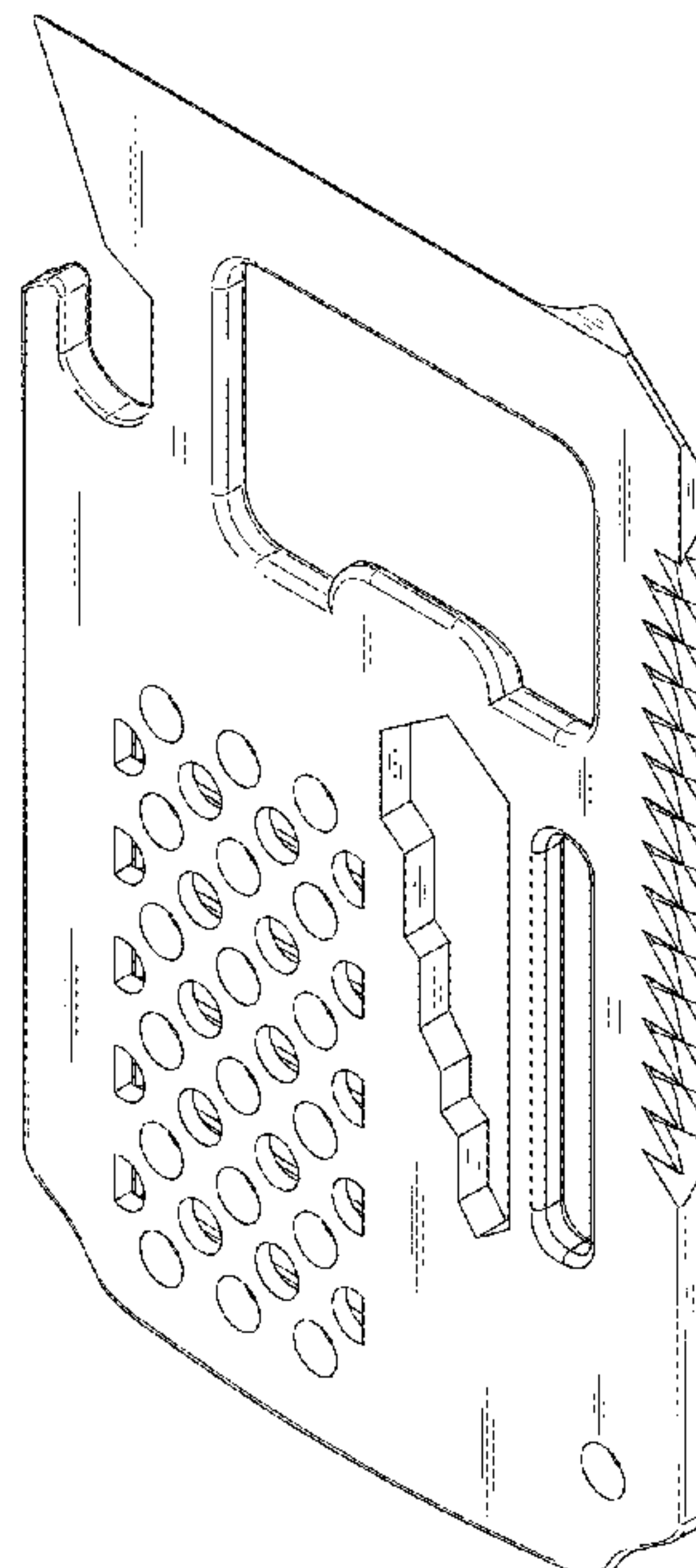
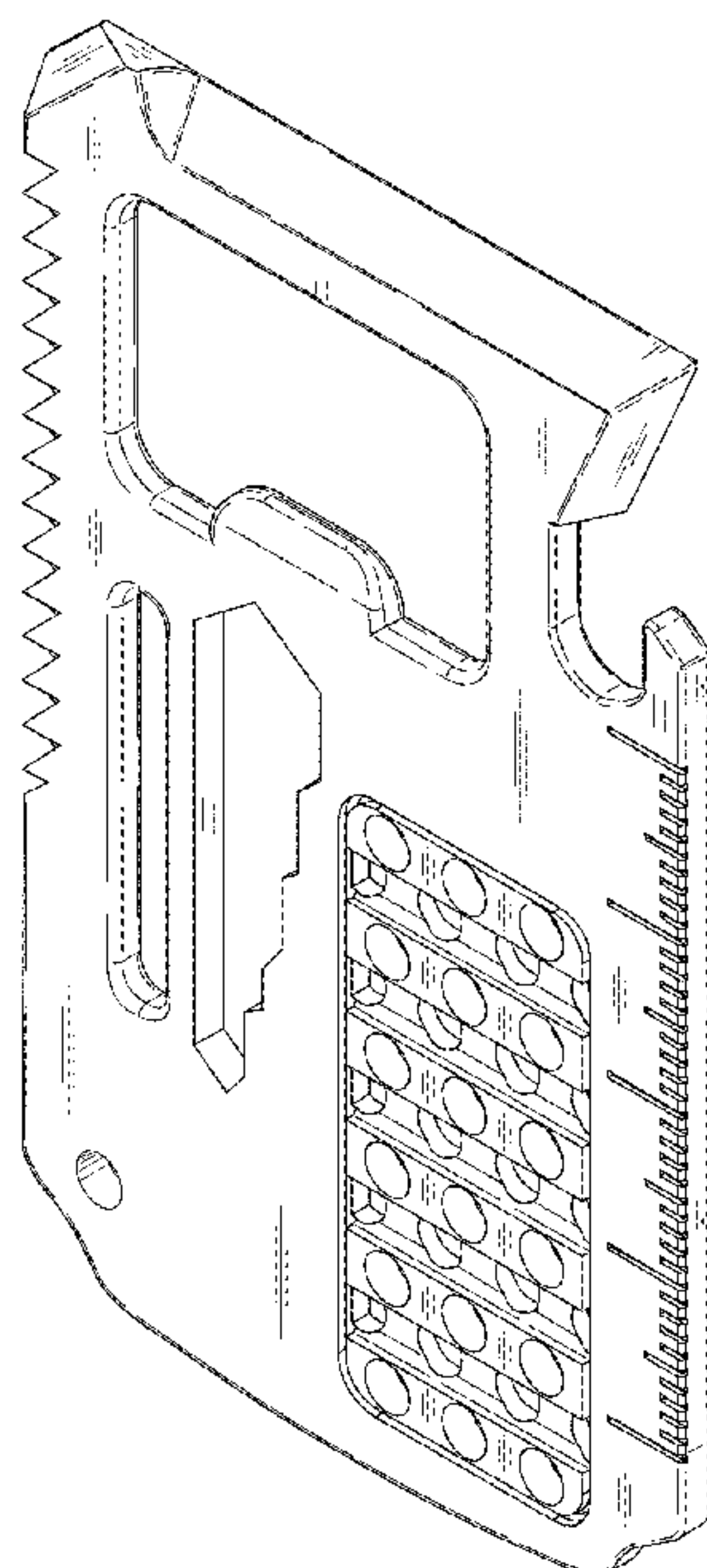
(57) **CLAIM**

The ornamental design for a multitool, as shown and described.

DESCRIPTION

FIG. 1 is a front perspective view of a multitool;
FIG. 2 is a rear perspective view of the multitool;
FIG. 3 is a front view of the multitool;
FIG. 4 is a rear view of the multitool;
FIG. 5 is a left side view of the multitool;
FIG. 6 is a right side view of the multitool;
FIG. 7 is a top view of the multitool; and,
FIG. 8 is a bottom view of the multitool.

1 Claim, 8 Drawing Sheets



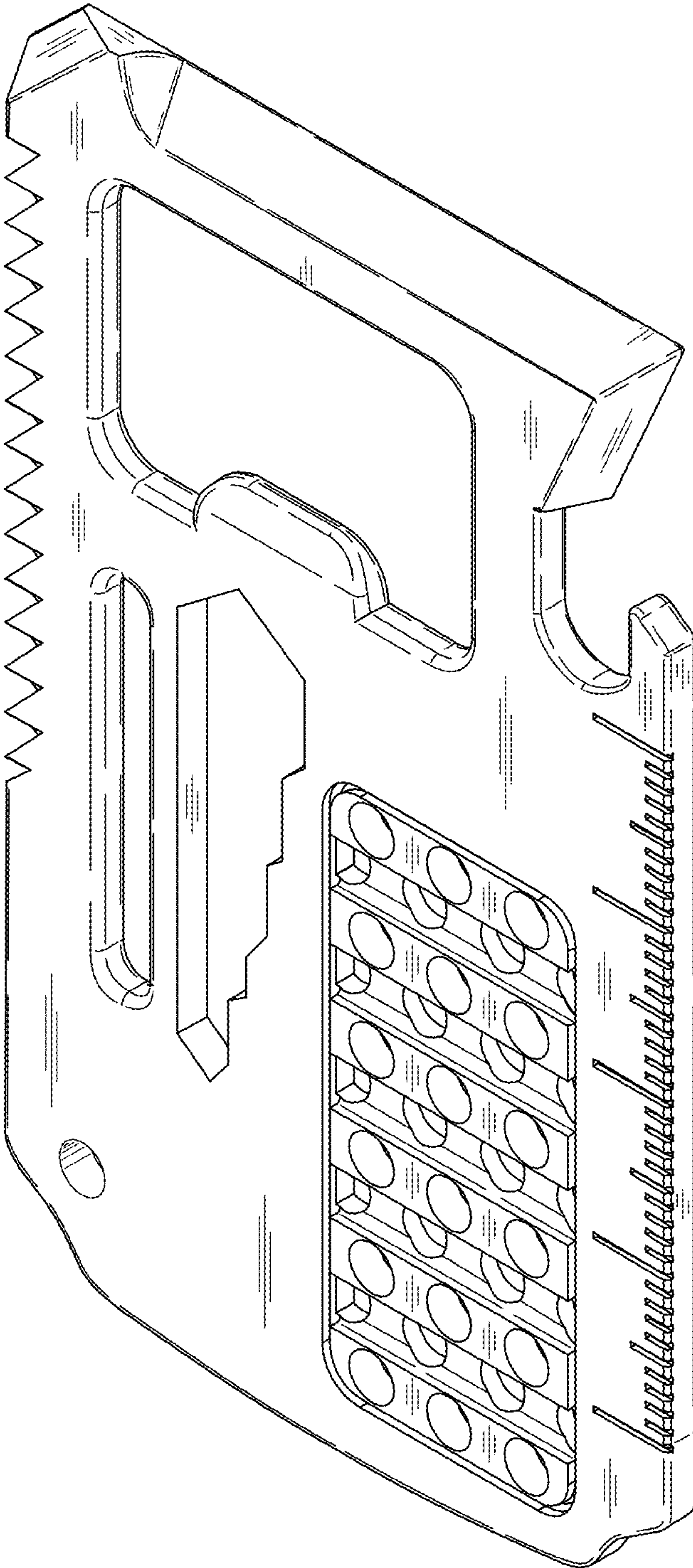


FIG. 1

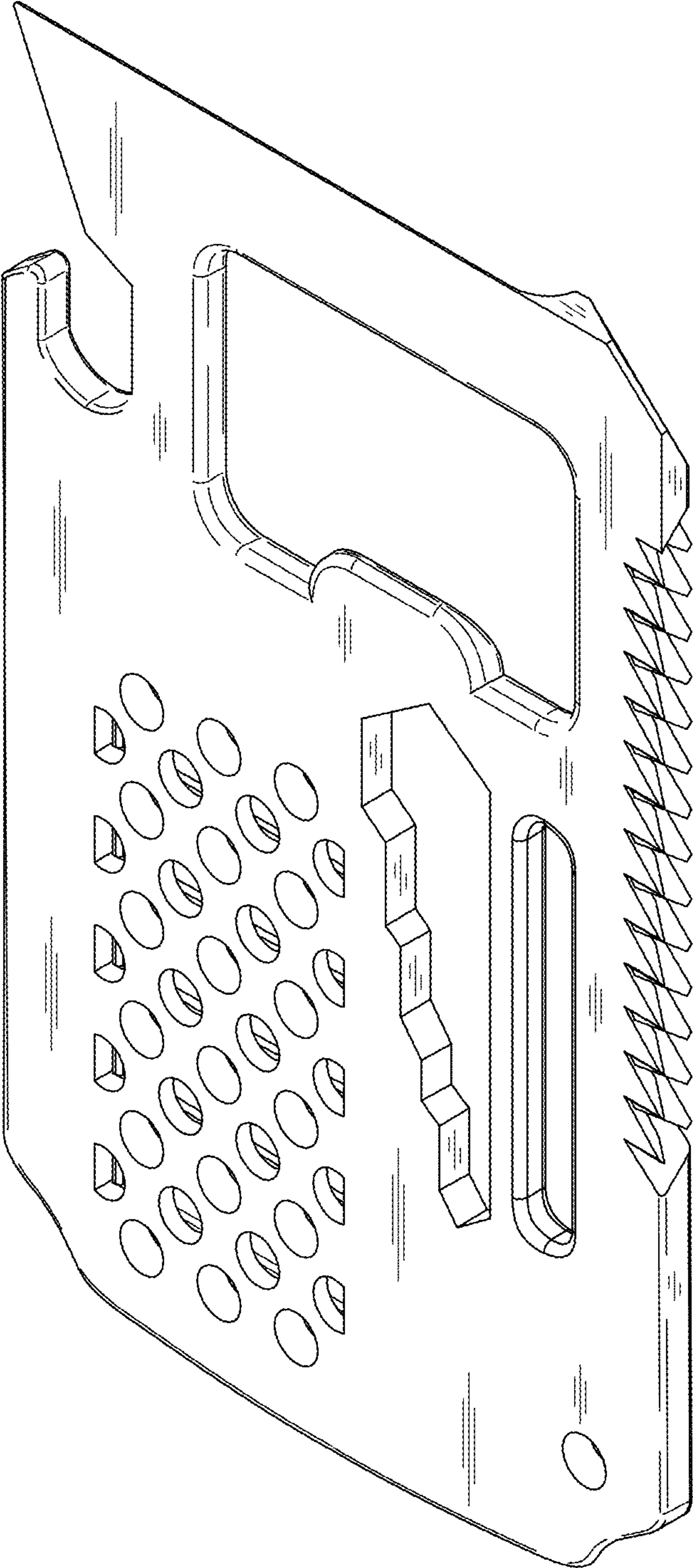


FIG. 2

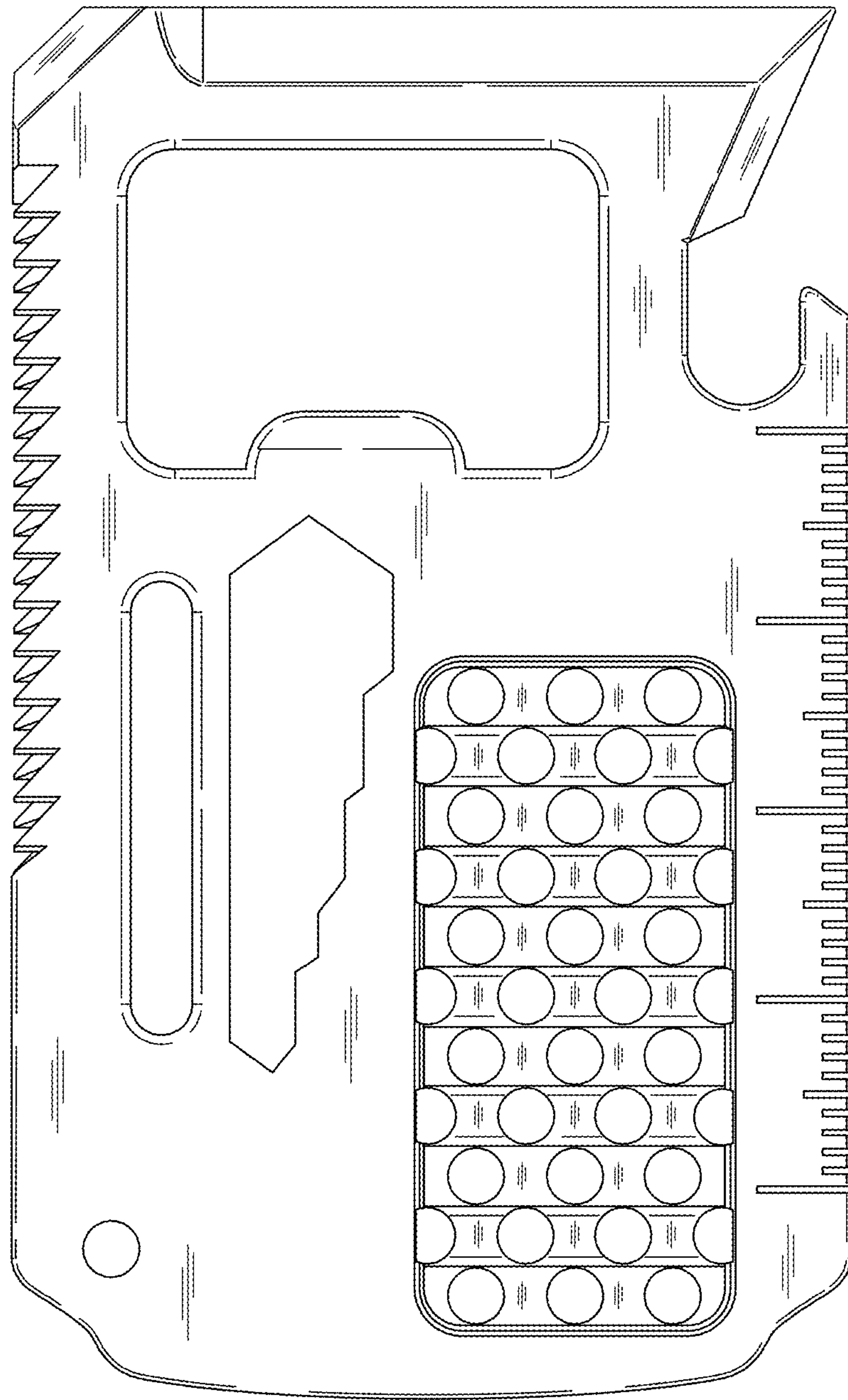


FIG. 3

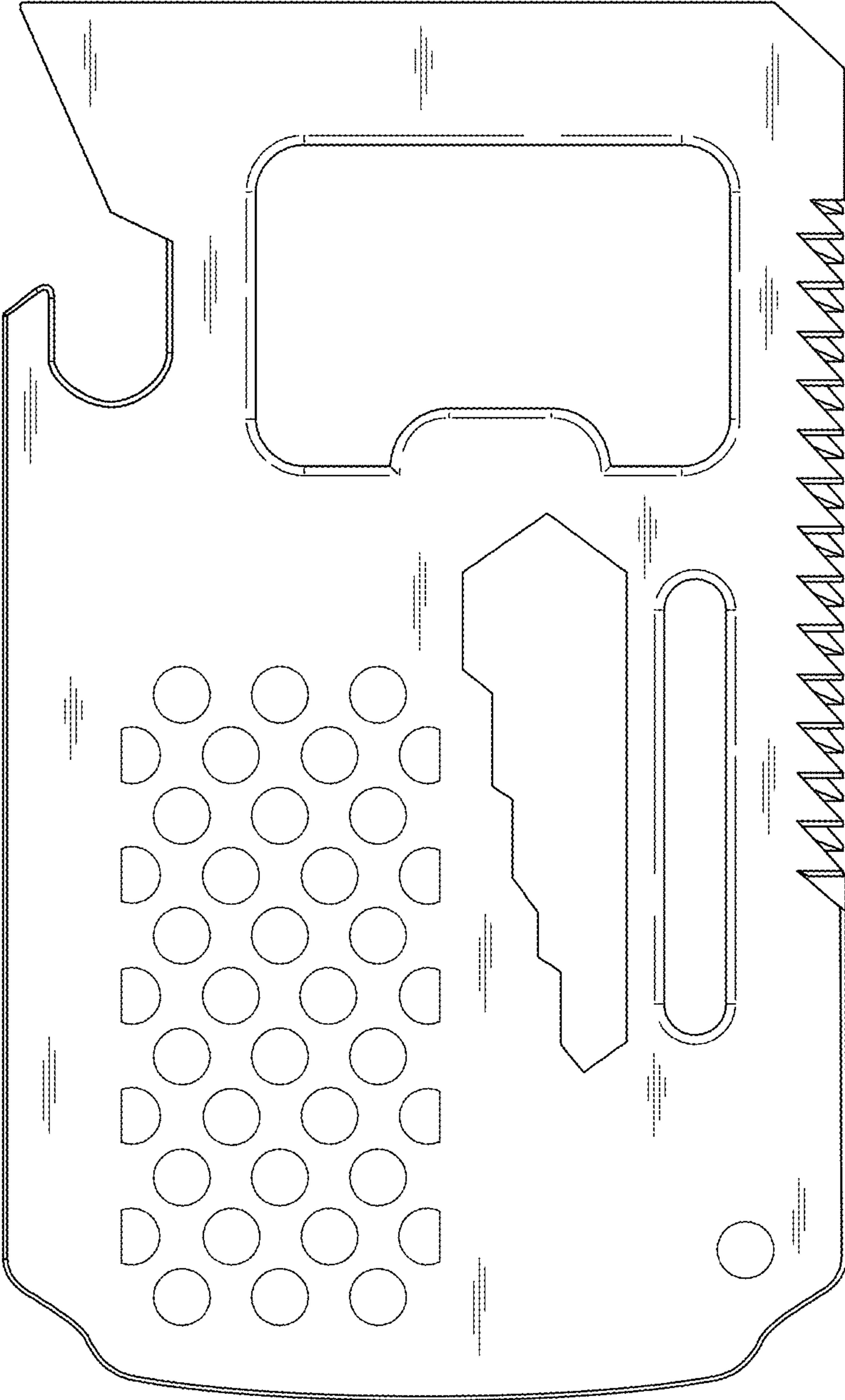


FIG. 4

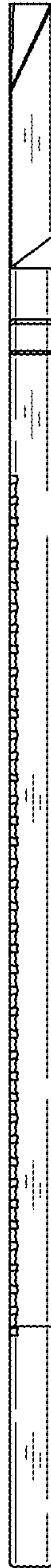


FIG. 5



FIG. 6

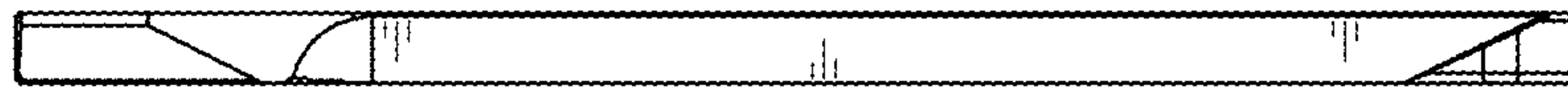


FIG. 7



FIG. 8