

US00D799300S

(12) **United States Design Patent** (10) **Patent No.:** **US D799,300 S**  
**Chang** (45) **Date of Patent:** **\*\* Oct. 10, 2017**

(54) **CARABINER MULTI-TOOL**  
(71) Applicant: **Shih-Ming Chang**, Taipei (TW)  
(72) Inventor: **Shih-Ming Chang**, Taipei (TW)  
(\*\*) Term: **15 Years**  
(21) Appl. No.: **29/577,392**  
(22) Filed: **Sep. 13, 2016**  
(51) **LOC (10) Cl.** ..... **08-05**  
(52) **U.S. Cl.**  
USPC ..... **D8/105; D8/356**  
(58) **Field of Classification Search**  
USPC .... D8/105, 38, 55, 17, 18, 21, 53, 100, 103,  
D8/26, 34, 87, 99, 356, 28  
CPC .. B25B 15/008; B25F 1/00; B25F 1/02; B25F  
1/04; F16B 45/02  
See application file for complete search history.

8,966,690 B2 \* 3/2015 Stokes ..... H02G 1/005  
30/153  
D726,517 S \* 4/2015 Fischer ..... D8/17  
D733,516 S \* 7/2015 Kelleghan ..... D8/105  
D747,947 S \* 1/2016 Ma ..... D8/105  
D758,824 S \* 6/2016 Kelleghan ..... D8/105  
D761,087 S \* 7/2016 Gobbi ..... D8/356  
D765,495 S \* 9/2016 Schmid ..... D8/356  
D770,250 S \* 11/2016 Fischer ..... D8/17  
D772,029 S \* 11/2016 Spater ..... D8/18  
D773,274 S \* 12/2016 Berman ..... D8/105  
2005/0144730 A1 \* 7/2005 Barber ..... B25B 7/22  
7/138  
2014/0059782 A1 \* 3/2014 Duncan ..... B25F 1/04  
7/138

\* cited by examiner

*Primary Examiner* — Janice Hallmark  
(74) *Attorney, Agent, or Firm* — Muncy, Geissler, Olds & Lowe, P.C.

(57) **CLAIM**

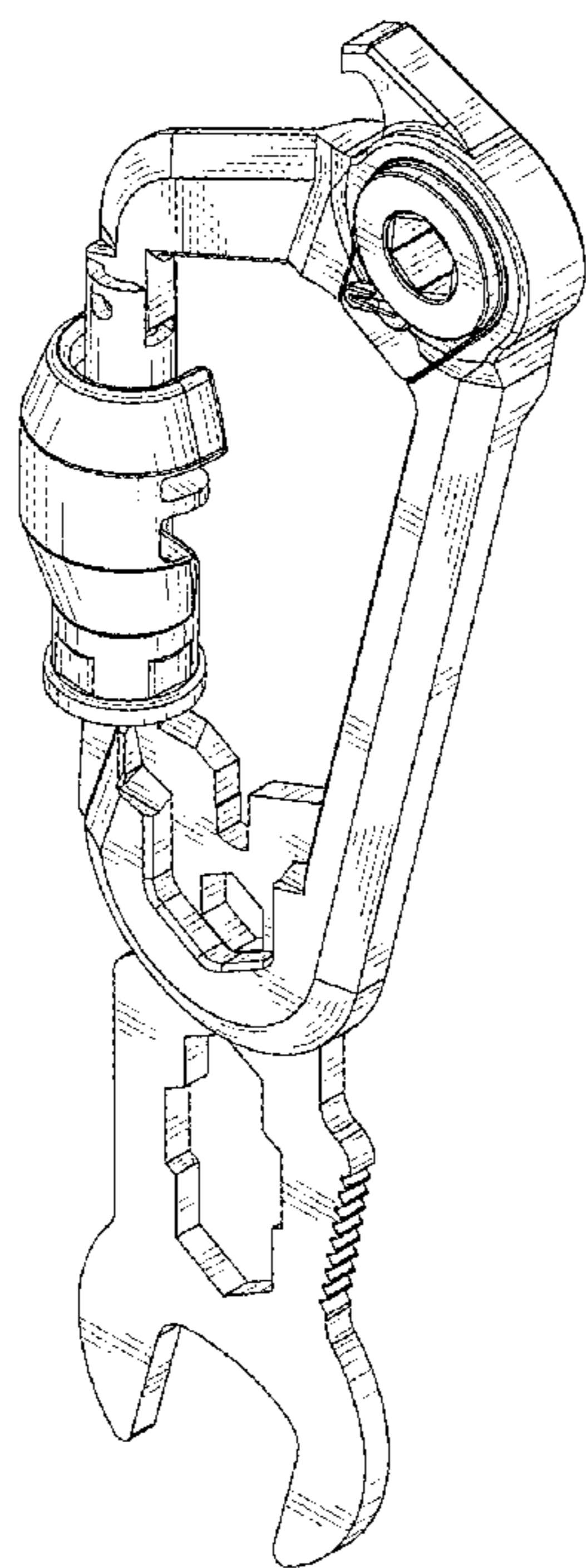
The ornamental design for a carabiner multi-tool, as shown and described.

**DESCRIPTION**

FIG. 1 is a perspective view of the carabiner multi-tool showing my new design;  
FIG. 2 is a front view thereof;  
FIG. 3 is a rear view thereof;  
FIG. 4 is a left view thereof;  
FIG. 5 is a right view thereof;  
FIG. 6 is a top view thereof; and,  
FIG. 7 is a bottom view thereof.

**1 Claim, 5 Drawing Sheets**

(56) **References Cited**  
U.S. PATENT DOCUMENTS  
6,223,372 B1 \* 5/2001 Barber ..... B25F 1/00  
7/118  
D484,770 S \* 1/2004 Green ..... D8/105  
D529,362 S \* 10/2006 Barber ..... D8/356  
D533,427 S \* 12/2006 Barber ..... D8/356  
7,698,970 B1 \* 4/2010 Chavez ..... B25B 13/04  
7/138  
D622,574 S \* 8/2010 Garcia ..... D8/105  
D632,546 S \* 2/2011 Schmid ..... D8/356  
D709,344 S \* 7/2014 Adelman ..... B25B 15/00  
D3/208



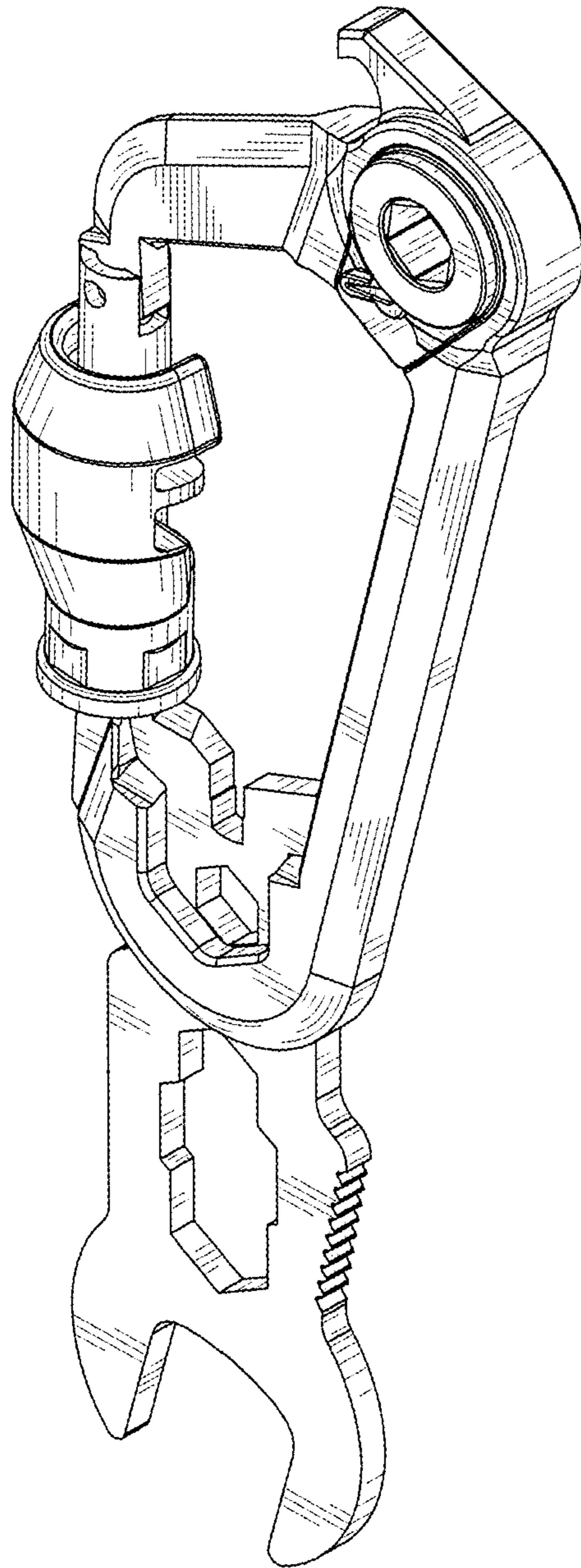


Fig.1

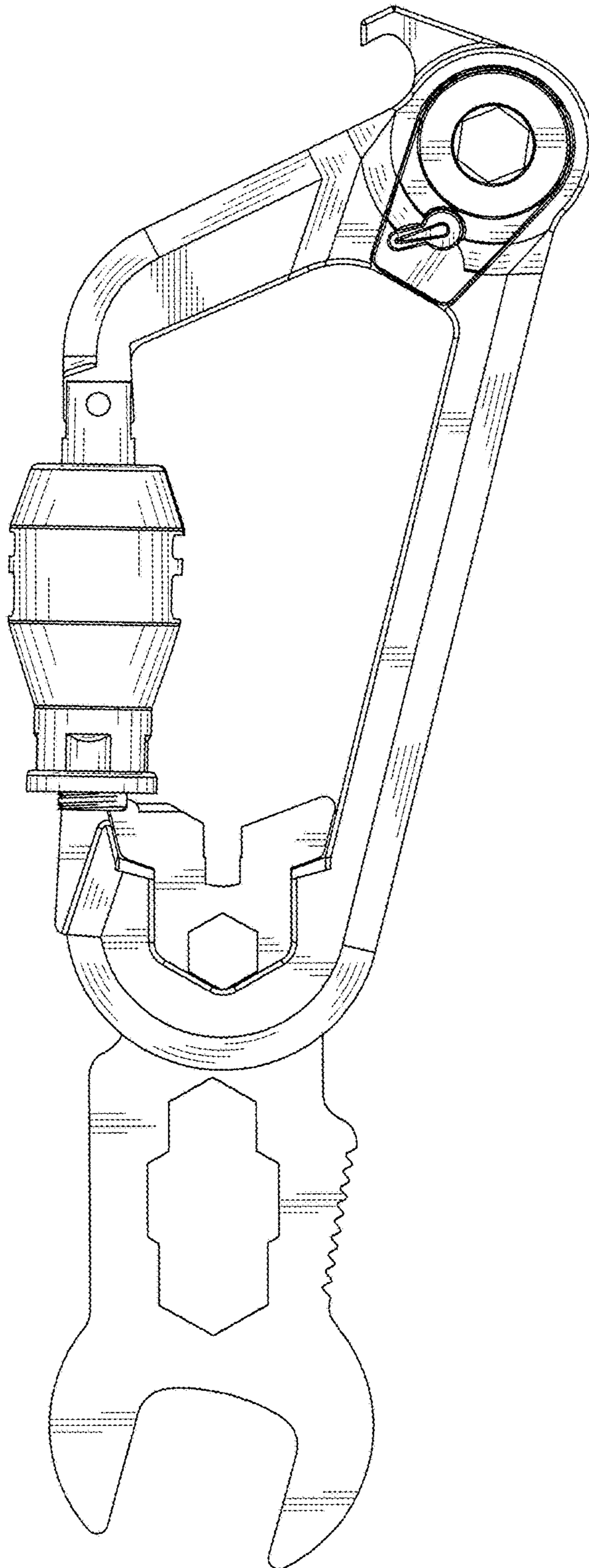


Fig.2

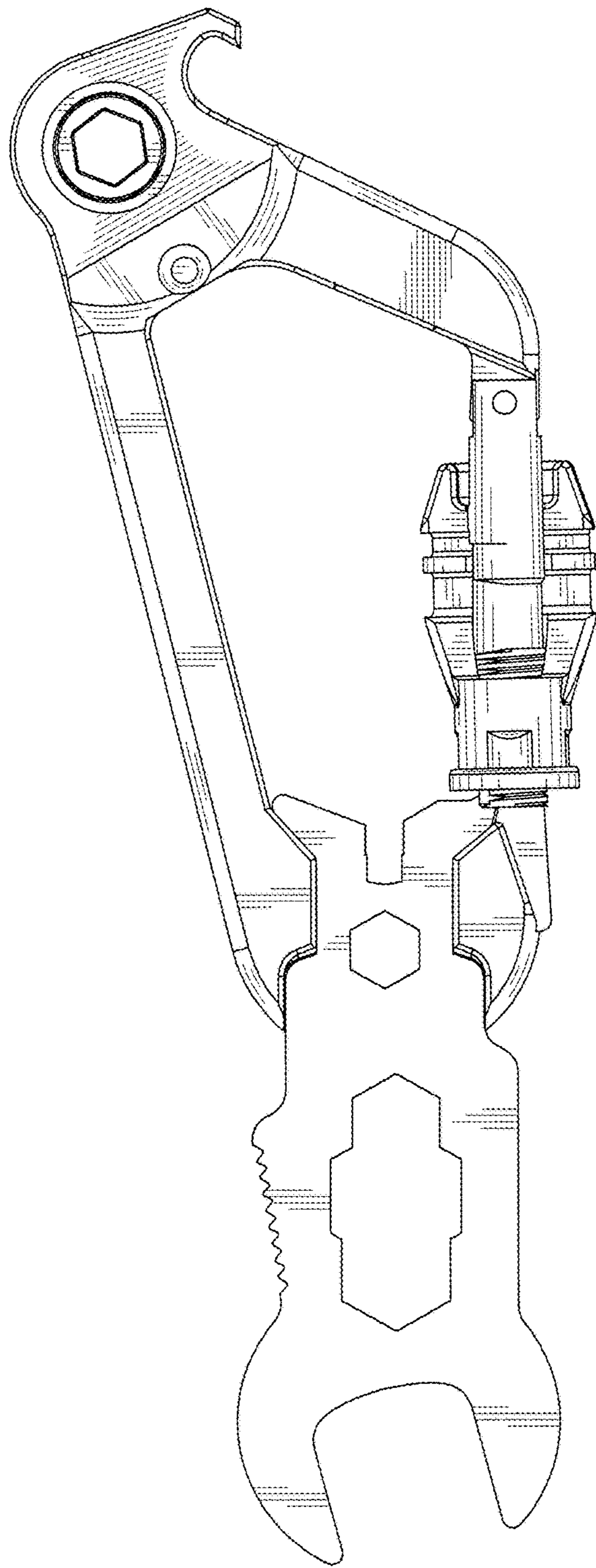


Fig.3

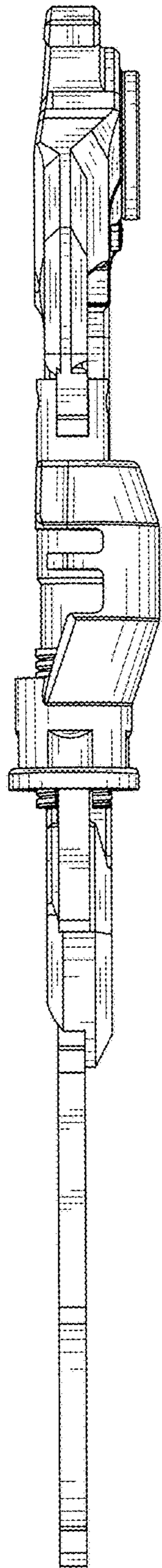


Fig.4

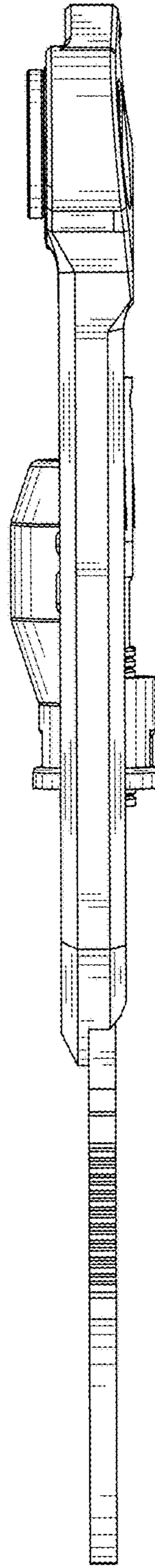


Fig.5

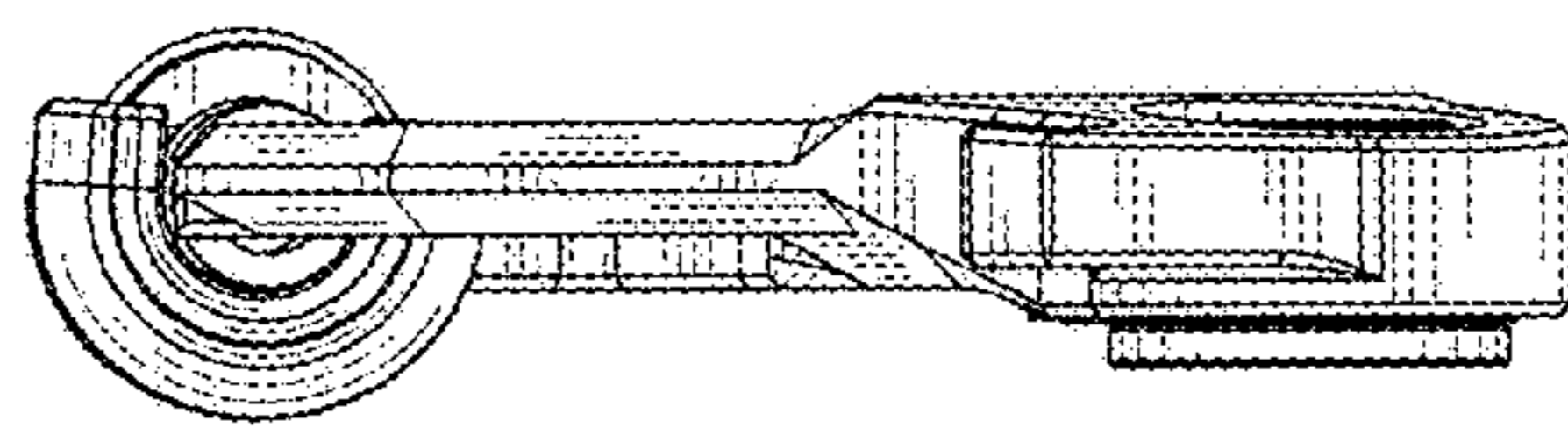


Fig.6

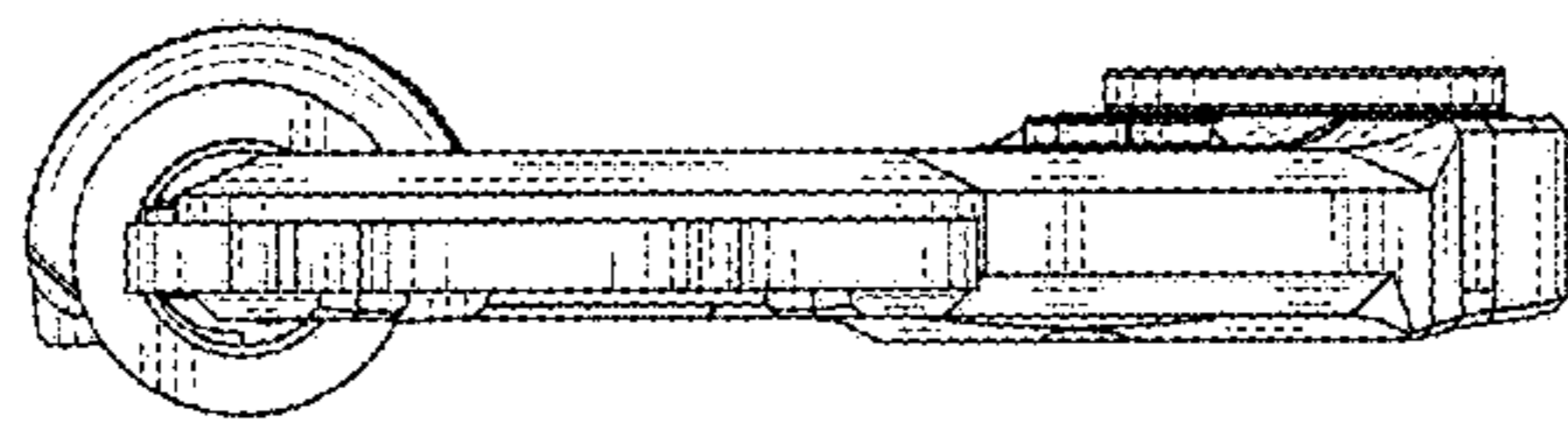


Fig.7