



US00D799296S

(12) **United States Design Patent** (10) **Patent No.:** **US D799,296 S**
Bradley (45) **Date of Patent:** **** Oct. 10, 2017**

- (54) **FAUCET SEAT MULTI-WRENCH**
- (71) Applicant: **Theodore Bradley**, North Ridgeville, OH (US)
- (72) Inventor: **Theodore Bradley**, North Ridgeville, OH (US)
- (73) Assignee: **Magna Industries, Inc.**, Cleveland, OH (US)
- (**) Term: **14 Years**
- (21) Appl. No.: **29/508,984**
- (22) Filed: **Nov. 13, 2014**
- (51) **LOC (10) Cl.** **08-05**
- (52) **U.S. Cl.**
USPC **D8/105; D8/26**
- (58) **Field of Classification Search**
USPC D8/105, 107, 99, 16, 17, 21-29; D3/210
CPC B25F 1/00; B25F 1/003; B25F 1/02; B25F 1/04; B25F 1/006
See application file for complete search history.

D398,212 S *	9/1998	Cachot	D8/105
D407,620 S *	4/1999	Cachot	D8/105
5,943,924 A	8/1999	Jarvis		
6,092,289 A *	7/2000	Schad	A24F 13/26 30/109
6,269,717 B1	8/2001	Bollinger		
6,367,356 B1	4/2002	Stepp		
D475,589 S	6/2003	Wilkinson		
6,601,481 B2 *	8/2003	Chuang	B25B 15/008 7/168
6,748,828 B2	6/2004	Bollinger		
6,813,978 B1	11/2004	Karpp		
7,114,418 B1	10/2006	Allen		
D610,893 S *	3/2010	Mudrick	D8/105
8,468,916 B2 *	6/2013	Johnson	B25B 15/008 7/168
D708,036 S *	7/2014	Johnson	D8/105
2015/0026899 A1	1/2015	Lawrence		

* cited by examiner

Primary Examiner — Janice Hallmark

(57) **CLAIM**

The ornamental design for faucet seat multi-wrench, as shown and described.

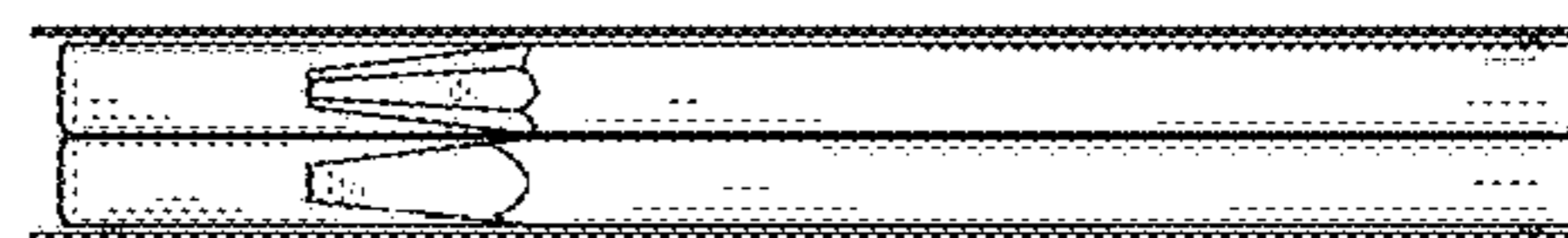
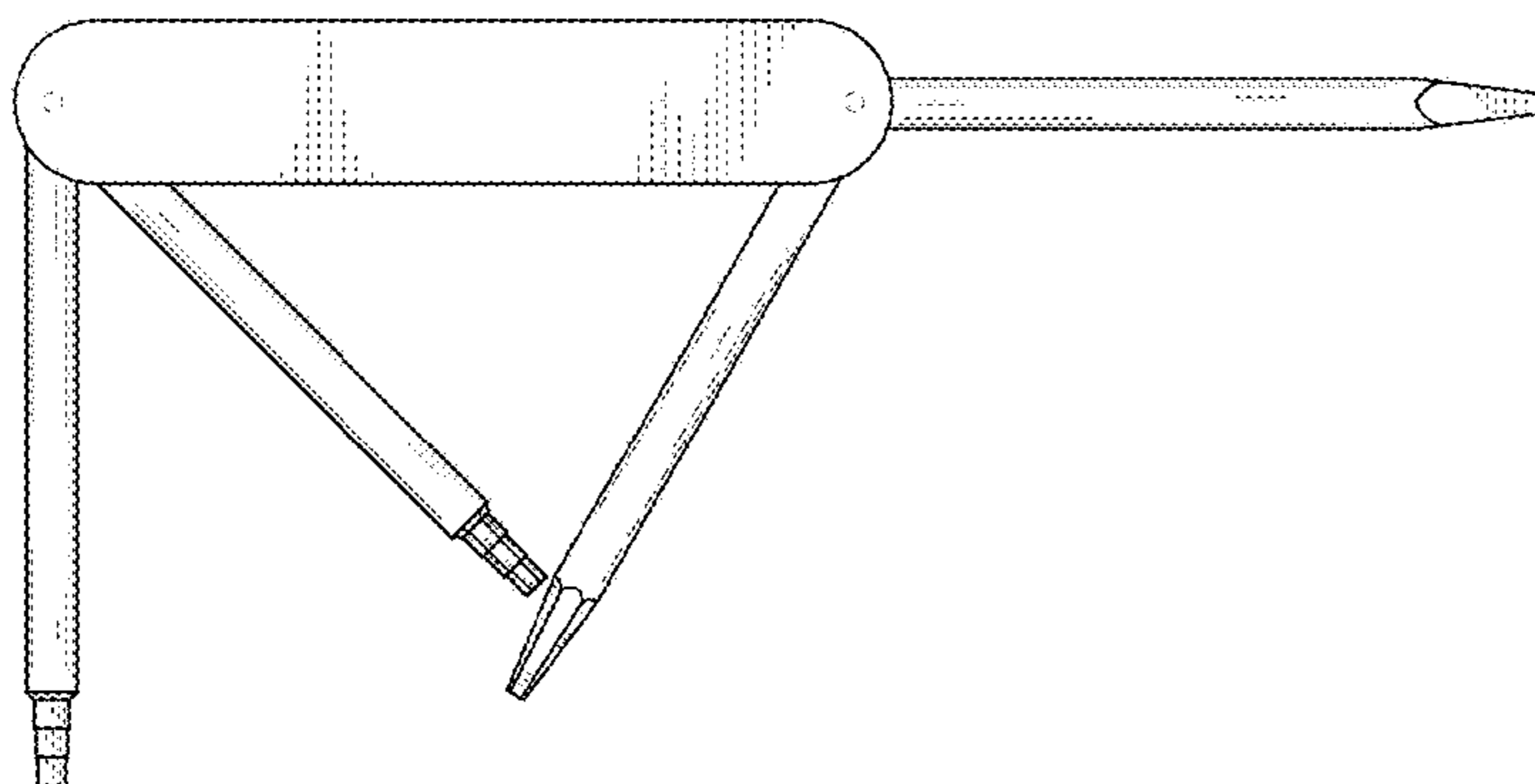
DESCRIPTION

FIG. 1 is a front view of the faucet seat multi-wrench showing my new design in an open position;
 FIG. 2 is a front view of the faucet seat multi-wrench in a closed position;
 FIG. 3 is a rear view thereof;
 FIG. 4 is a bottom view thereof;
 FIG. 5 is a top view thereof;
 FIG. 6 is a right end view thereof; and,
 FIG. 7 is a left end view thereof.
 The broken lines in the drawings depict environmental subject matter and are for illustrative purposes only and form no part of the claimed design.

1 Claim, 2 Drawing Sheets

(56) **References Cited**
U.S. PATENT DOCUMENTS

2,564,196 A	8/1951	Denzler		
2,592,978 A	4/1952	Trimboli		
2,649,825 A	4/1953	Fisher		
2,735,325 A	2/1956	Rudd		
2,822,714 A	2/1958	Paparelli		
3,127,798 A	4/1964	Gol		
3,289,503 A	12/1966	Klatt		
3,861,251 A	1/1975	Streander		
4,212,336 A	7/1980	Smith		
4,279,314 A	7/1981	Taub		
D375,028 S	10/1996	Moses		
5,568,757 A	10/1996	Lewis		
5,586,571 A	12/1996	Guillermo		
D382,190 S *	8/1997	Blackston	D8/105



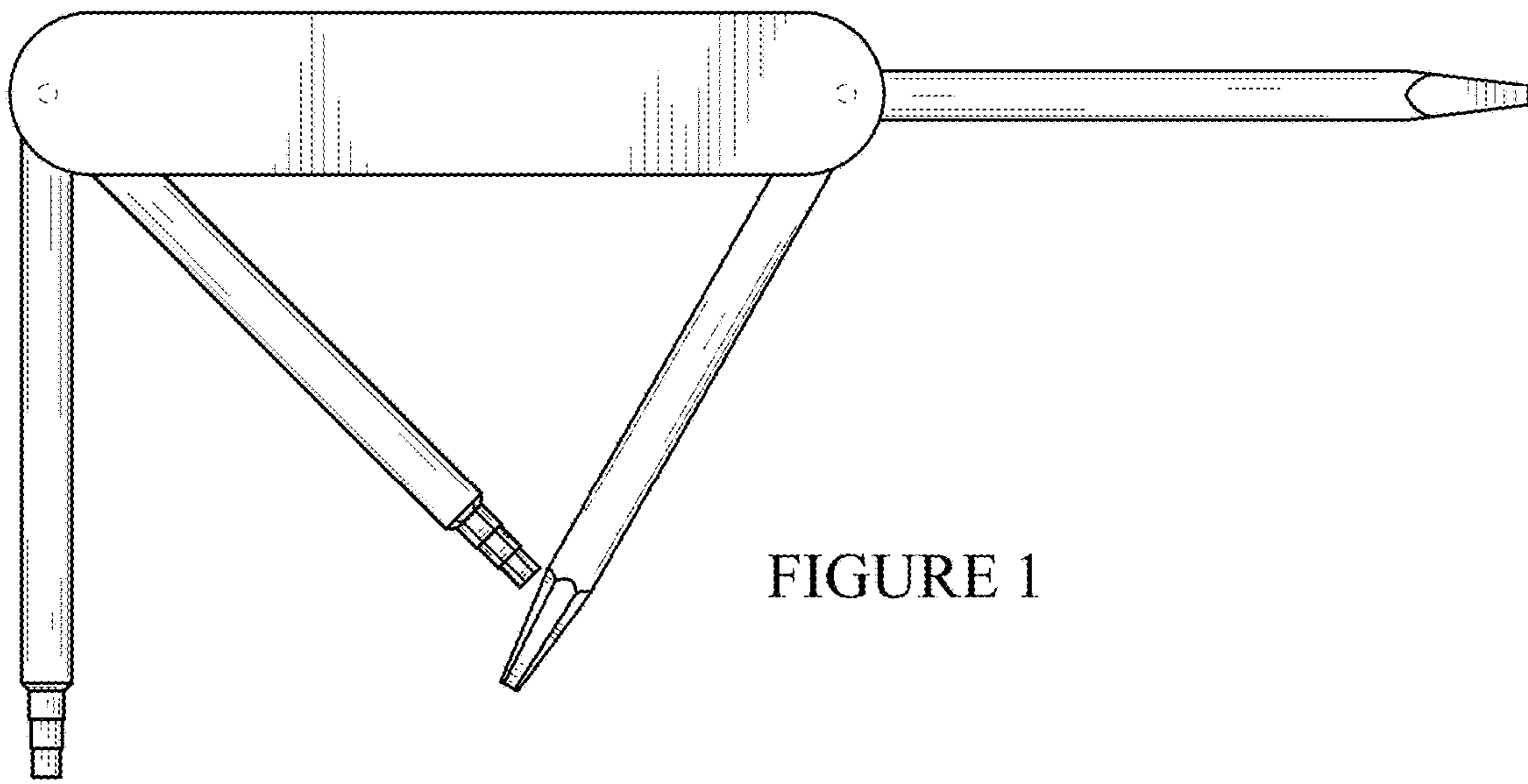


FIGURE 1



FIGURE 2

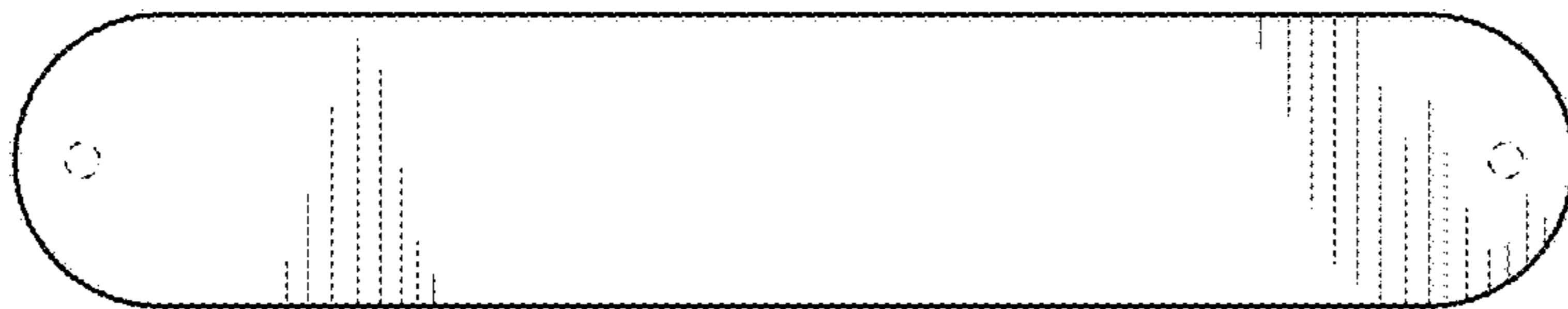


FIGURE 3

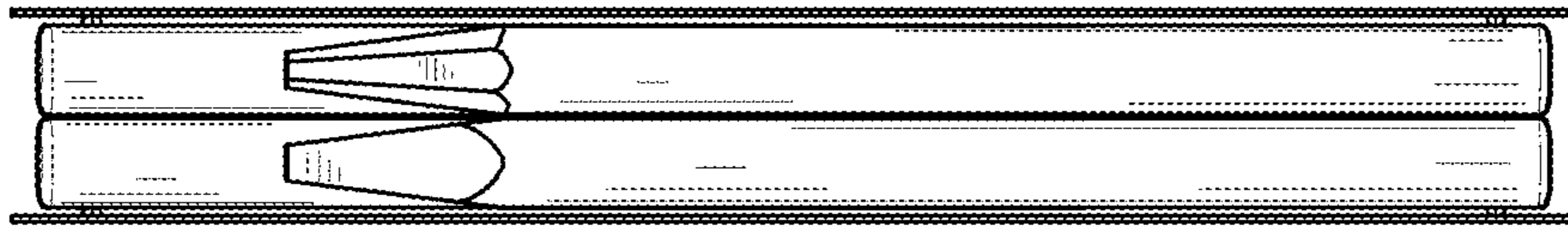


FIGURE 4



FIGURE 5

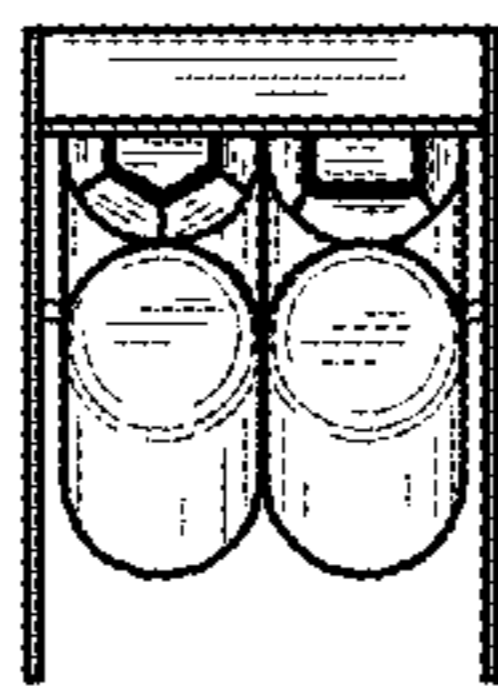


FIGURE 6

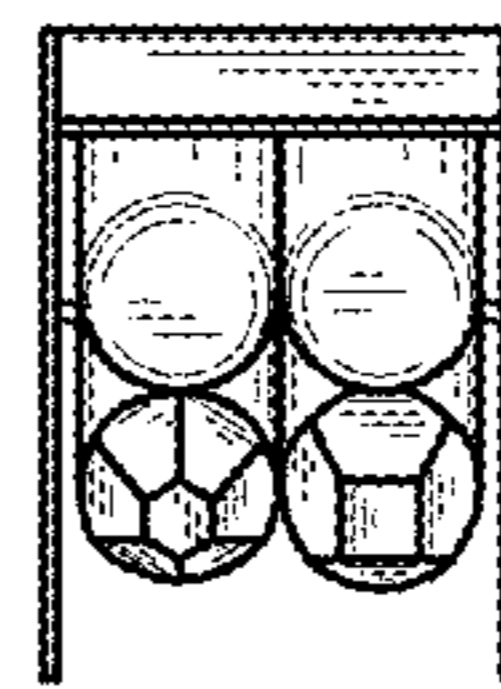


FIGURE 7