



US00D799295S

(12) **United States Design Patent**
Huttunen

(10) **Patent No.:** **US D799,295 S**

(45) **Date of Patent:** **** Oct. 10, 2017**

(54) **AXE**

(71) Applicant: **Fiskars Garden Oy Ab**, Billnäs (FI)

(72) Inventor: **Aaro Huttunen**, Billnäs (FI)

(73) Assignee: **Fiskars Garden Oy Ab**, Billnäs (FI)

(**) Term: **14 Years**

(21) Appl. No.: **29/521,105**

(22) Filed: **Mar. 19, 2015**

(30) **Foreign Application Priority Data**

Sep. 22, 2014 (EM) 002542365-0002
Sep. 22, 2014 (EM) 002542365-0003

(51) **LOC (10) Cl.** **08-02**

(52) **U.S. Cl.**
USPC **D8/76**

(58) **Field of Classification Search**
USPC D8/68, 75-81, 105, 107, 303; 81/19-26,
81/489-490; 76/103; D22/117
CPC B25G 1/10; B25G 3/34; B26B 23/00
See application file for complete search history.

(56) **References Cited**

U.S. PATENT DOCUMENTS

327,275 A 9/1885 Kelly
402,936 A 5/1889 Kelly
542,973 A 7/1895 Carver
561,409 A 6/1896 Mann

(Continued)

FOREIGN PATENT DOCUMENTS

DE 30 06 968 A1 9/1981
DE 298 13 762 U1 8/1999

(Continued)

OTHER PUBLICATIONS

Office Action, U.S. Appl. No. 29/521,102, 8 pages. (dated Feb. 8, 2016).

(Continued)

Primary Examiner — Philip S Hyder
Assistant Examiner — Roselynn Cody

(74) *Attorney, Agent, or Firm* — Foley & Lardner LLP

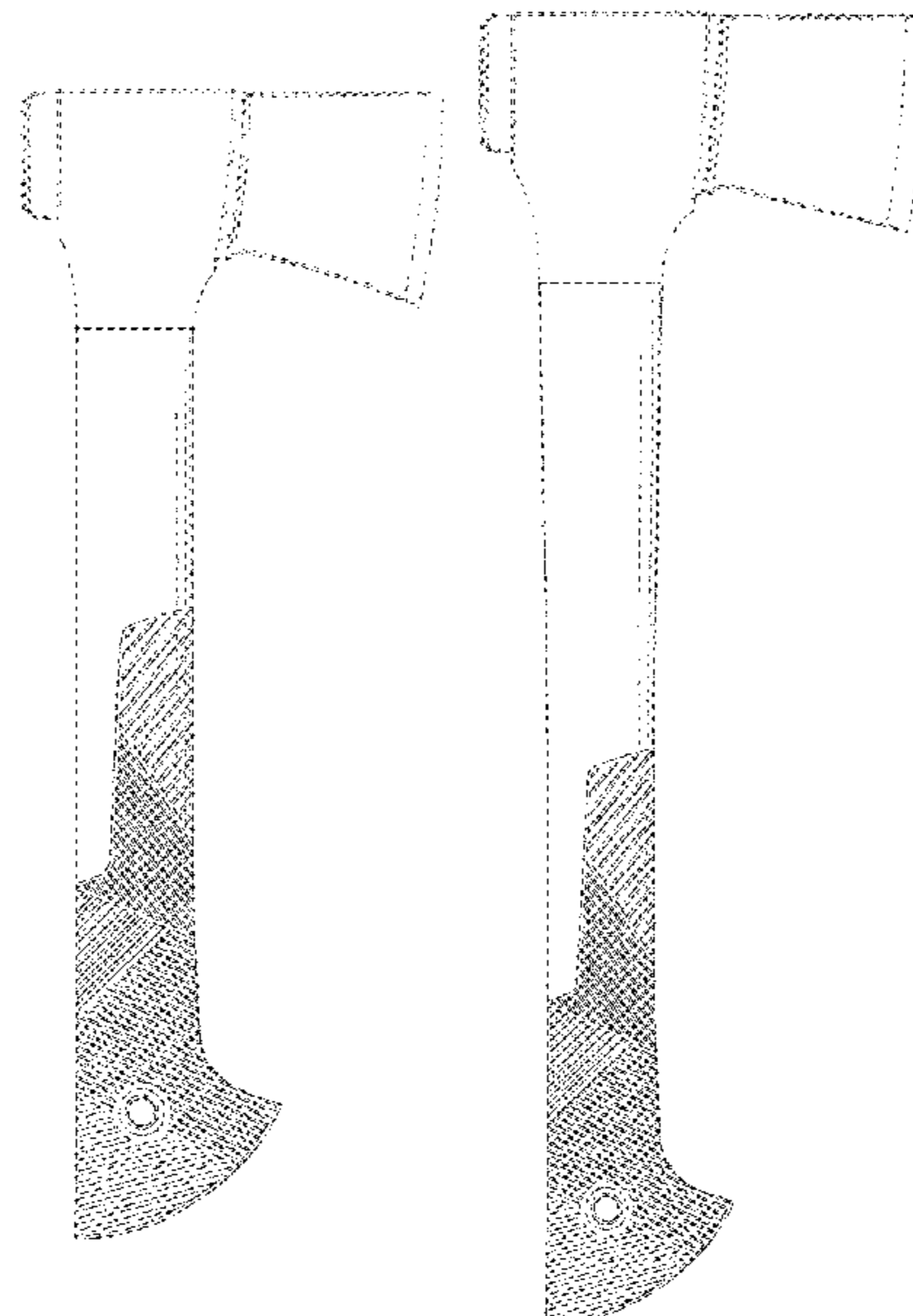
(57) **CLAIM**

I claim the ornamental design for an axe, as shown and described.

DESCRIPTION

FIG. 1 is a front view of an embodiment the claimed design; FIG. 2 is a left side view of the claimed design of FIG. 1; FIG. 3 is a right side view of the claimed design of FIG. 1; FIG. 4 is a bottom view of the claimed design of FIG. 1; FIG. 5 is a right, rear, upper perspective view of the claimed design of FIG. 1; FIG. 6 is a right, front, lower perspective view of the claimed design of FIG. 1; FIG. 7 is a left, rear, lower perspective view of the claimed design of FIG. 1; FIG. 8 is a front view of another embodiment of the claimed design; FIG. 9 is a left side view of the claimed design of FIG. 8; FIG. 10 is a right side view of the claimed design of FIG. 8; FIG. 11 is a bottom view of the claimed design of FIG. 8; FIG. 12 is a right, rear, upper perspective view of the claimed design of FIG. 8; FIG. 13 is a right, front, lower perspective view of the claimed design of FIG. 8; and, FIG. 14 is a left, rear, lower perspective view of the claimed design of FIG. 8.
Areas of the drawings shown in broken lines are directed to features of the axe that form no part of the claimed design.

1 Claim, 14 Drawing Sheets



(56)

References Cited

U.S. PATENT DOCUMENTS

D26,333 S 11/1896 Sanders
 D29,680 S 11/1898 Kelly
 653,234 A 7/1900 Graham
 D35,038 S 9/1901 Mitchell
 D35,720 S 2/1902 Mesrope et al.
 776,734 A 12/1904 Fuller
 910,763 A 1/1909 Yeatts
 1,354,384 A 9/1920 Doolittle
 1,748,637 A 2/1930 Crum
 1,770,072 A 7/1930 Fordyce
 1,943,807 A 1/1934 Bellerive
 D183,916 S 11/1958 Derwallis
 3,090,653 A 5/1963 Stump
 D209,381 S 11/1967 Reuterfors
 D237,582 S 11/1975 Mostyn
 D267,469 S 1/1983 Crowder
 4,440,205 A 4/1984 Hillinger
 D300,715 S 4/1989 Ragoonath
 D305,494 S 1/1990 Jasperson
 D324,473 S 3/1992 Chen
 D325,863 S 5/1992 Chen
 D347,771 S 6/1994 Lutzke
 D354,212 S 1/1995 Ronnholm et al.
 D356,480 S 3/1995 Ronnholm et al.
 D357,166 S 4/1995 Concari
 D362,795 S 10/1995 Ronnholm
 D384,564 S 10/1997 Bengtsson et al.
 5,701,675 A 12/1997 Hall et al.
 5,765,289 A 6/1998 Schulz et al.
 5,822,867 A 10/1998 Sakai
 D402,874 S 12/1998 Hall et al.
 5,848,473 A 12/1998 Brandenburg, Jr.
 D413,773 S 9/1999 Chang
 D414,670 S 10/1999 Linden
 D424,903 S 5/2000 Hreha et al.
 D430,785 S 9/2000 Eriksson et al.
 D431,988 S 10/2000 Staton
 D436,013 S 1/2001 Eriksson et al.
 D444,685 S 7/2001 Shenkel et al.
 D444,689 S 7/2001 Staton et al.
 D452,126 S 12/2001 Hung
 D453,291 S 2/2002 Huang
 D465,716 S 11/2002 Hsieh
 D472,786 S 4/2003 Cech et al.
 D474,667 S 5/2003 Hung
 6,564,849 B1 5/2003 Kusner
 D500,240 S 12/2004 Fancelli
 D500,656 S 1/2005 Fancelli
 D508,193 S 8/2005 Tran
 D509,123 S 9/2005 Tran
 D511,082 S 11/2005 Chen
 D513,956 S 1/2006 Tran
 D515,387 S 2/2006 Hung
 D519,017 S 4/2006 Hsieh
 D519,813 S 5/2006 Hung
 D524,627 S 7/2006 Chen
 D530,164 S 10/2006 Farley
 D531,479 S 11/2006 Davis

D544,777 S 6/2007 Yeh
 D564,324 S 3/2008 Hsieh-Yeh
 D570,182 S 6/2008 Chen
 D583,641 S 12/2008 Fortier et al.
 D584,871 S 1/2009 Arvinte et al.
 D594,727 S 6/2009 Fortier et al.
 D595,554 S 7/2009 Hardinge et al.
 D598,264 S 8/2009 Mullen
 D605,004 S 12/2009 Tafoya
 D605,922 S 12/2009 Reinius
 D612,223 S 3/2010 DePretto
 D619,442 S 7/2010 Chen
 D648,610 S 11/2011 Paloheimo
 D656,378 S 3/2012 Islas
 D660,123 S 5/2012 Islas
 D664,823 S 8/2012 Pringnitz
 D688,110 S 8/2013 Frenkel
 D708,923 S 7/2014 Wingate
 D714,598 S 10/2014 Sandelin et al.
 D714,599 S 10/2014 Sandelin et al.
 D716,126 S 10/2014 Dahlberg et al.
 D737,651 S 9/2015 Masalin et al.
 D744,801 S 12/2015 Bruton et al.
 2006/0265883 A1 11/2006 Di Paolo

FOREIGN PATENT DOCUMENTS

EP 0 396 938 A1 11/1990
 FR 2732919 A1 10/1996

OTHER PUBLICATIONS

Office Action, U.S. Appl. No. 29/521,108, 6 pages (dated Jun. 29, 2016).
 U.S. Appl. No. 29/388,574, filed Mar. 30, 2011, Block et al.
 U.S. Appl. No. 29/414,264, filed Feb. 27, 2012, Masalin et al.
 U.S. Appl. No. 29/521,099, filed Mar. 19, 2015, Fiskars Garden OY AB.
 U.S. Appl. No. 29/521,102, filed Mar. 19, 2015, Fiskars Garden OY AB.
 U.S. Appl. No. 29/521,108, filed Mar. 19, 2015, Fiskars Garden OY AB.
 U.S. Appl. No. 29/533,650, filed Jul. 20, 2015, Masalin et al.
 U.S. Appl. No. 29/533,658, filed Jul. 20, 2015, Masalin et al.
 European Search Report for Application No. 12182146.6-2313, dated Nov. 20, 2012, 5 pages.
 Fiskars Garden and Camping Saw with belt clip, Wood Preparation Products, Fiskars UK, date retrieved May 18, 2012, 1 page.
 Fiskars Splitting Axe. Snagged Jun. 30, 2011 at <http://www.amazon.com/Fiskars-X25-7854-28-Inch-Splitting/dp/B00004SD7B>, 1 page.
 Notice of Allowance on U.S. Appl. No. 29/466,972, mail date Jun. 8, 2015, 7 pages.
 Notice of Allowance on U.S. Appl. No. 29/482,085, mail date May 27, 2014, 9 pages.
 Restriction Requirement on U.S. Appl. No. 29/466,972, mail date Mar. 25, 2015, 7 pages.
 US Office Action, U.S. Appl. No. 29/521,099, 7 pages (Apr. 8, 2016).

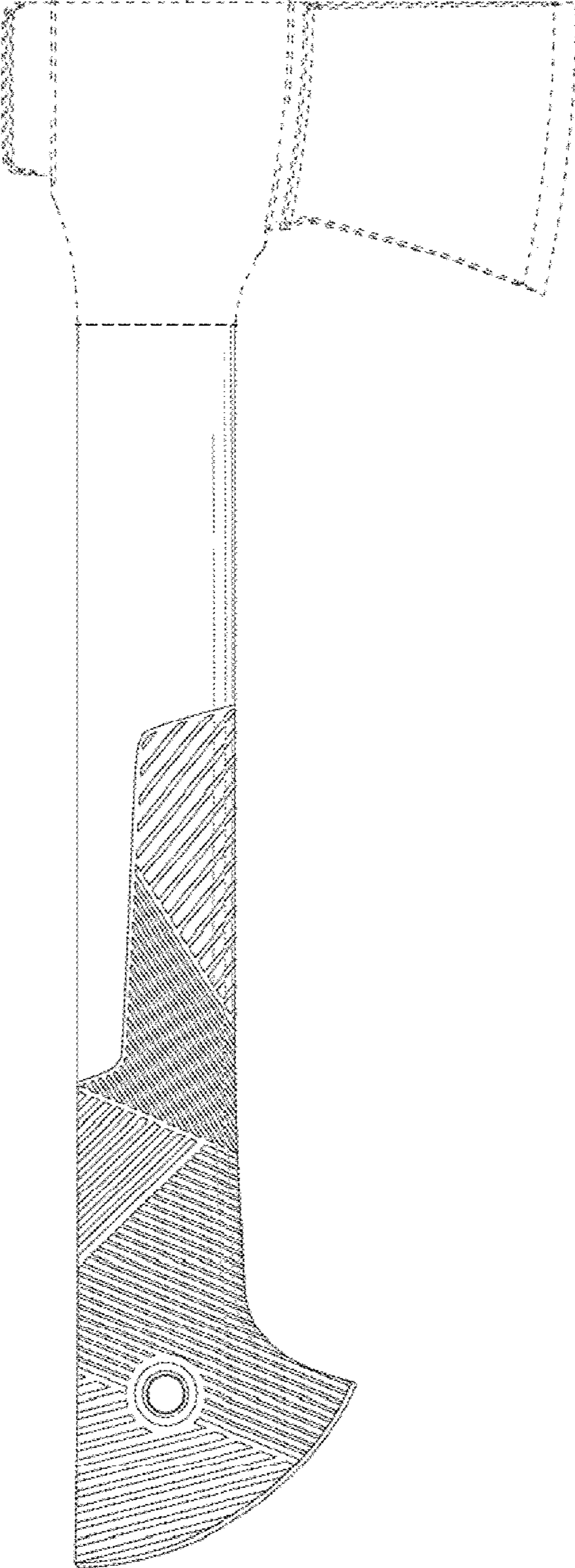


FIG. 1

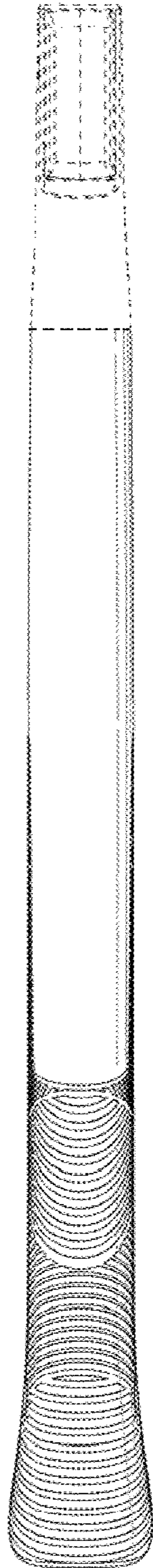


FIG. 2

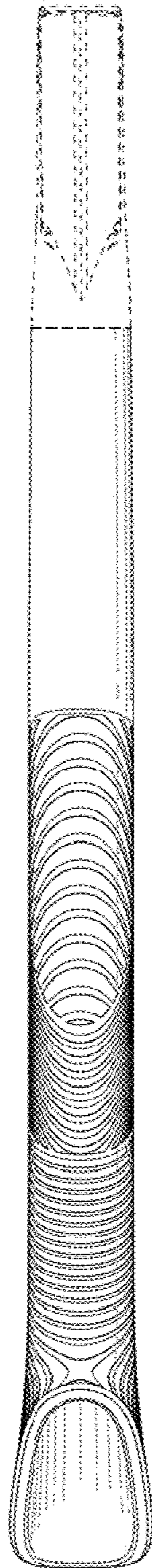


FIG. 3

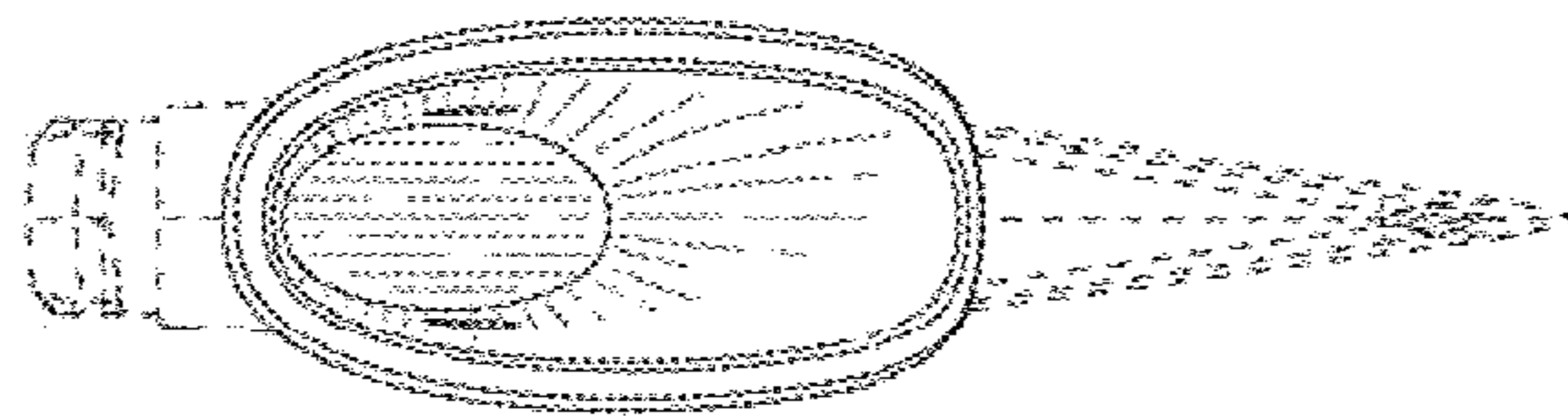


FIG. 4

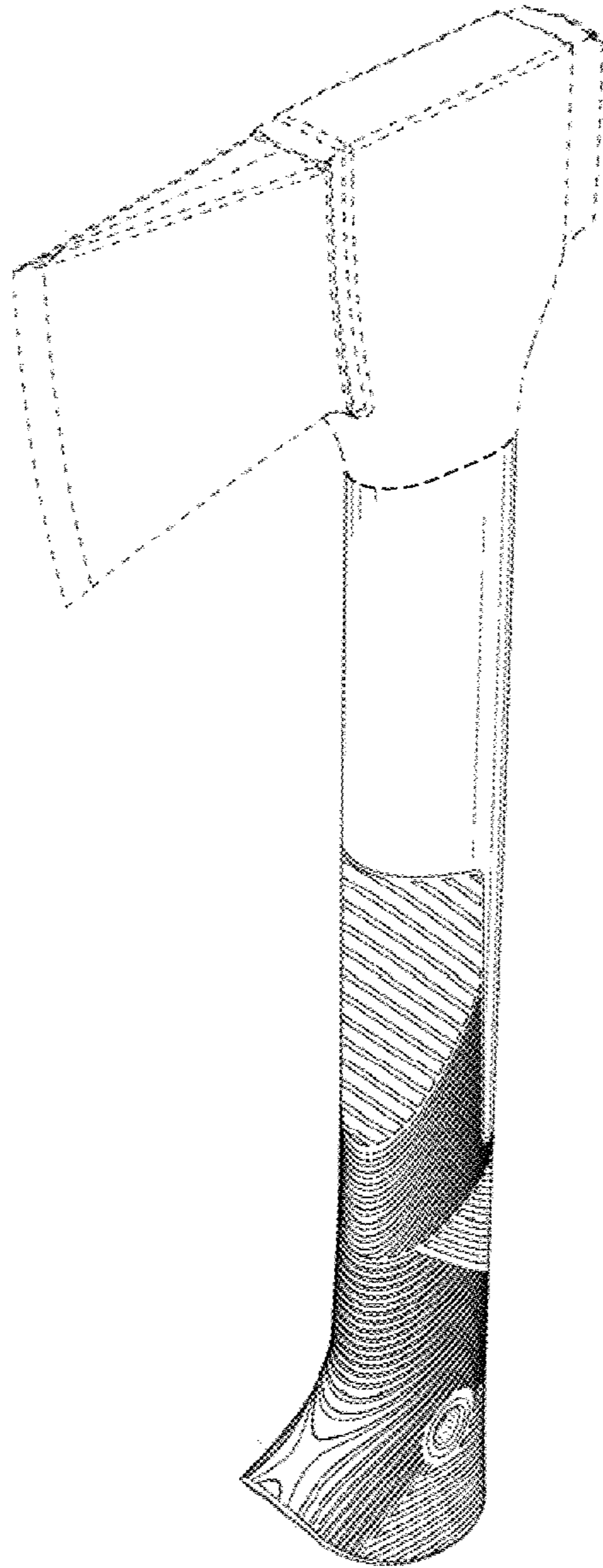


FIG. 5

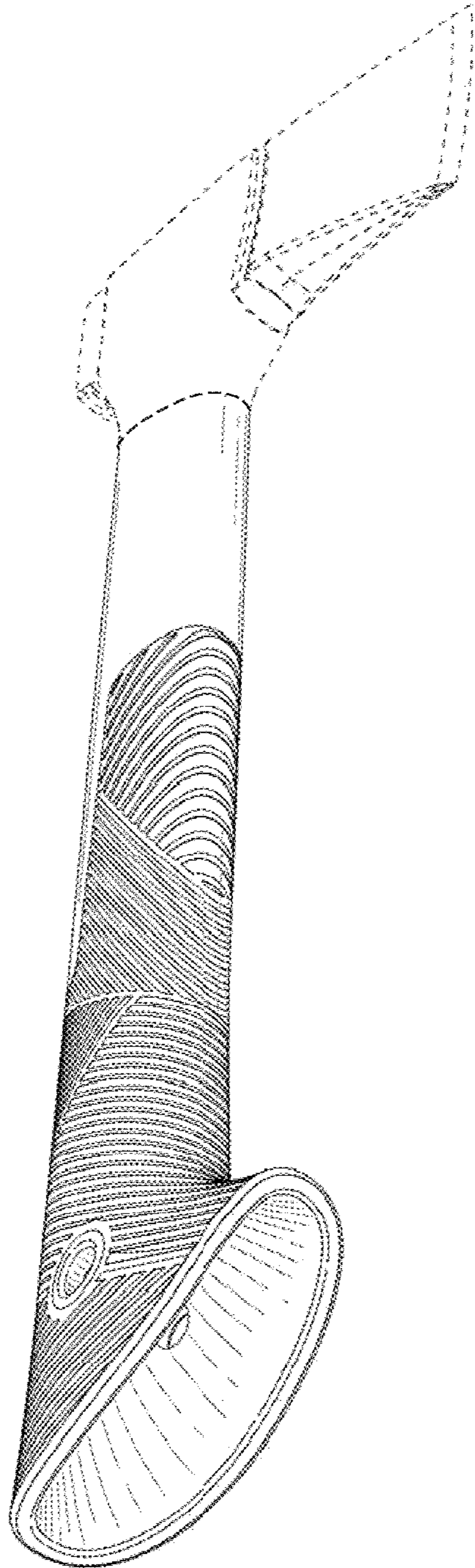


FIG. 6

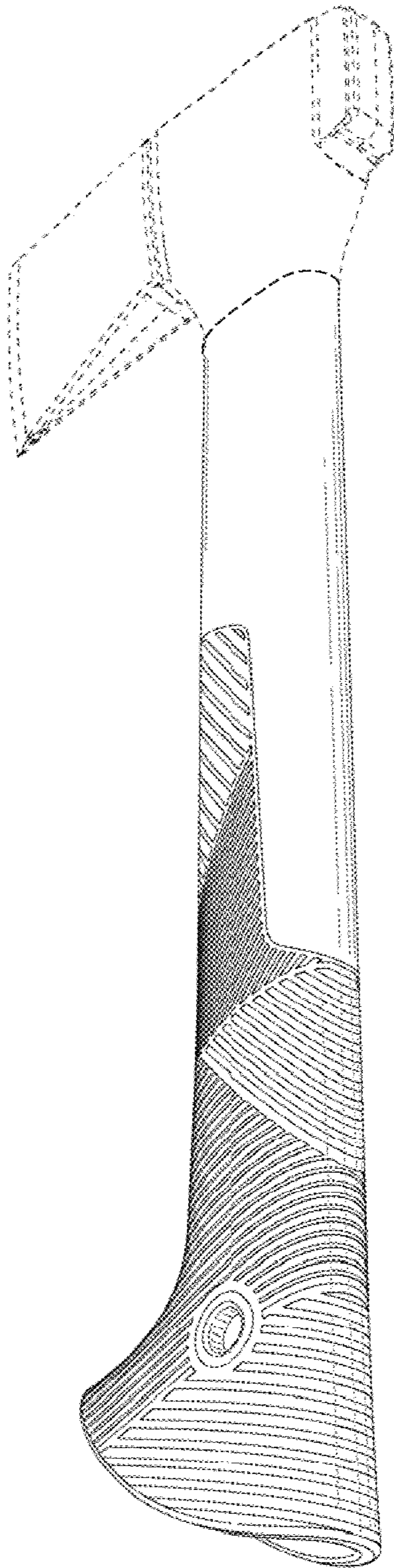


FIG. 7

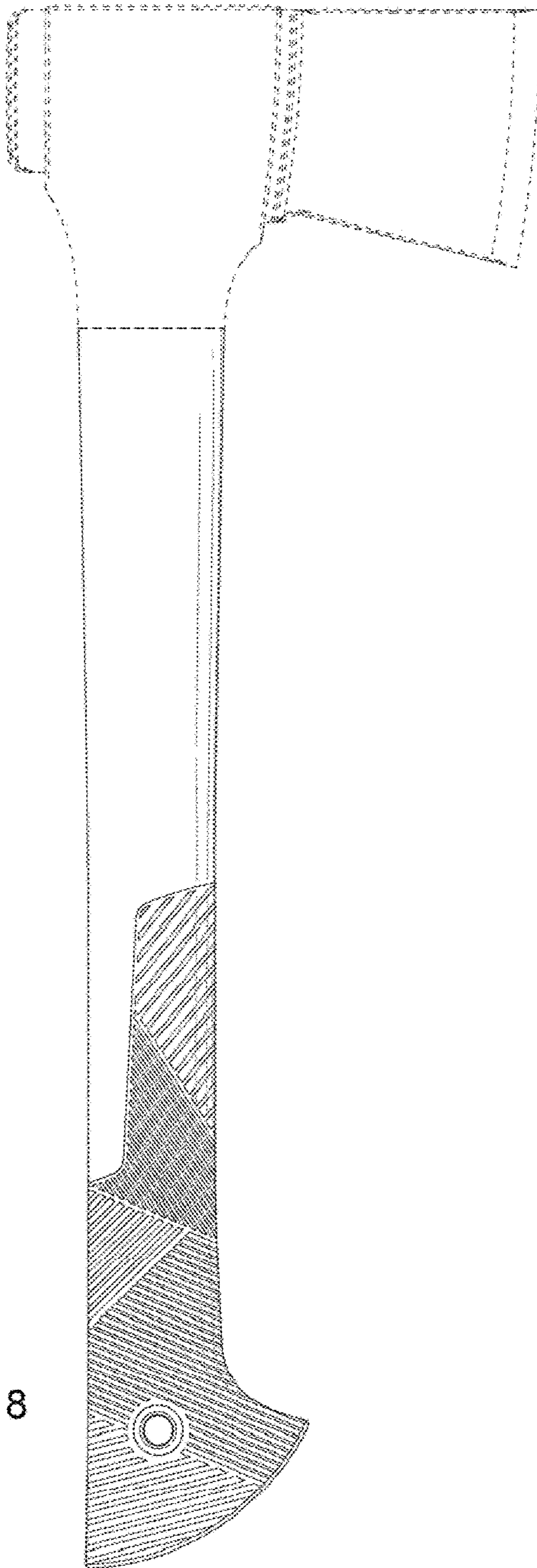


FIG. 8

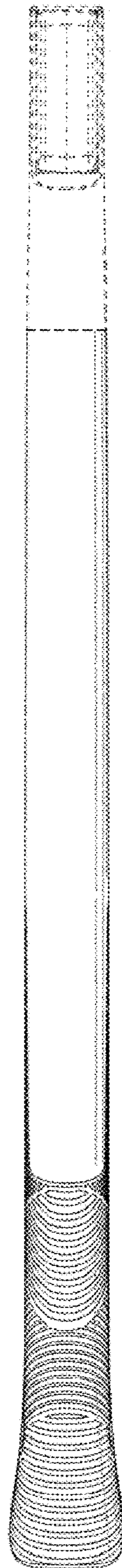


FIG. 9

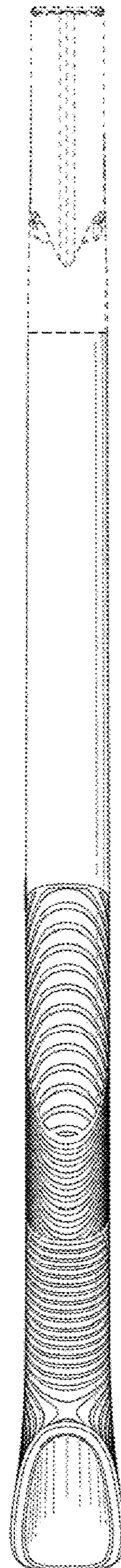


FIG. 10

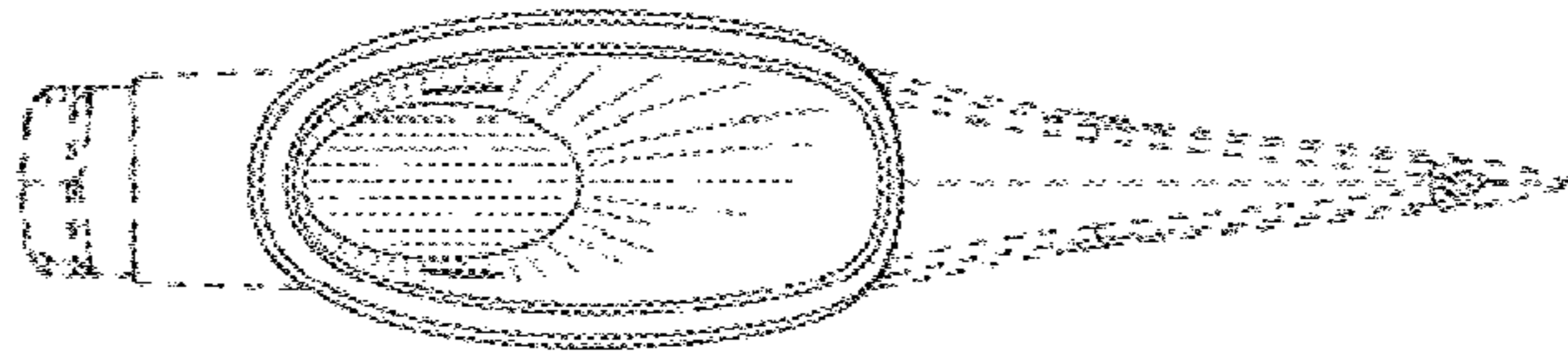


FIG. 11

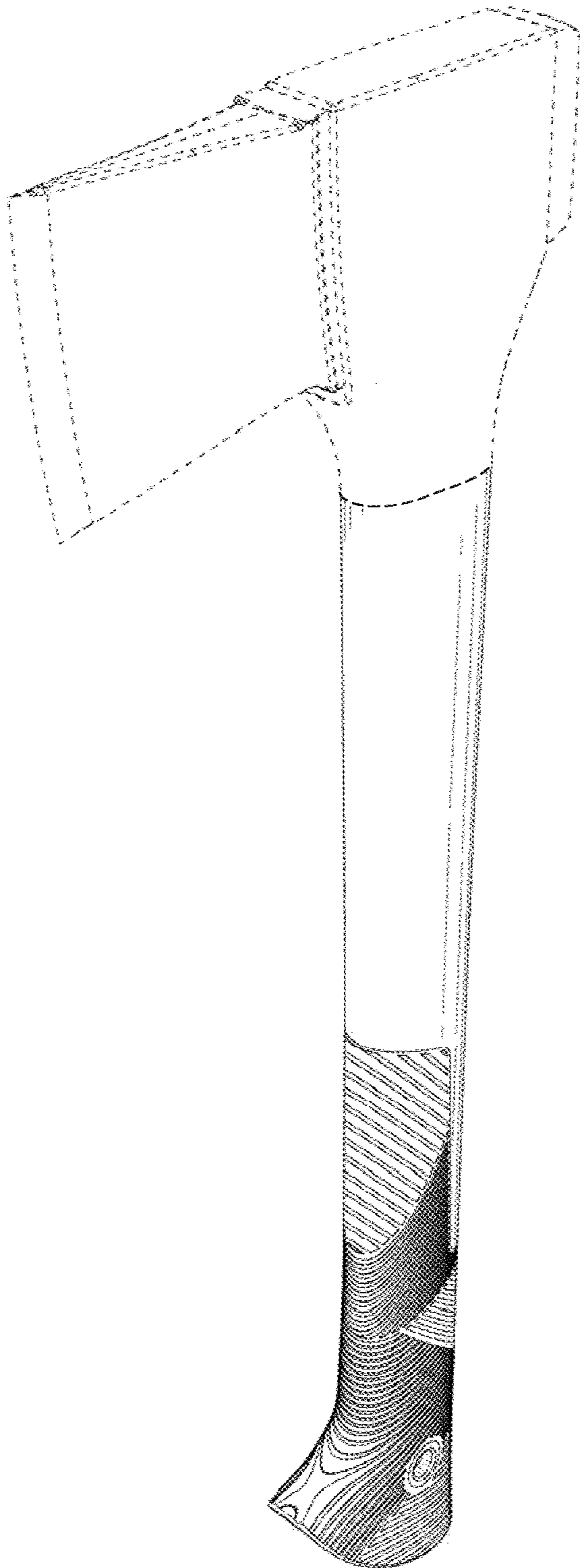


FIG. 12

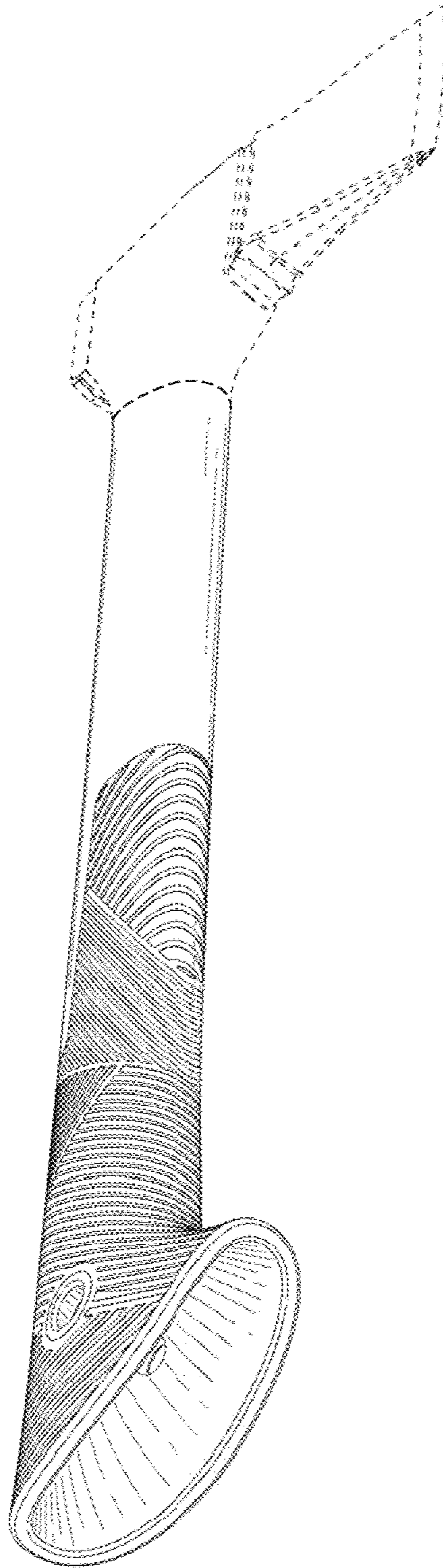


FIG. 13

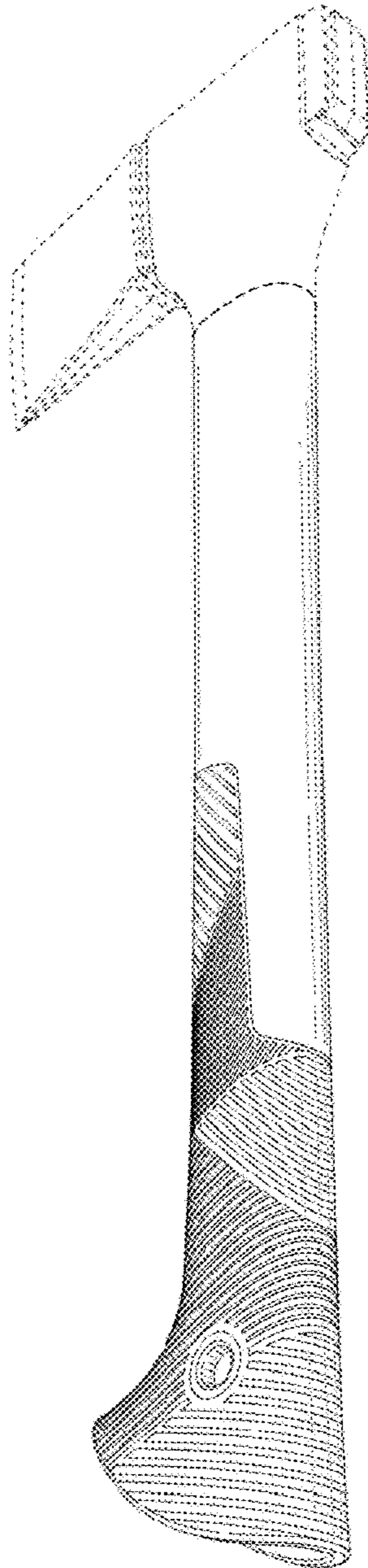


FIG. 14