



US00D799293S

(12) **United States Design Patent**
Chang

(10) **Patent No.:** **US D799,293 S**

(45) **Date of Patent:** **** Oct. 10, 2017**

- (54) **WRENCH**
- (71) Applicant: **Primaplus Industrial Co., Ltd.**,
Taichung (TW)
- (72) Inventor: **Jason Chang**, Taichung (TW)
- (73) Assignee: **Primaplus Industrial Co., Ltd.**,
Taichung (TW)

7,261,020 B2 * 8/2007 Hsieh B25B 13/065
81/121.1
D584,932 S * 1/2009 Chang D8/27
8,869,660 B2 * 10/2014 Hsieh B25B 13/04
81/119
D745,814 S * 12/2015 Hsieh D8/29
D749,384 S * 2/2016 Chang D8/25

(**) Term: **15 Years**

(21) Appl. No.: **29/575,030**

(22) Filed: **Aug. 22, 2016**

(51) **LOC (10) Cl.** **08-05**

(52) **U.S. Cl.**
USPC **D8/28; D8/27**

(58) **Field of Classification Search**
USPC D8/17, 21, 27, 28, 29; 81/58, 58.2, 119,
81/124.2, 124.4, 125.1, 186, 121.1
CPC B25B 13/02; B25B 13/08; B25B 13/04;
B25B 13/065; B25B 13/06
See application file for complete search history.

(56) **References Cited**

U.S. PATENT DOCUMENTS

D443,189 S * 6/2001 Li-Chen D8/28
D528,383 S * 9/2006 Albertson D8/28

* cited by examiner

Primary Examiner — Randall Gholson

(74) *Attorney, Agent, or Firm* — Alan D. Kamrath;
Kamrath IP Lawfirm, P.A.

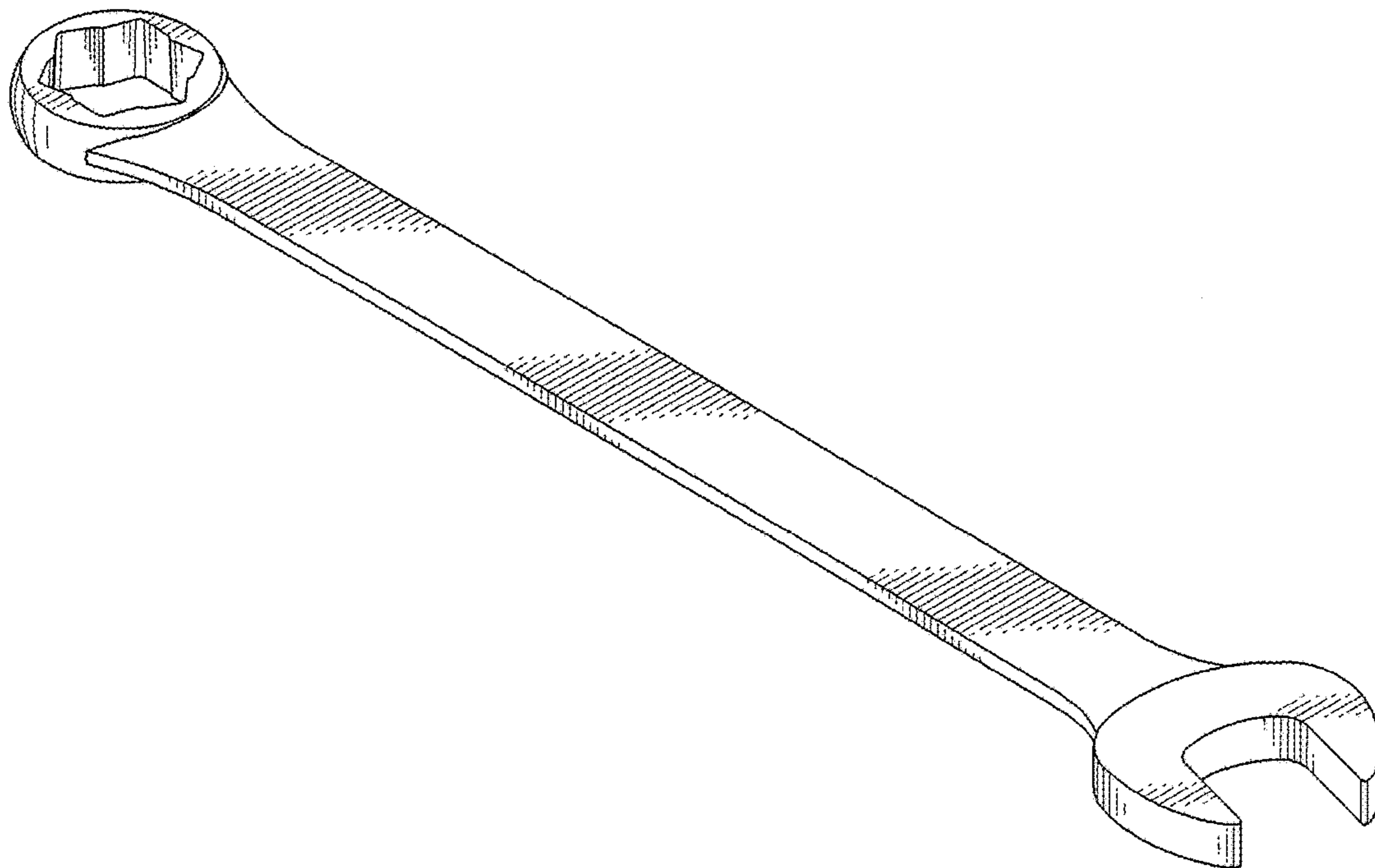
(57) **CLAIM**

The ornamental design for a wrench, as shown and described.

DESCRIPTION

FIG. 1 is a perspective view of a wrench showing my design;
FIG. 2 is a front elevational view thereof;
FIG. 3 is a rear elevational view thereof;
FIG. 4 is a left side elevational view thereof;
FIG. 5 is a right side elevational view thereof;
FIG. 6 is a top plan view thereof; and,
FIG. 7 is a bottom plan view thereof.

1 Claim, 4 Drawing Sheets



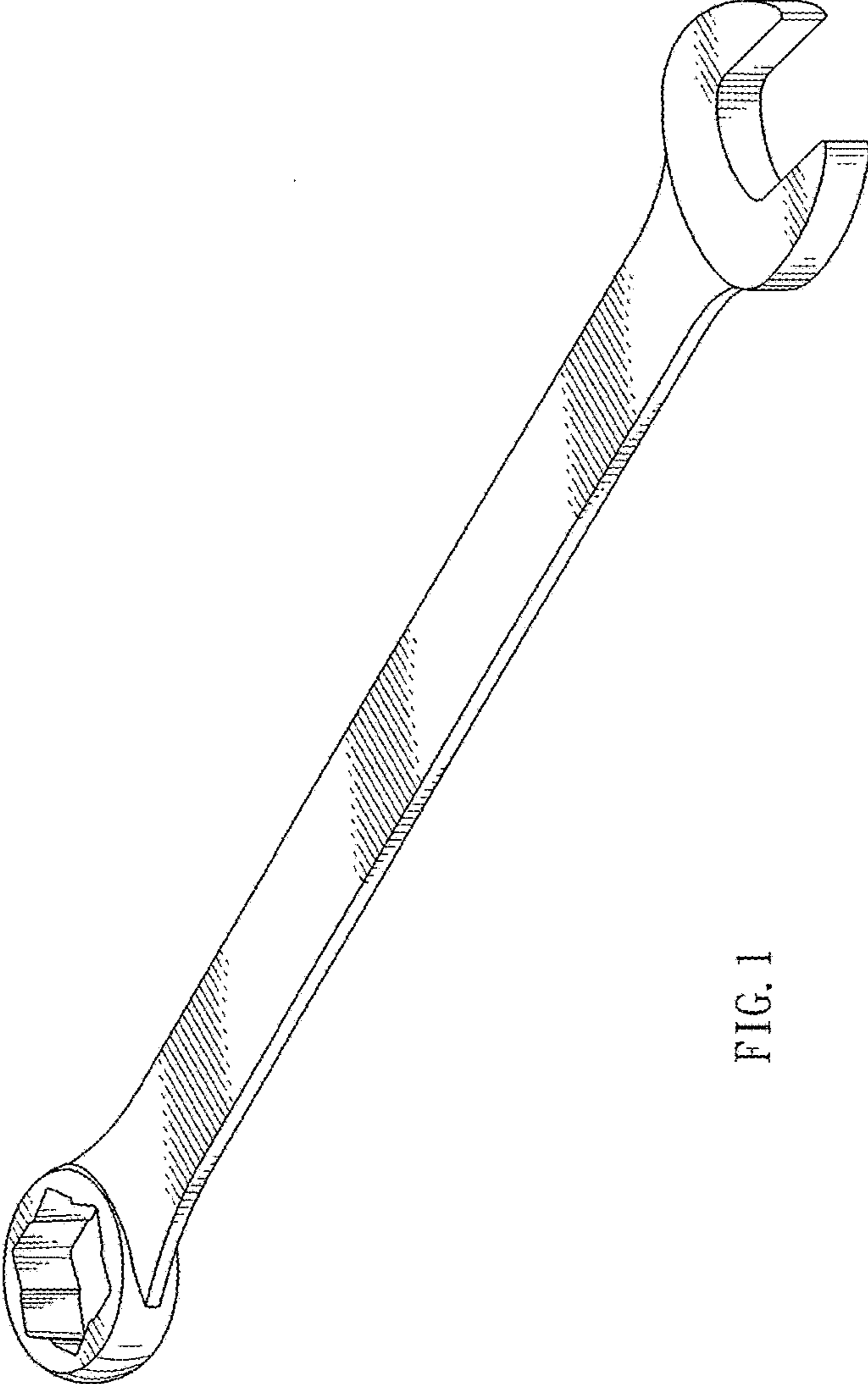


FIG. 1



FIG. 2



FIG. 3

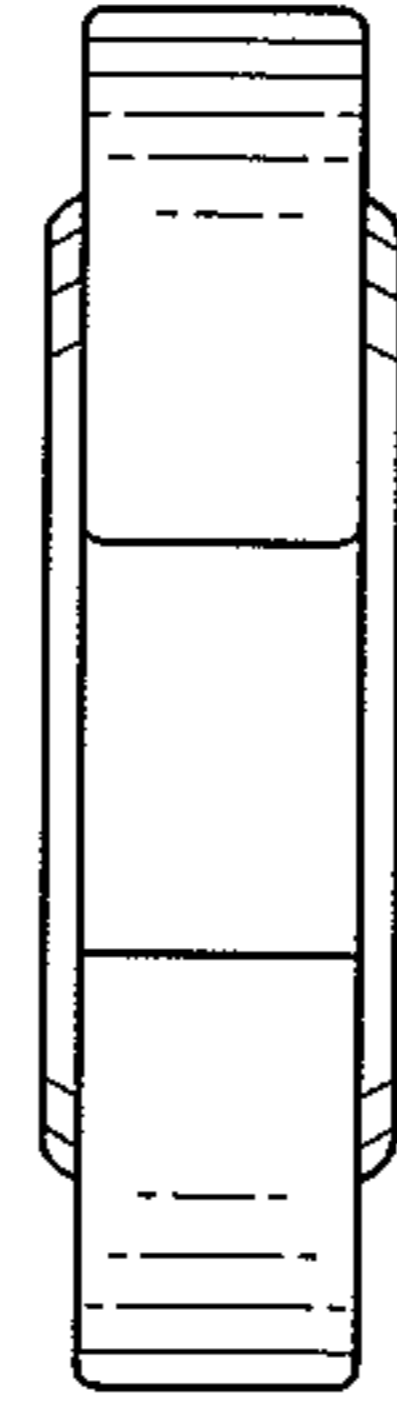


FIG. 5

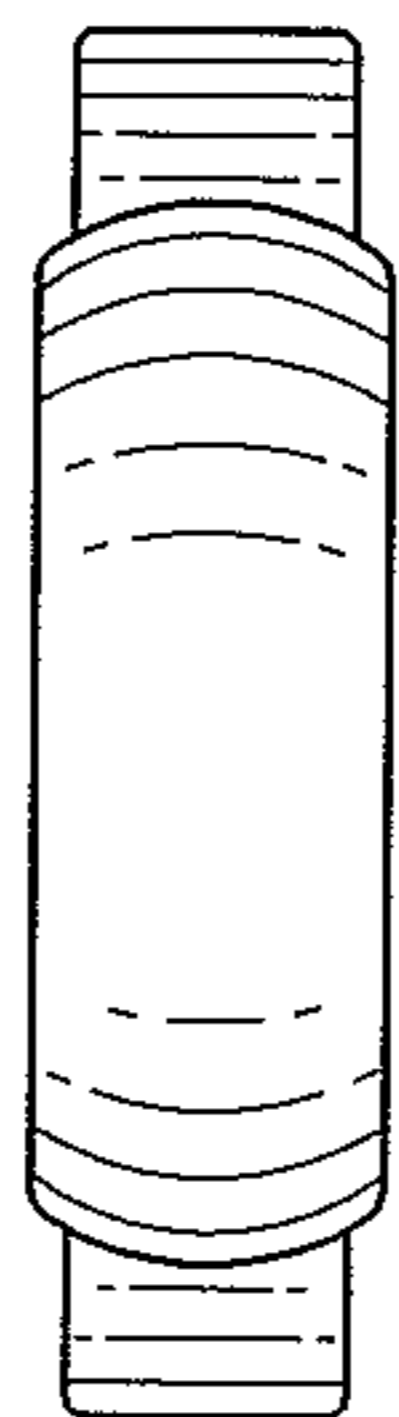


FIG. 4

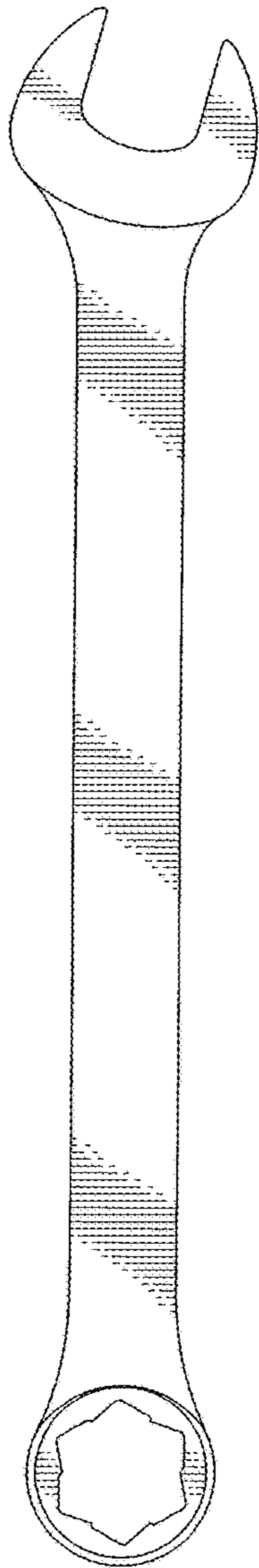


FIG. 6

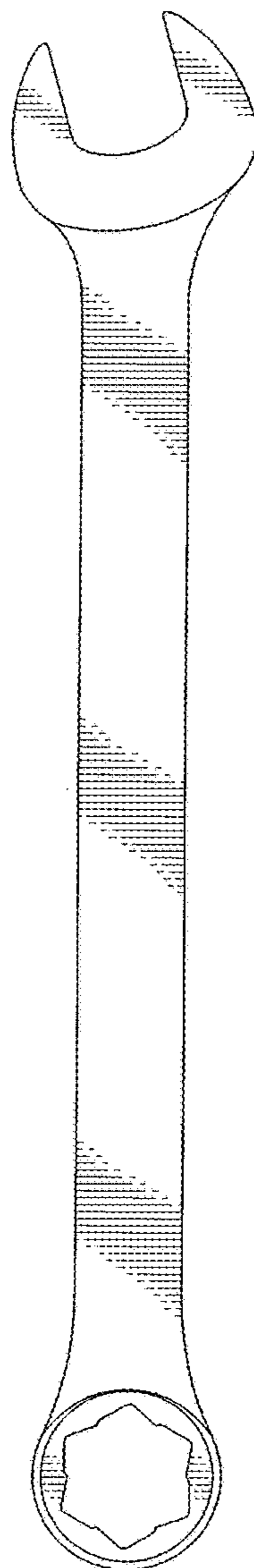


FIG. 7