



US00D799292S

(12) **United States Design Patent**
Wang

(10) **Patent No.:** **US D799,292 S**

(45) **Date of Patent:** **** Oct. 10, 2017**

- (54) **WRENCH**
- (71) Applicant: **Compass Corporation**, Tainan (TW)
- (72) Inventor: **Tzu-Chien Wang**, Tainan (TW)
- (73) Assignee: **Compass Corporation**, Tainan (TW)
- (**) Term: **15 Years**
- (21) Appl. No.: **29/569,911**
- (22) Filed: **Jul. 1, 2016**
- (51) **LOC (10) Cl.** **08-05**
- (52) **U.S. Cl.**
USPC **D8/25**
- (58) **Field of Classification Search**
USPC D8/17, 21-29; 81/58, 58.2, 119, 124.2,
81/124.4, 125.1, 186
CPC B25B 13/02; B25B 13/08; B25B 13/04;
B25B 13/065
See application file for complete search history.

D623,031 S *	9/2010	Johnson	D8/25
D658,461 S *	5/2012	Wang	D8/25
D660,666 S *	5/2012	Chang	D8/25
D665,239 S *	8/2012	Tillet	D8/25
D722,847 S *	2/2015	Lin	D8/25
D729,024 S *	5/2015	Lin	D8/25

* cited by examiner

Primary Examiner — Randall Gholson
(74) *Attorney, Agent, or Firm* — Alan D. Kamrath;
Kamrath IP Lawfirm, P.A.

(57) **CLAIM**

The ornamental design for a wrench, as shown and described.

DESCRIPTION

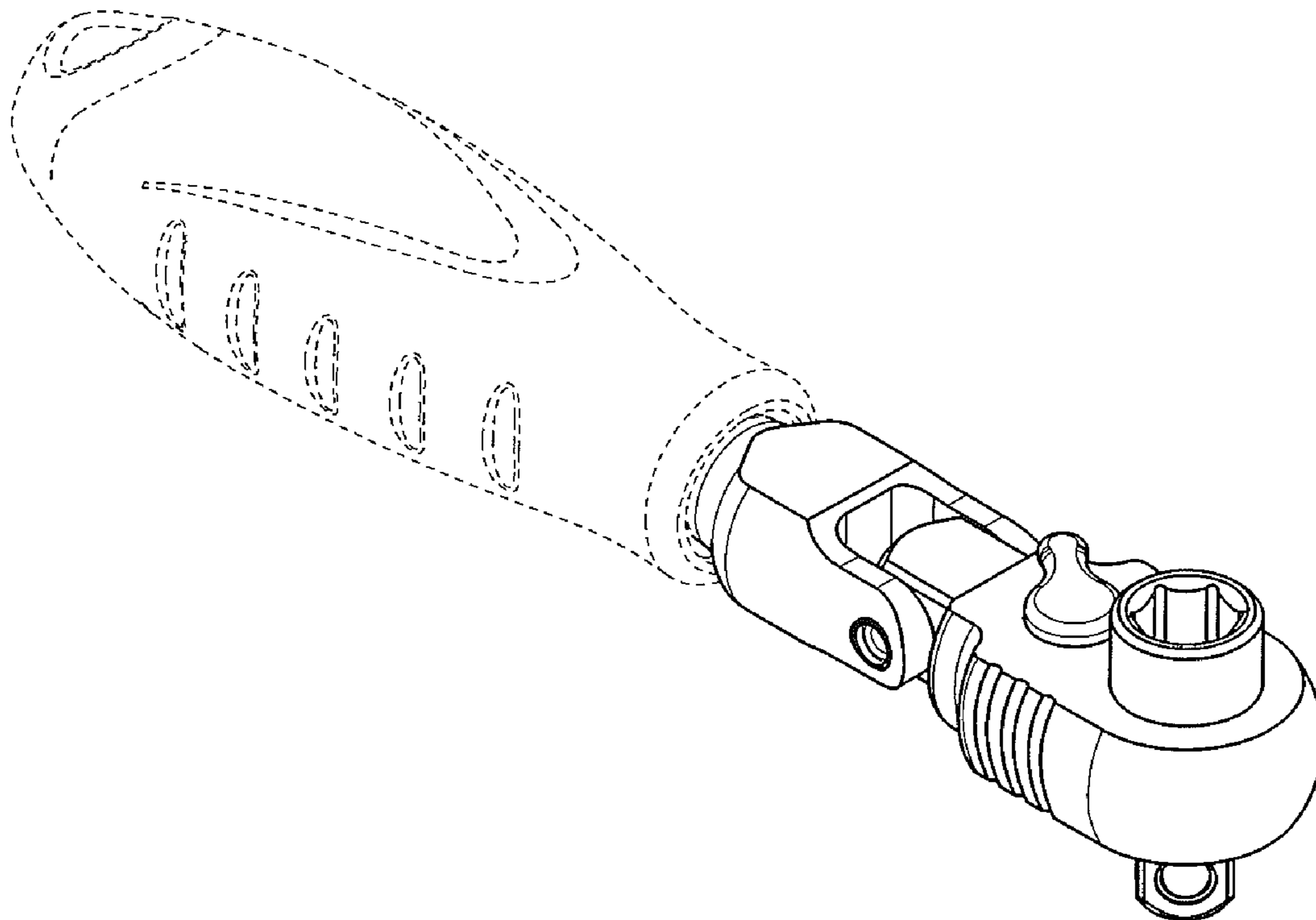
FIG. 1 is a perspective view of the wrench showing my new design;
FIG. 2 is a front elevation view thereof;
FIG. 3 is a rear elevation view thereof;
FIG. 4 is a left side elevation view thereof;
FIG. 5 is a right side elevation view thereof;
FIG. 6 is a top plan view thereof; and
FIG. 7 is a bottom plan view thereof; and
FIG. 8 is a view of use status thereof.
The broken lines shown in the drawings show unclaimed subject matter only and form no part of the claimed design.

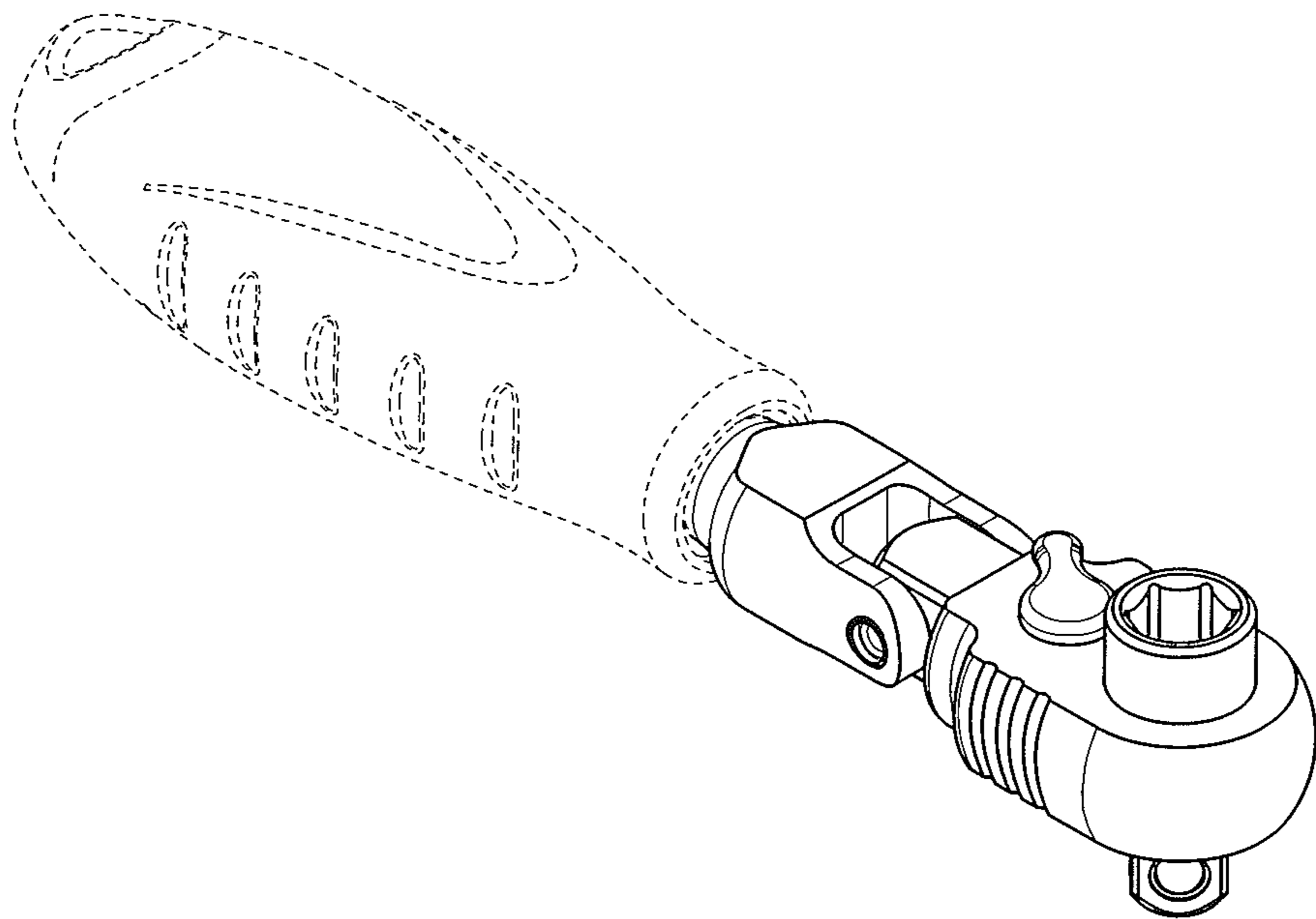
1 Claim, 8 Drawing Sheets

(56) **References Cited**

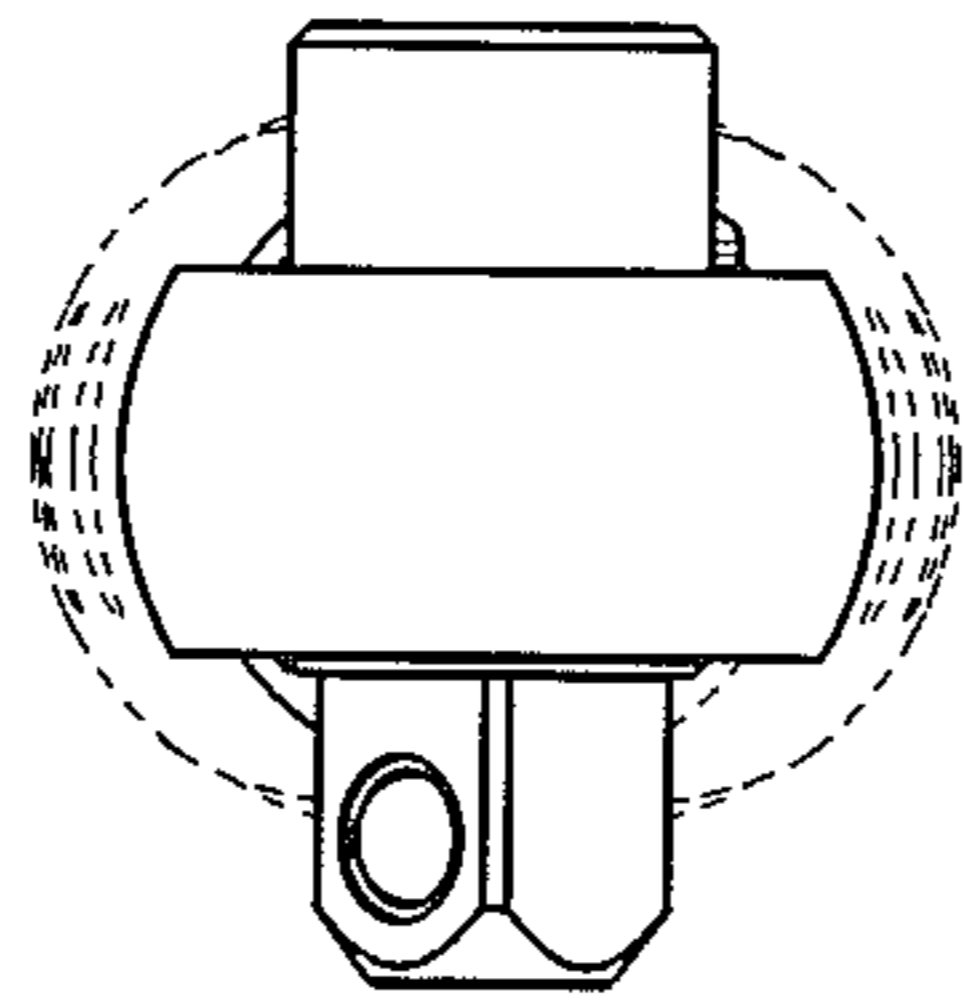
U.S. PATENT DOCUMENTS

D404,318 S *	1/1999	Slowinski	D10/32
D603,234 S *	11/2009	Lin	D8/25

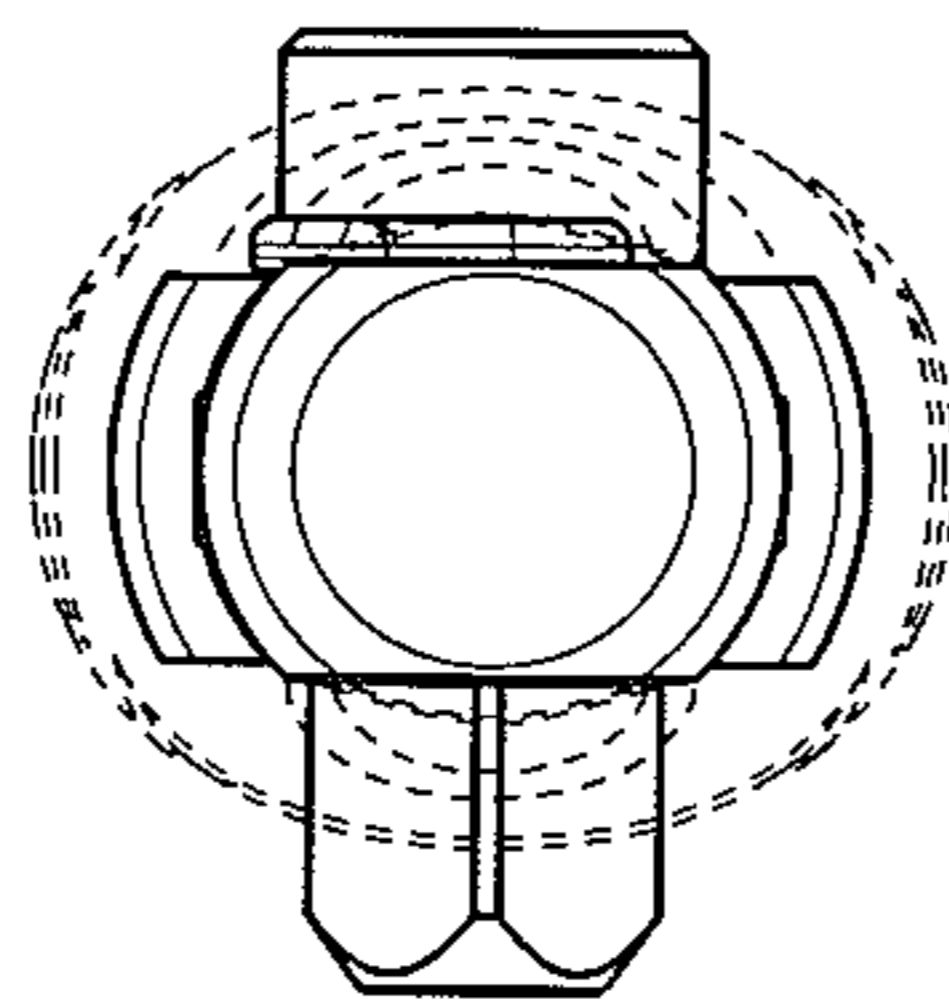




F I G . 1



F I G . 2



F I G . 3

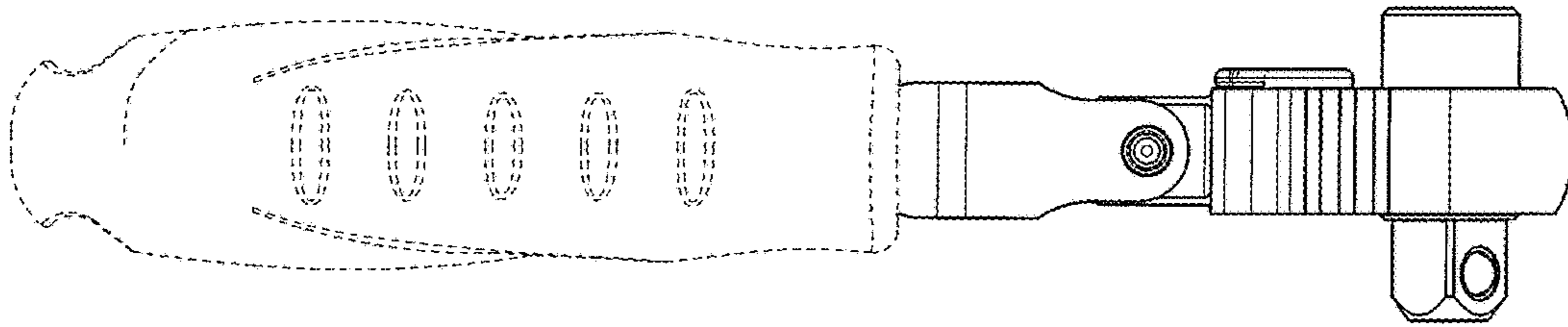


FIG. 4

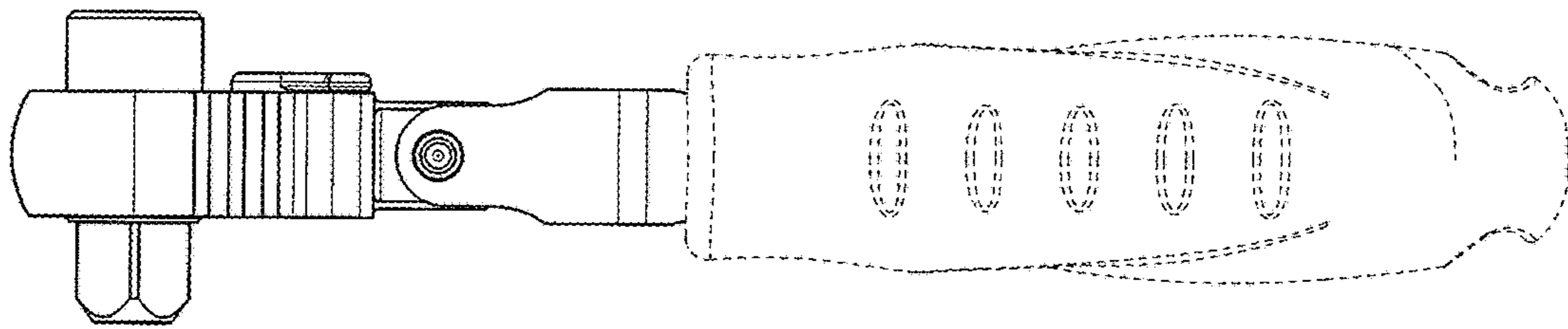
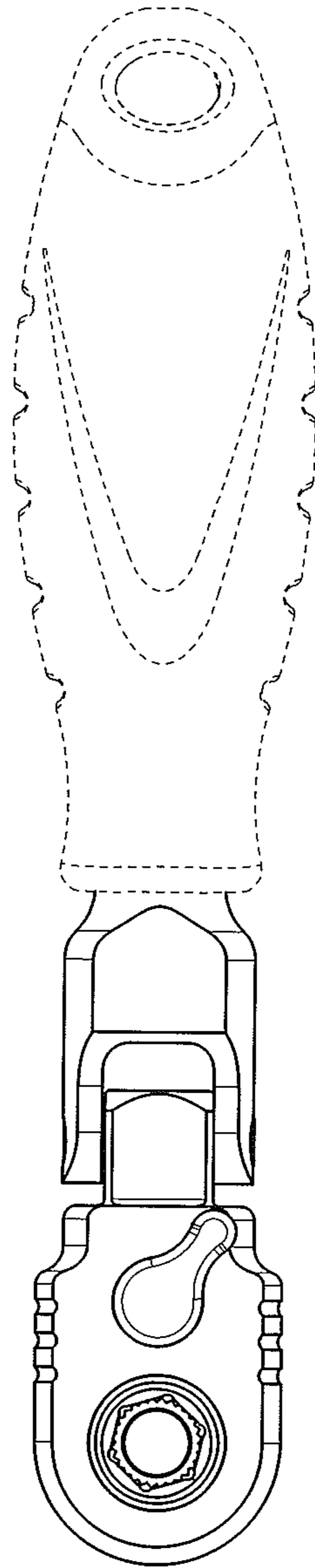


FIG. 5



F I G . 6

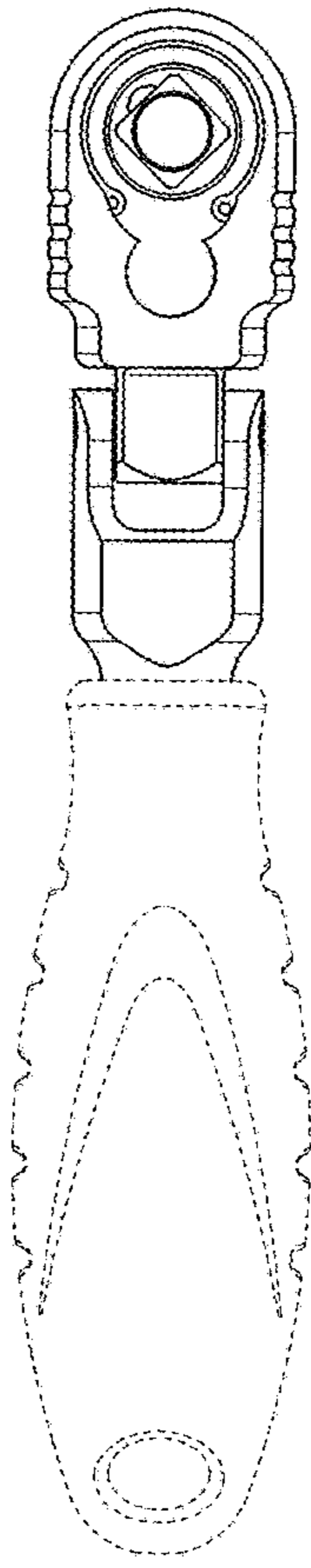
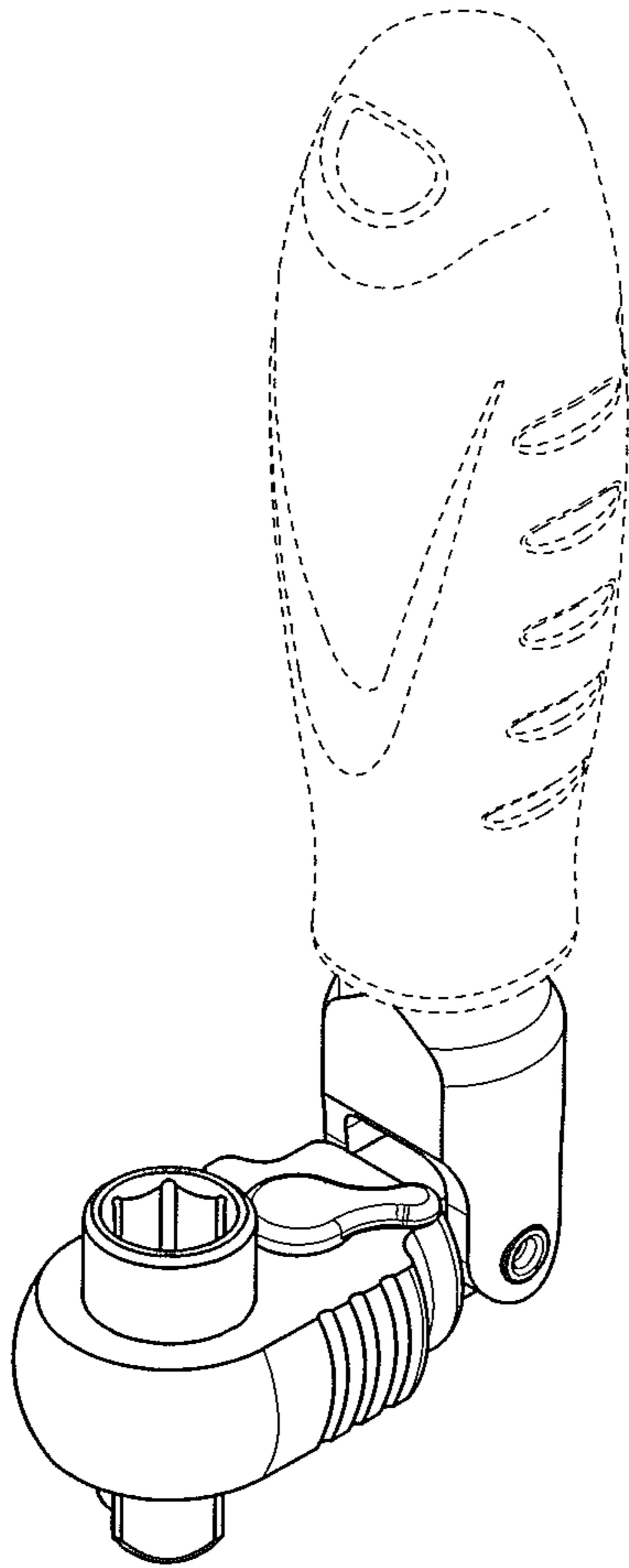


FIG. 7



F I G . 8