



US00D799291S

(12) **United States Design Patent**  
**Naglapura**

(10) **Patent No.:** **US D799,291 S**

(45) **Date of Patent:** **\*\* Oct. 10, 2017**

(54) **EXTRACTOR HAMMER**

8,113,094 B1 \* 2/2012 Brackbill ..... B25B 15/00  
7/138

(71) Applicant: **Shukla Medical**, Piscataway, NJ (US)

\* cited by examiner

(72) Inventor: **Subramanya Naglapura**, Princeton, NJ (US)

*Primary Examiner* — Randall Gholson

(74) *Attorney, Agent, or Firm* — Kim Winston LLP

(73) Assignee: **Shukla Medical**, Piscataway, NJ (US)

(57) **CLAIM**

(\*\*) Term: **15 Years**

The ornamental design for an extractor hammer, as shown and described.

(21) Appl. No.: **29/572,621**

**DESCRIPTION**

(22) Filed: **Jul. 28, 2016**

(51) **LOC (10) Cl.** ..... **08-05**

(52) **U.S. Cl.**  
USPC ..... **D8/21; D8/75**

(58) **Field of Classification Search**  
USPC ..... D8/17, 21–29, 40, 75; 81/58, 58.2, 119,  
81/124.2, 124.4, 125.1, 186  
CPC ..... B25B 13/02; B25B 13/08; B25B 13/04;  
B25B 13/065  
See application file for complete search history.

FIG. 1 is a perspective view of an extractor hammer in accordance with the new design;

FIG. 2 is a right side view of the extractor hammer of FIG. 1;

FIG. 3 is a left side view of the extractor hammer of FIG. 1;

FIG. 4 is a front view of the extractor hammer of FIG. 1;

FIG. 5 is a rear view of the extractor hammer of FIG. 1;

FIG. 6 is a top plan view of the extractor hammer of FIG. 1; and,

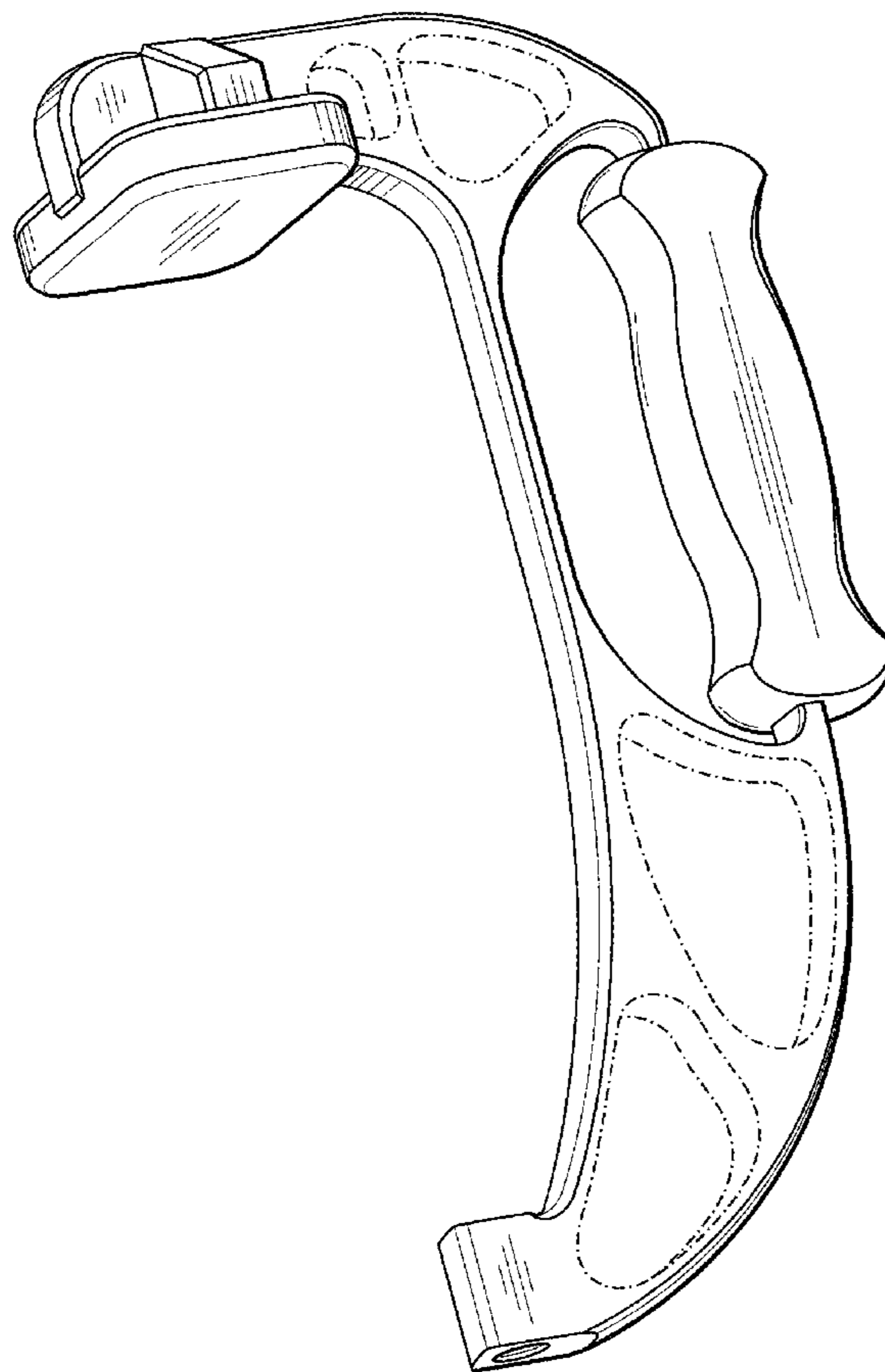
FIG. 7 is a bottom plan view of the extractor hammer of FIG. 1.  
The broken lines in FIGS. 1-7 illustrate portions of the extractor hammer which form no part of the claimed design.

(56) **References Cited**

**U.S. PATENT DOCUMENTS**

D304,992 S \* 12/1989 Matthies ..... D8/40

**1 Claim, 5 Drawing Sheets**



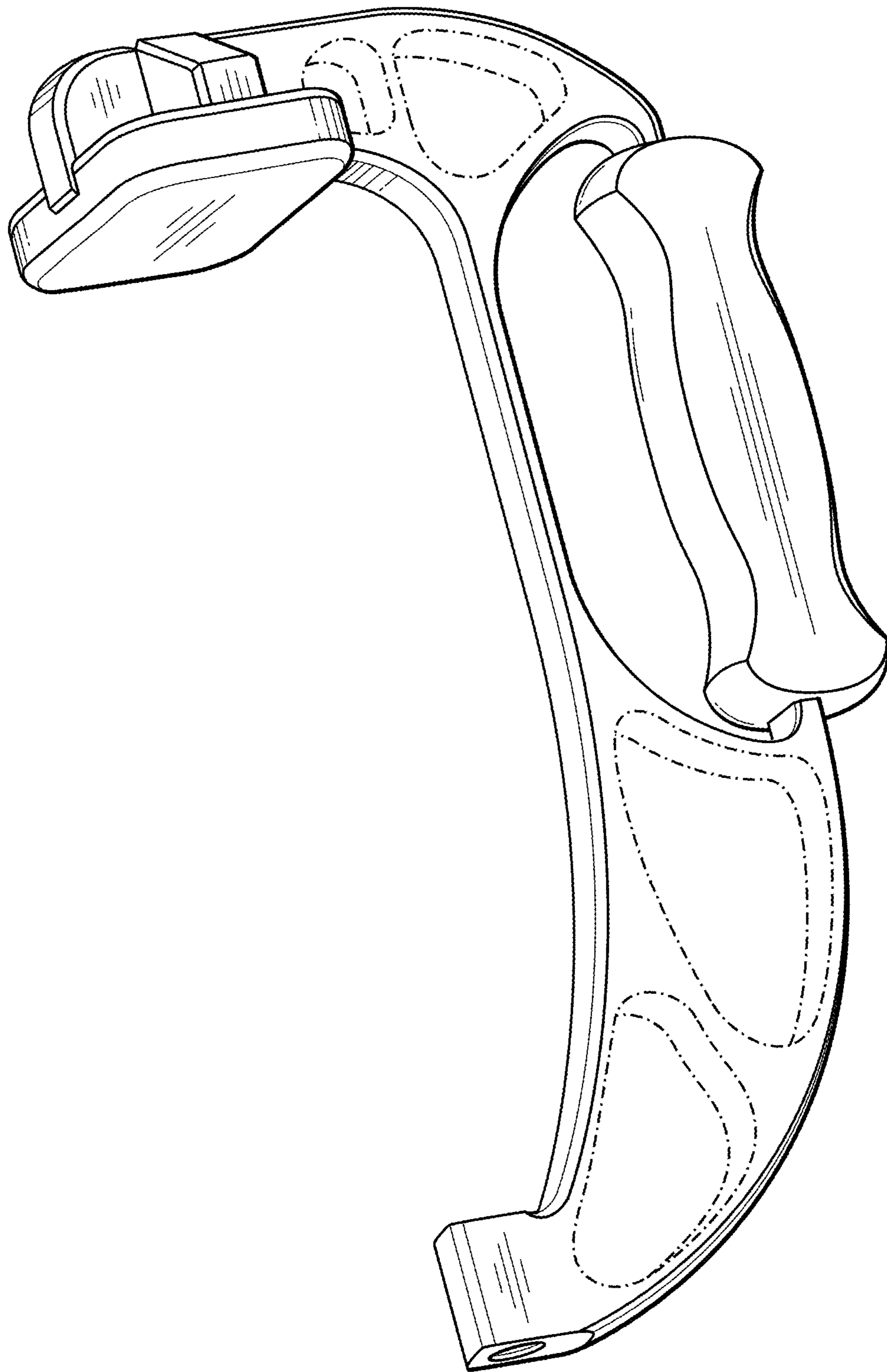


FIG. 1

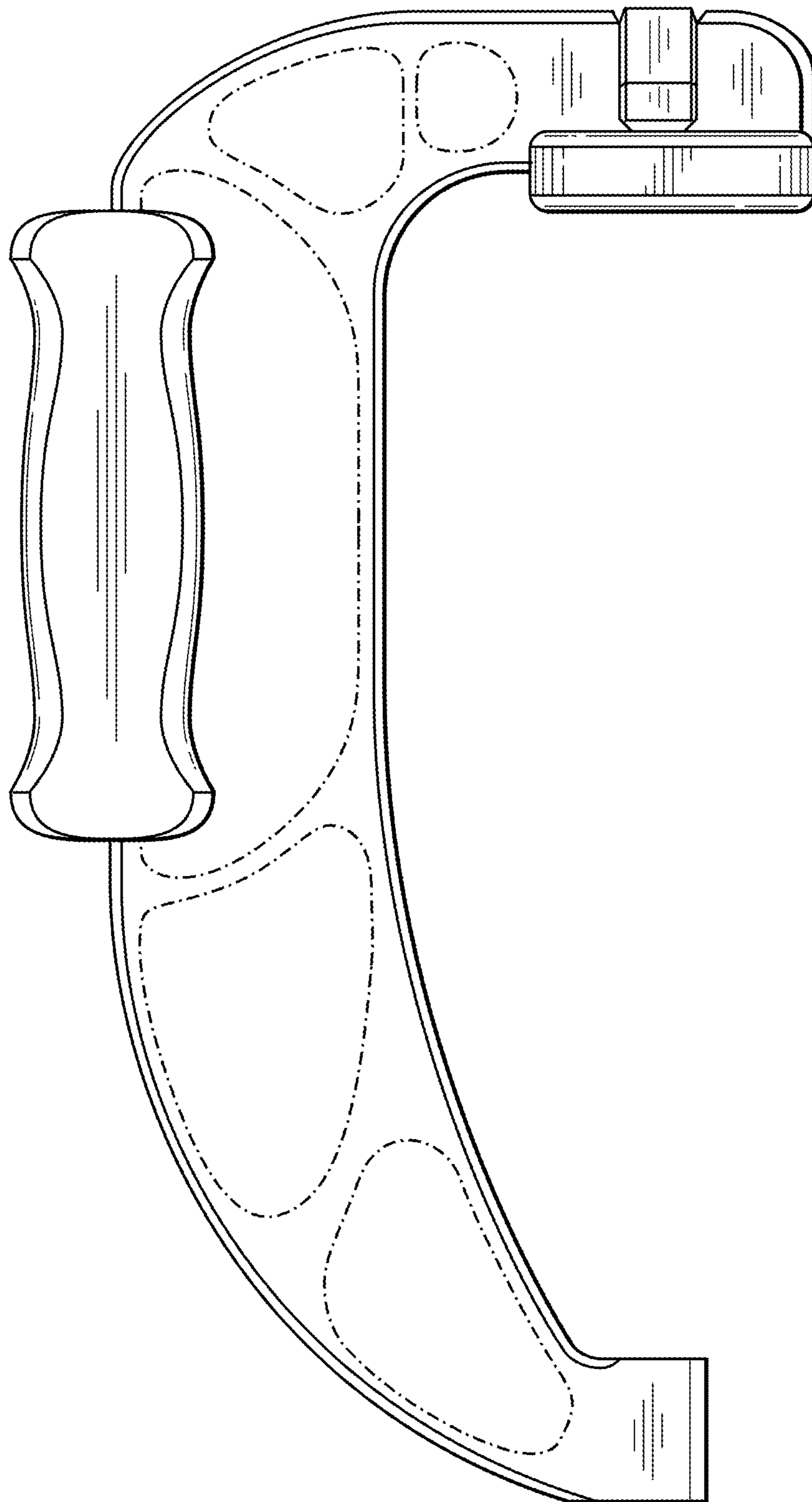


FIG. 2

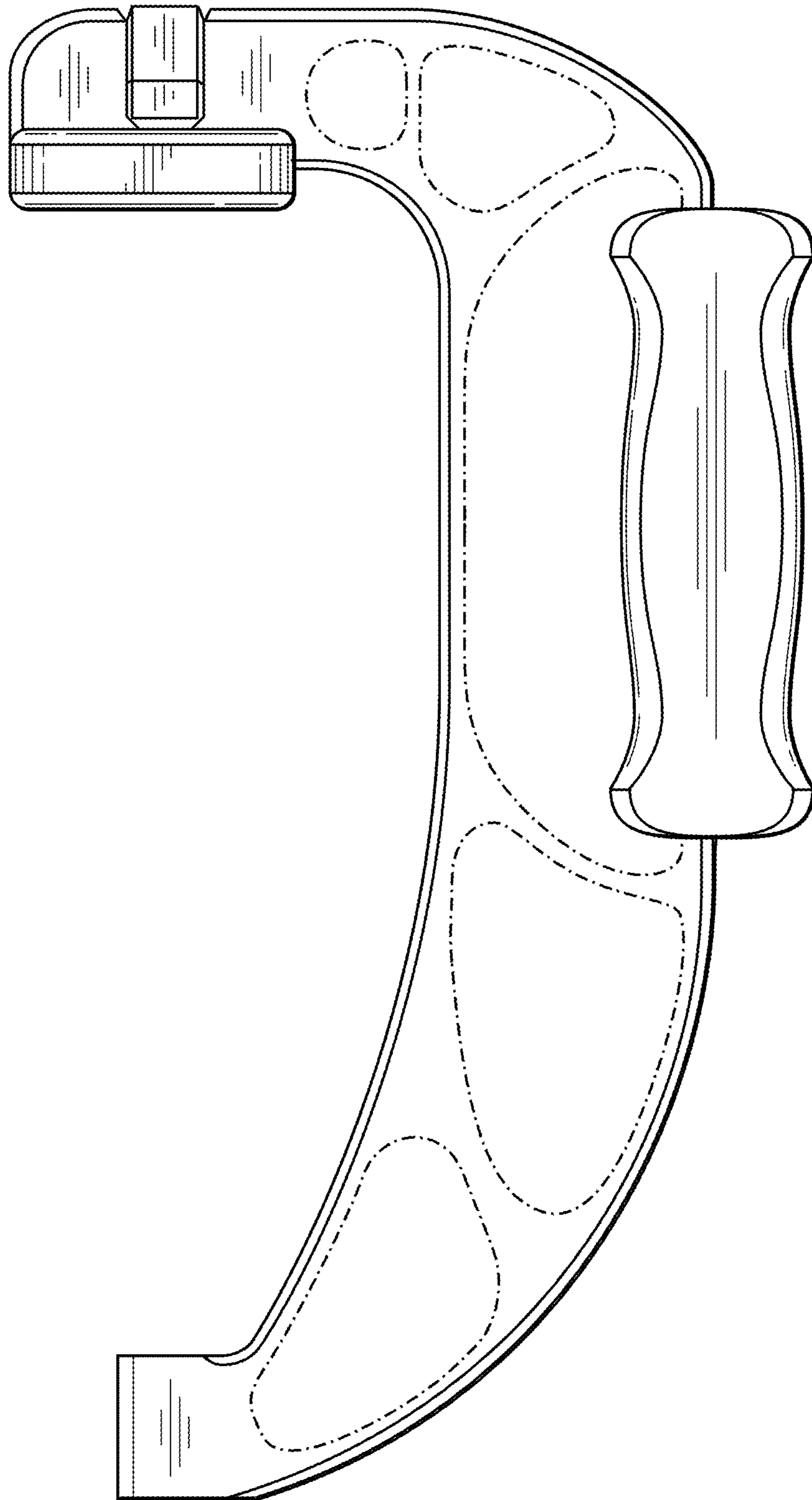


FIG. 3

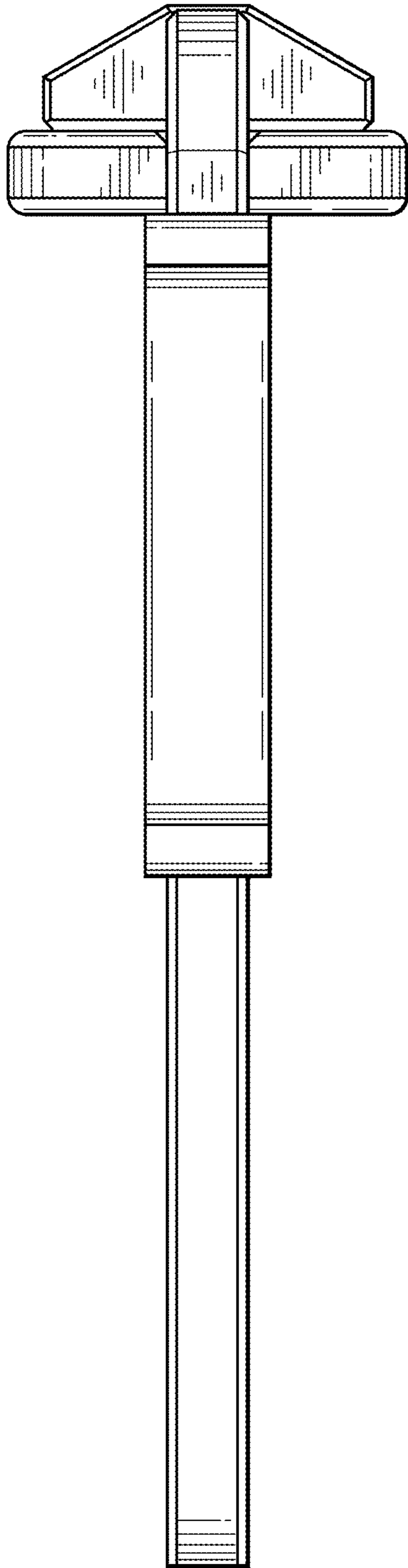


FIG. 4

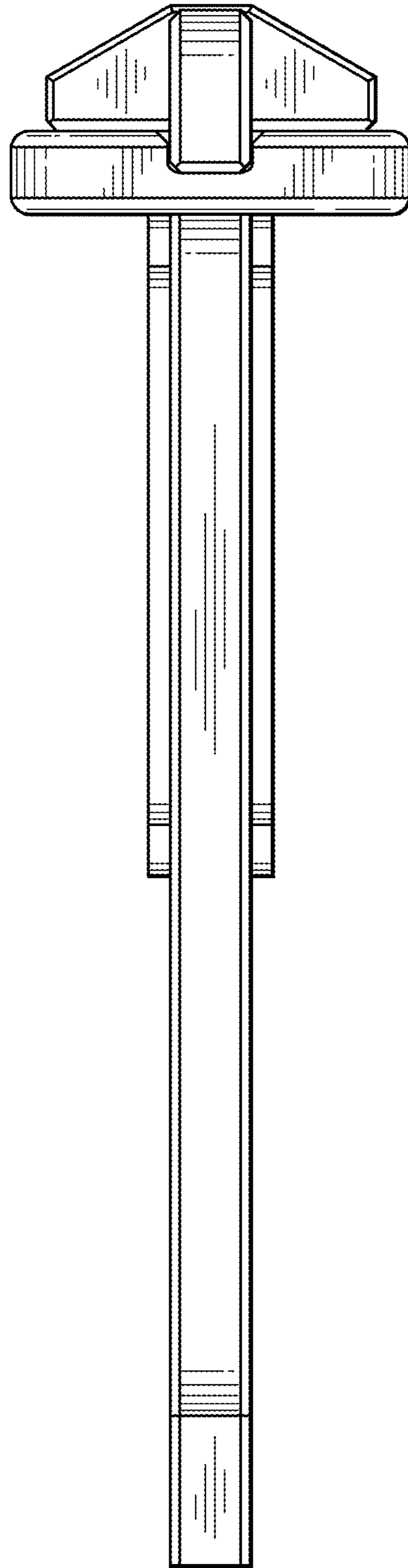


FIG. 5

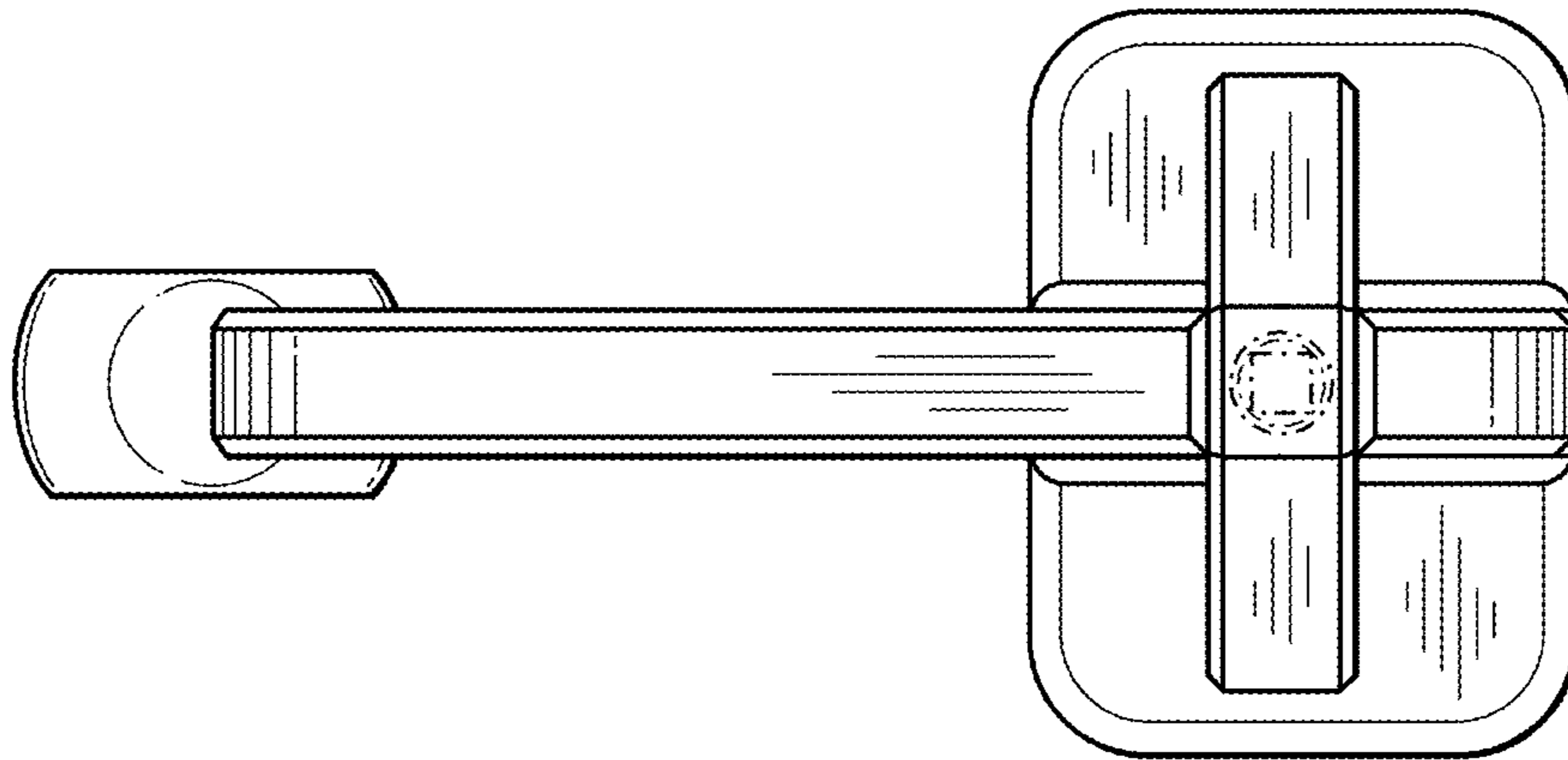


FIG. 6

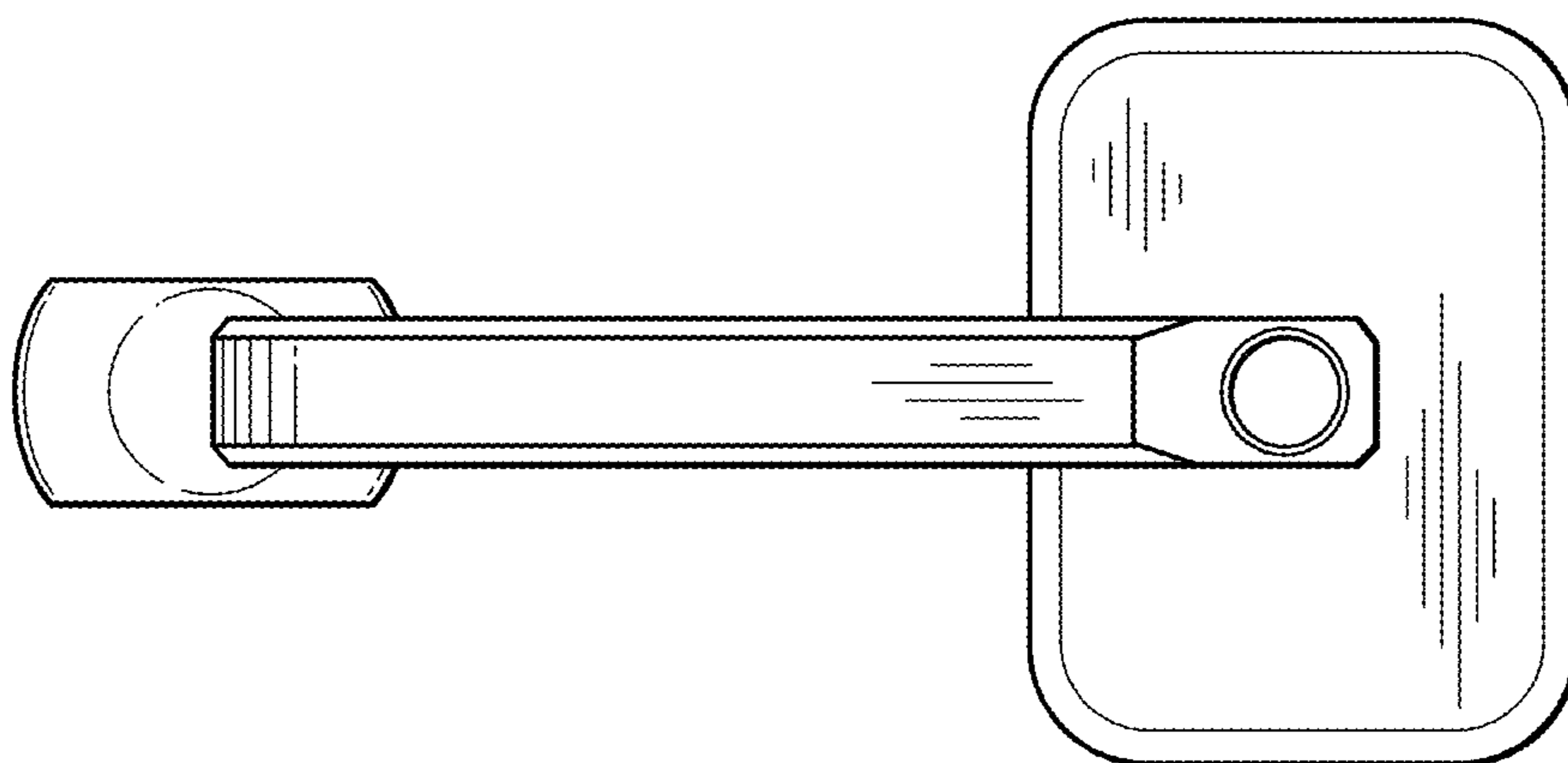


FIG. 7