



US00D799290S

(12) **United States Design Patent**  
**Hyust et al.**

(10) **Patent No.:** **US D799,290 S**  
(45) **Date of Patent:** **\*\* Oct. 10, 2017**

(54) **WRENCH HEAD**

(71) Applicant: **KIRK WRENCH LLC**, Canton, OH (US)

(72) Inventors: **Kirk W. Hyust**, Canton, OH (US);  
**Karl H. Beitzel**, Canton, OH (US)

(73) Assignee: **KIRK WRENCH LLC**, Canton, OH (US)

(\*\*) Term: **15 Years**

(21) Appl. No.: **29/571,939**

(22) Filed: **Jul. 22, 2016**

(51) **LOC (10) Cl.** ..... **08-05**

(52) **U.S. Cl.**  
USPC ..... **D8/21; D8/25**

(58) **Field of Classification Search**  
USPC ..... D8/17, 21-29; 81/58, 58.2, 119, 124.2,  
81/124.4, 125.1, 186  
CPC ..... B25B 13/02; B25B 13/08; B25B 13/04;  
B25B 13/065  
See application file for complete search history.

(56) **References Cited**

**U.S. PATENT DOCUMENTS**

174,745	A	3/1876	Squire	
1,384,887	A	7/1921	Burdahl	
1,400,285	A	12/1921	Hart	
1,568,442	A	1/1926	Carver	
1,840,685	A	1/1932	Witherup et al.	
2,804,794	A	9/1957	Stang	
3,715,937	A	2/1973	Cade et al.	
D244,252	S *	5/1977	Ardis	D8/105
D263,674	S *	4/1982	Ebert	D8/27
4,690,019	A *	9/1987	Daghe	B25B 13/16 137/296
D360,118	S *	7/1995	Stanepher, Sr.	D8/21
5,870,932	A	2/1999	Brooke	

D477,523	S *	7/2003	Malvasio	D8/105
7,118,091	B2 *	10/2006	Price	F16K 35/06 251/293
8,485,072	B2	7/2013	Swing	

**OTHER PUBLICATIONS**

Author Unknown, picture of 3 wrenches with two labeled "Stanley", webpage, date unknown, 1 page, publisher unknown, found on the internet Oct. 28, 2015.

Author Unknown, picture of wrenches labeled 35-1 to 37-8, webpage, date unknown, 1 page, publisher unknown, found on the internet Oct. 28, 2015.

Fire Fighter Equipment Store, Akron #19 Universal Suction Spanner Wrench, webpage, date unknown, 1 page, found on the internet Oct. 28, 2015.

General Tools & Instruments, 140XL Basin Wrench Large Jaw, webpage, date unknown, 1 page, found on the internet Oct. 28, 2015.

\* cited by examiner

*Primary Examiner* — Randall Gholson

(74) *Attorney, Agent, or Firm* — Hudak, Shunk & Farine Co., LPA

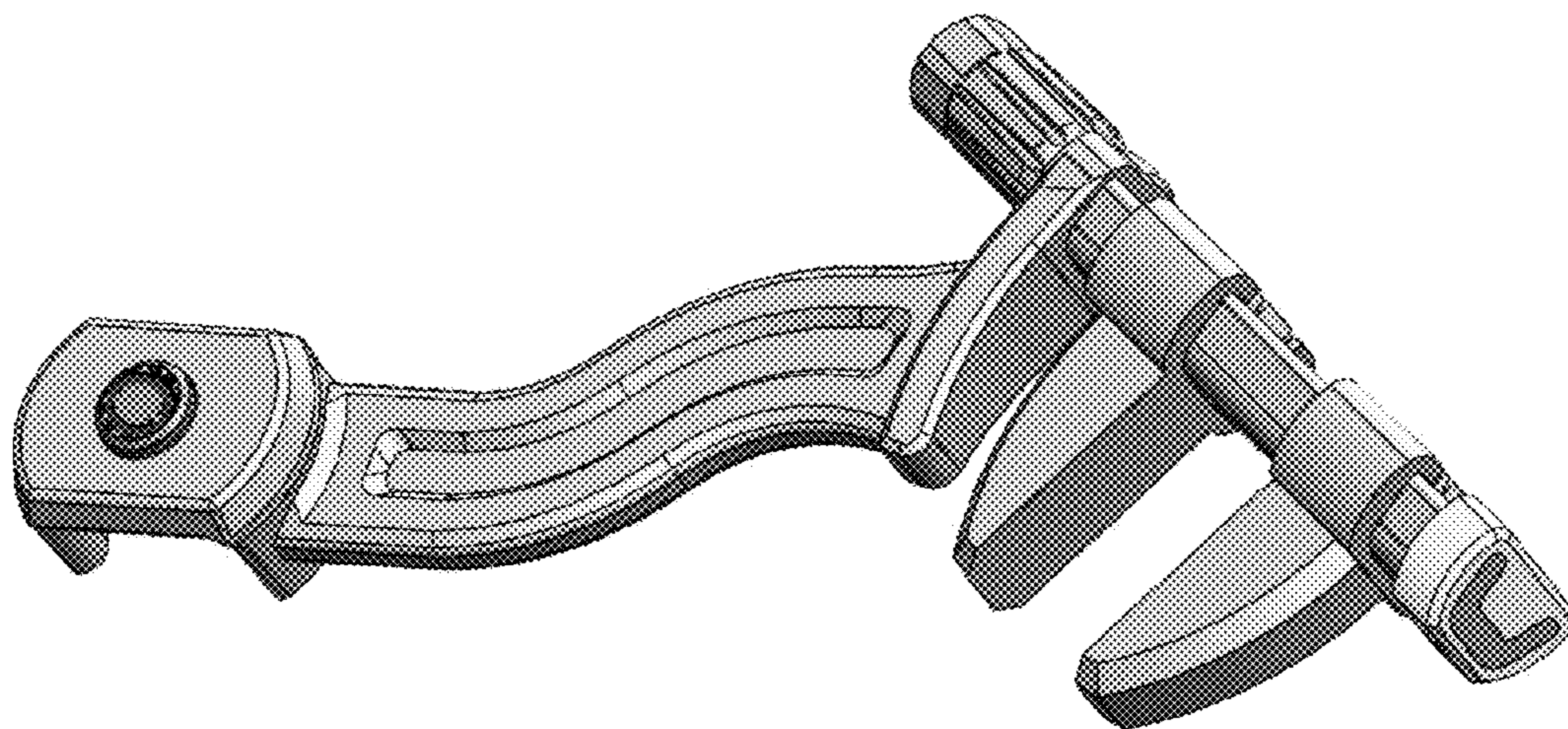
(57) **CLAIM**

The ornamental design for a wrench head, as shown and described.

**DESCRIPTION**

FIG. 1 is a lower right side perspective view;  
FIG. 2 is an upper right side perspective view;  
FIG. 3 is a lower left side perspective view;  
FIG. 4 is an upper left side perspective view;  
FIG. 5 is a top view;  
FIG. 6 is a bottom view;  
FIG. 7 is a right side view;  
FIG. 8 is a left side view;  
FIG. 9 is a back view; and,  
FIG. 10 is a front view.

**1 Claim, 10 Drawing Sheets**



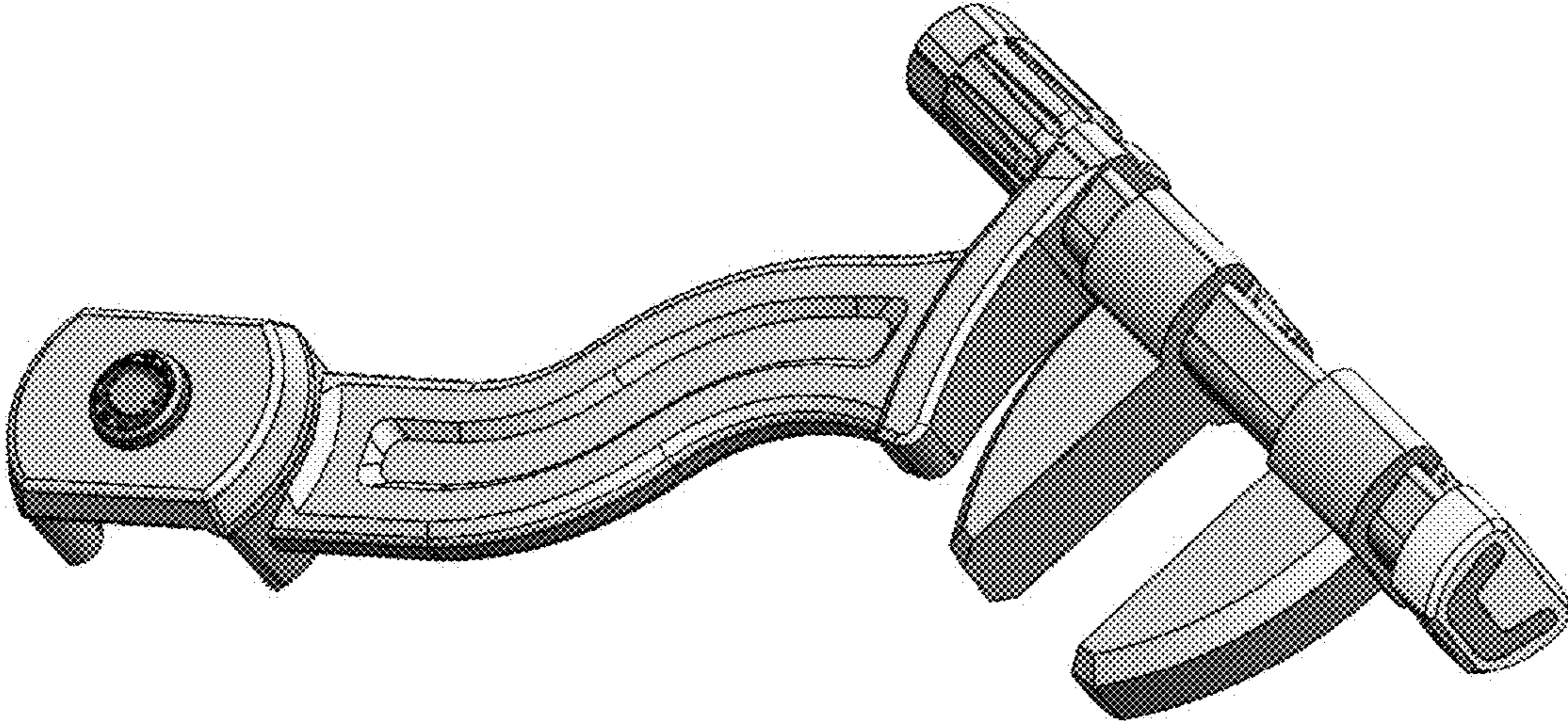


FIG. 1



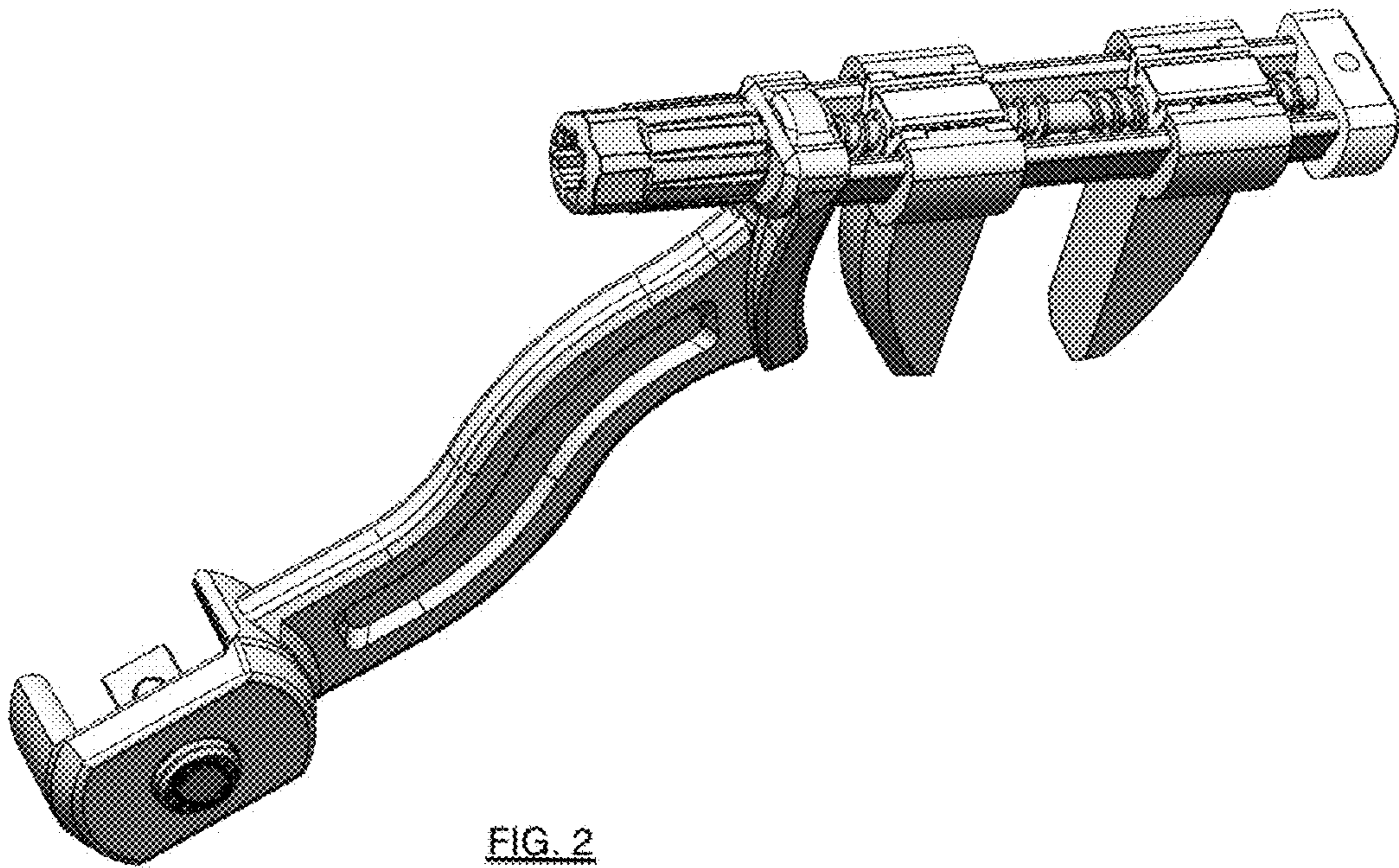
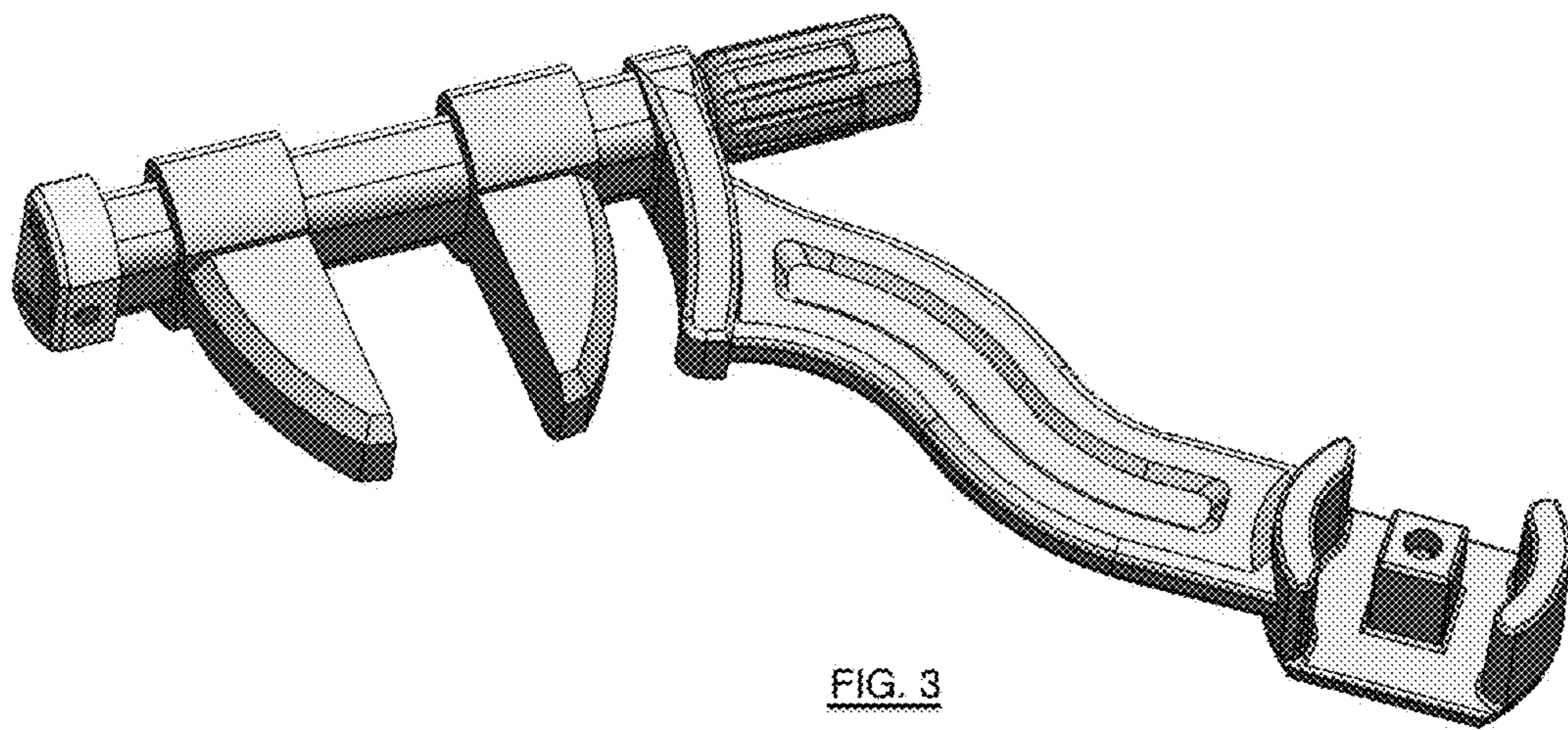


FIG. 2



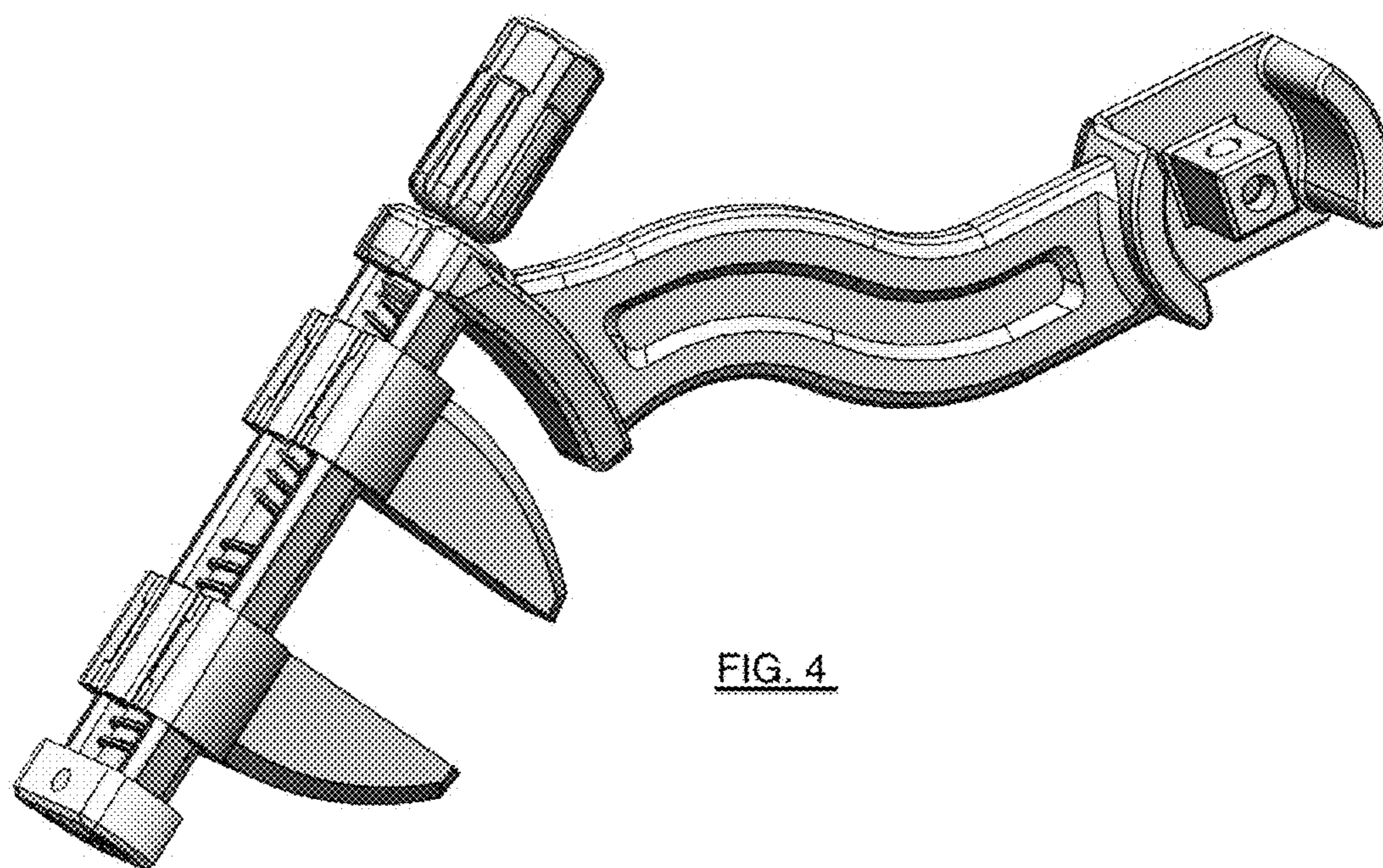


FIG. 4



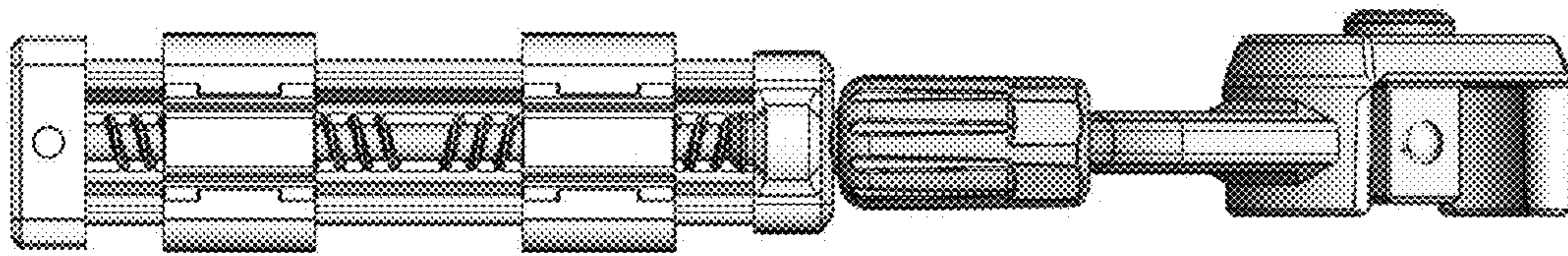


FIG. 5

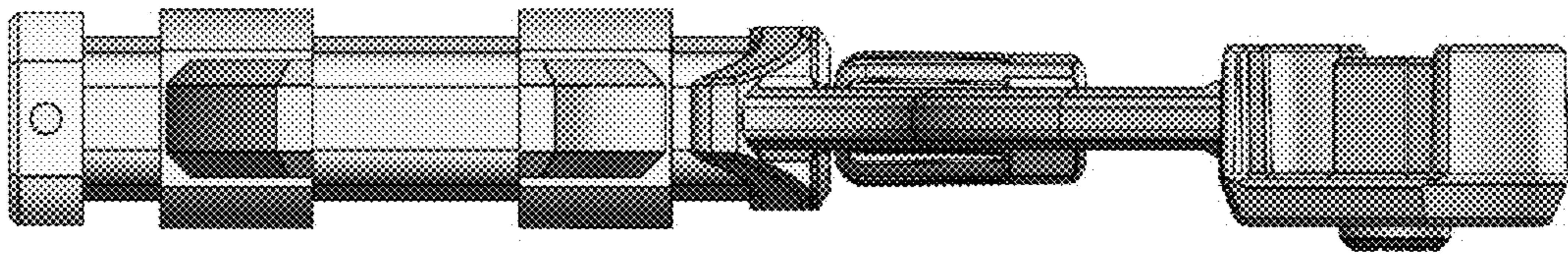


FIG. 6

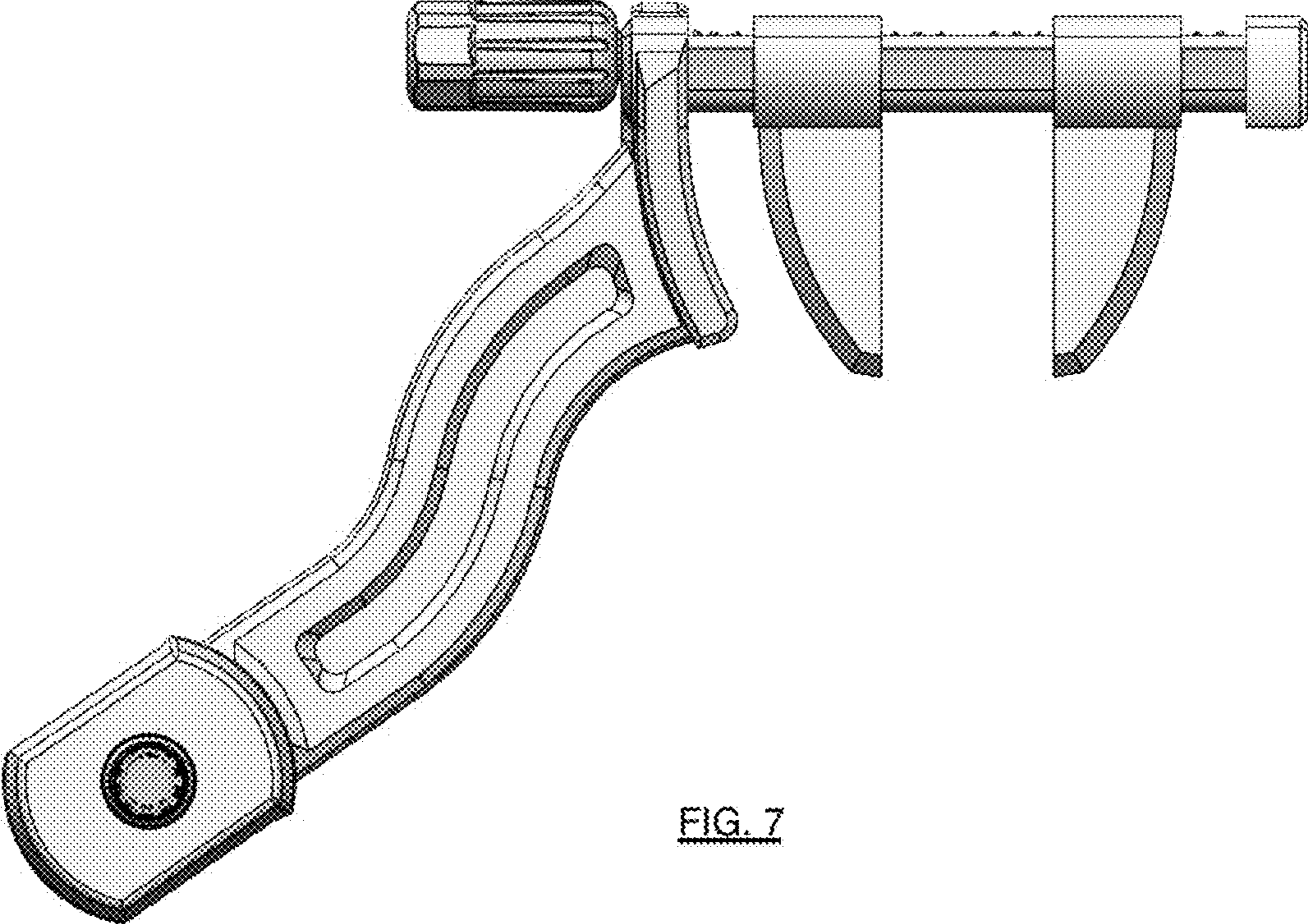


FIG. 7



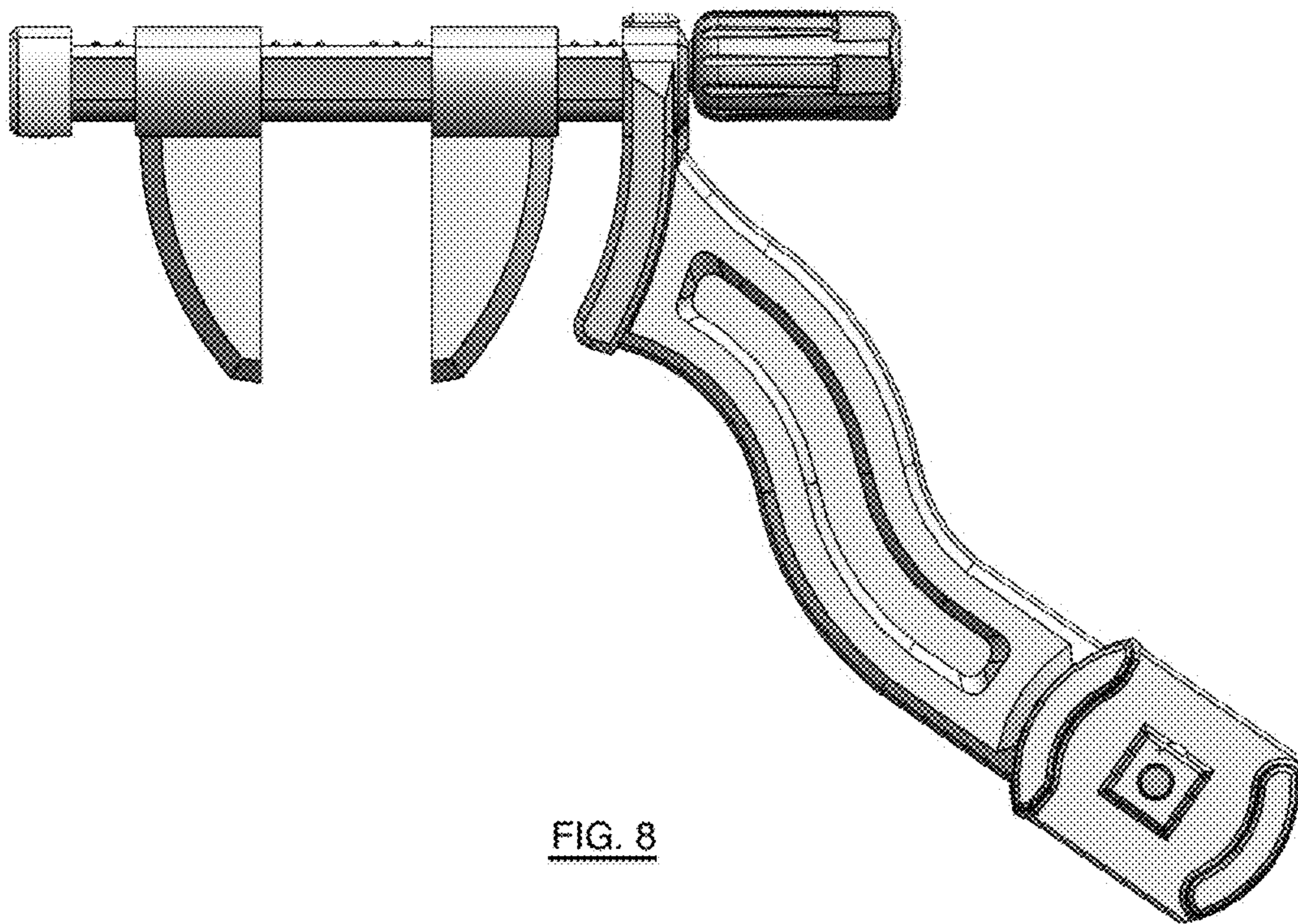


FIG. 8

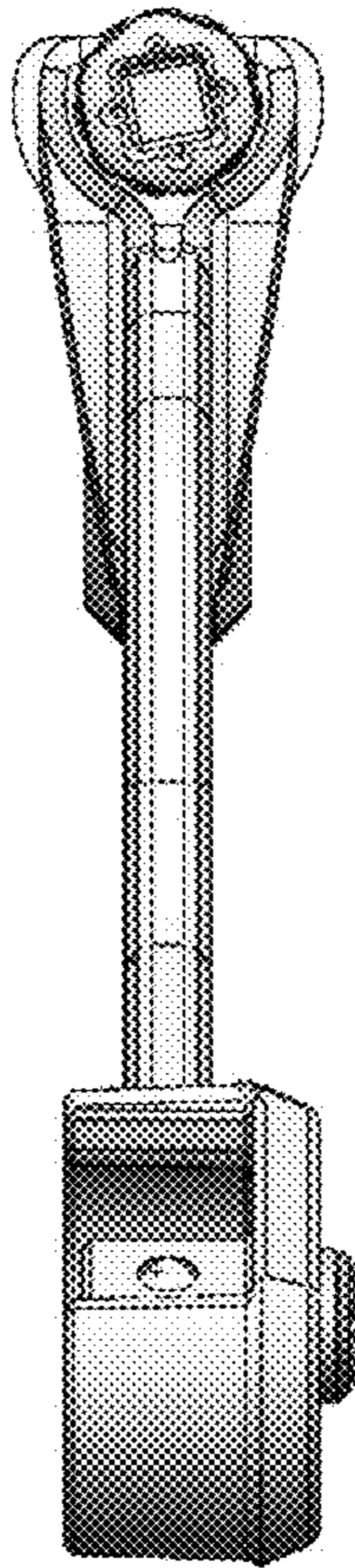


FIG. 9

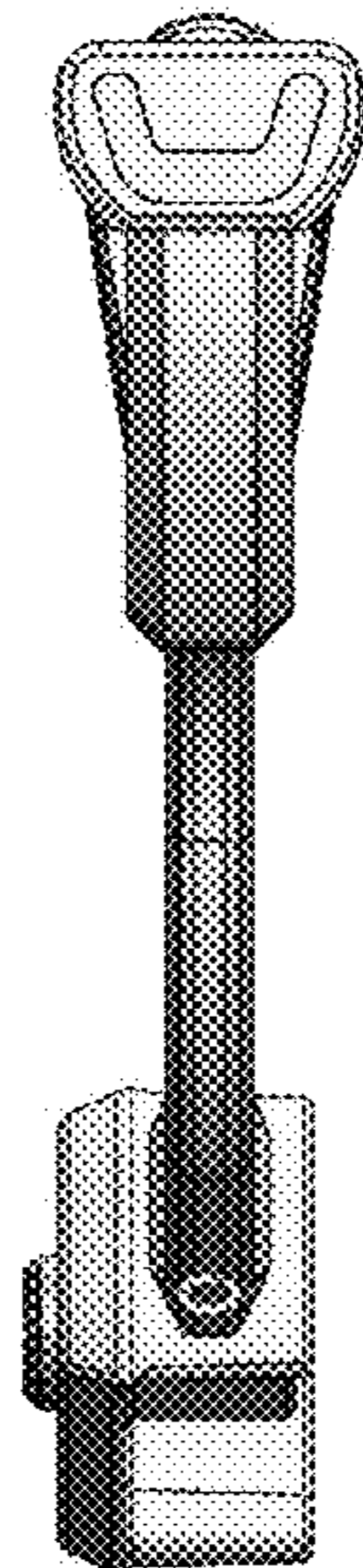


FIG. 10