



US00D799287S

(12) **United States Design Patent**  
**Guthrie**

(10) **Patent No.: US D799,287 S**

(45) **Date of Patent: \*\* Oct. 10, 2017**

(54) **INTERCHANGEABLE GARDEN TOOL**

(71) Applicant: **John Guthrie**, Citronelle, AL (US)

(72) Inventor: **John Guthrie**, Citronelle, AL (US)

(\*\*) Term: **14 Years**

(21) Appl. No.: **29/474,683**

(22) Filed: **Dec. 29, 2014**

(51) **LOC (10) Cl.** ..... **08-01**

(52) **U.S. Cl.**  
USPC ..... **D8/11**

(58) **Field of Classification Search**  
USPC ..... D8/7, 9, 10, 11, 12; D21/532  
CPC .... A01B 1/06; A01B 1/12; A01B 1/14; A01B  
1/16; A01B 1/22; A01B 1/222; A01B  
1/225; A01B 1/227  
See application file for complete search history.

(56) **References Cited**

**U.S. PATENT DOCUMENTS**

D27,173 S *	6/1897	Steel	172/375
1,312,802 A *	8/1919	Norris	A01B 1/06 172/372
2,003,463 A *	6/1935	Poythress	A01B 1/22 403/230
4,890,679 A *	1/1990	Jacobs	A01G 3/08 172/371
D376,966 S *	12/1996	Bartlett	D8/11
6,412,569 B1 *	7/2002	Webb	A01B 1/08 172/16

D562,092 S *	2/2008	Roberson	D8/11
2002/0112865 A1 *	8/2002	Murtagh	A01B 1/08 172/371
2003/0230419 A1 *	12/2003	Eubanks	A01B 1/00 172/371
2005/0134064 A1 *	6/2005	Nies	A01B 1/222 294/51

\* cited by examiner

*Primary Examiner* — Sandra Snapp

*Assistant Examiner* — Ieisha Price

(74) *Attorney, Agent, or Firm* — Paul R. Martin

(57) **CLAIM**

The ornamental design for interchangeable garden tool, as shown and described.

**DESCRIPTION**

FIG. 1 is a perspective view of the interchangeable garden tool of my new design.

FIG. 2 is another perspective view thereof with portions exploded and cut away.

FIG. 3 is a bottom plan view thereof.

FIG. 4 is a top plan view thereof.

FIG. 5 is a left side elevational view thereof.

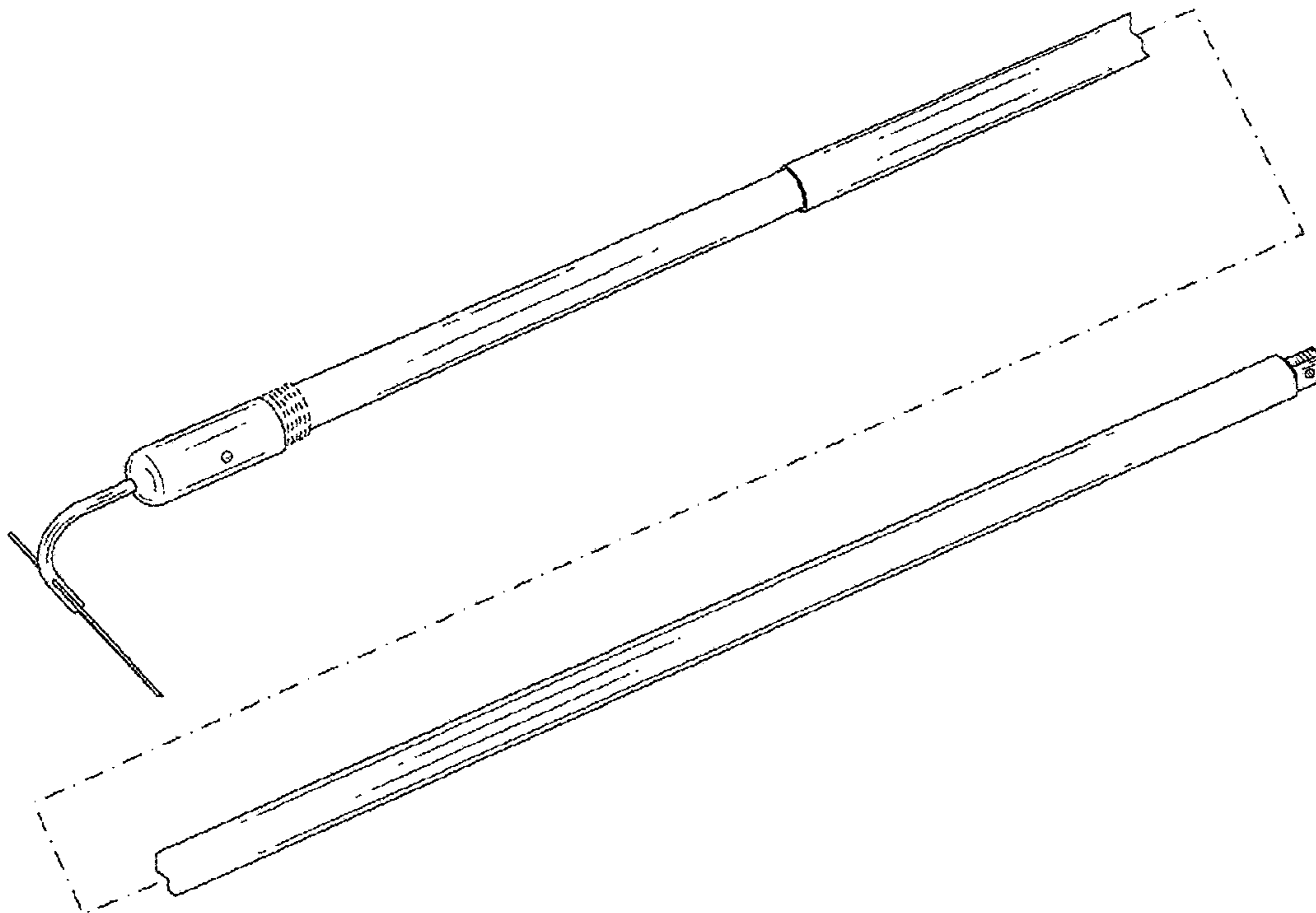
FIG. 6 is a right side elevational view thereof.

FIG. 7 is an elevational view of the front thereof; and,

FIG. 8 is an elevational view of the back thereof.

The broken lines in the drawings illustrate portions of the interchangeable garden tool and form no part of the claimed design.

**1 Claim, 7 Drawing Sheets**



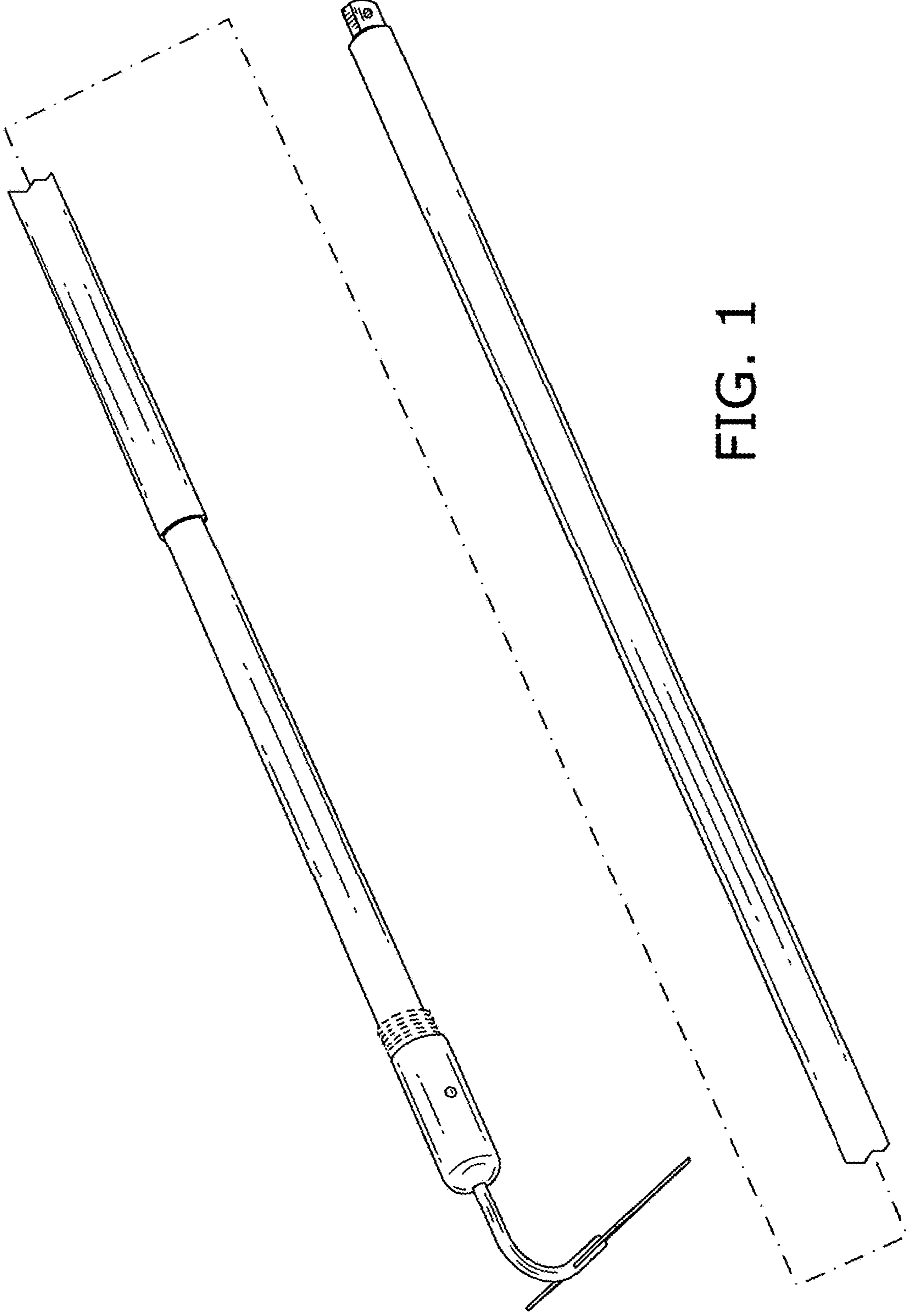


FIG. 1

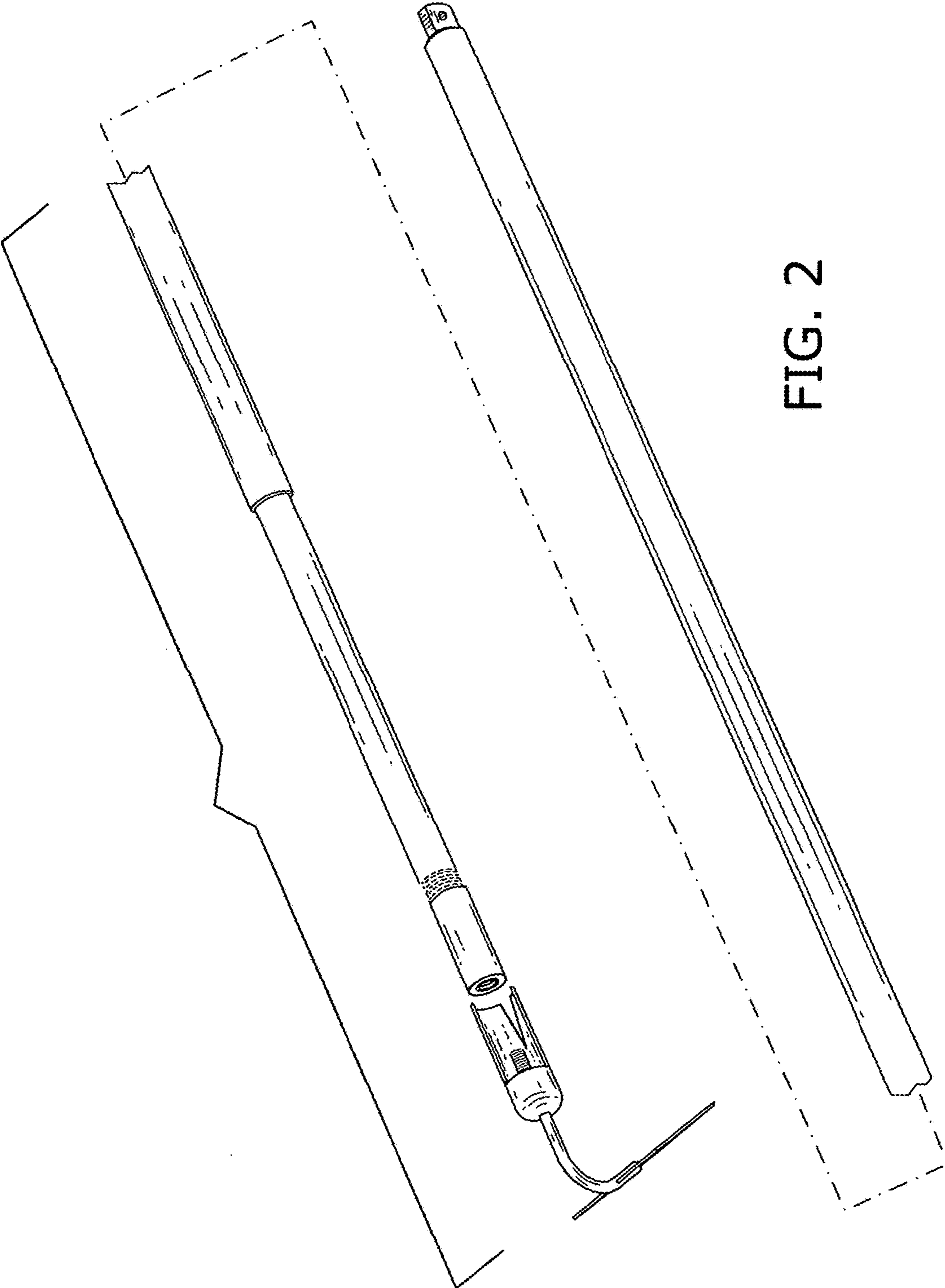


FIG. 2

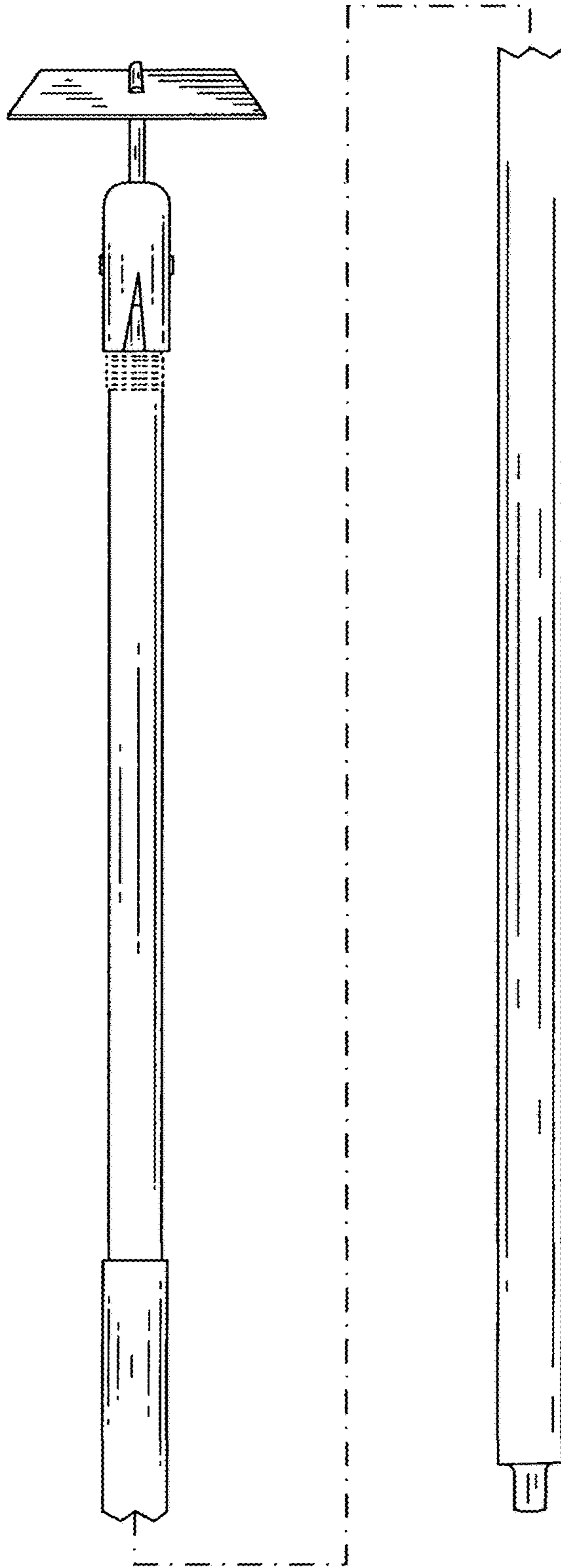


FIG. 3

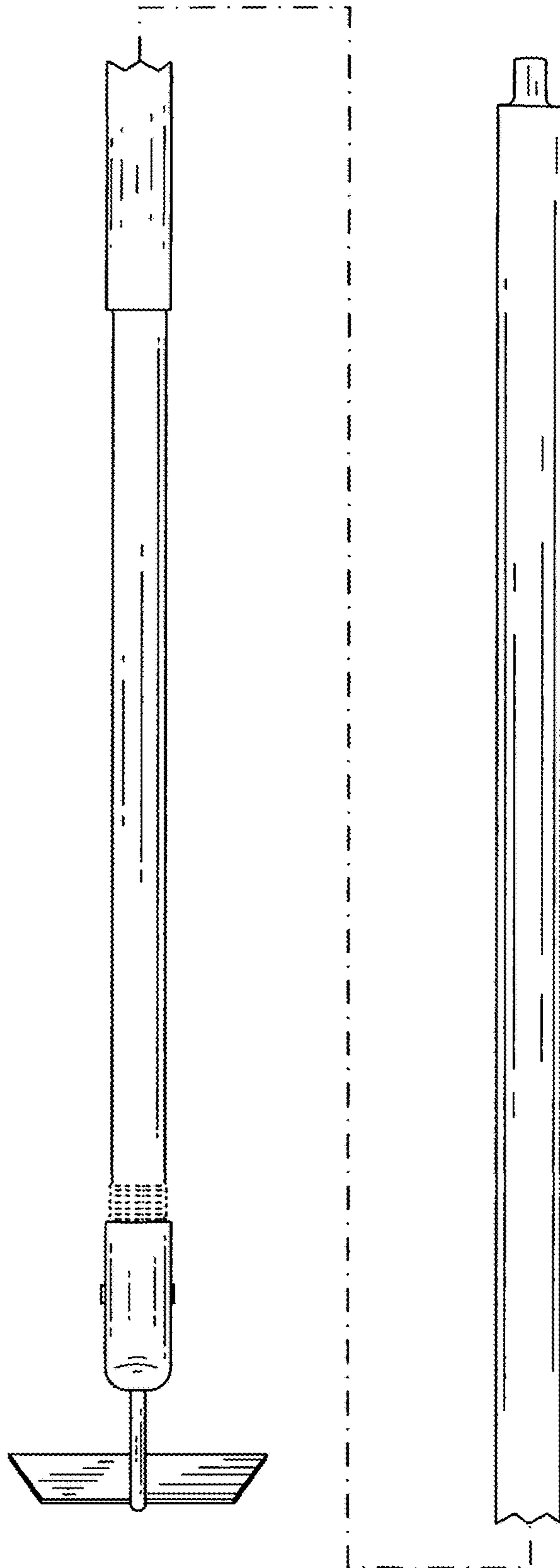


FIG. 4

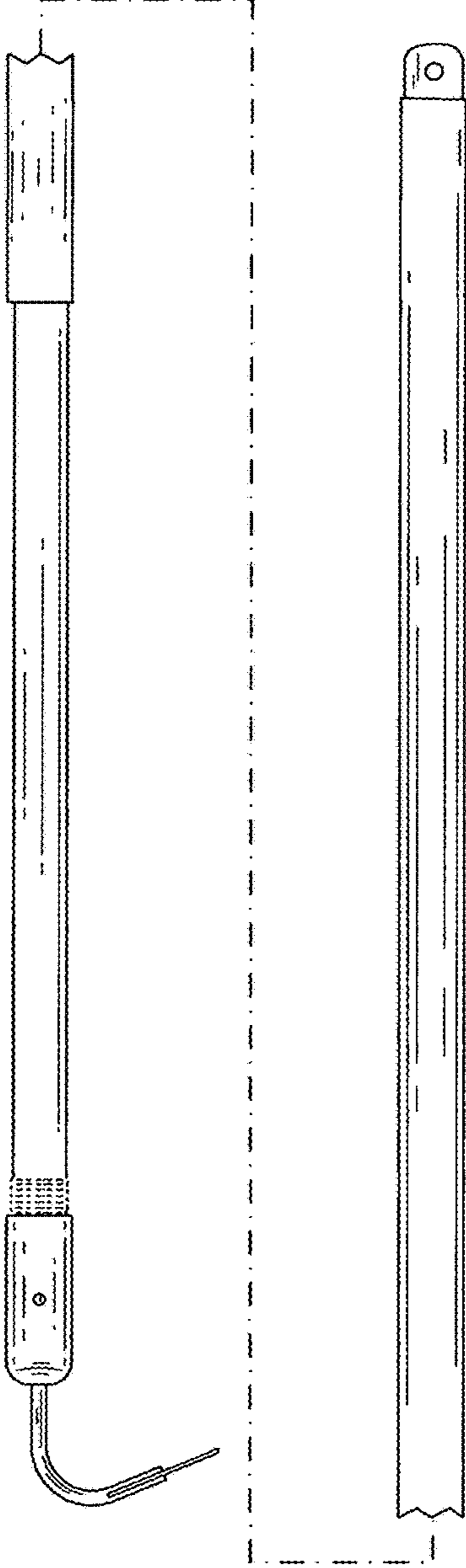


FIG. 5

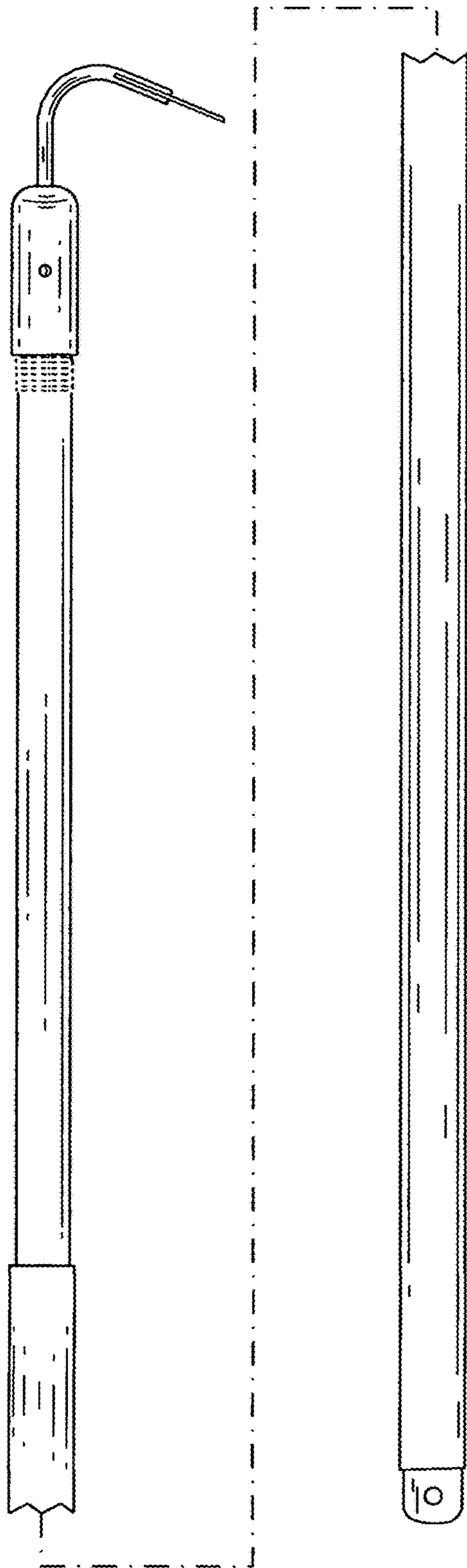


FIG. 6

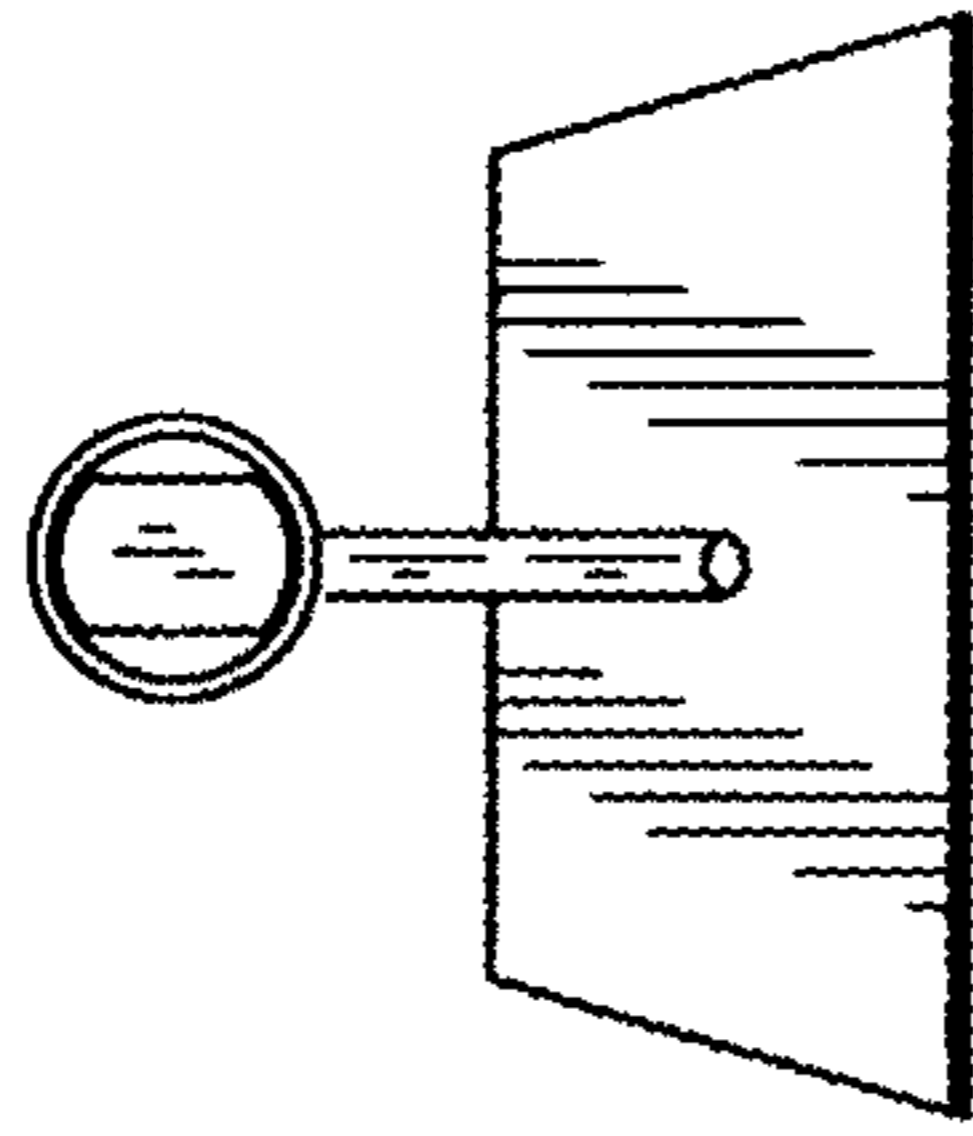


FIG. 8

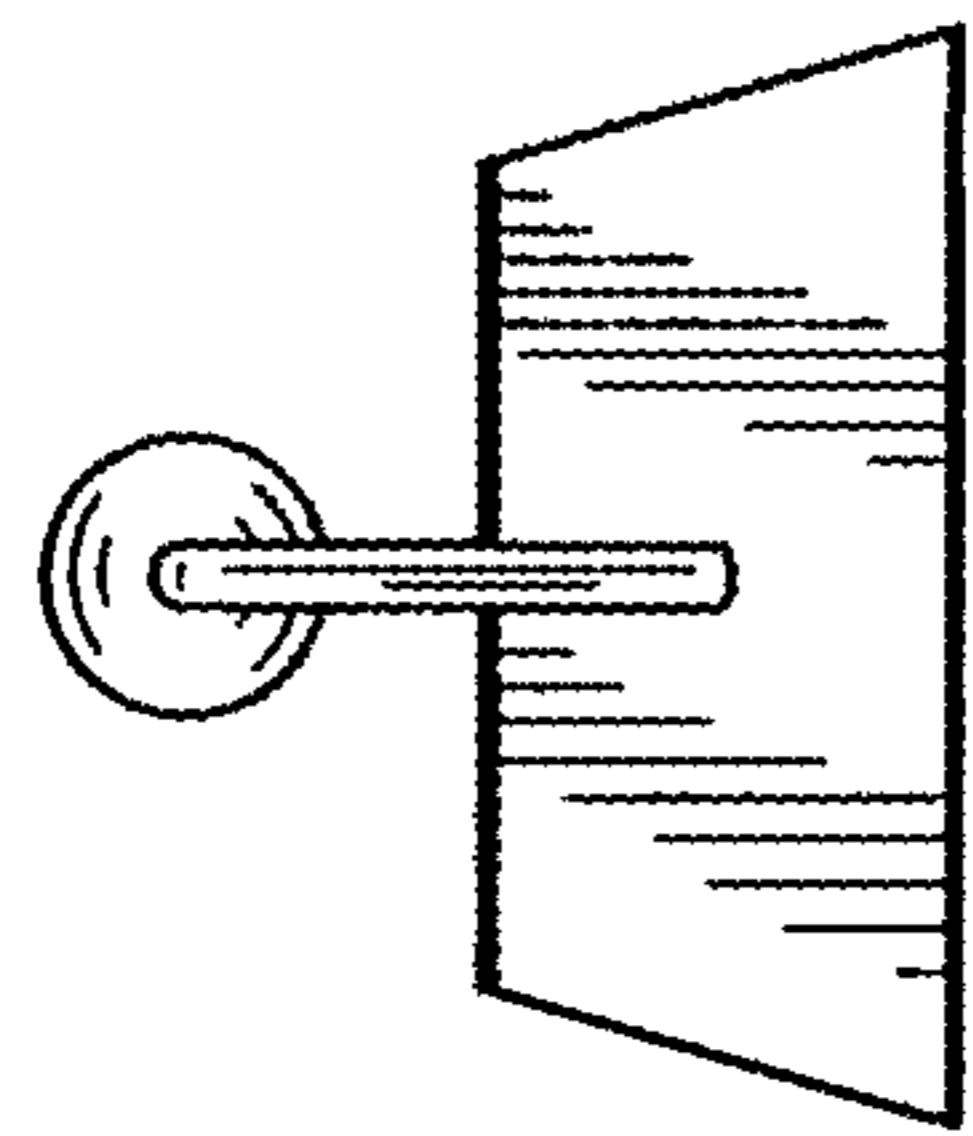


FIG. 7