



US00D799286S

(12) **United States Design Patent** (10) **Patent No.:** **US D799,286 S**
Tinius (45) **Date of Patent:** **** Oct. 10, 2017**

(54) **POLE PRUNER HEAD**
(71) Applicant: **Andreas Stihl AG & Co. KG**,
Waiblingen (DE)
(72) Inventor: **Michael Tinius**, Ulm (DE)
(73) Assignee: **Andreas Stihl AG & Co. KG**,
Waiblingen (DE)

H000378 H 12/1987 Matsumoto
4,819,332 A 4/1989 Sugihara et al.
4,916,886 A 4/1990 Nakamura et al.
4,932,126 A 6/1990 Pilatowicz et al.
5,027,591 A 7/1991 Nakamura et al.
D321,816 S 11/1991 Fushiya et al.
5,070,618 A 12/1991 Edlund
D324,051 S 2/1992 Tuggle et al.
5,261,162 A 11/1993 Siegler
D342,875 S 1/1994 Franke et al.
D343,777 S 2/1994 Vossoughi et al.

(**) Term: **15 Years**

(Continued)

(21) Appl. No.: **29/534,013**

FOREIGN PATENT DOCUMENTS

(22) Filed: **Jul. 24, 2015**

DE 102010013756 10/2011

(30) **Foreign Application Priority Data**

Primary Examiner — Sheryl Lane

Mar. 5, 2015 (EP) 002646505-0002

(74) *Attorney, Agent, or Firm* — McGuireWoods LLP

(51) **LOC (10) Cl.** **08-01**

(57) **CLAIM**

(52) **U.S. Cl.**
USPC **D8/1**

I claim the ornamental design for a pole pruner head, as shown and described.

(58) **Field of Classification Search**
USPC D8/5, 7, 8, 9
CPC ... A01G 3/00; A01G 3/04; A01G 3/08; A01D
34/4166; A01D 34/84; A01D 34/90
See application file for complete search history.

DESCRIPTION

(56) **References Cited**

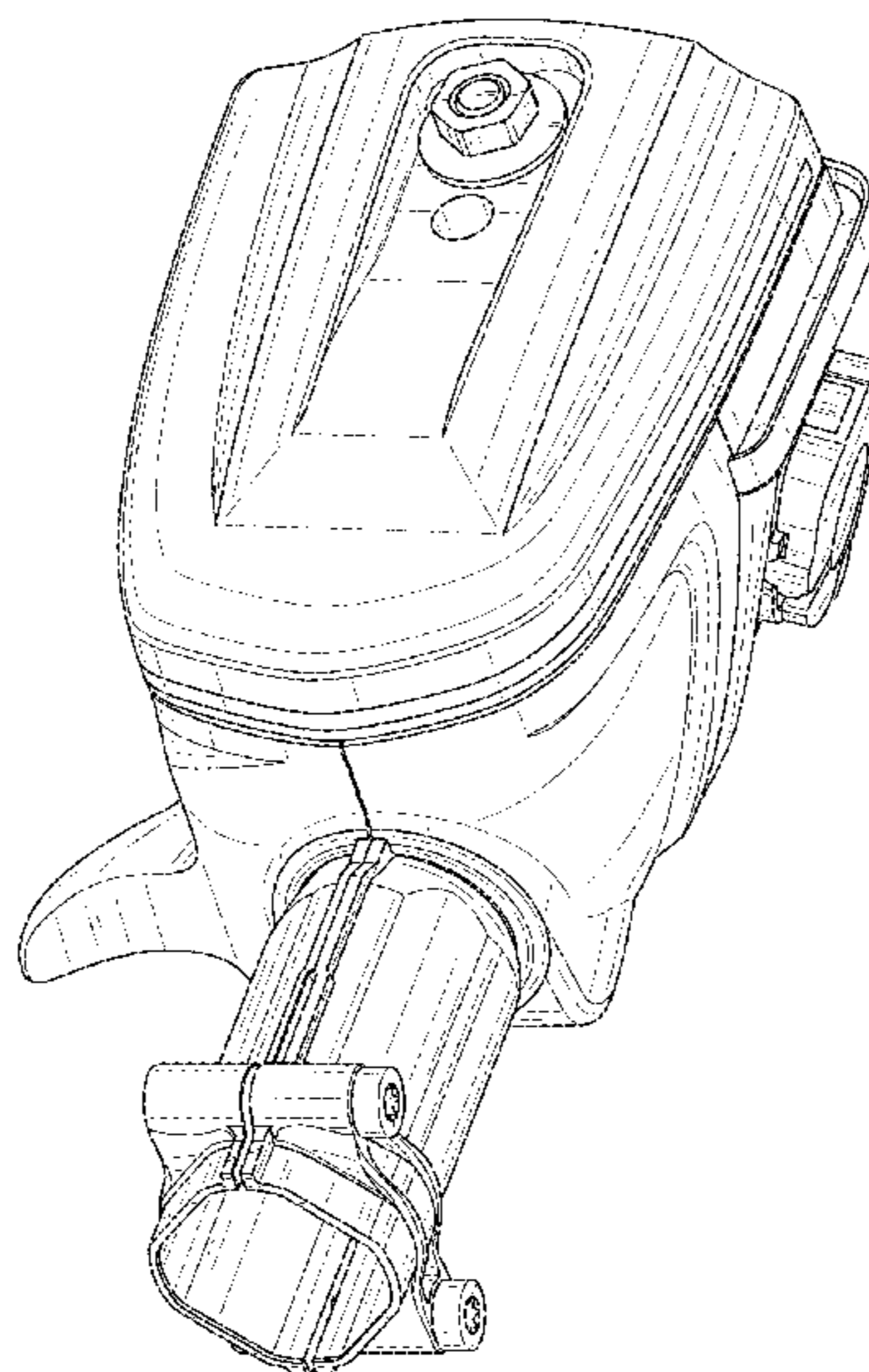
U.S. PATENT DOCUMENTS

774,142 A 11/1904 Brick
2,542,665 A 2/1951 Gustafson
3,137,116 A 6/1964 Besser et al.
3,174,269 A 3/1965 Londo
3,650,099 A 3/1972 Sitter
3,696,597 A 10/1972 Sitter
1,252,130 A 6/1979 Hoff
4,197,640 A 4/1980 Murray
4,534,005 A 8/1985 Nagashima et al.
4,630,372 A 12/1986 Nagashima
4,654,970 A 4/1987 Nagashima
4,662,071 A 5/1987 Hoppner et al.

FIG. 1 is a left perspective view of the pole pruner head;
FIG. 2 is a rear view of the pole pruner head shown in FIG. 1;
FIG. 3 is a front view of the pole pruner head shown in FIG. 1;
FIG. 4 is a right side view of the pole pruner head shown in FIG. 1;
FIG. 5 is a left side view of the pole pruner head shown in FIG. 1;
FIG. 6 is a top view of the pole pruner head shown in FIG. 1; and,
FIG. 7 is a bottom view of the pole pruner head shown in FIG. 1.

The subject matter shown in dashed lines, and any surfaces of the design not shown, including interior surfaces, form no part of the claimed invention.

1 Claim, 6 Drawing Sheets



(56)

References Cited

U.S. PATENT DOCUMENTS

D351,096 S	10/1994	Gierke	D560,983 S	2/2008	Tinius
D355,817 S	2/1995	Nakadachi	D563,747 S	3/2008	Tinius
D355,818 S	2/1995	Nakadachi	D566,493 S	4/2008	Wang
1,355,198 A	2/1995	Kikuchi	7,395,601 B2	7/2008	Berfield
D356,013 S	3/1995	Kiyooka et al.	D580,237 S	11/2008	Bradford
D356,014 S	3/1995	Griffin	D580,238 S	11/2008	Murray
D358,308 S	5/1995	Griffin	D580,239 S	11/2008	Murray
D360,341 S	7/1995	Hirooka et al.	D580,240 S	11/2008	Murray
D361,251 S	8/1995	Griffin	D580,719 S	11/2008	Baxter
D361,336 S	8/1995	Tinius	D582,224 S	12/2008	Bochmann et al.
D361,702 S *	8/1995	Kidwell D8/8	D582,225 S	12/2008	Bochmann
D364,326 S	11/1995	Lohse et al.	D582,736 S	12/2008	Ghirardi
5,485,814 A	1/1996	Tuggle et al.	7,493,696 B2	2/2009	Suzuki et al.
5,540,291 A	7/1996	Coleman	7,520,061 B2	4/2009	Herzog et al.
D372,407 S	8/1996	Haneda et al.	D596,000 S	7/2009	Klingbeil
5,570,512 A	11/1996	Hoppner	D600,515 S	9/2009	Tinius
1,377,441 A	1/1997	Hoppner et al.	D600,516 S	9/2009	Tinius
D378,184 S	2/1997	Naslund et al.	D600,517 S	9/2009	Tinius
D386,958 S	12/1997	Karlsson et al.	D605,910 S	12/2009	Tinius
5,800,571 A	9/1998	Carlson et al.	D606,829 S	12/2009	Tinius
5,855,069 A	1/1999	Natsubayashi et al.	D609,066 S	2/2010	Tinius
D412,652 S	8/1999	Durr et al.	D609,067 S	2/2010	Tinius
5,979,064 A	11/1999	Kitz et al.	D623,487 S	9/2010	Tinius
5,992,025 A	11/1999	Fricke	D624,371 S	9/2010	Tinius
6,016,604 A	1/2000	Wolf et al.	D624,372 S	9/2010	Misaki
6,065,214 A	5/2000	Nagashima	D625,159 S	10/2010	Tinius
D427,862 S	7/2000	Yamane et al.	D625,160 S	10/2010	Misaki
6,082,087 A	7/2000	Tada et al.	7,992,308 B1	8/2011	Fisher
6,125,547 A	10/2000	Nagashima	D648,194 S	11/2011	Tinius
D446,699 S	8/2001	Marshall et al.	8,098,036 B2	1/2012	Matsunaga et al.
6,295,953 B1	10/2001	Ohsawa et al.	8,127,455 B2	3/2012	Wenckel et al.
D457,925 S	5/2002	Grafton	8,136,254 B2	3/2012	Gieske et al.
D460,667 S	7/2002	Waldron	D668,517 S	10/2012	Landberg
D462,882 S	9/2002	Evans	D670,144 S	11/2012	Tinius
D463,228 S	9/2002	Cooper	D672,624 S *	12/2012	Naas D8/8
1,463,229 A1	9/2002	Gabriel	1,675,074 A1	1/2013	Baxter
D468,600 S	1/2003	Evans	8,350,512 B2	1/2013	Matsunaga et al.
6,508,004 B2	1/2003	Tezuka et al.	D692,287 S	10/2013	Tinius
D473,116 S	4/2003	Jong	8,549,758 B2	10/2013	Ito et al.
D474,947 S	5/2003	Holmdahl et al.	8,573,323 B2	11/2013	Muller et al.
6,637,117 B2	10/2003	Kobayashi	D702,630 S	4/2014	Tinius
D487,216 S	3/2004	Arvidsson	D710,662 S *	8/2014	Kawase D8/8
6,701,623 B2	3/2004	Sanders	D712,215 S	9/2014	Tajik
6,735,873 B2	5/2004	Langhans et al.	D712,217 S *	9/2014	Kawase D8/8
D505,602 S	5/2005	Houghton	D720,582 S	1/2015	Tinius
D505,844 S	6/2005	Houghton	D740,088 S *	10/2015	Ishikawa D8/8
D506,653 S	6/2005	Elsworthy	2002/0124837 A1	9/2002	Maier et al.
6,918,451 B2	7/2005	Nagashima et al.	2002/0129502 A1	9/2002	Durr et al.
D510,512 S	10/2005	Robson	2003/0051351 A1	3/2003	Buchholtz et al.
6,973,726 B2	12/2005	Kramer	2003/0183187 A1	10/2003	Menzel et al.
D519,336 S	4/2006	Ono et al.	2004/0103857 A1	6/2004	Kruse
D522,818 S	6/2006	Andriolo	2005/0050867 A1	3/2005	Taomo et al.
D530,163 S	10/2006	Xue-Feng et al.	2006/0112683 A1	6/2006	Huber
7,168,132 B2	1/2007	Durr et al.	2007/0101581 A1	5/2007	Carls
D543,805 S	6/2007	Houghton	2007/0180705 A1	8/2007	Chiu
D551,921 S	10/2007	Houghton	2011/0241457 A1	10/2011	Muller
			2012/0227270 A1	9/2012	Ito
			2013/0047802 A1	2/2013	Vierck

* cited by examiner

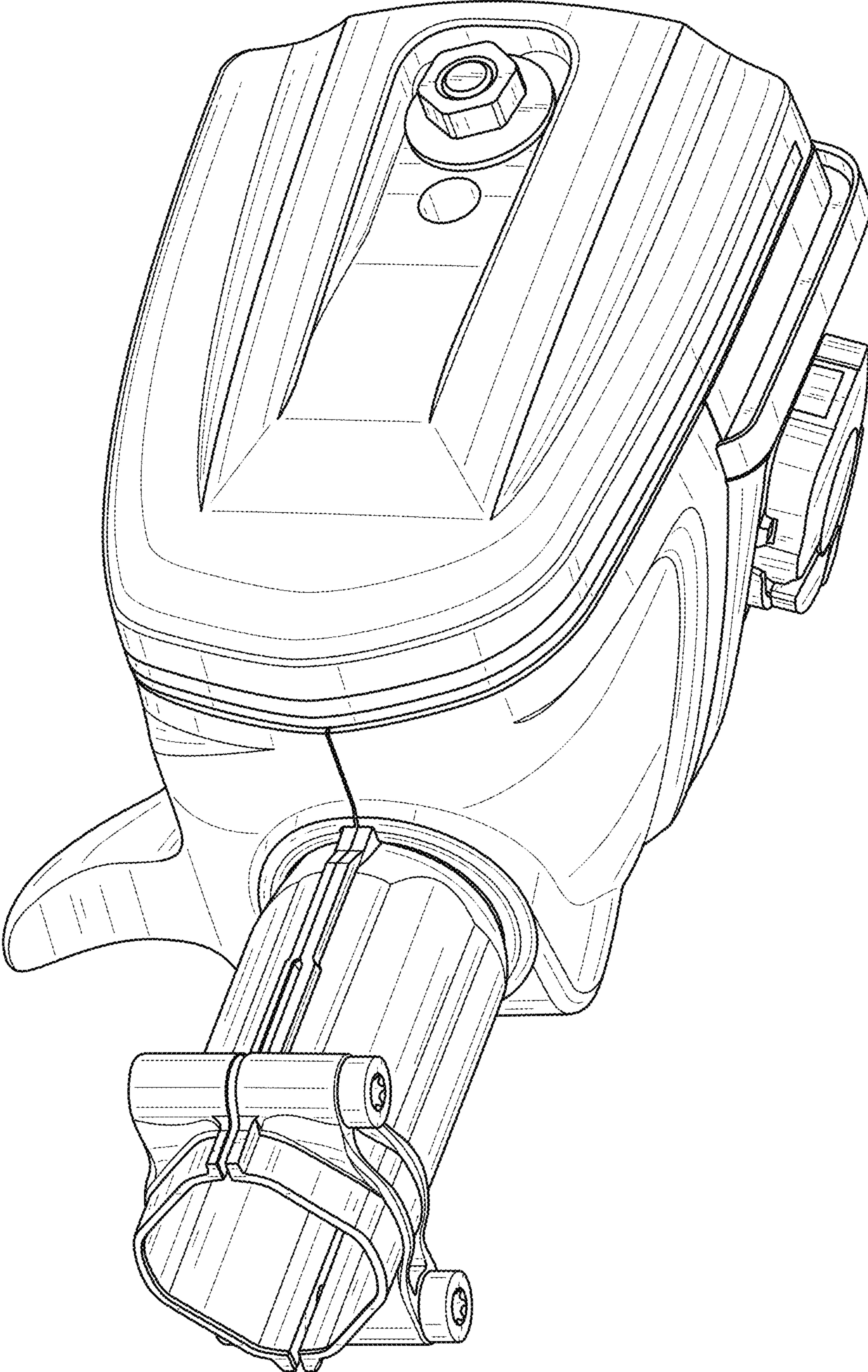


FIG. 1

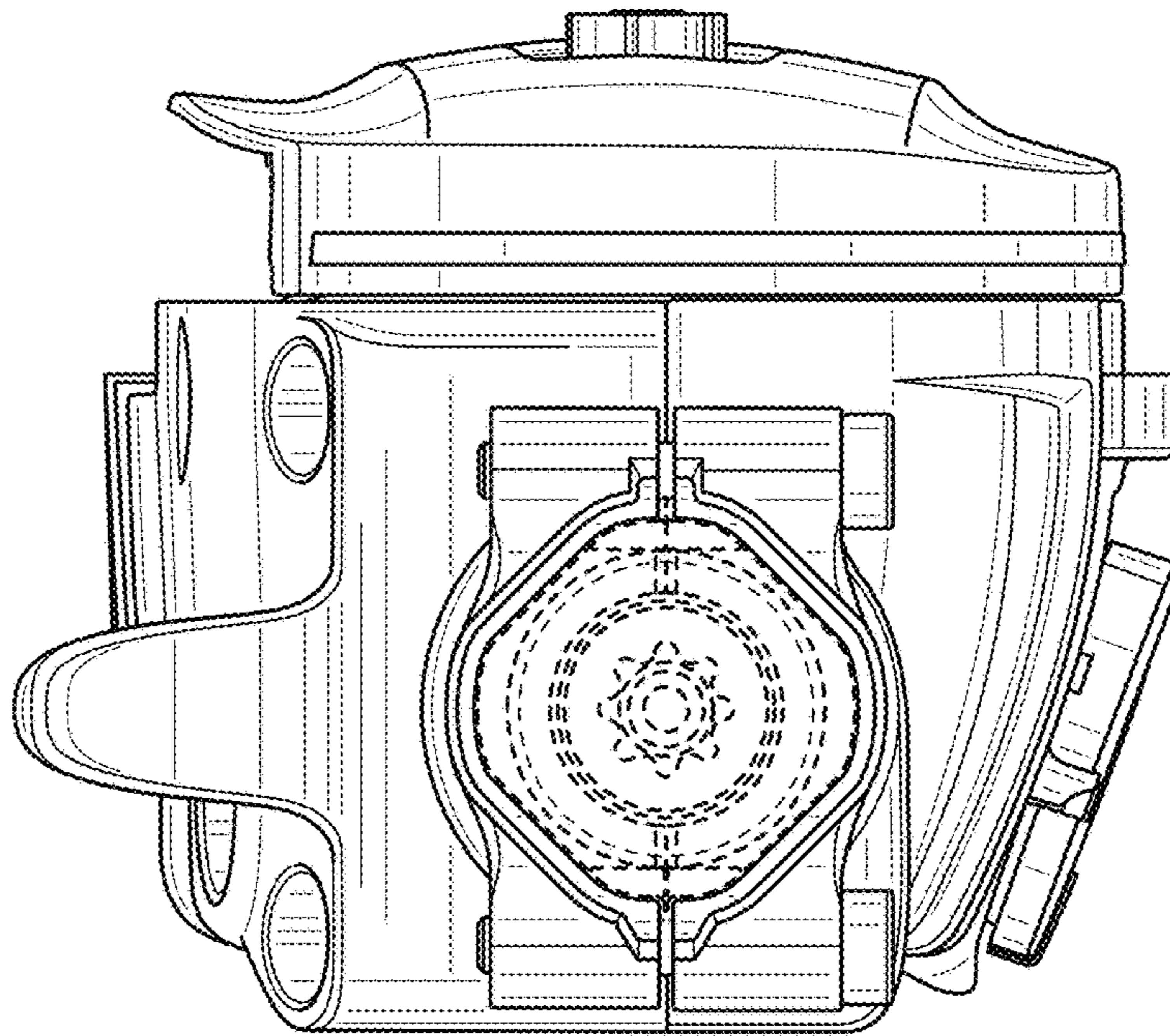


FIG. 2

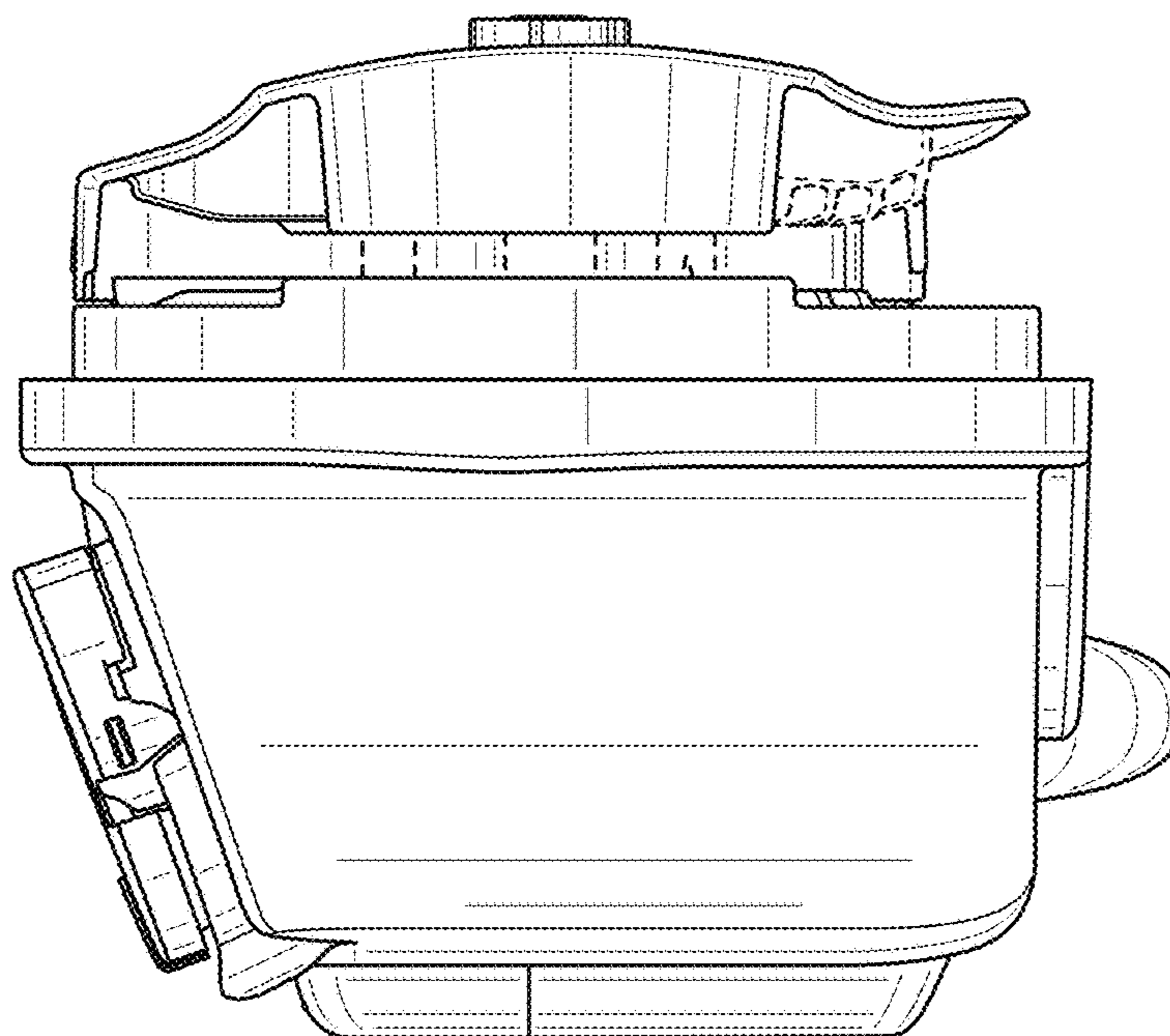


FIG. 3

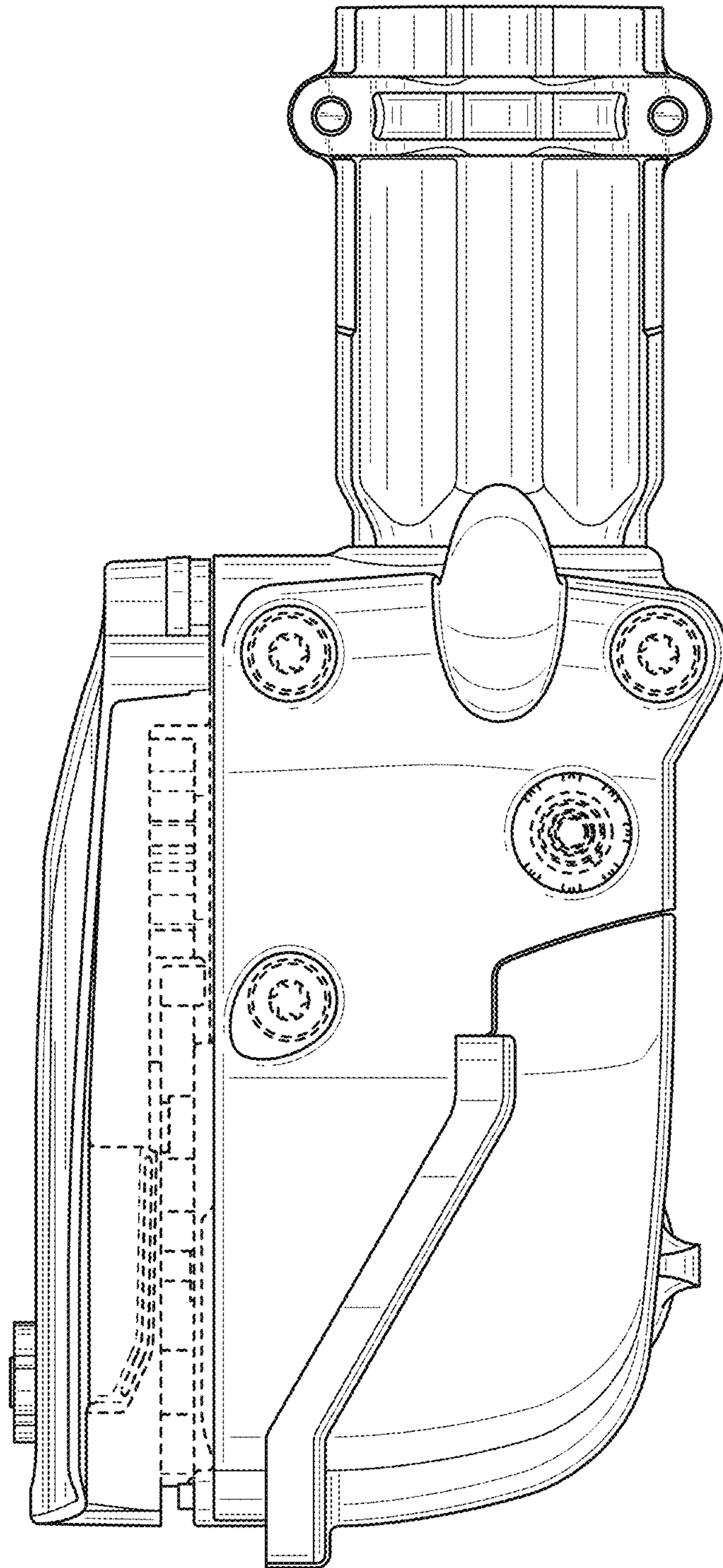


FIG. 4

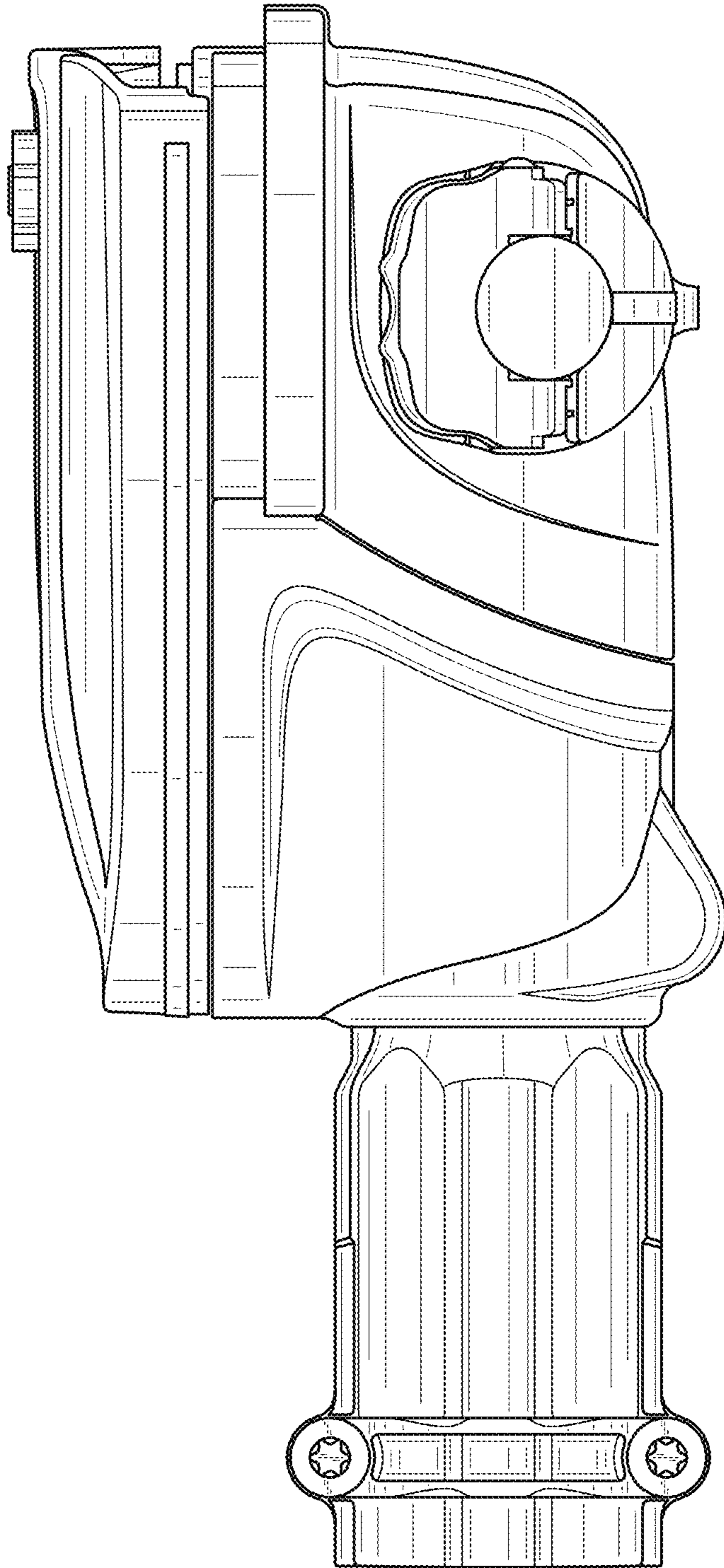


FIG. 5

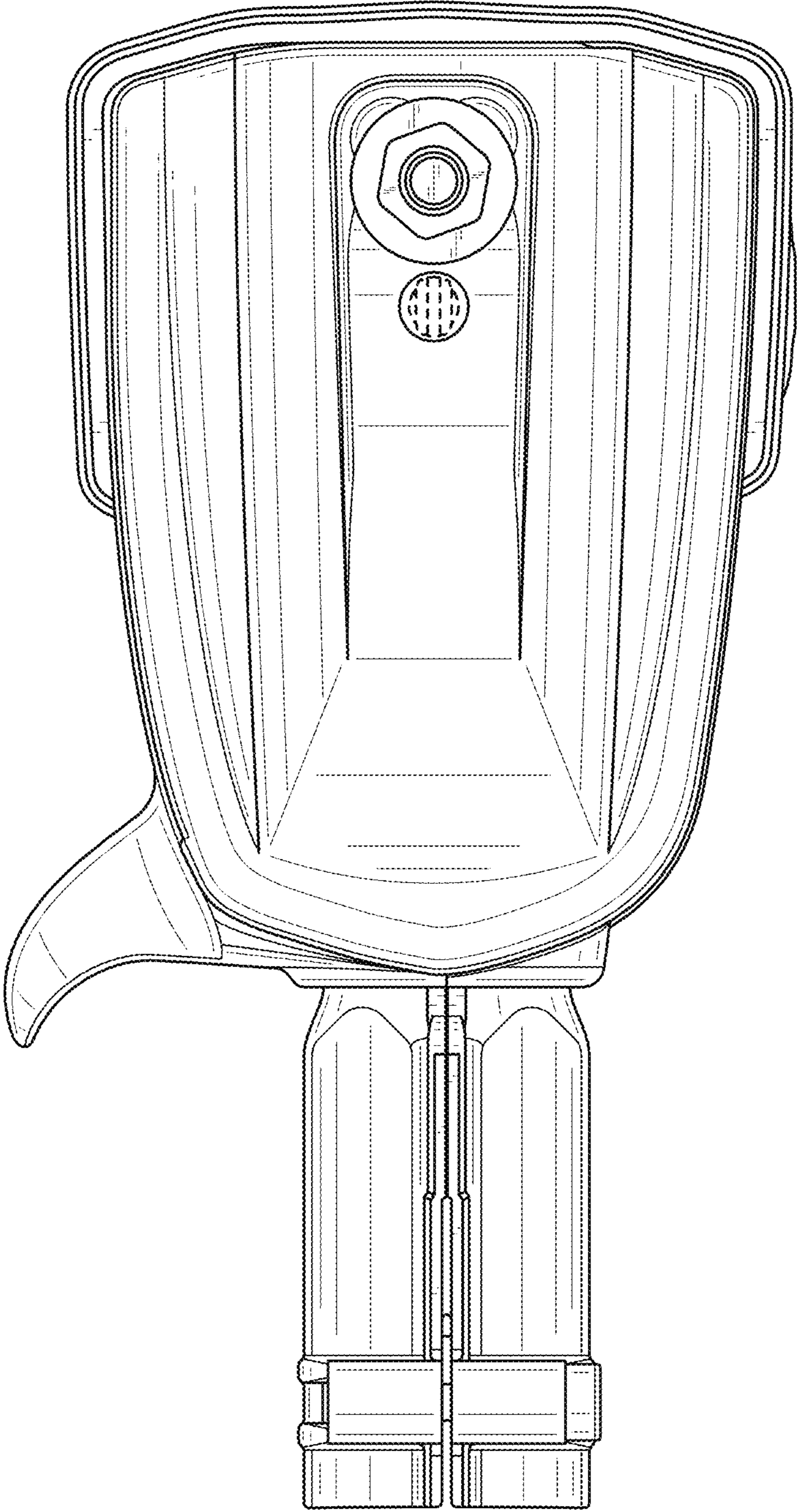


FIG. 6

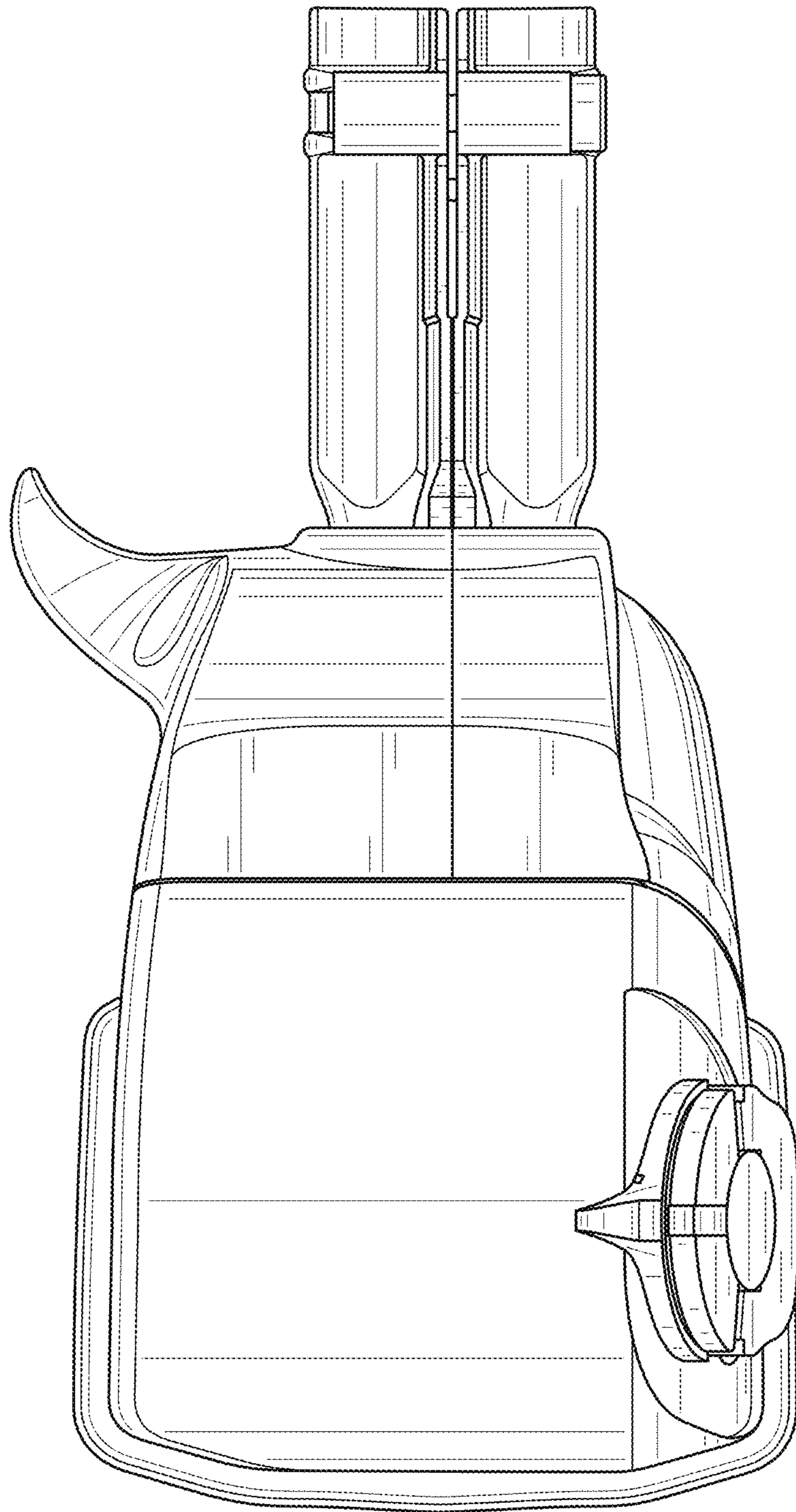


FIG. 7