



US00D799282S

(12) **United States Design Patent** (10) **Patent No.:** **US D799,282 S**  
**Maslana et al.** (45) **Date of Patent:** **\*\* Oct. 10, 2017**

(54) **FOOD SLICER**  
(71) Applicant: **Prince Castle LLC**, Carol Stream, IL (US)  
(72) Inventors: **Eugene S. Maslana**, Morton Grove, IL (US); **Eric Larson**, Pecatonica, IL (US); **Karl Heinze**, West Chicago, IL (US)  
(73) Assignee: **Prince Castle LLC**, Carol Stream, IL (US)

D297,798 S 9/1988 Leung  
4,852,256 A \* 8/1989 Schoettler ..... B26D 3/26  
30/114  
5,245,902 A 9/1993 Pereira  
5,343,623 A 9/1994 Cole et al.  
5,749,145 A 5/1998 Baukloh  
D400,065 S 10/1998 Fohrman  
D413,771 S \* 9/1999 So ..... D7/673  
6,041,682 A 3/2000 Jensen et al.  
D505,302 S 5/2005 Veltrop et al.  
D573,853 S \* 7/2008 Ericsson ..... D7/672  
(Continued)

(\*\*) Term: **15 Years**  
(21) Appl. No.: **29/540,080**  
(22) Filed: **Sep. 21, 2015**  
(51) **LOC (10) Cl.** ..... **07-04**  
(52) **U.S. Cl.**  
USPC ..... **D7/673**  
(58) **Field of Classification Search**  
USPC ..... D7/672-676, 693, 359, 412, 376-386;  
30/113.1-114  
CPC . B26D 3/24; B26D 3/245; B26D 3/26; B26D  
1/553; B26D 1/30; B26D 7/1818; B26D  
3/06  
See application file for complete search history.

**OTHER PUBLICATIONS**

Edlund, Manual Fruit & Vegetable Slicer, 2014.  
(Continued)

*Primary Examiner* — Susan Bennett Hattan  
*Assistant Examiner* — Brett Miller  
(74) *Attorney, Agent, or Firm* — Andrus Intellectual Property Law, LLP

(56) **References Cited**  
U.S. PATENT DOCUMENTS

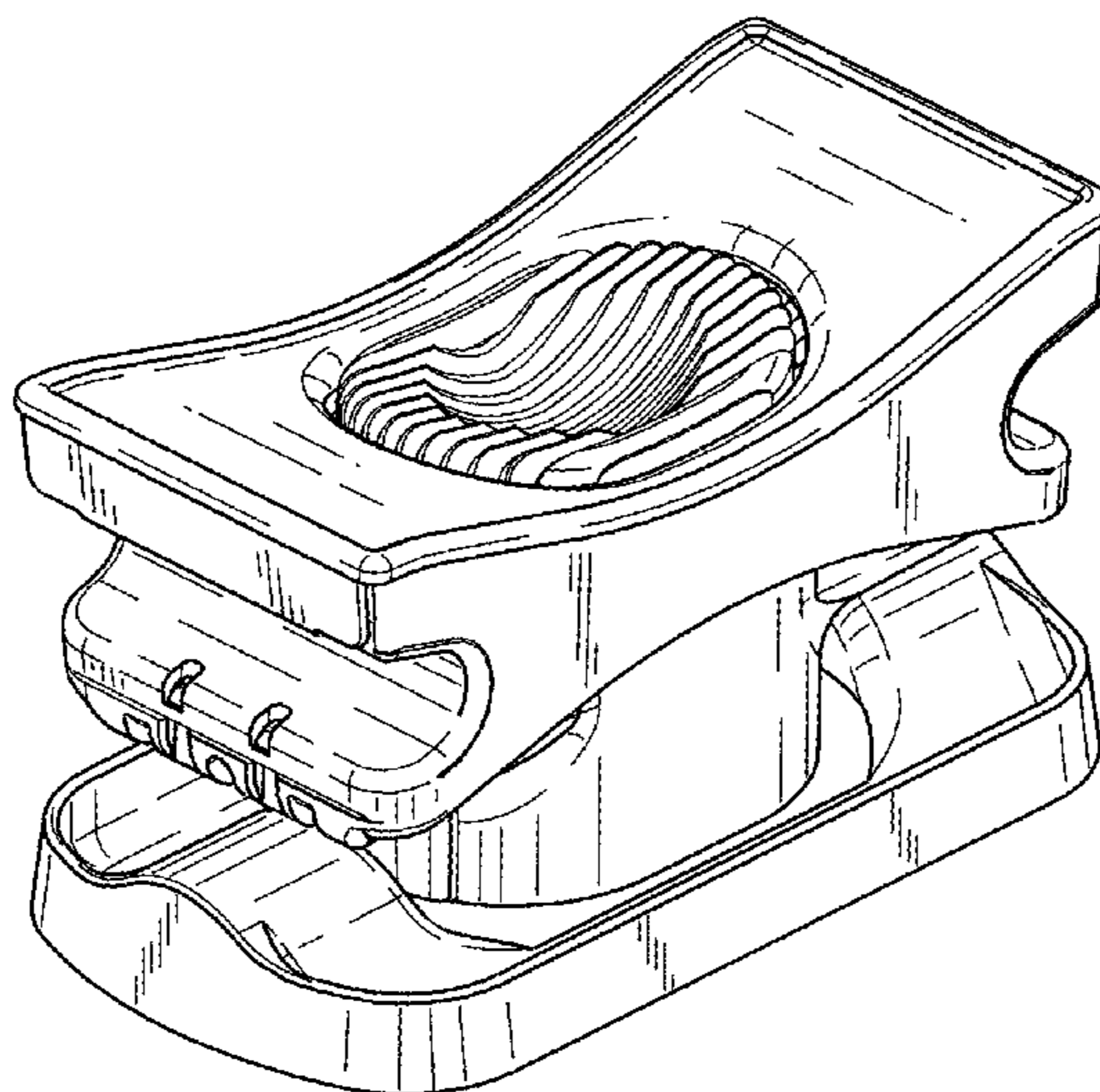
2,563,237 A 6/1947 Grocoff  
D164,693 S 10/1951 Kooas  
2,836,212 A 5/1958 Albert  
D193,754 S \* 10/1962 Popell ..... D7/693  
3,216,474 A \* 11/1965 Popeil ..... B26D 3/185  
D7/673  
D207,378 S \* 4/1967 Levin ..... D7/693  
3,463,211 A 8/1969 Holz  
3,924,501 A 12/1975 Cohen et al.  
4,059,037 A 11/1977 Gerson et al.  
D251,653 S \* 4/1979 Mason, Jr. .... D7/359

(57) **CLAIM**  
The ornamental design for a food slicer, as shown and described.

**DESCRIPTION**

FIG. 1 is a top perspective view of a food slicer;  
FIG. 2 is a bottom perspective view thereof;  
FIG. 3 is a front view thereof;  
FIG. 4 is a back view thereof;  
FIG. 5 is a left side view thereof;  
FIG. 6 is a right side view thereof;  
FIG. 7 is a top view thereof; and,  
FIG. 8 is a bottom view thereof.  
The broken dashed and dashed-dot lines show various portions and other elements in the Figures for the purpose of illustrating unclaimed portions and form no part of the claimed design.

**1 Claim, 4 Drawing Sheets**



(56)

**References Cited**

U.S. PATENT DOCUMENTS

D576,454 S \* 9/2008 Repac ..... D7/693  
7,547,006 B1 \* 6/2009 Lockwood ..... A47J 17/10  
30/114  
2006/0185488 A1 8/2006 Short et al.  
2007/0022611 A1 \* 2/2007 Verbiest ..... B26D 3/185  
30/114  
2009/0019705 A1 \* 1/2009 Aby-Eva ..... B26D 1/553  
30/117  
2012/0131800 A1 \* 5/2012 Hauser ..... B26D 1/30  
30/124  
2013/0025130 A1 \* 1/2013 Bagley ..... B26D 1/553  
30/114

OTHER PUBLICATIONS

Nemco, Operating and Maintenance Instruction for Lettuce Kutter,  
2012.  
Nemco, Easy Cartridge Onion Slicer, 2008.  
Prince Castle LLC, Dice Witch, 2009.  
Prince Castle LLC, Lettuce Kuttlet, 2009.  
Prince Castle LLC, Tomato Saber Operating Instructions, 1999.  
Vollrath, Onion King Operator's Manual, 2014.

\* cited by examiner

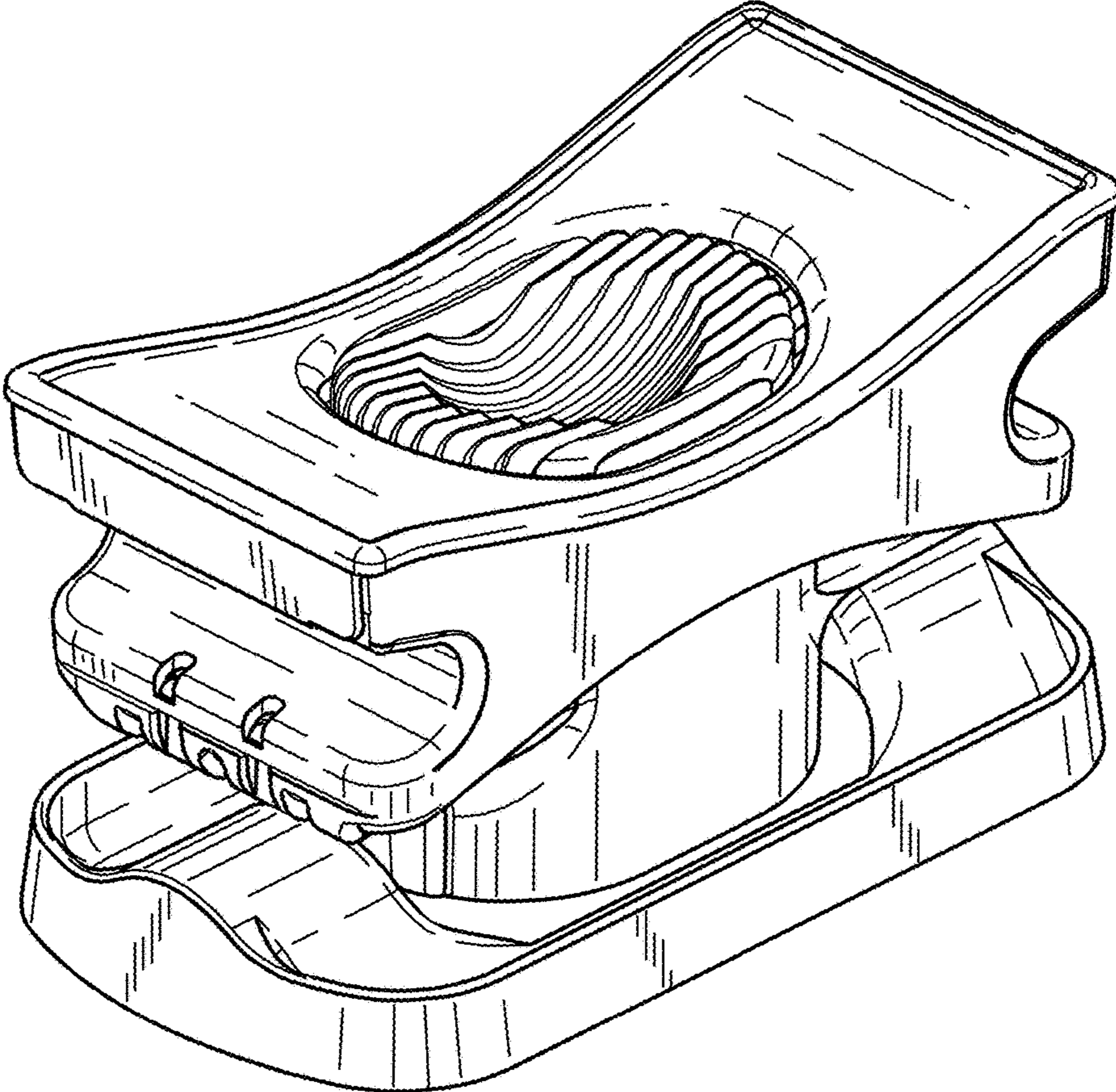


FIG. 1

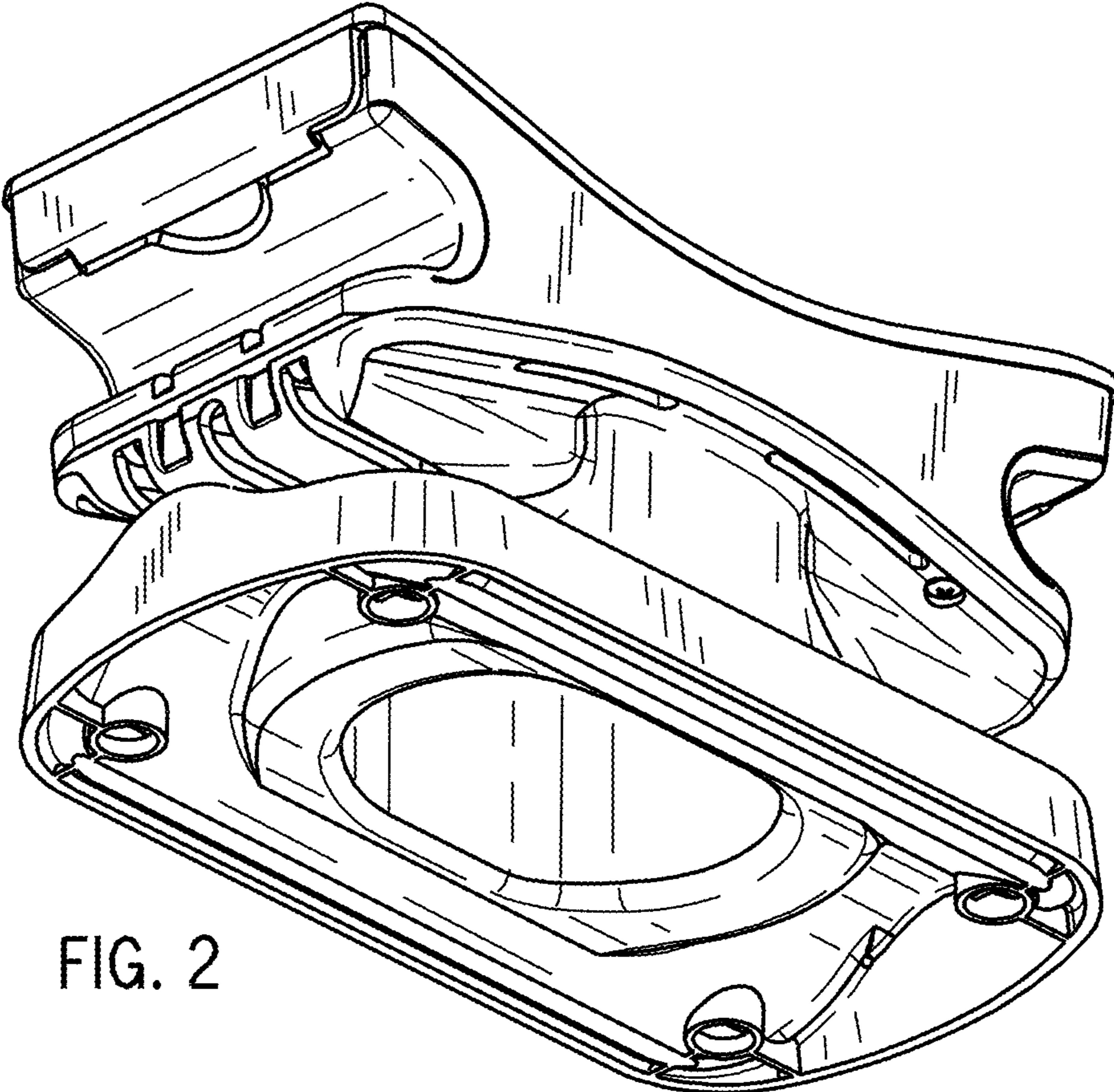


FIG. 2

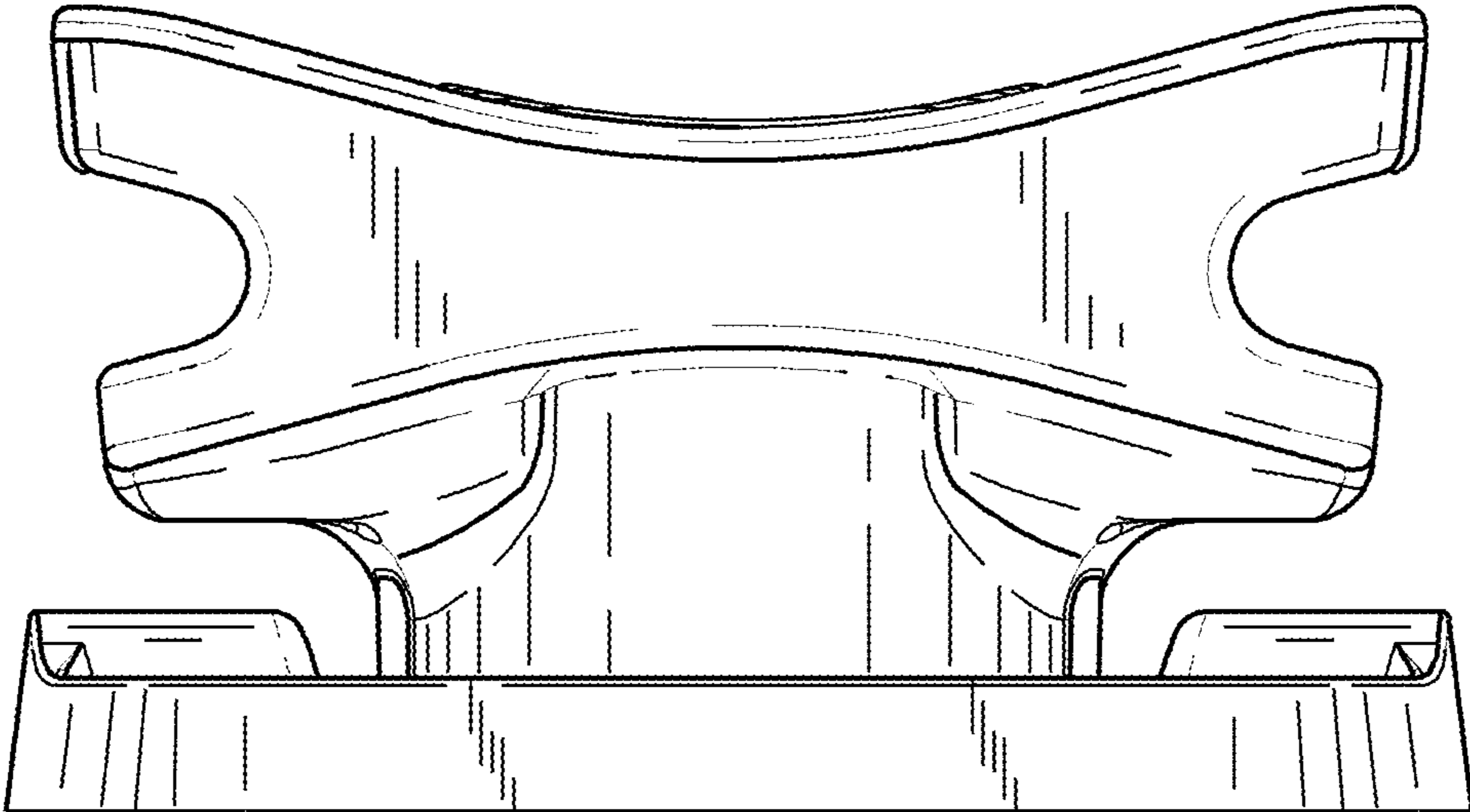


FIG. 3

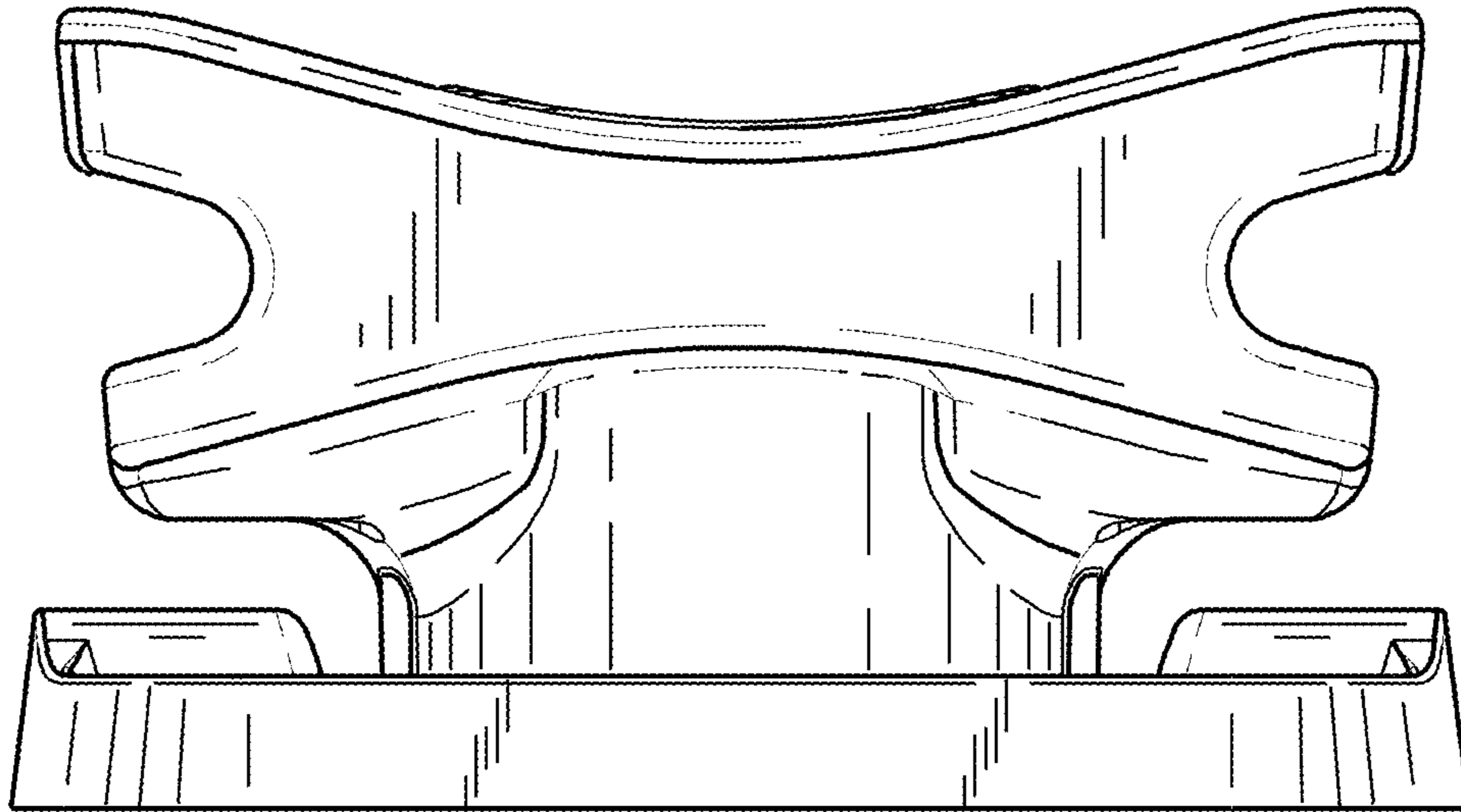


FIG. 4

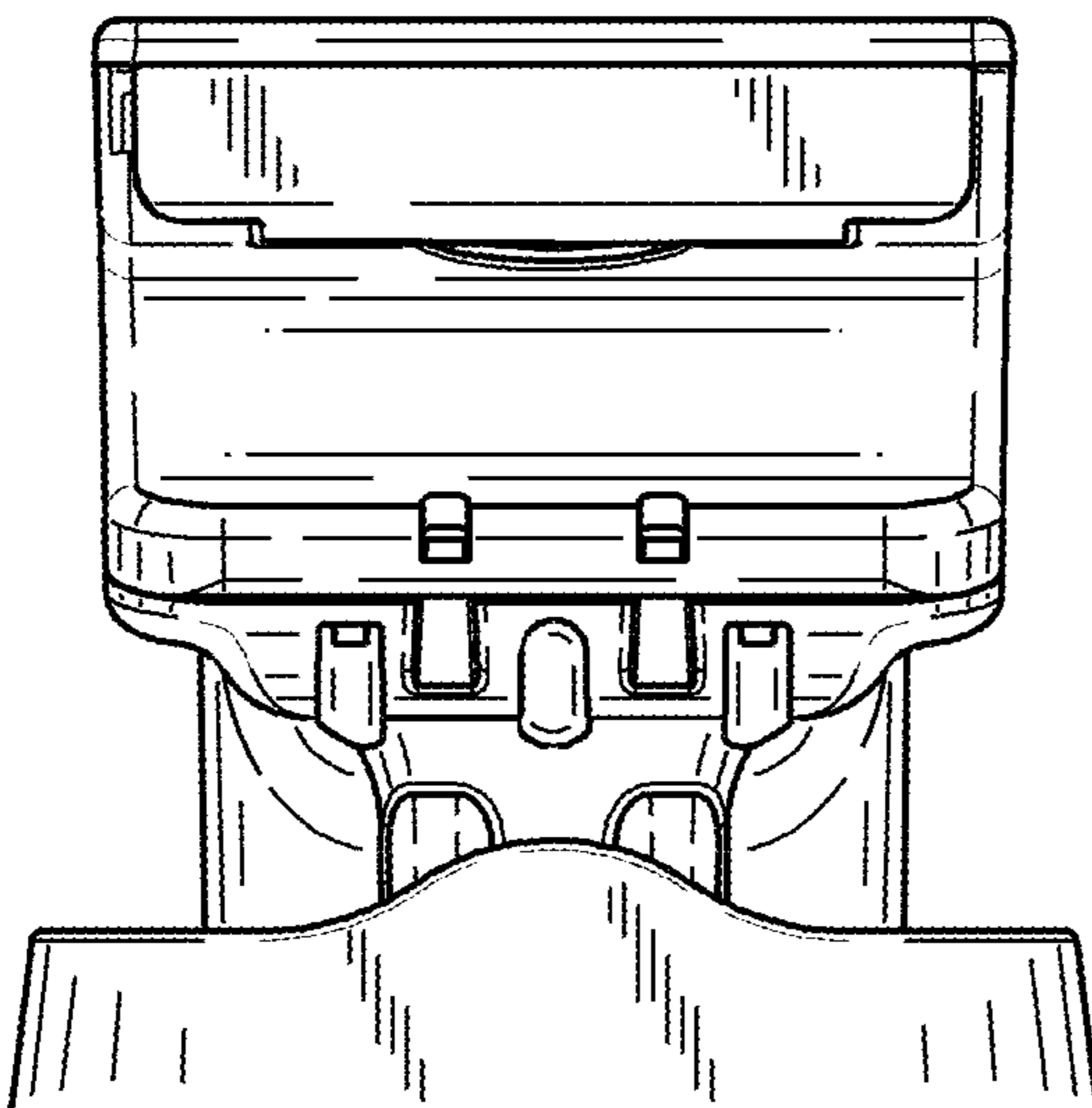


FIG. 5

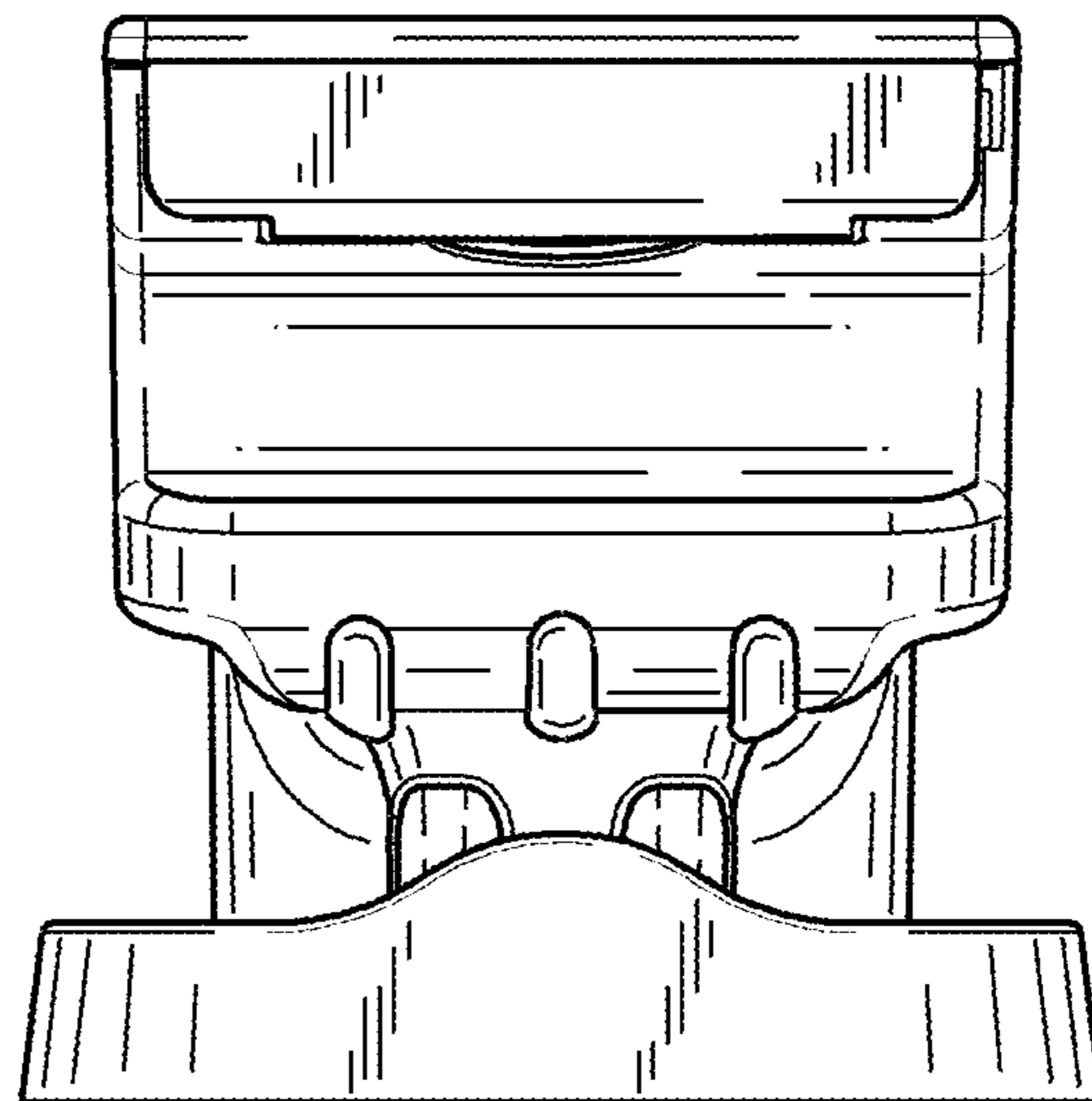


FIG. 6

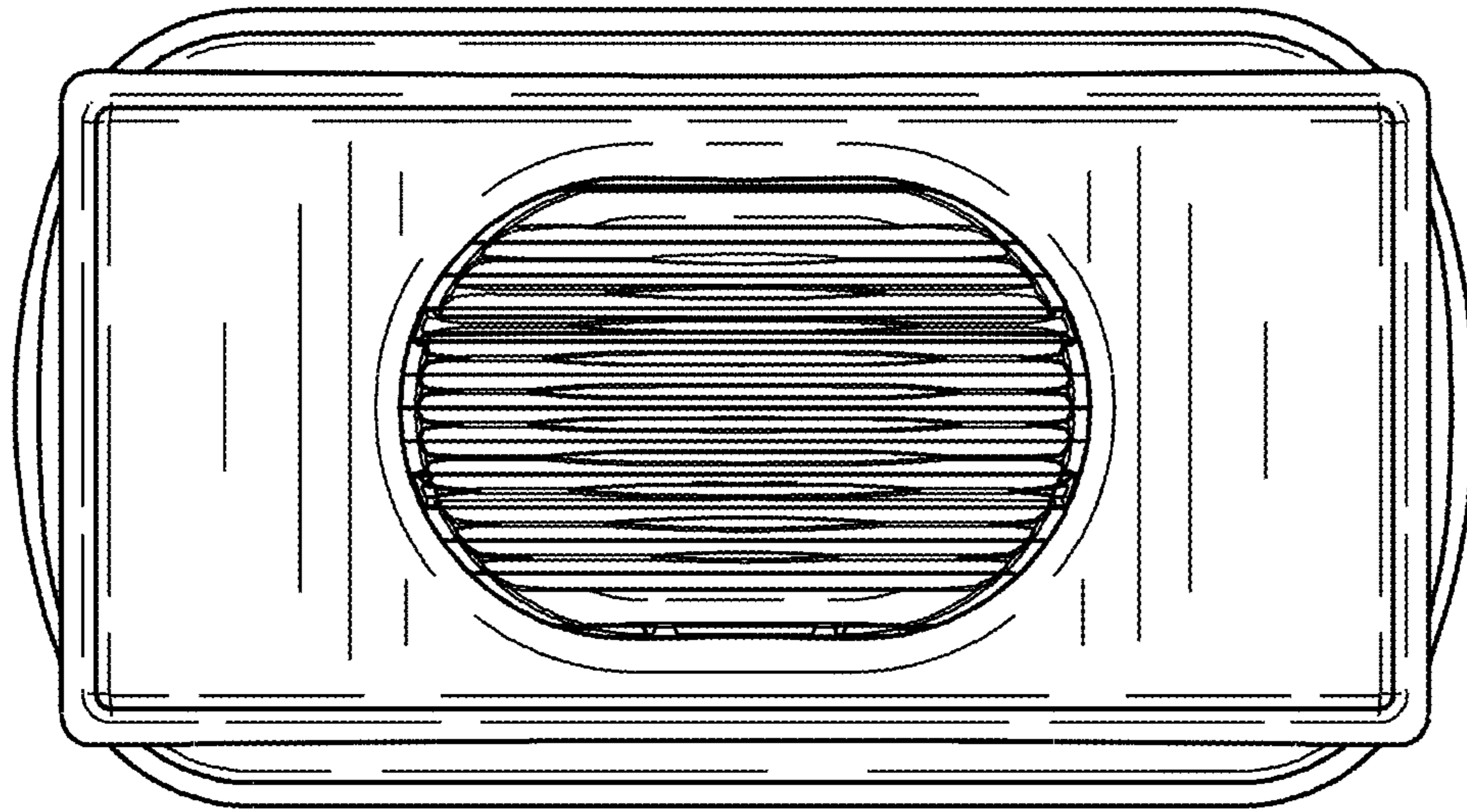


FIG. 7

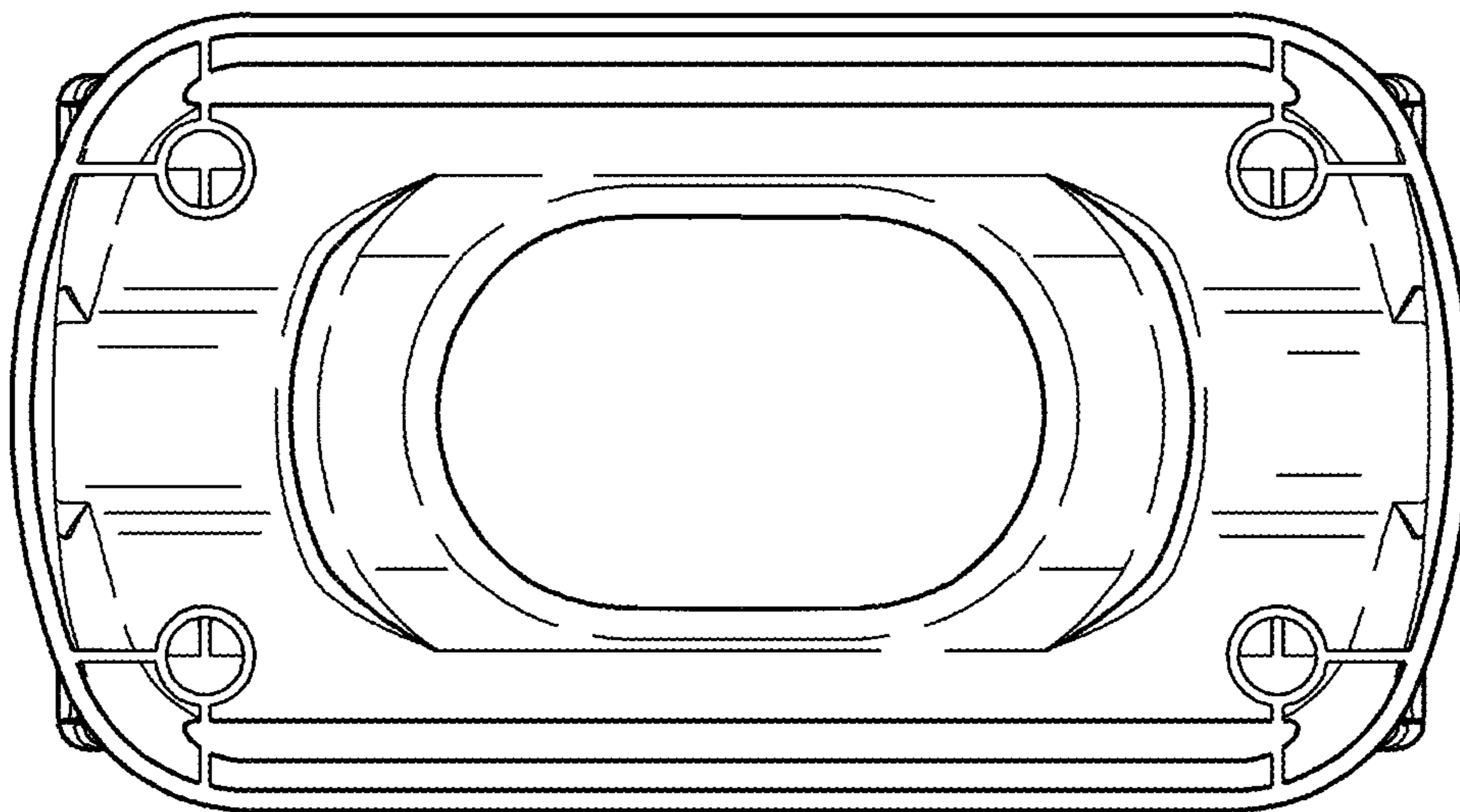


FIG. 8